

US00D598236S

(12) **United States Design Patent**
Dyson et al.

(10) **Patent No.:** **US D598,236 S**

(45) **Date of Patent:** **** Aug. 18, 2009**

(54) **TOASTER**

(75) Inventors: **James Dyson**, Malmesbury (GB); **Peter David Gammack**, Malmesbury (GB); **Christopher Michael Kawomera Nyonyintono**, Malmesbury (GB); **Gordon James Howes**, Malmesbury (GB)

(73) Assignee: **Dyson Limited**, Malmesbury (GB)

(**) Term: **14 Years**

(21) Appl. No.: **29/333,360**

(22) Filed: **Mar. 6, 2009**

(30) **Foreign Application Priority Data**

Sep. 16, 2008 (GB) 4008924

(51) **LOC (9) Cl.** **07-02**

(52) **U.S. Cl.** **D7/328**

(58) **Field of Classification Search** D7/323, D7/328-333, 340-341, 346, 354-365, 367, D7/385, 390, 402, 405-411; D13/158, 162, D13/162.1, 163; 99/326, 331-332, 357, 99/375, 385-386, 392; 219/214, 388, 392, 219/405, 443.1, 450.1, 492, 532; 426/233, 426/523

See application file for complete search history.

(56) **References Cited**

U.S. PATENT DOCUMENTS

- 1,820,885 A * 8/1931 Le Vine 99/392
- 1,831,561 A 11/1931 Harris
- D105,779 S * 8/1937 Preston D7/328
- 2,131,278 A * 9/1938 Gough 99/385
- 3,416,430 A * 12/1968 Hauser 99/332
- D276,207 S * 11/1984 Van Asten D7/328
- 4,487,115 A 12/1984 Su
- 4,736,896 A 4/1988 Wagner
- 4,936,515 A 6/1990 Poag et al.
- 4,971,259 A 11/1990 Nidiffer
- 4,974,751 A 12/1990 King

- 5,172,868 A 12/1992 Midden
- 5,570,816 A 11/1996 LaBarbera, Jr.
- 5,632,449 A 5/1997 Sandolo
- 6,019,030 A * 2/2000 Kettman 99/386
- 6,267,044 B1 7/2001 Friel
- D475,234 S * 6/2003 Takase et al.
- 6,675,700 B2 1/2004 Hong
- 6,860,764 B2 3/2005 Khoury
- 7,189,945 B2 * 3/2007 Starr et al. 219/392
- 7,354,612 B2 * 4/2008 Friel, Sr. 426/233
- 2005/0178757 A1 8/2005 Starr

FOREIGN PATENT DOCUMENTS

- DE 7436237 8/1975
- EP 0153549 9/1985

(Continued)

OTHER PUBLICATIONS

International Search Report and Written Opinion mailed August 13, 2008 directed to related international application PCT/GB2008/000941; (13 pages).

(Continued)

Primary Examiner—Caron Veynar
Assistant Examiner—Ricky Pham
(74) *Attorney, Agent, or Firm*—Morrison & Foerster LLP

(57) **CLAIM**

We claim the ornamental design for a toaster, as shown and described.

DESCRIPTION

FIG. 1 is a front perspective view of a toaster showing our new design;

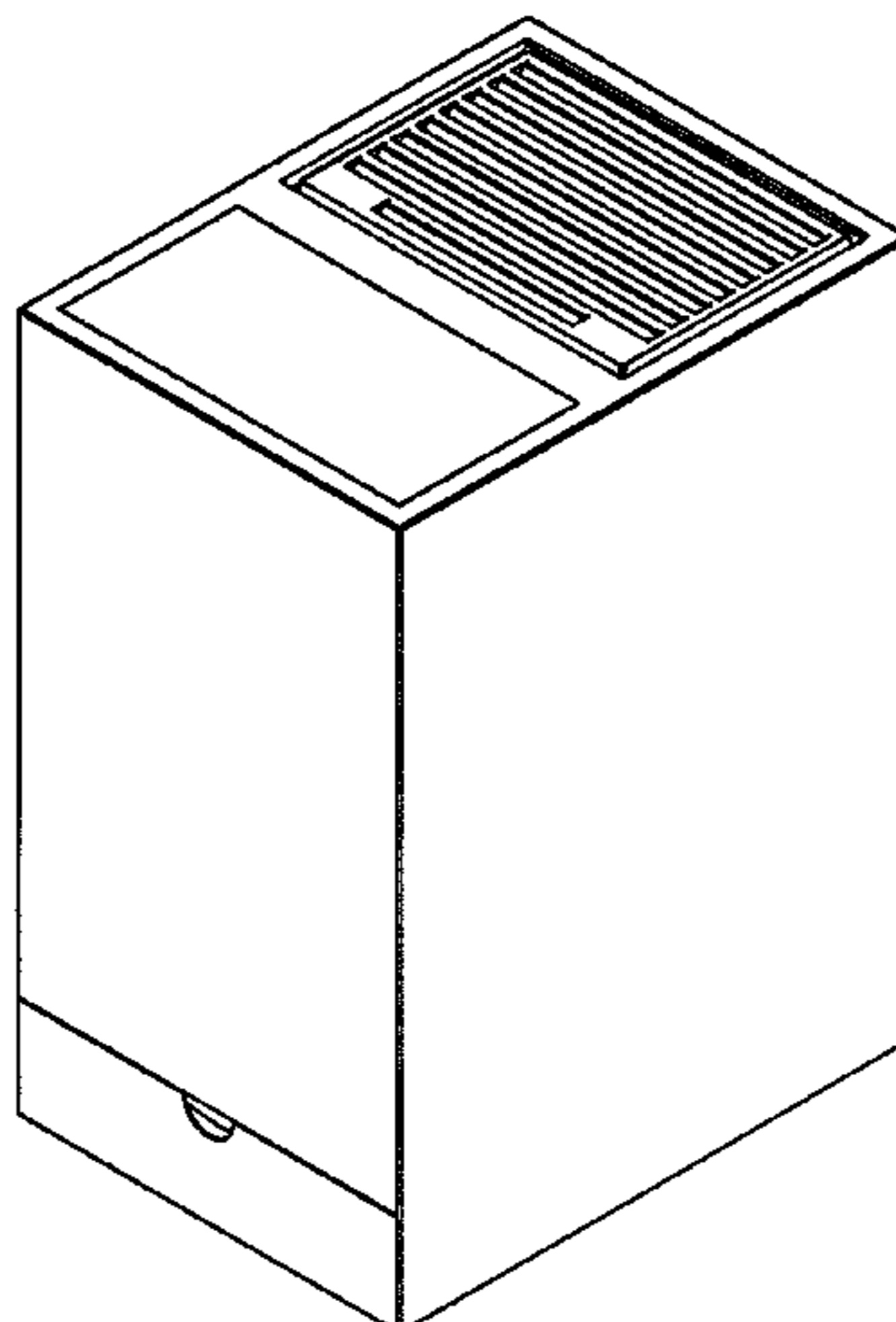
FIG. 2 is a front perspective view of the design of FIG. 1 showing the extension of a door from the front thereof;

FIG. 3 is a front view thereof; and,

FIG. 4 is a top plan view thereof.

The broken lines shown in the drawings are for illustrative purposes only and form no part of the claimed design.

1 Claim, 4 Drawing Sheets



FOREIGN PATENT DOCUMENTS

EP	0236549	9/1987
EP	0736279	10/1996
EP	0804894	11/1997
EP	0864510	9/1998
EP	1323367	7/2003
EP	1493366	1/2005
FR	2544185	10/1984
GB	2253178	9/1992
JP	59-55157	3/1984
RU	2076573	4/1997
SU	1540776	12/1987
WO	WO-00/27262 A1	5/2000
WO	WO-01/48711	7/2001
WO	WO-01/52704 A1	7/2001
WO	WO-2004/105184	12/2004

OTHER PUBLICATIONS

GB Search Report, dated Feb. 1, 2008, directed to related GB Application No. GB0720147.8; (1 page).

GB Search Report, dated Jul. 16, 2007, directed to related GB Application No. GB0705363.0; (1 page).

GB Search Report, dated Aug. 30, 2007, directed to related GB Application No. GB0705363.0; (2 pages).

International Search Report and Written Opinion mailed Mar. 20, 2009 directed to related international application PCT/GB2008/003267; (10 pages).

GB Search Report, dated Apr. 10, 2008, directed to related GB Application No. GB0723541.9; (1 page).

GB Search Report, dated Feb. 26, 2009, directed to related GB Application No. GB0820141.0; (1 page).

International Search Report and Written Opinion mailed Mar. 20, 2009 directed to related international application PCT/GB2008/003266; (10 pages).

GB Search Report, dated Feb. 14, 2008, directed to related GB Application No. GB0720132.0; (1 page).

* cited by examiner

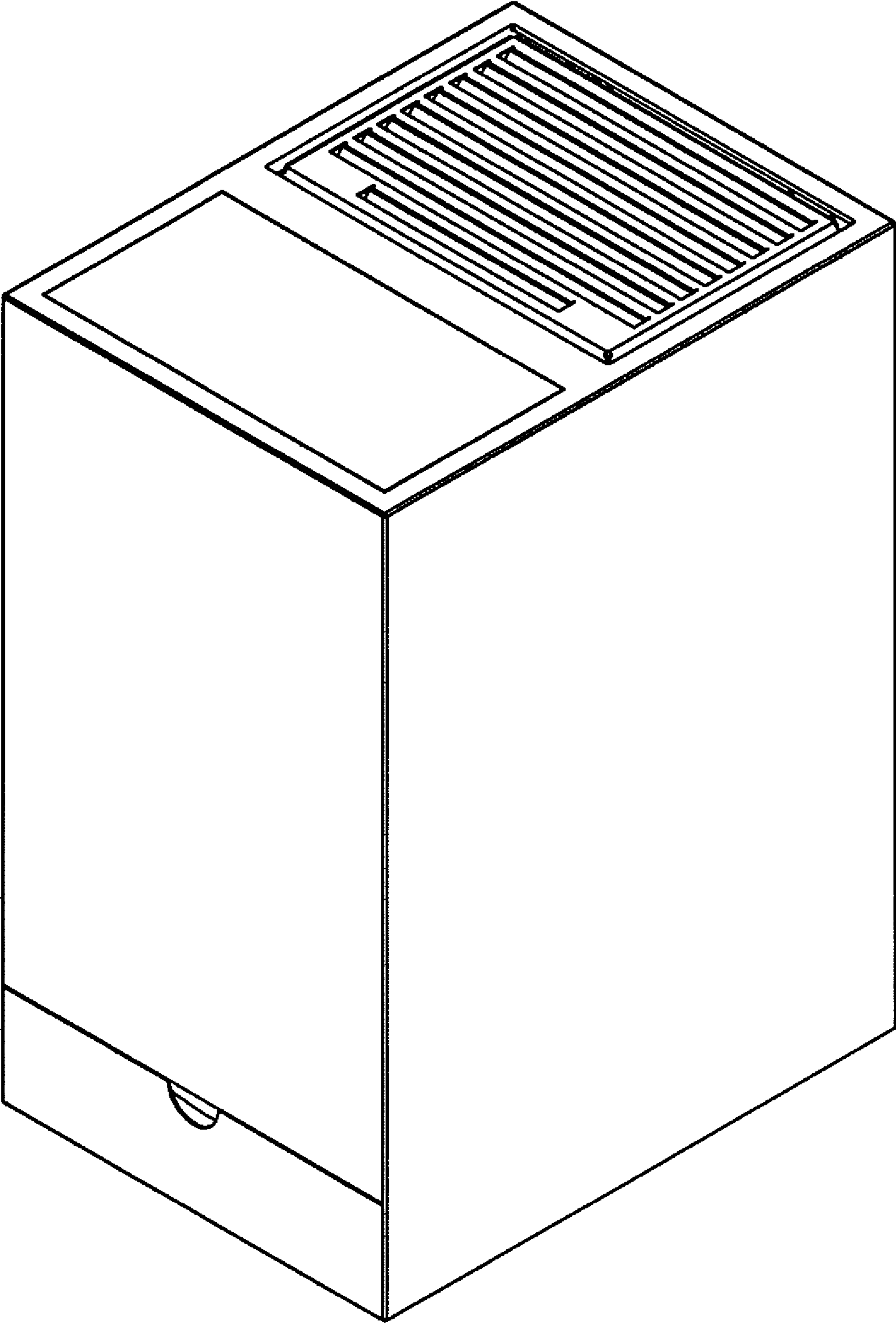


FIG. 1

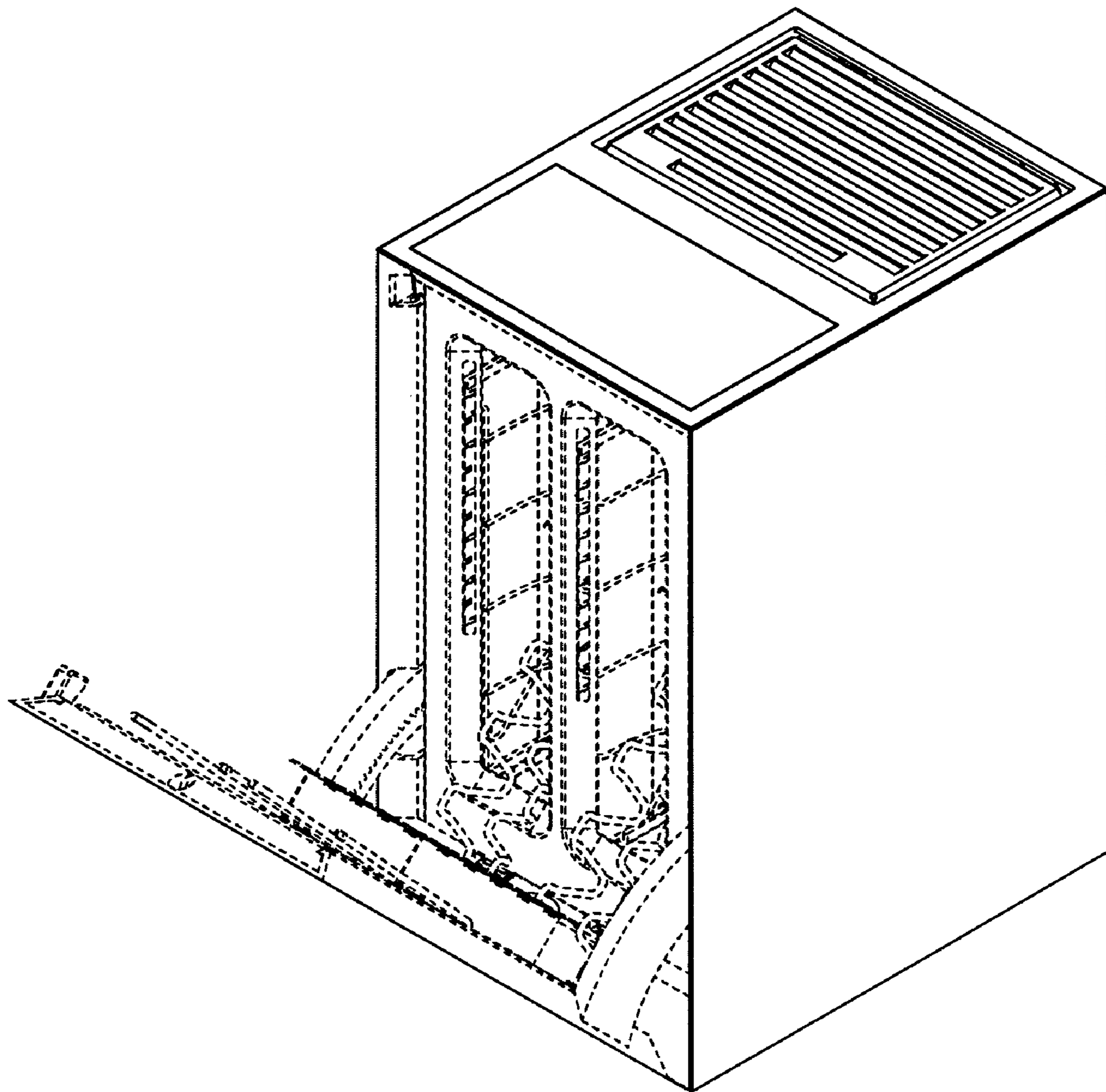


FIG. 2

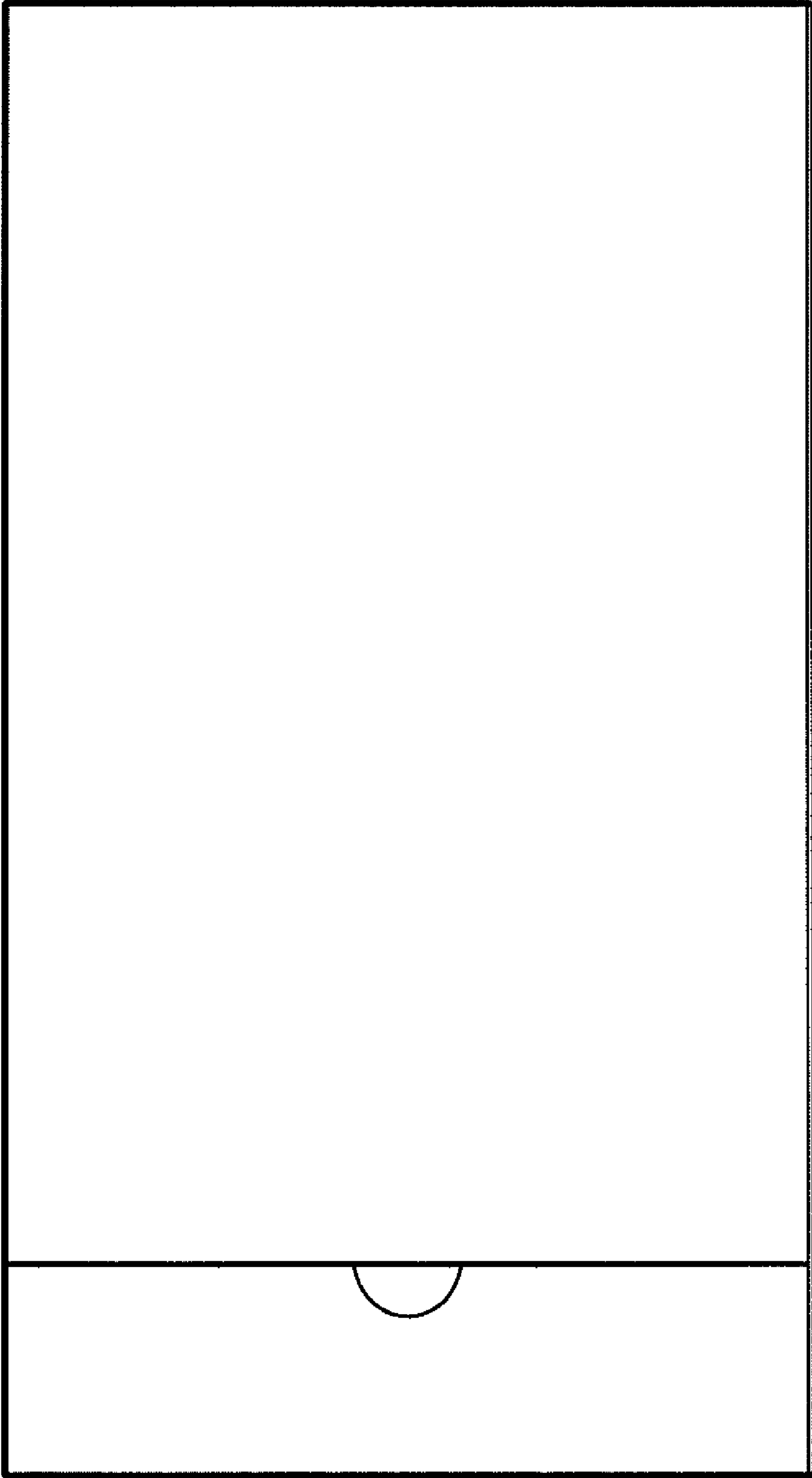


FIG. 3

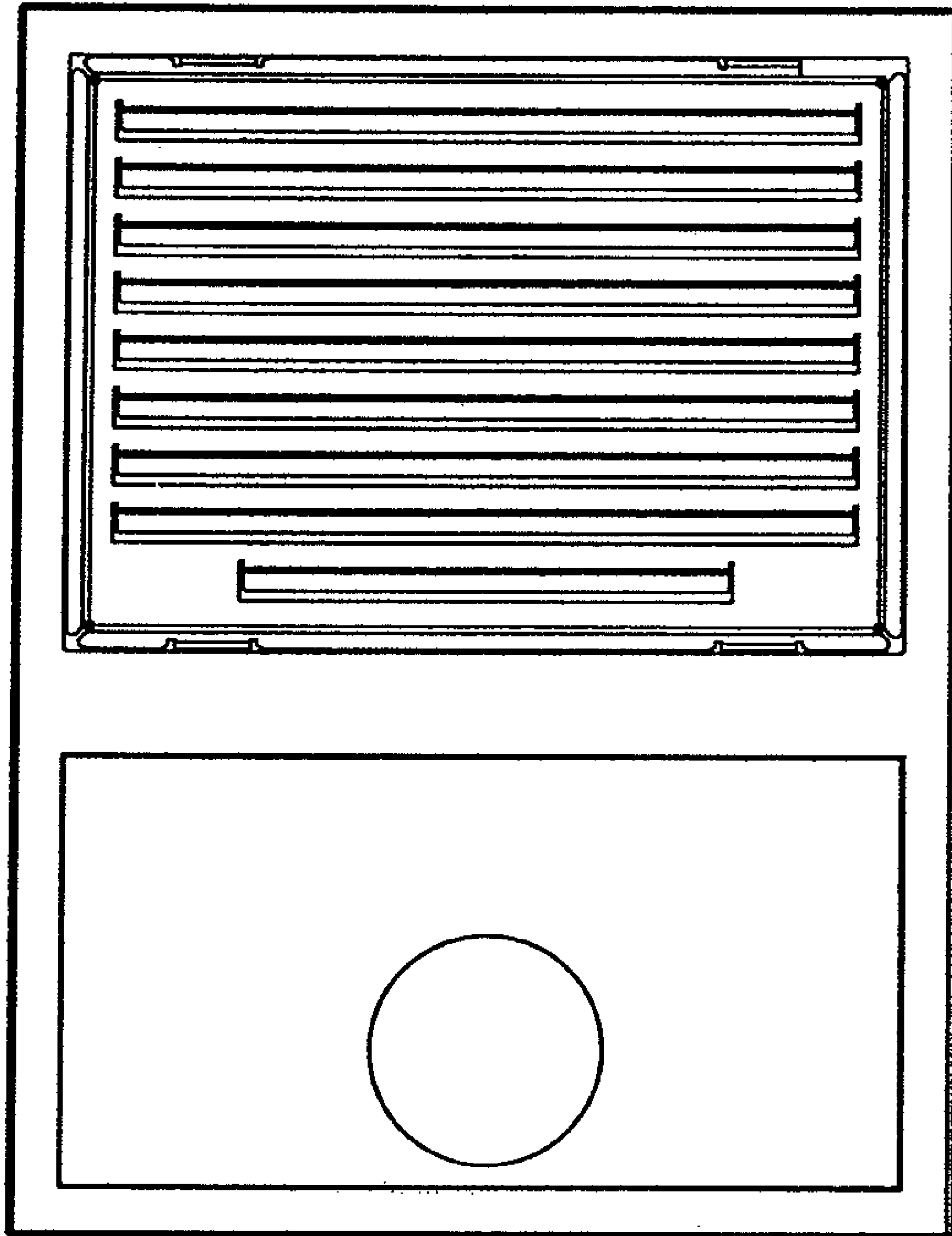


FIG. 4