



US00D598235S

(12) **United States Design Patent**
Cozolino

(10) **Patent No.:** **US D598,235 S**

(45) **Date of Patent:** **** Aug. 18, 2009**

(54) **TEA POT**

(75) **Inventor:** **Steven Cozolino**, New York, NY (US)

(73) **Assignee:** **Meyer Intellectual Properties Limited**
(VG)

(**) **Term:** **14 Years**

(21) **Appl. No.:** **29/301,651**

(22) **Filed:** **Mar. 10, 2008**

(51) **LOC (9) Cl.** **07-01**

(52) **U.S. Cl.** **D7/322; D7/321; D7/319;**
D7/317

(58) **Field of Classification Search** D7/300,
D7/312-322; 222/466, 468, 469; 220/318;
99/317

See application file for complete search history.

(56) **References Cited**

U.S. PATENT DOCUMENTS

4,385,585 A * 5/1983 Lebowitz 116/67 R
D274,595 S * 7/1984 Lebowitz D7/322
D282,810 S * 3/1986 Urich D7/322

D361,692 S * 8/1995 Lee D7/322
D497,511 S * 10/2004 Lebowitz D7/322
D502,838 S * 3/2005 Ancona D7/321
D524,590 S * 7/2006 Bodum D7/321
D541,100 S * 4/2007 Lebowitz D7/322

* cited by examiner

Primary Examiner—Marianne Pandozzi

(74) *Attorney, Agent, or Firm*—Edward S. Sherman

(57) **CLAIM**

The ornamental design for a tea pot, as shown and described.

DESCRIPTION

FIG. 1 is a perspective view of a tea pot showing my new design;

FIG. 2 is a top plan view thereof;

FIG. 3 is a front elevation thereof;

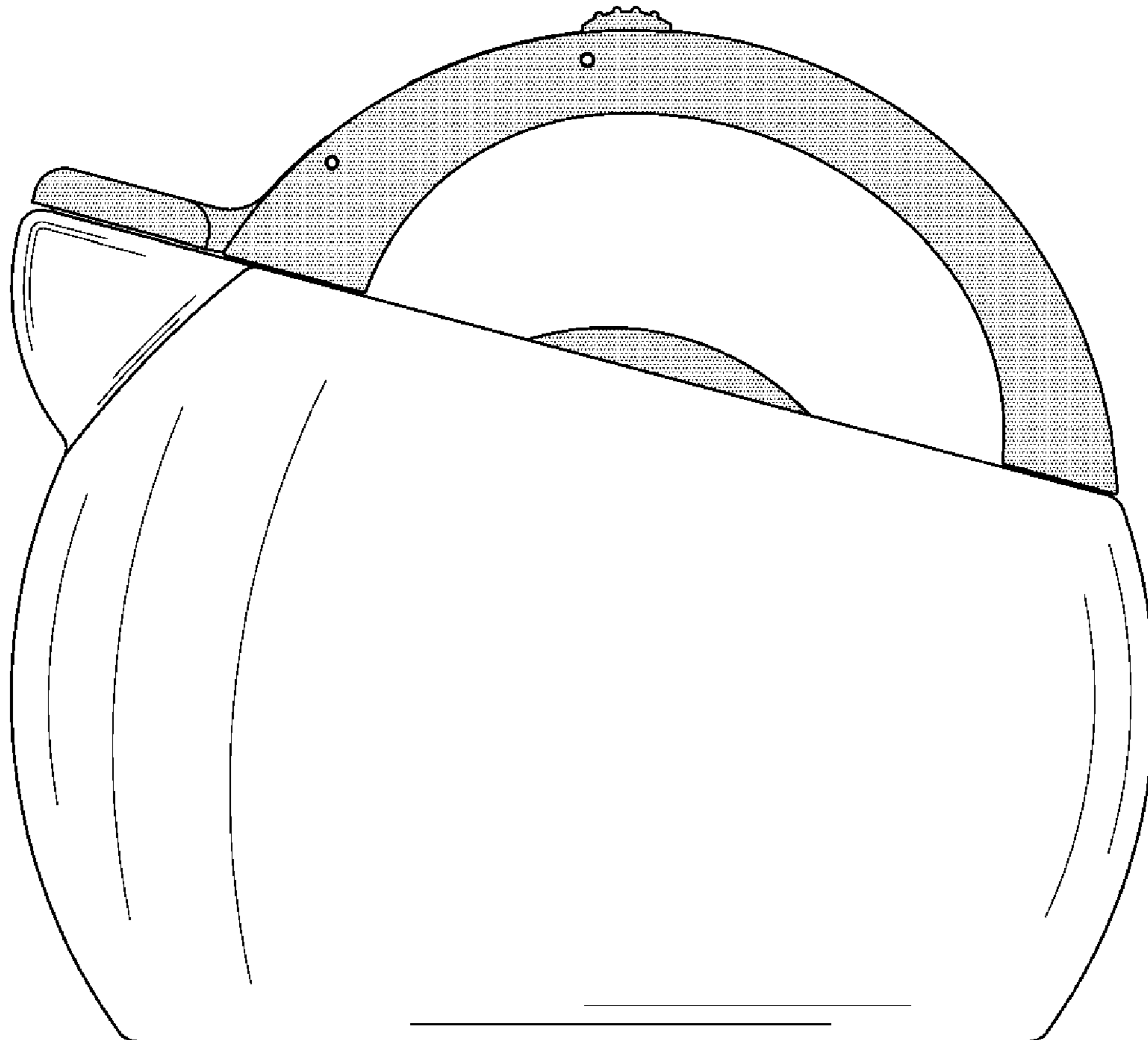
FIG. 4 is a right side elevational view thereof;

FIG. 5 is a bottom plan view thereof;

FIG. 6 is a rear elevational view thereof; and,

FIG. 7 is another perspective view thereof.

1 Claim, 7 Drawing Sheets



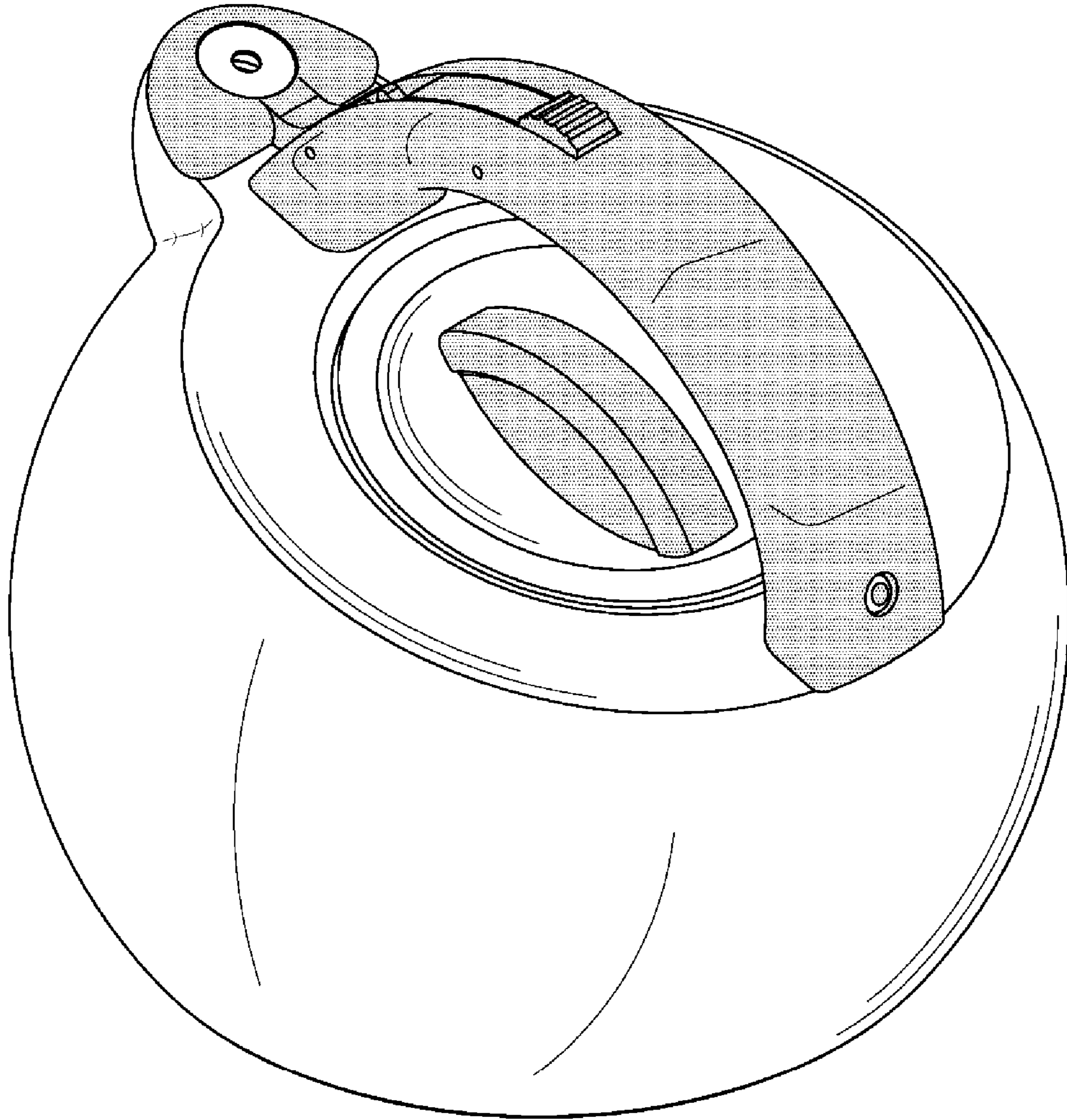


FIG. 1

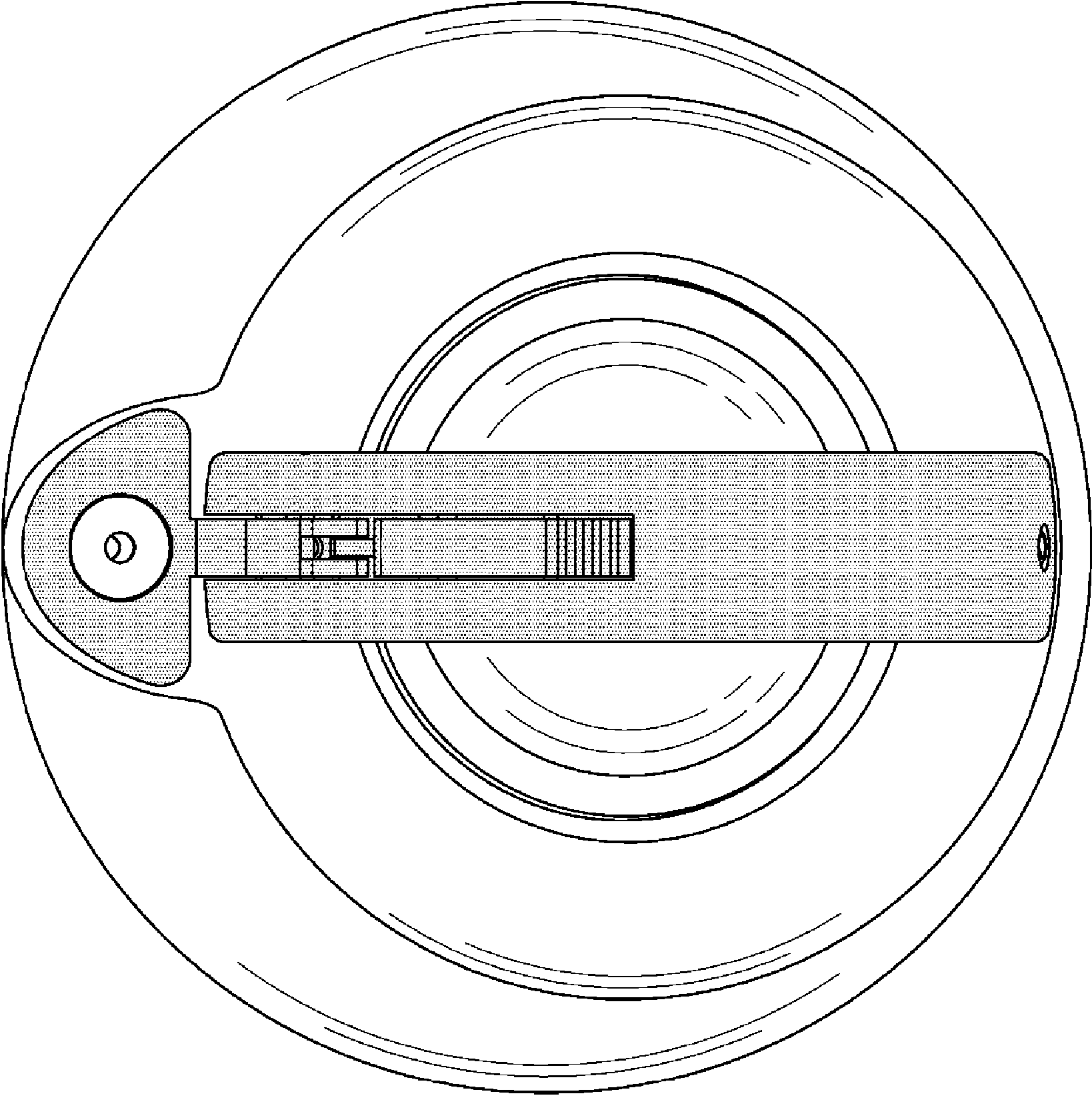


FIG. 2

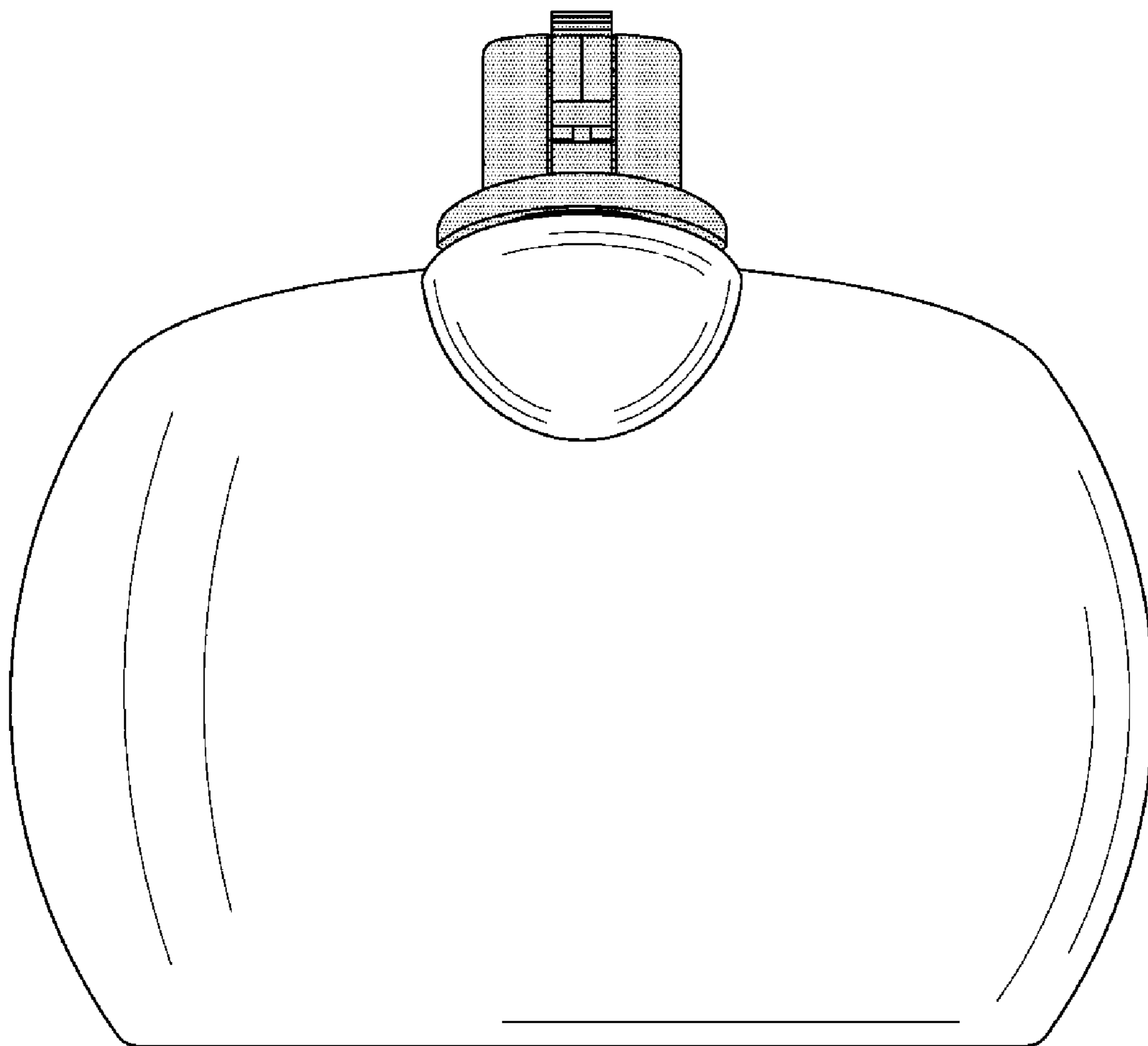


FIG. 3

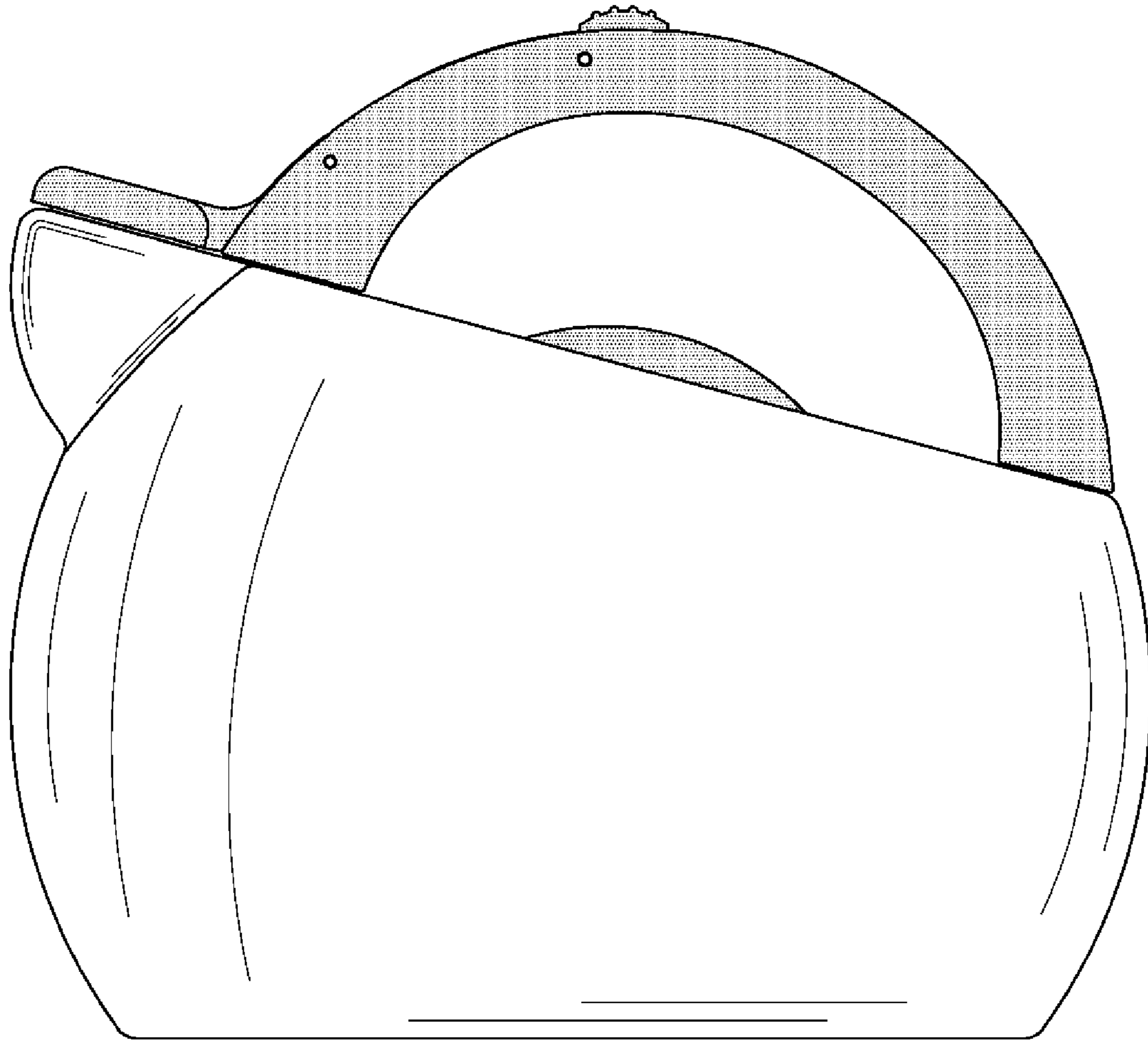


FIG. 4

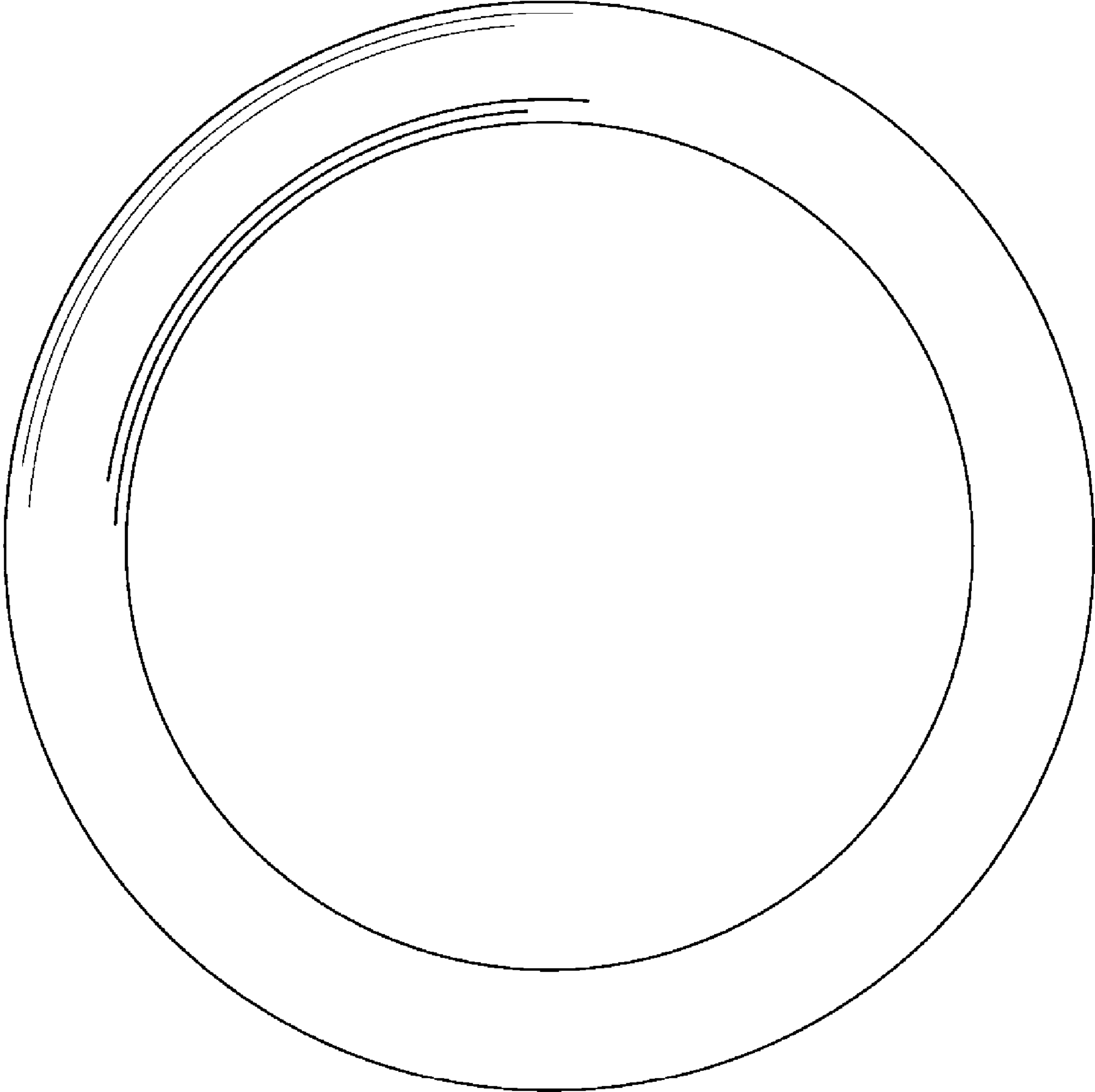


FIG. 5

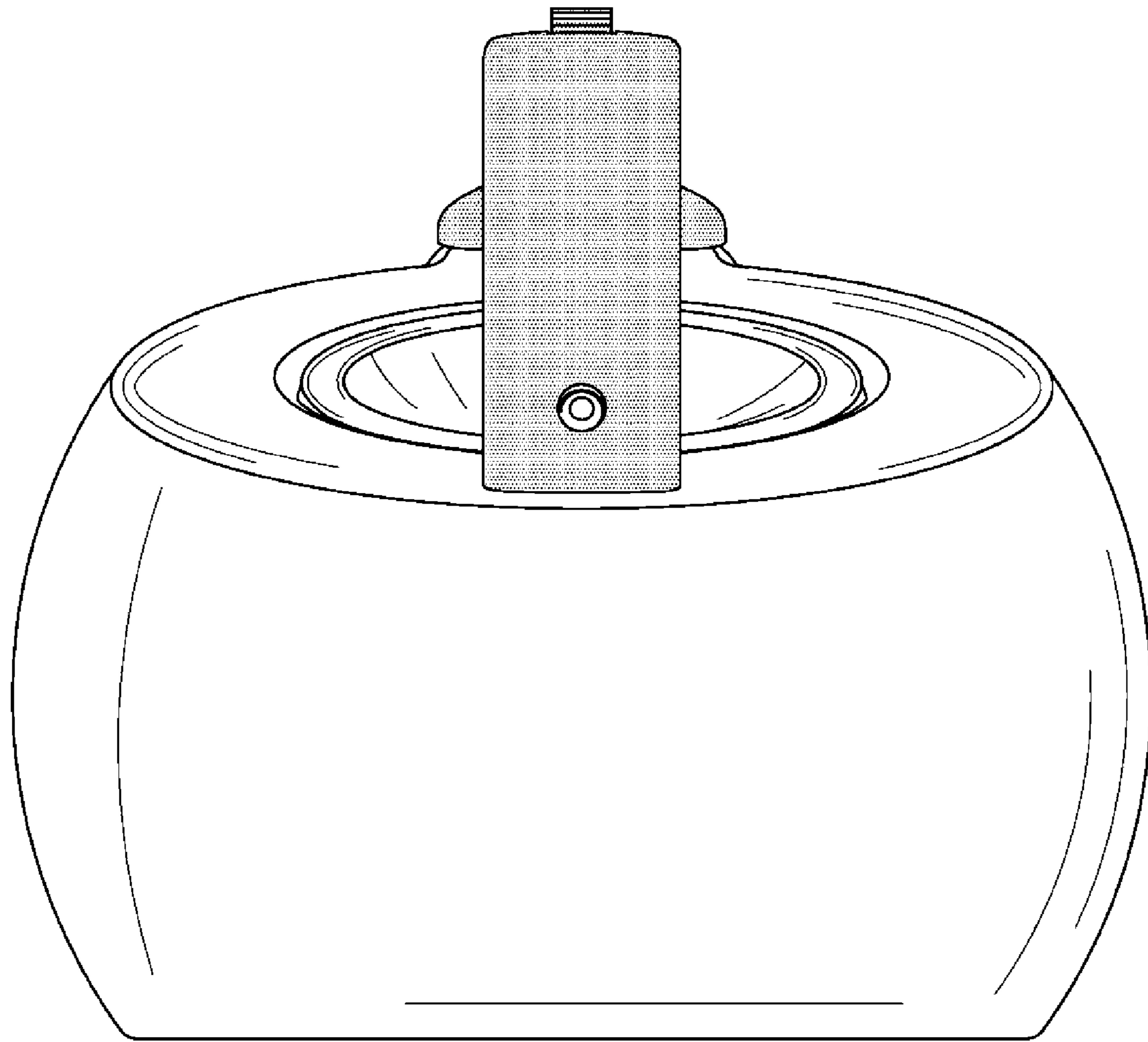


FIG. 6

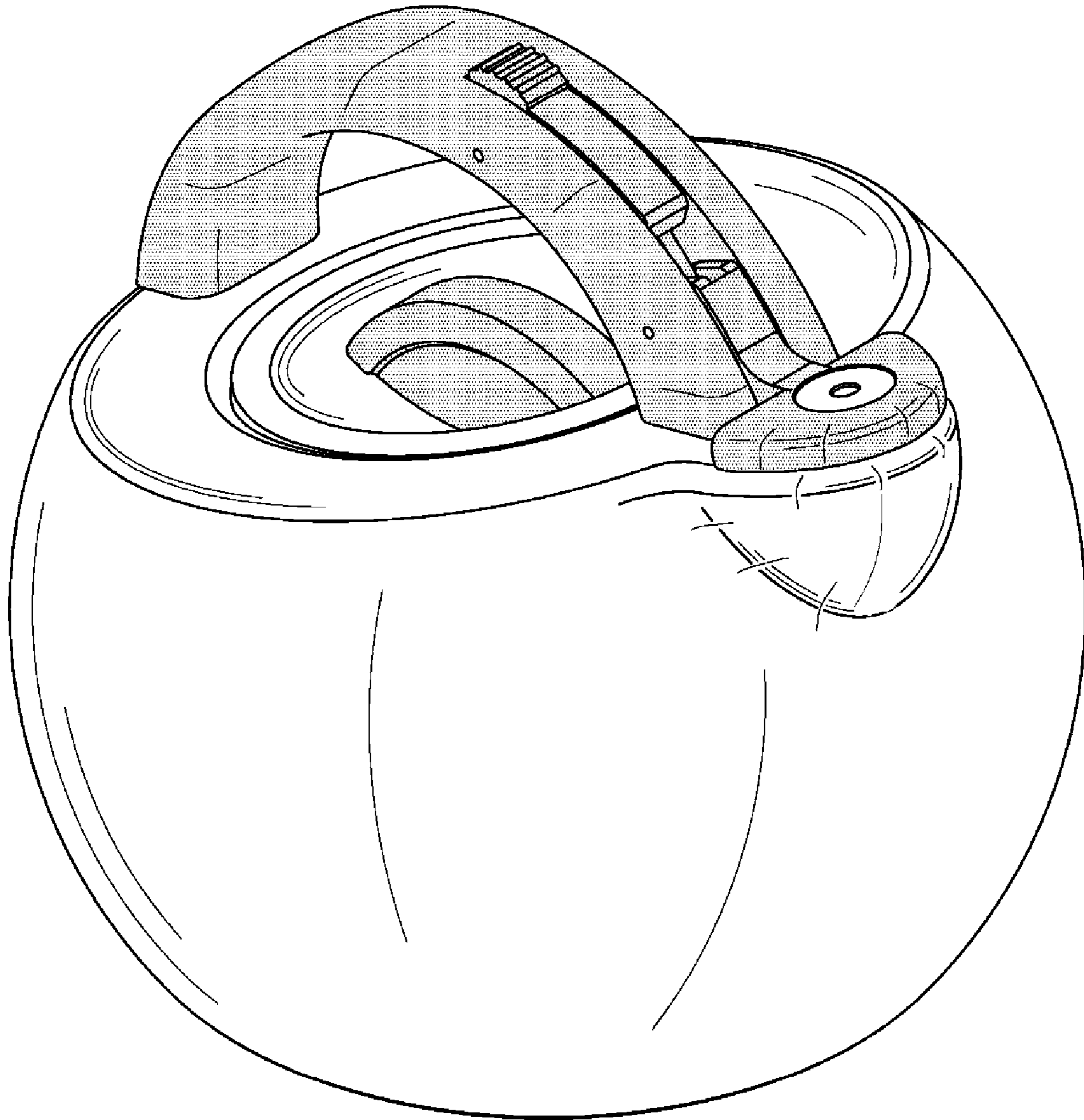


FIG. 7