



US00D598234S

(12) **United States Design Patent**
Bodum

(10) **Patent No.:** **US D598,234 S**

(45) **Date of Patent:** **** Aug. 18, 2009**

(54) **ICE TEA JUG**

(75) Inventor: **Jørgen Bodum**, Meggen (CH)

(73) Assignee: **Pi-Design, AG**, Triengen (CH)

(**) Term: **14 Years**

(21) Appl. No.: **29/297,914**

(22) Filed: **Nov. 21, 2007**

(30) **Foreign Application Priority Data**

May 21, 2007 (DK) DA 2007 00129

(51) **LOC (9) Cl.** **07-01**

(52) **U.S. Cl.** **D7/319; D7/317**

(58) **Field of Classification Search** D7/300,
D7/316-319, 598, 600, 400; 99/322, 279,
99/295; 222/129.1-129.4

See application file for complete search history.

(56) **References Cited**

U.S. PATENT DOCUMENTS

D124,880 S *	1/1941	Feunisz	D9/500
D137,943 S *	5/1944	Schlumbohm	D7/318
D199,994 S *	1/1965	Smity	D7/598
3,739,932 A *	6/1973	Westover	215/396
D231,685 S *	5/1974	Beckman	D7/317
D240,887 S *	8/1976	Daenen	D7/316
3,985,069 A *	10/1976	Cavalluzzi	99/295
D250,804 S *	1/1979	Nilsson	D7/400
D450,521 S *	11/2001	Joergensen	D7/319
D471,767 S *	3/2003	Ucar Cortes et al.	D7/598
D524,599 S *	7/2006	Bodum	D7/400
D530,968 S *	10/2006	Bodum	D7/300.1

D536,205 S *	2/2007	Jensen et al.	D7/316
D555,416 S *	11/2007	Bodum	D7/317
D567,005 S *	4/2008	Bodum	D7/316
D580,696 S *	11/2008	Bodum	D7/316
D580,697 S *	11/2008	Bodum	D7/316
D585,232 S *	1/2009	Bodum	D7/319
D585,233 S *	1/2009	Bodum	D7/319

* cited by examiner

Primary Examiner—Marianne Pandozzi

(74) *Attorney, Agent, or Firm*—Cowan, Liebowitz & Latman, PC

(57) **CLAIM**

The ornamental design for a ice tea jug, as shown and described.

DESCRIPTION

FIG. 1 is a perspective view of a first embodiment of the ice tea jug showing my design thereof;

FIG. 2 is a front view thereof;

FIG. 3 is a back view thereof;

FIG. 4 is a right side view thereof;

FIG. 5 is a left side view thereof;

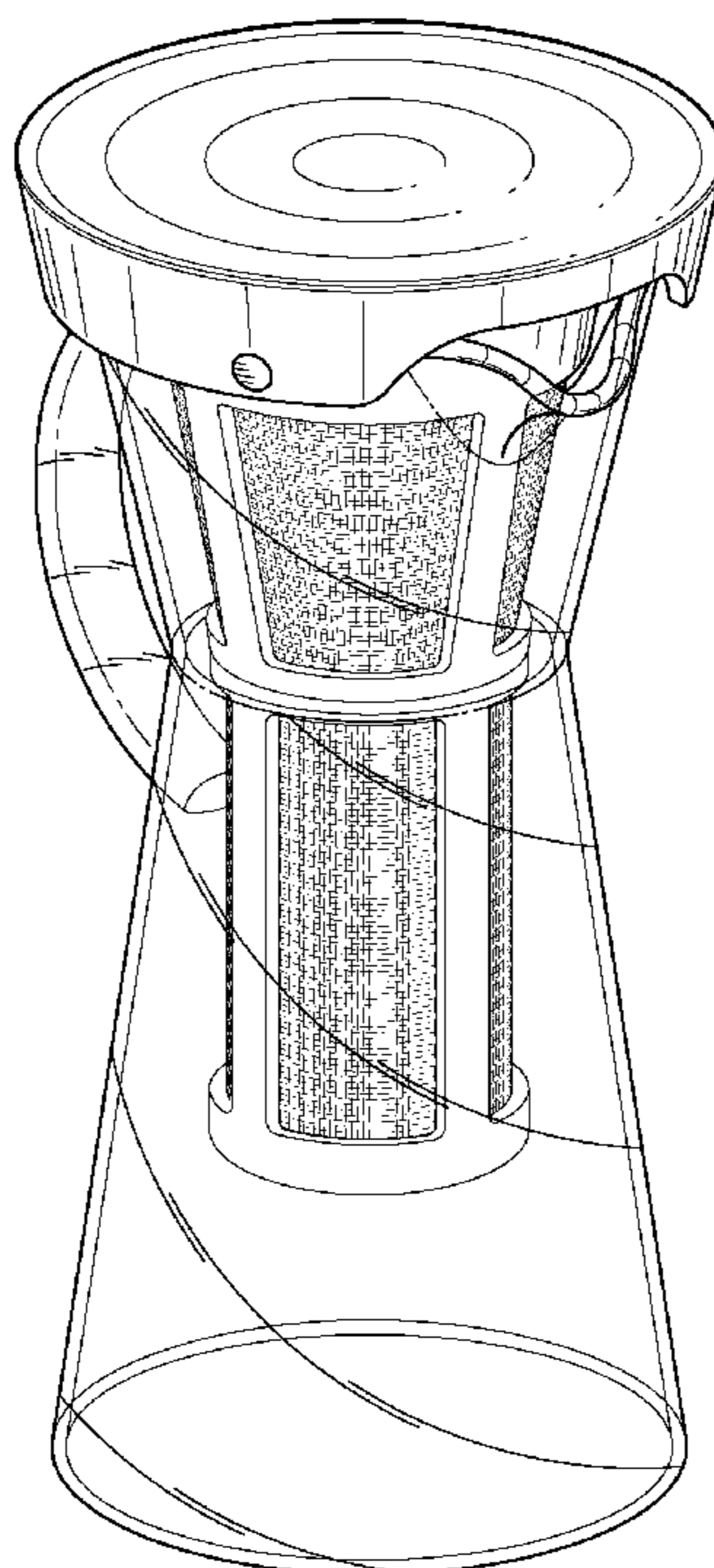
FIG. 6 is a top view thereof;

FIG. 7 is a bottom view thereof; and,

FIG. 8 is a cross-sectional view thereof taken along line 8—8 of FIG. 6.

The broken line showing of the mesh areas is included for the purpose of illustrating a mesh configuration and forms no part of the claimed design.

1 Claim, 8 Drawing Sheets



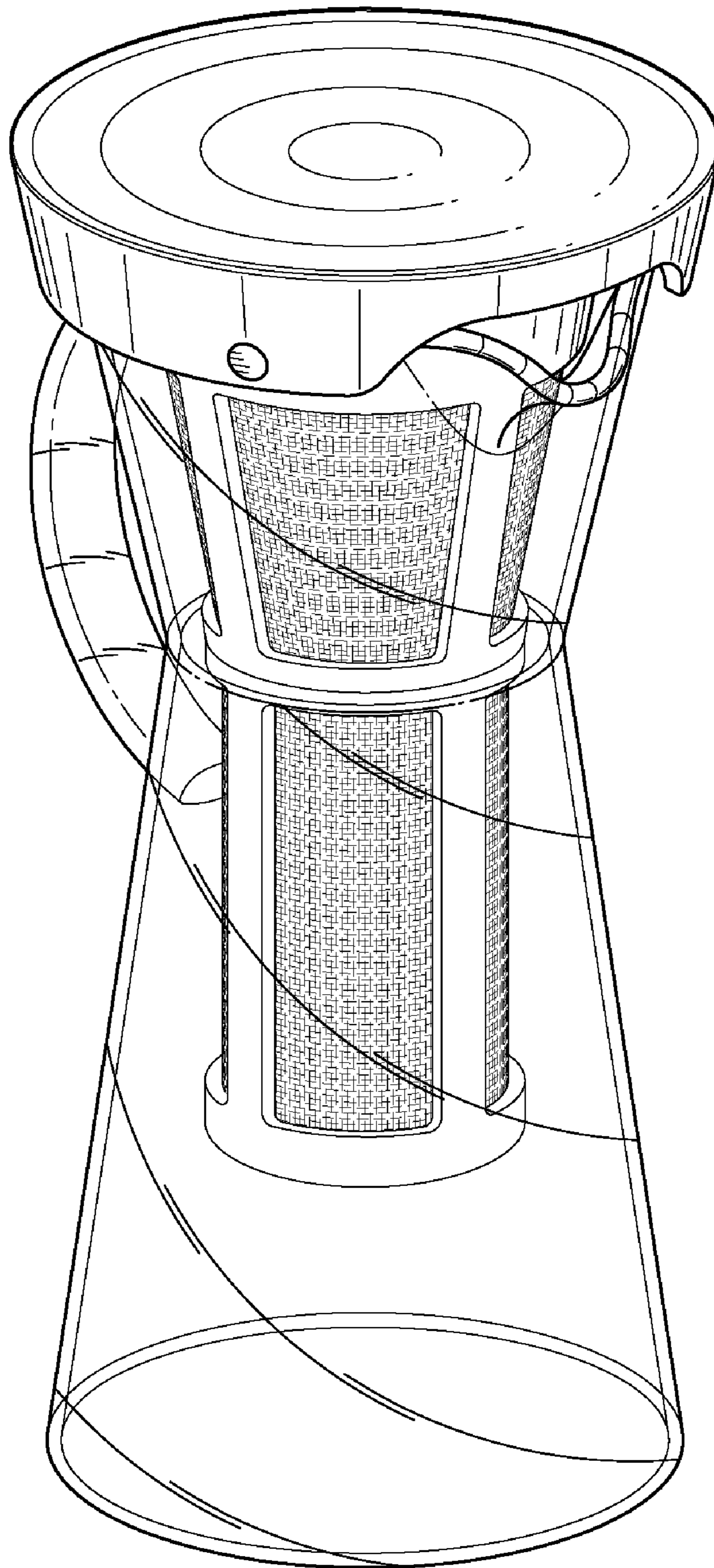


FIG. 1

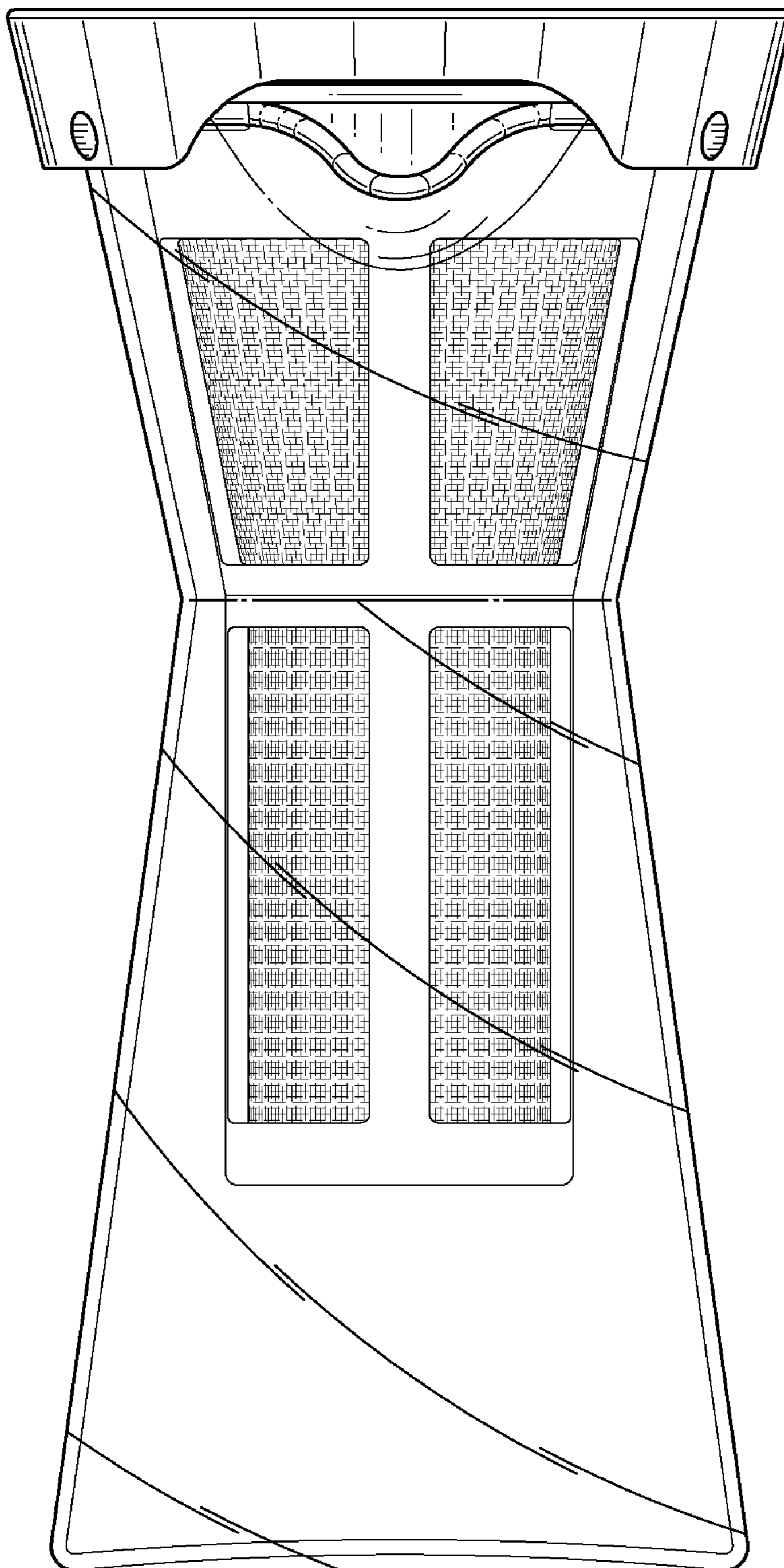


FIG. 2

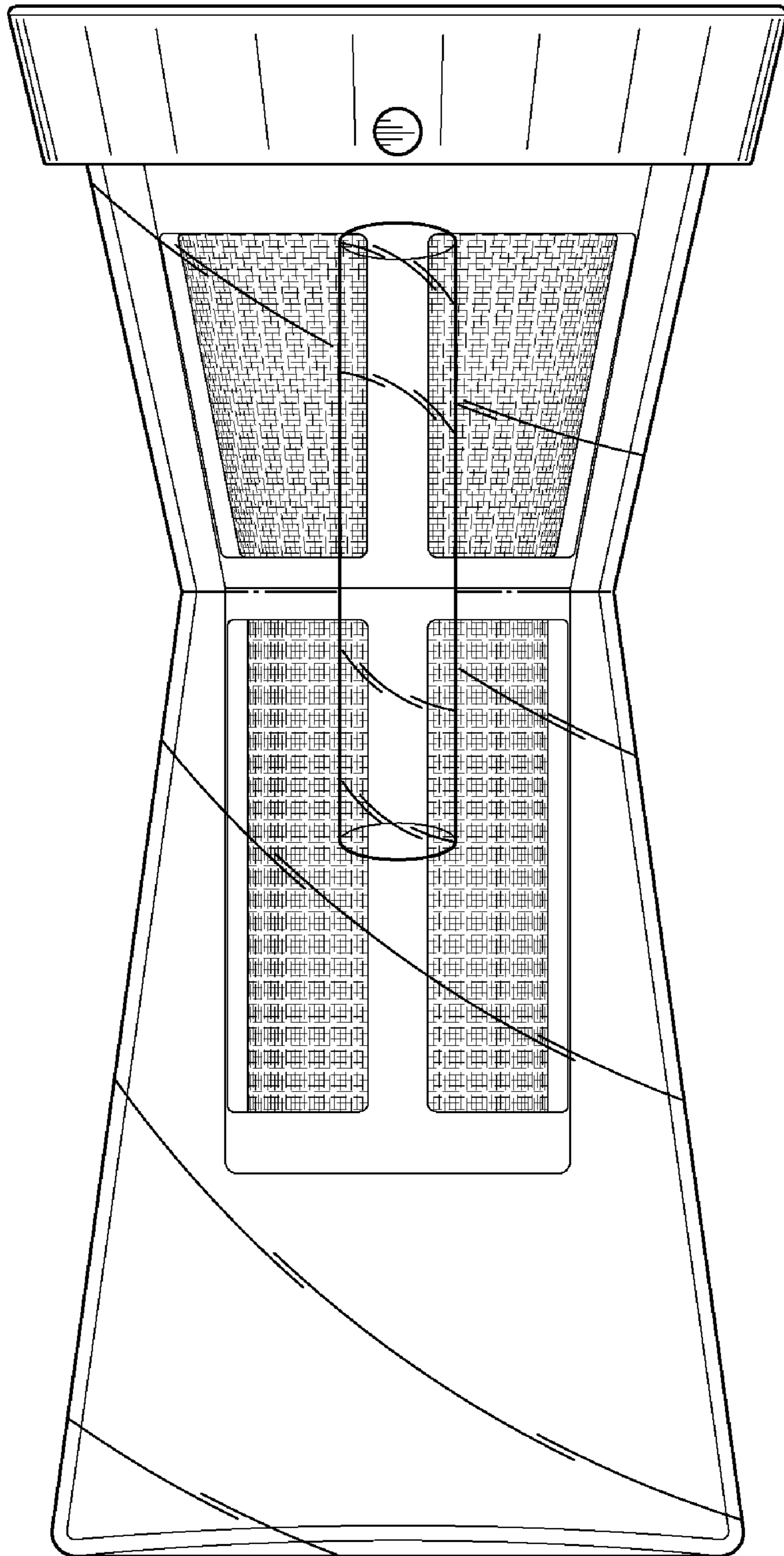


FIG. 3

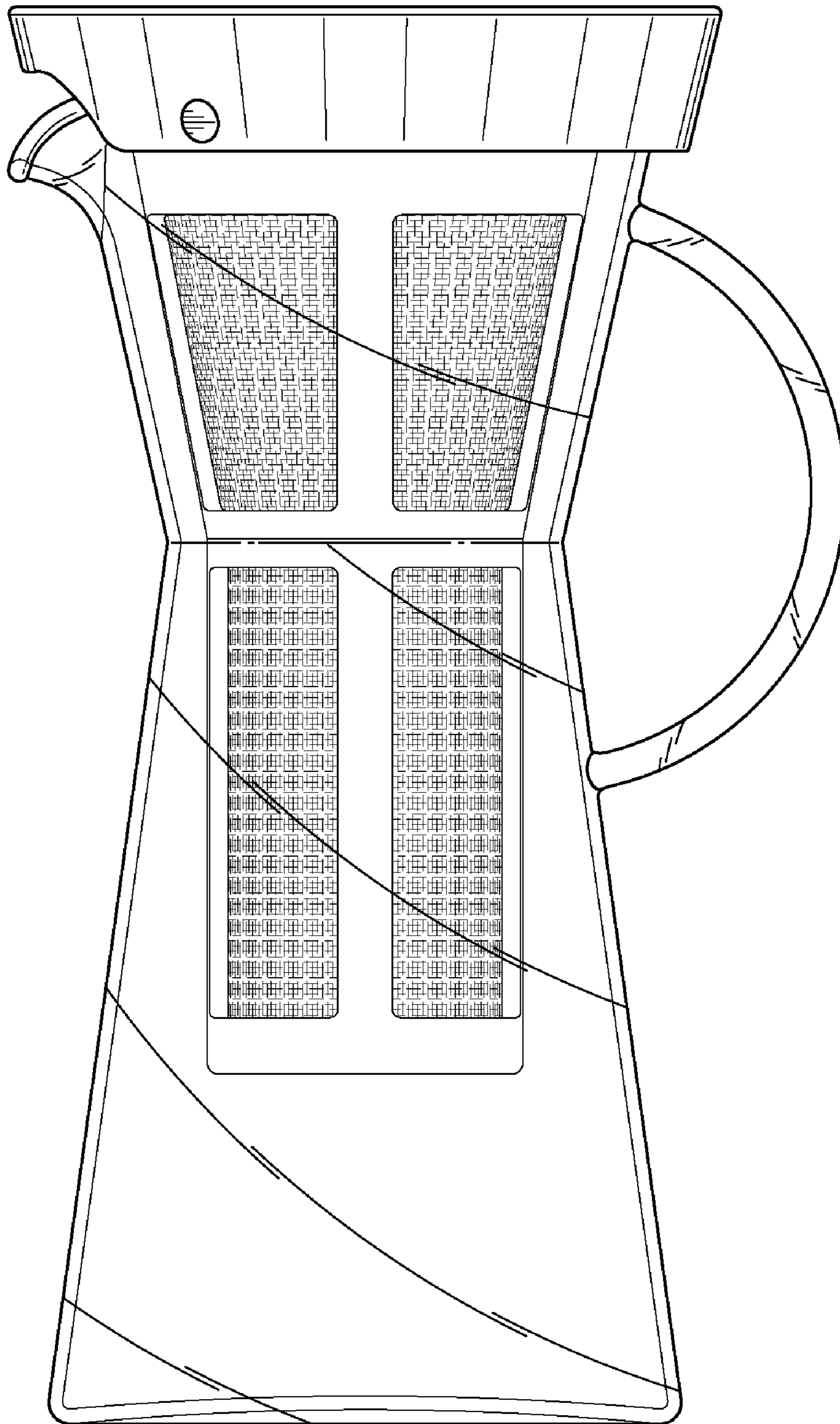


FIG. 4

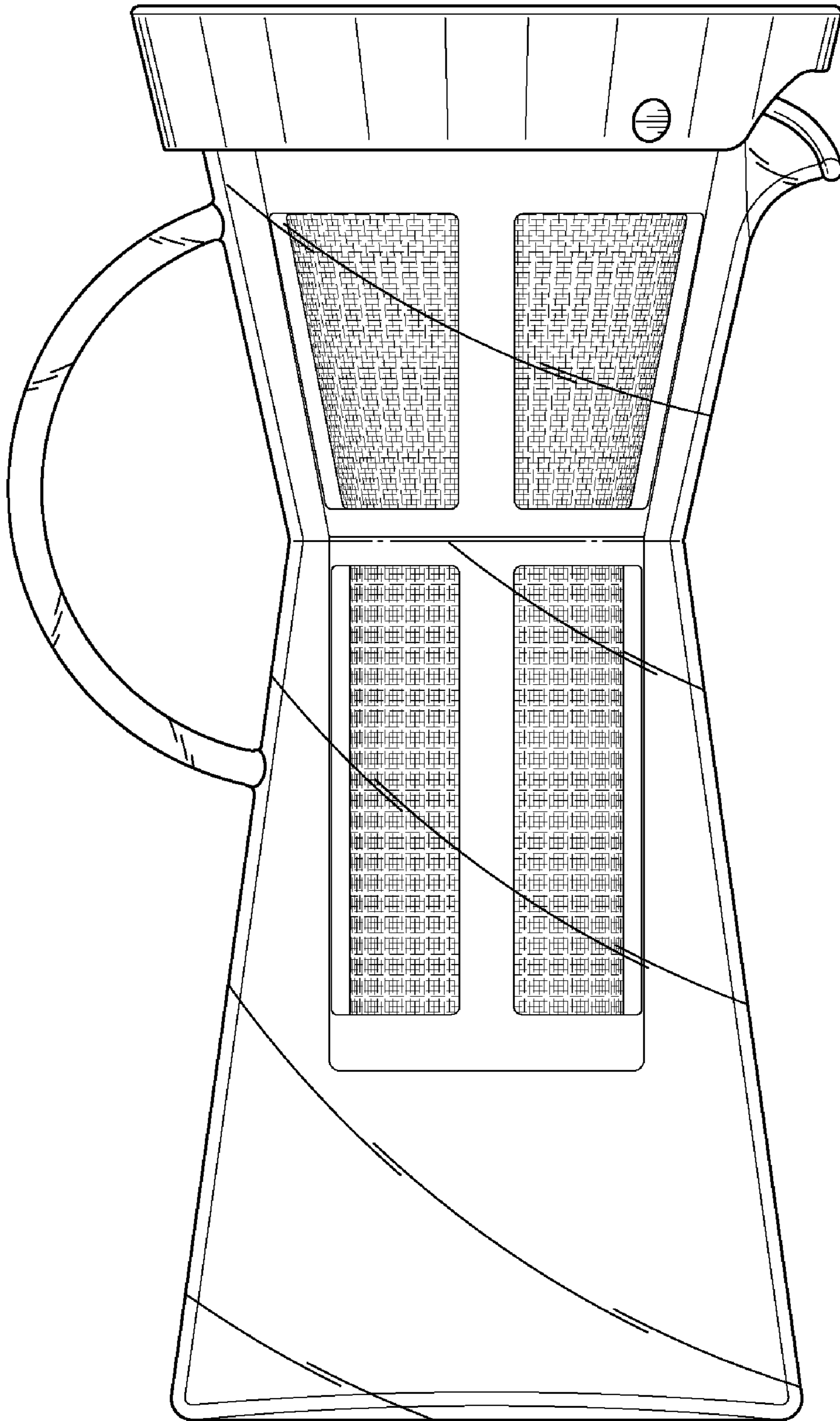


FIG. 5

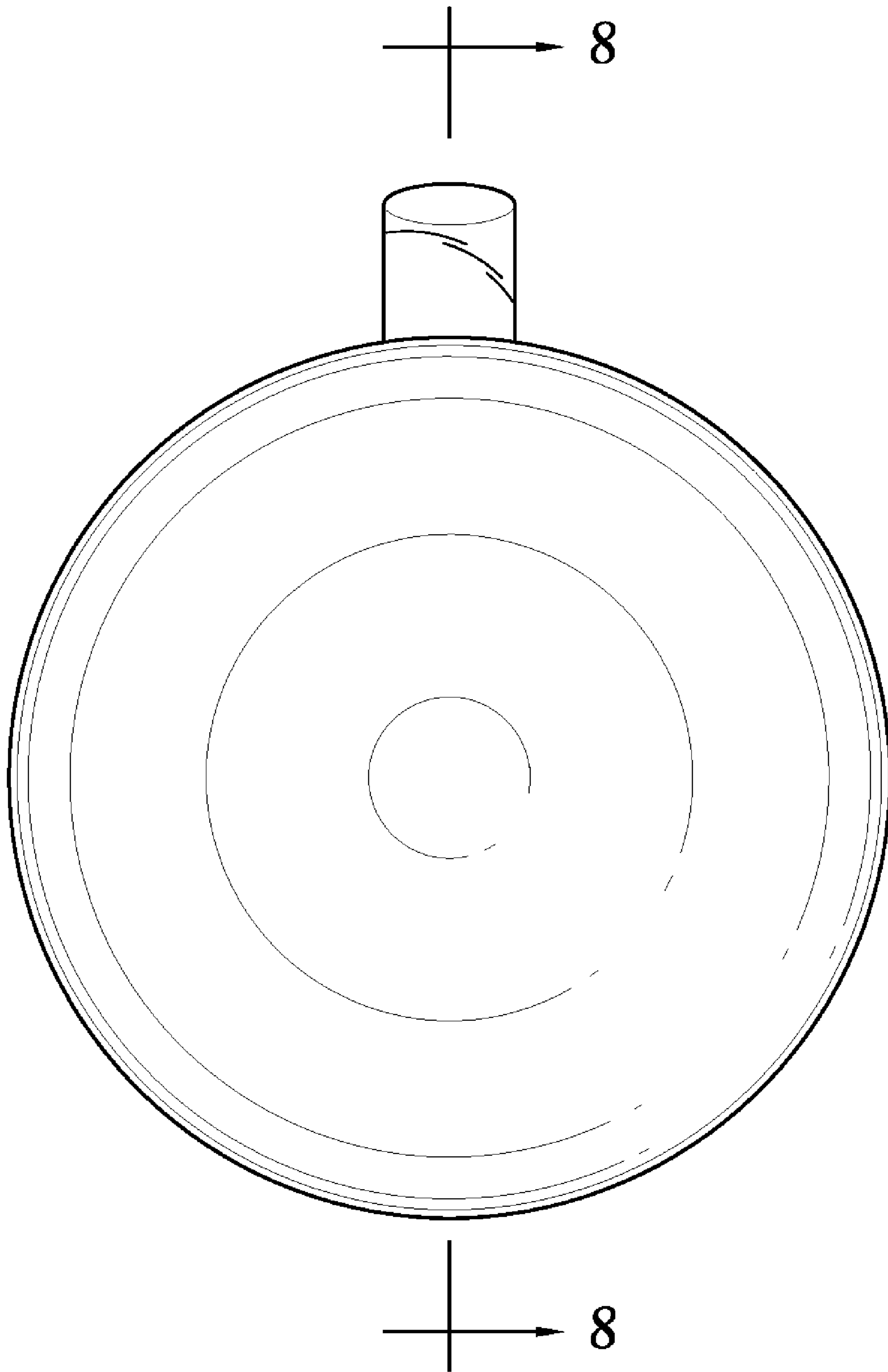


FIG. 6

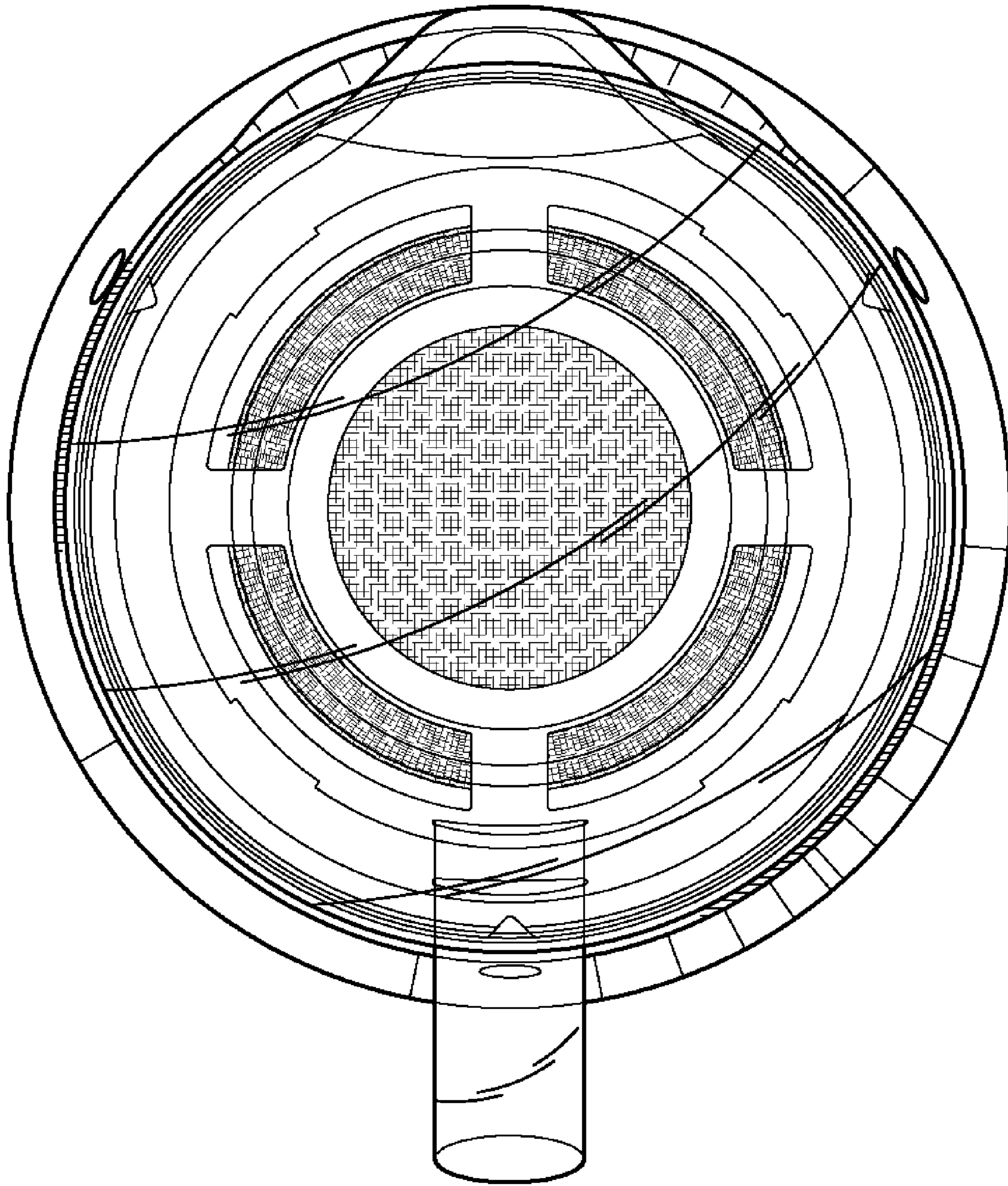


FIG. 7

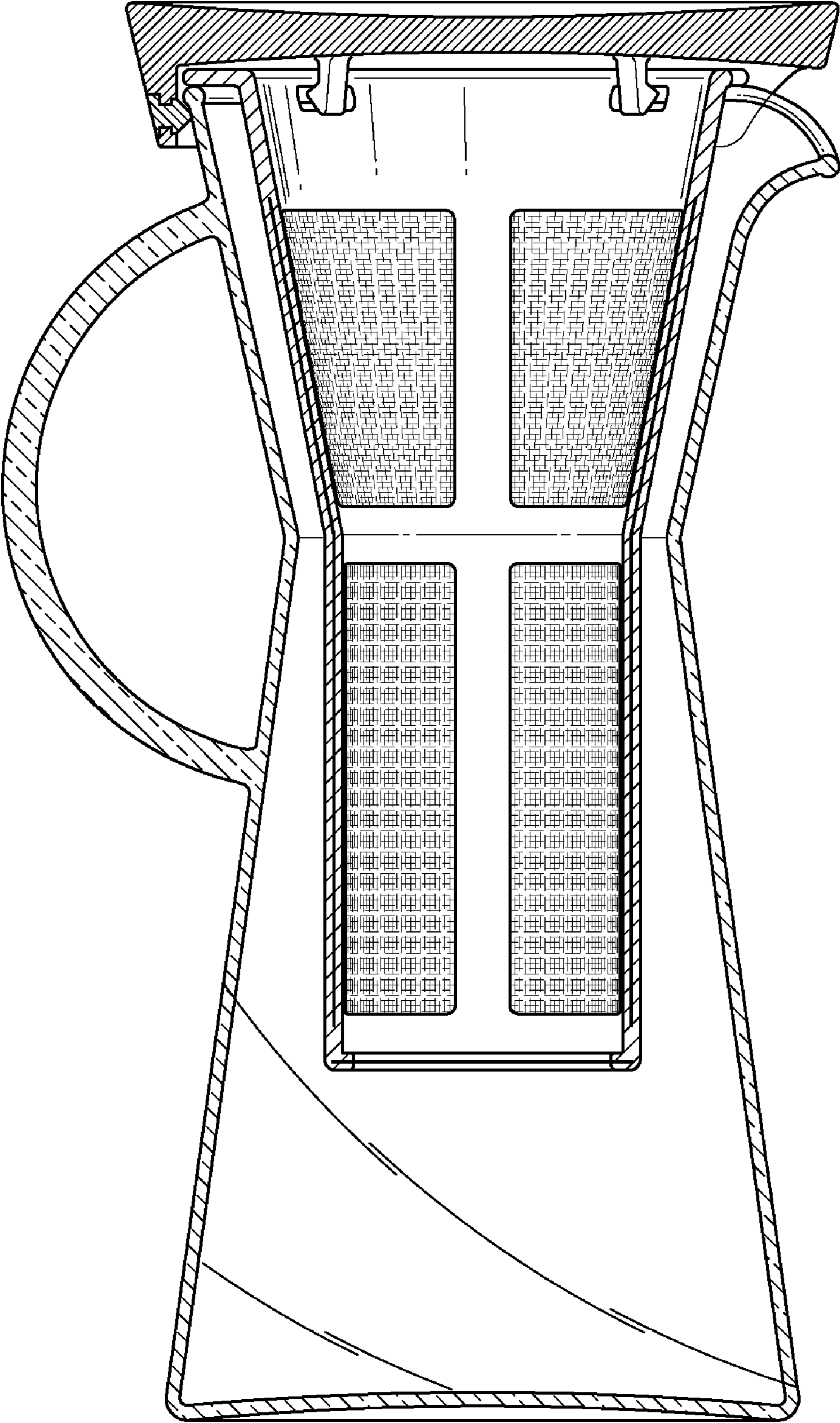


FIG. 8