



US00D598233S

(12) **United States Design Patent**
Ma et al.

(10) **Patent No.:** **US D598,233 S**
(45) **Date of Patent:** **** Aug. 18, 2009**

(54) **LID AND HANDLE FOR A WATER PITCHER**

(75) Inventors: **Benjamin Ma**, San Ramon, CA (US);
Russell E. Bell, Pleasanton, CA (US);
Ho Pun Chung, Hong Kong (HK);
Frederick Ho, Hong Kong (HK); **Anton**
Lee See, Macgregor (AU); **Allister**
James Gough, Brisbane (AU); **Reilly**
David Edwards, Brisbane (AU); **Adam**
Doyle, Grange (AU)

(73) Assignee: **The Clorox Company**, Oakland, CA
(US)

(**) Term: **14 Years**

(21) Appl. No.: **29/332,306**

(22) Filed: **Feb. 12, 2009**

Related U.S. Application Data

(62) Division of application No. 29/296,303, filed on Oct.
17, 2007, now Pat. No. Des. 586,605.

(51) **LOC (9) Cl.** **07-01**

(52) **U.S. Cl.** **D7/317; D7/318**

(58) **Field of Classification Search** D7/300-322,
D7/516, 533, 536, 600, 619; D23/207, 209,
D23/312, 313, 316, 317, 318, 319, 322; 99/297,
99/319, 279, 307, 280, 283; 210/282, 635;
222/164, 165, 465.1, 466, 475.1, 131, 183,
222/88; 220/4.01

See application file for complete search history.

(56) **References Cited**

U.S. PATENT DOCUMENTS

- D323,874 S 2/1992 Hirman et al.
- D331,446 S 12/1992 Gidman
- 5,190,643 A 3/1993 Duncan et al.
- D336,760 S 6/1993 Raunkjaer
- D345,669 S 4/1994 Piret
- D356,004 S 3/1995 Valkenburg et al.
- 5,637,214 A 6/1997 Kahana

- D383,351 S 9/1997 DeMore
- 5,665,224 A 9/1997 Levene et al.
- D386,041 S 11/1997 Tanner et al.
- D388,654 S 1/1998 Bouhuys
- D388,655 S 1/1998 Flom et al.
- D389,004 S 1/1998 Hampshire et al.
- D389,006 S 1/1998 Demore et al.
- D398,184 S 9/1998 Silverberg et al.
- D400,392 S 11/1998 Robertson et al.
- D406,003 S 2/1999 Tanner et al.
- 5,900,138 A 5/1999 Moretto
- D415,922 S 11/1999 Kawasaki et al.
- D416,163 S 11/1999 Doritty et al.
- D418,714 S 1/2000 Fox et al.

(Continued)

FOREIGN PATENT DOCUMENTS

DE 40403886.7 9/2004

(Continued)

Primary Examiner—Antoine D Davis

(74) *Attorney, Agent, or Firm*—Thomas C. Feix

(57) **CLAIM**

The ornamental design for a lid and handle for a water pitcher,
as shown and described.

DESCRIPTION

FIG. 1 is a left rear perspective view of a lid and handle for a
water pitcher showing the new design;

FIG. 2 is left front perspective view thereof;

FIG. 3 is a right side view thereof;

FIG. 4 is a left side view thereof;

FIG. 5 is a front view thereof;

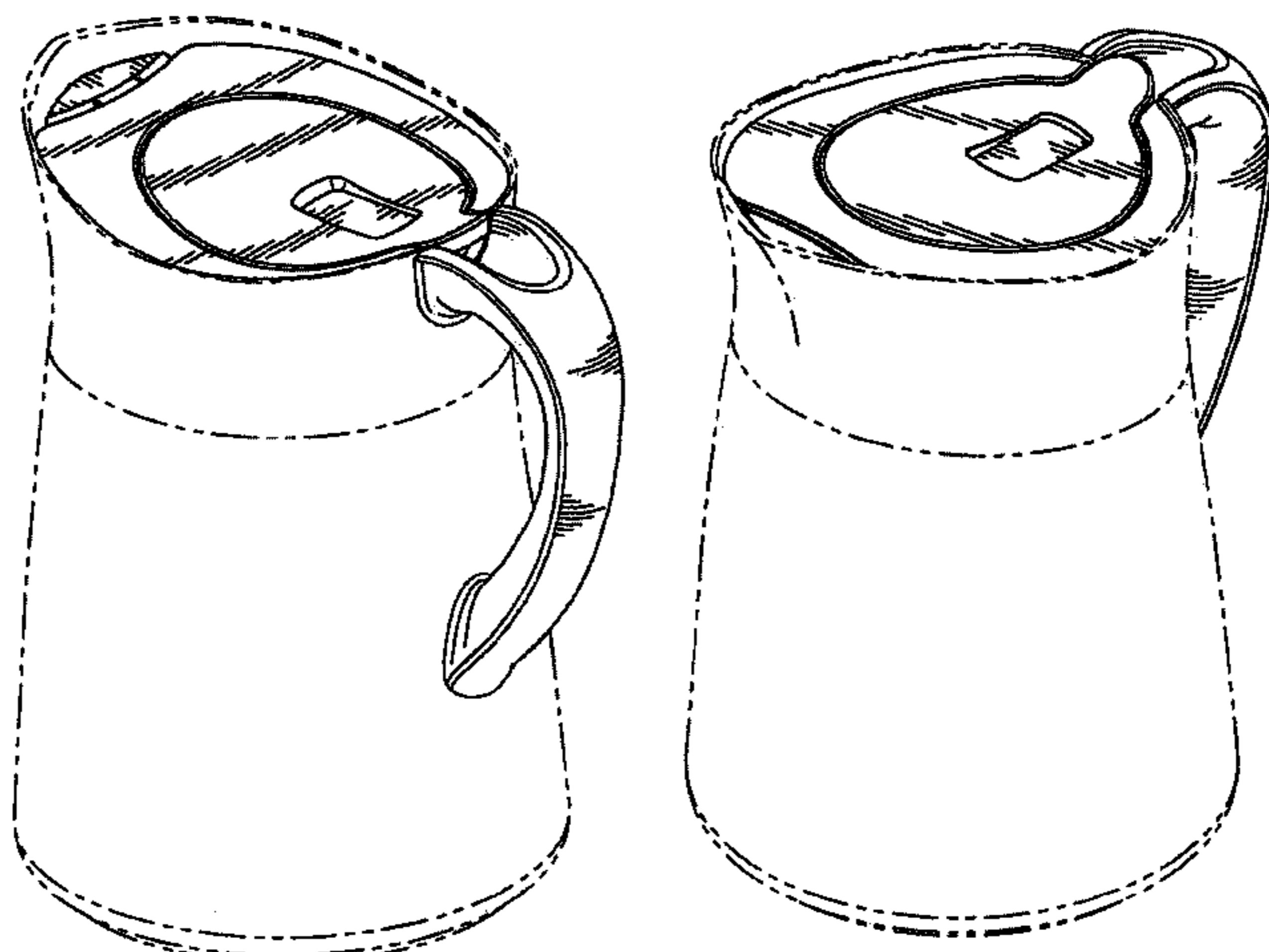
FIG. 6 is a rear view thereof;

FIG. 7 is bottom view thereof; and,

FIG. 8 is a top view thereof.

The broken line showing environmental structure is for illus-
trative purposes only and forms no part of the claimed design.

1 Claim, 5 Drawing Sheets



US D598,233 S

Page 2

U.S. PATENT DOCUMENTS

D421,361 S 3/2000 Coulson et al.
6,103,114 A 8/2000 Tanner et al.
D437,175 S 2/2001 Brady
D439,790 S 4/2001 Matsushita et al.
D440,110 S 4/2001 Tanner et al.
6,224,751 B1 5/2001 Hofmann et al.
D444,662 S 7/2001 McGrath et al.
D444,843 S 7/2001 Hilgers et al.
D444,987 S 7/2001 McGrath et al.
D445,293 S 7/2001 Lillelund et al.
D459,941 S 7/2002 Miller
D461,087 S 8/2002 Hatsumoto
D463,706 S 10/2002 Lecerf
D465,377 S 11/2002 Murison et al.

D497,195 S 10/2004 Nishi et al.
D520,597 S 5/2006 Witte
D524,087 S 7/2006 Ali
D546,113 S 7/2007 Ruoff
D554,425 S 11/2007 Schwamkrug
D584,913 S * 1/2009 Green et al. D7/317
D585,231 S * 1/2009 Bulala et al. D7/317
2007/0209981 A1 9/2007 Moretto
2007/0209984 A1 9/2007 Lev et al.

FOREIGN PATENT DOCUMENTS

DE 40406643.7 2/2005
EP 1806322 7/2007

* cited by examiner

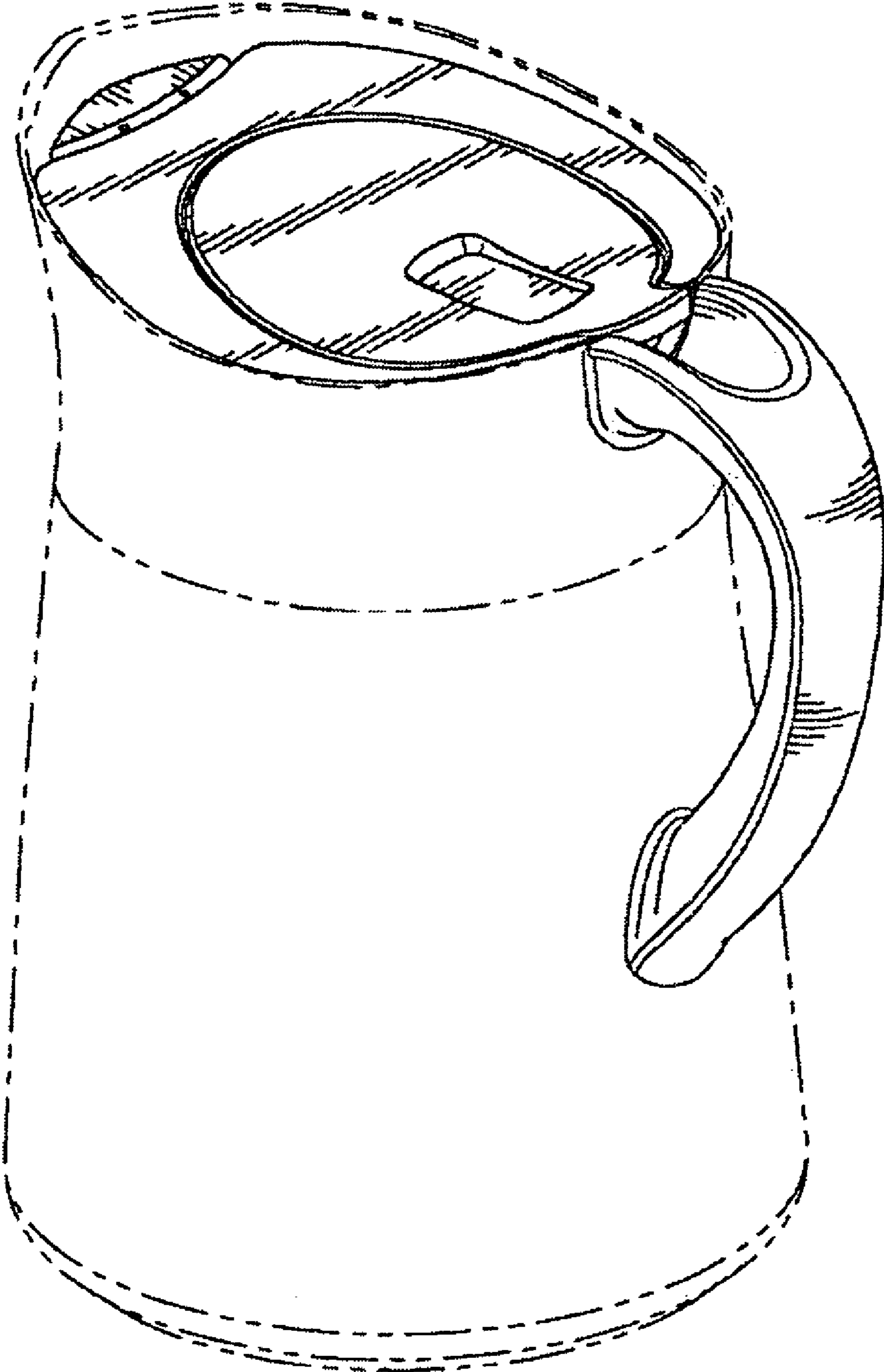


FIG. 1

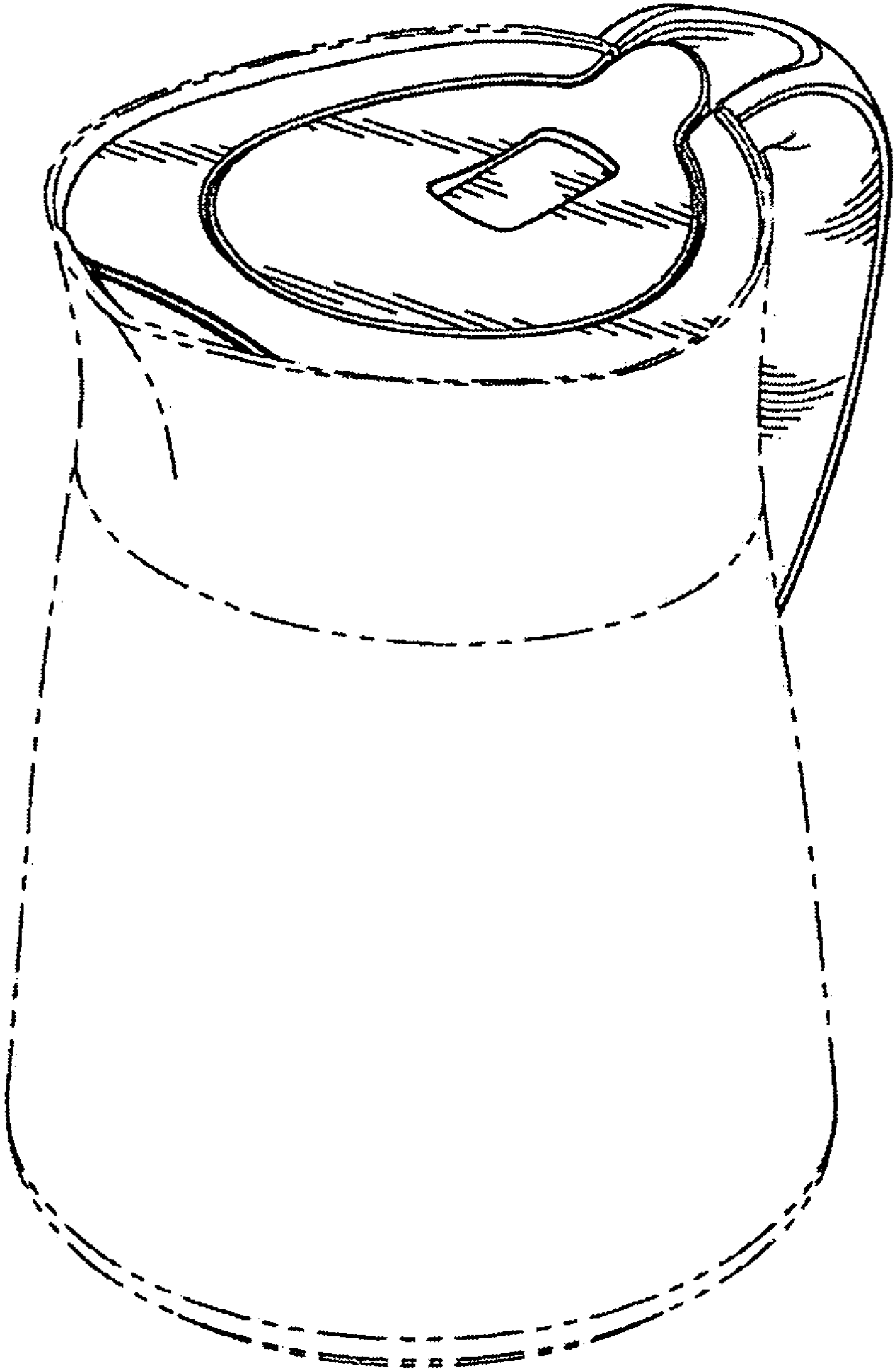


FIG. 2

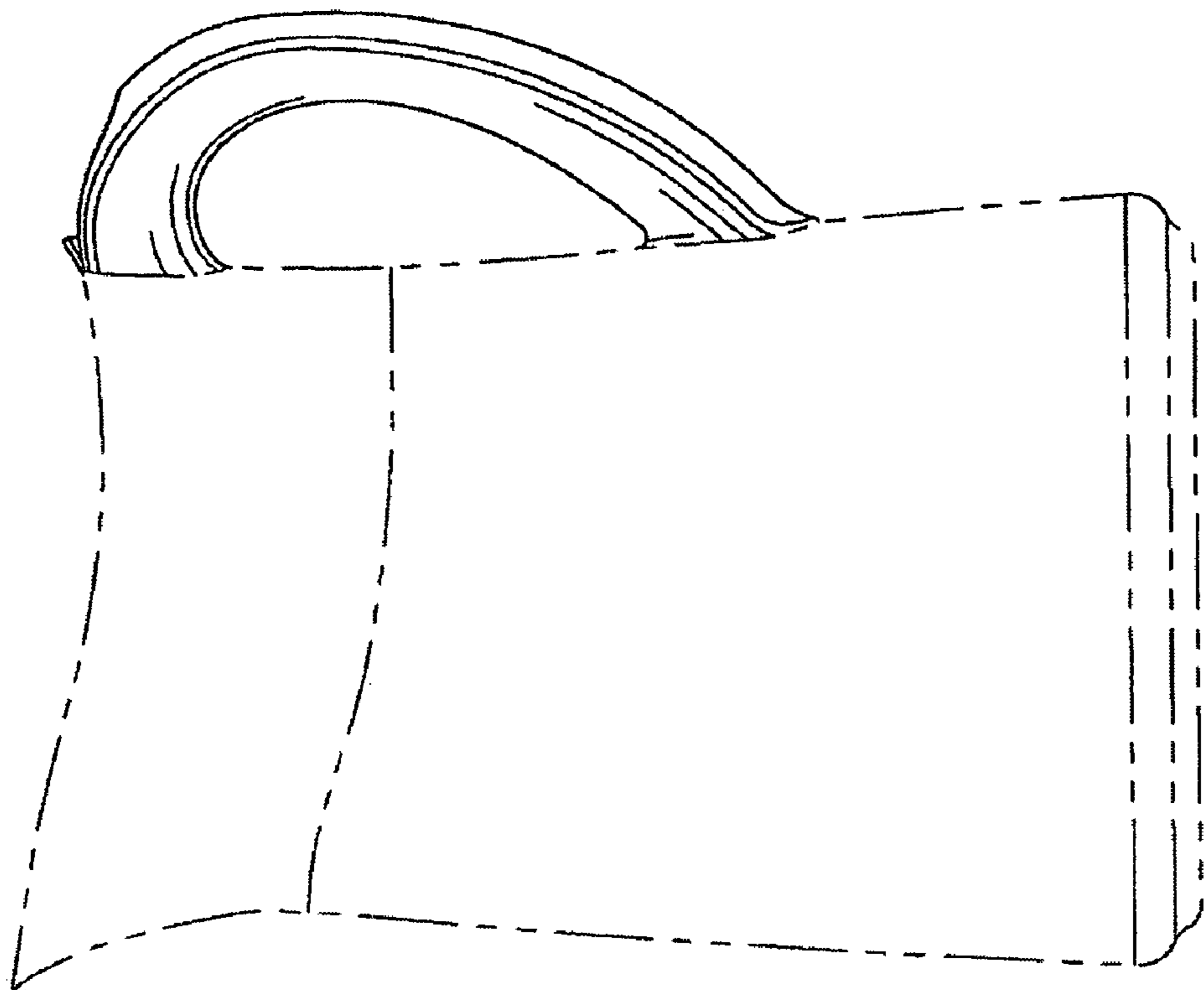


FIG. 4

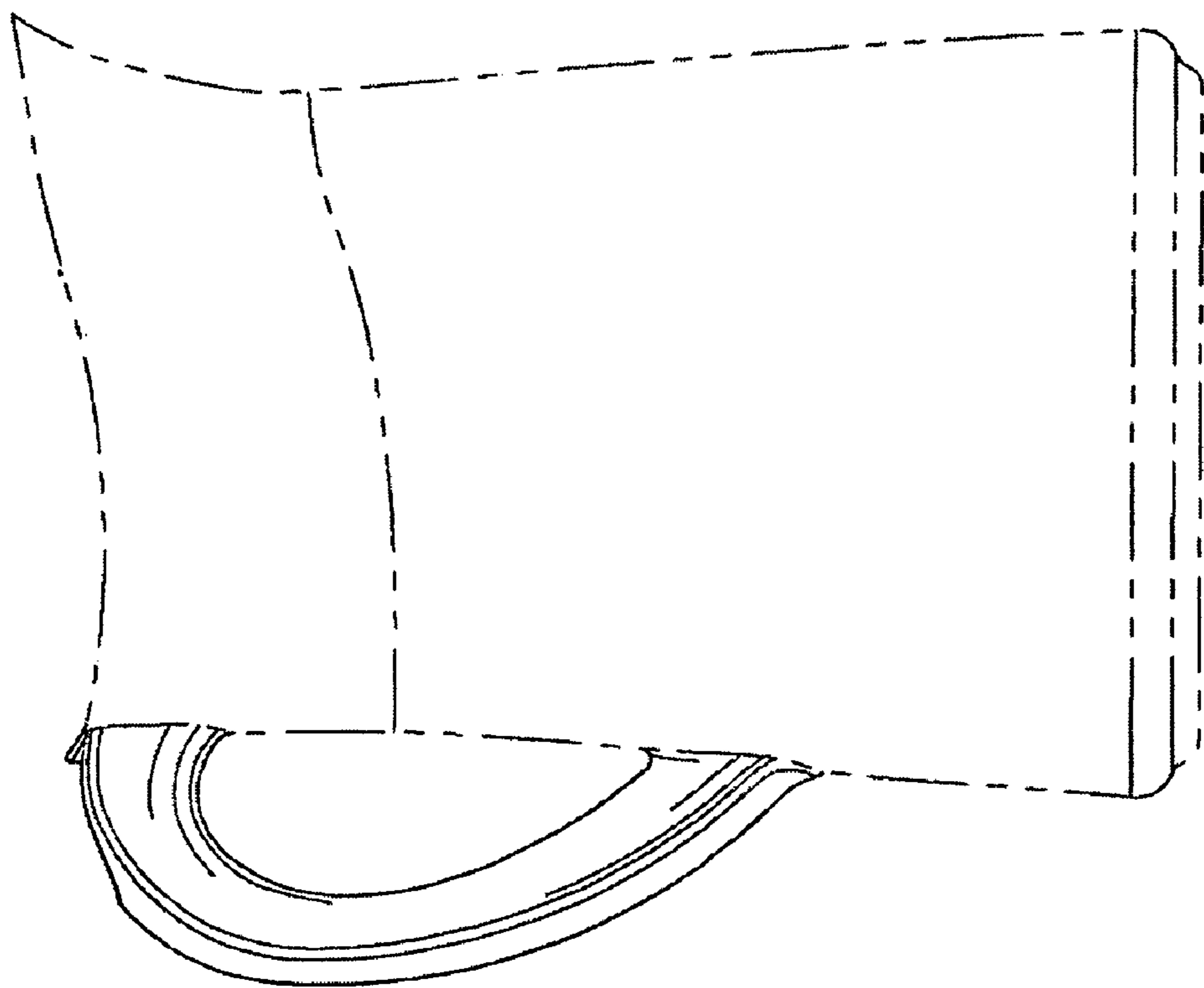


FIG. 3

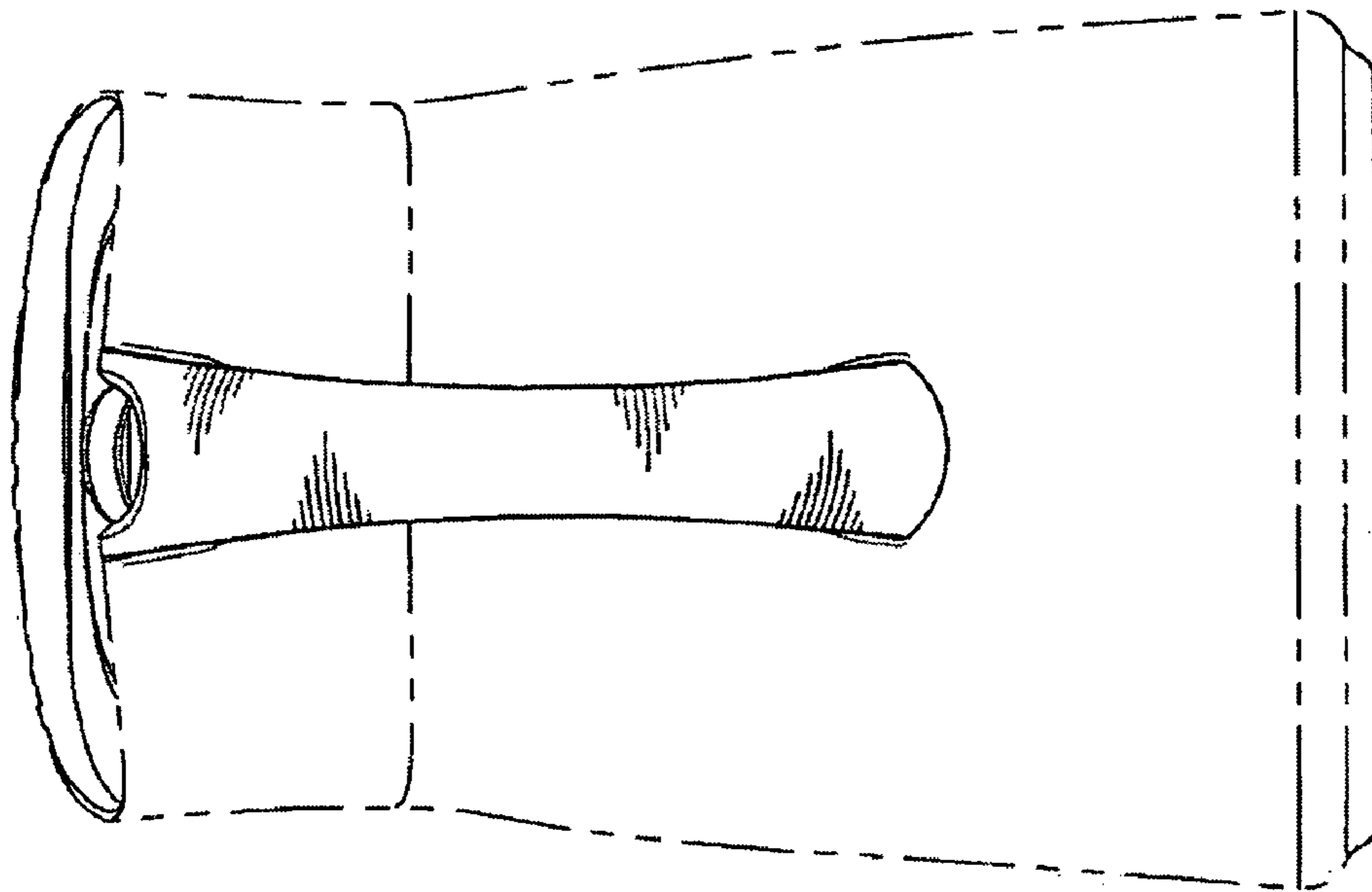


FIG. 6

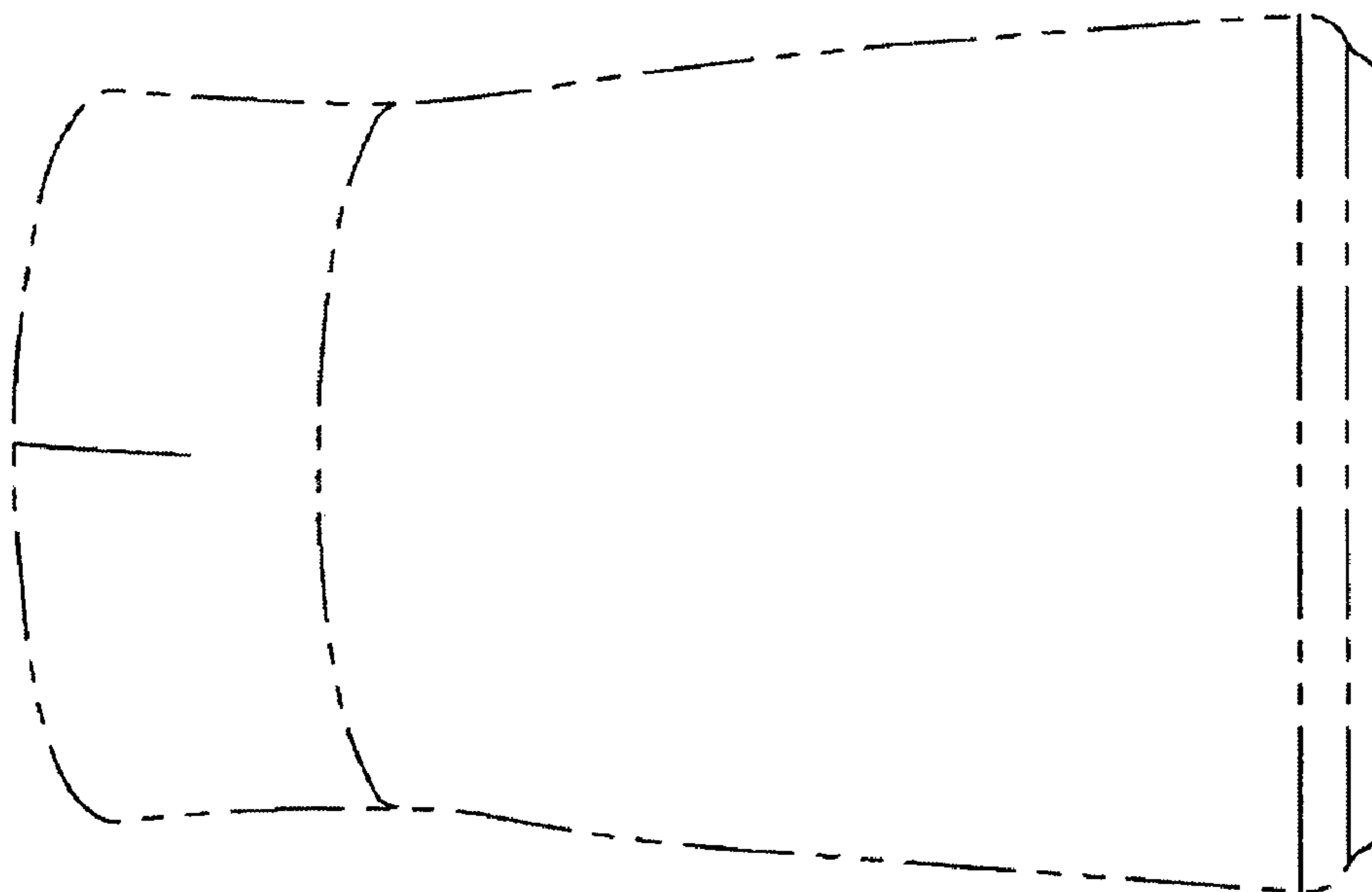


FIG. 5

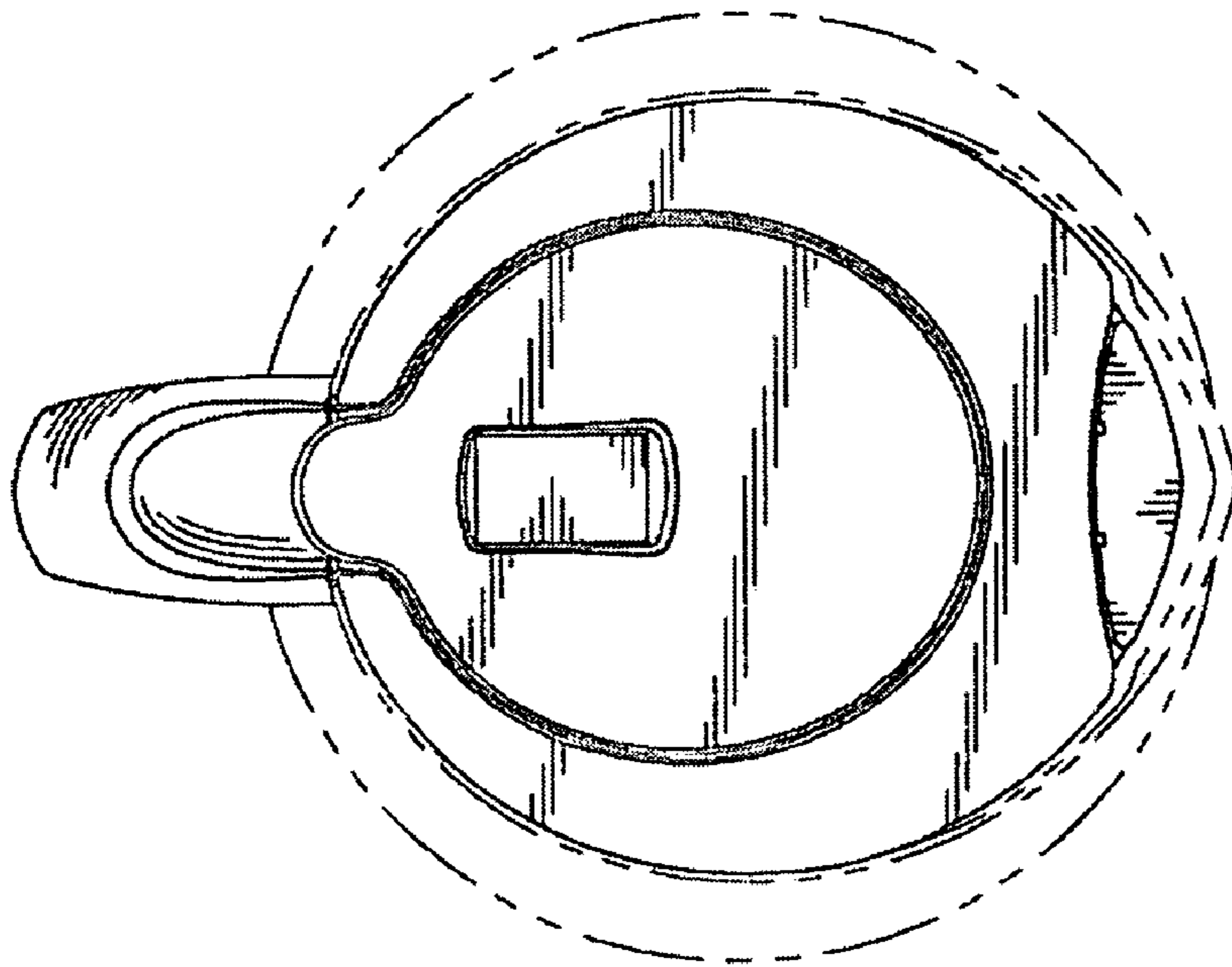


FIG. 8

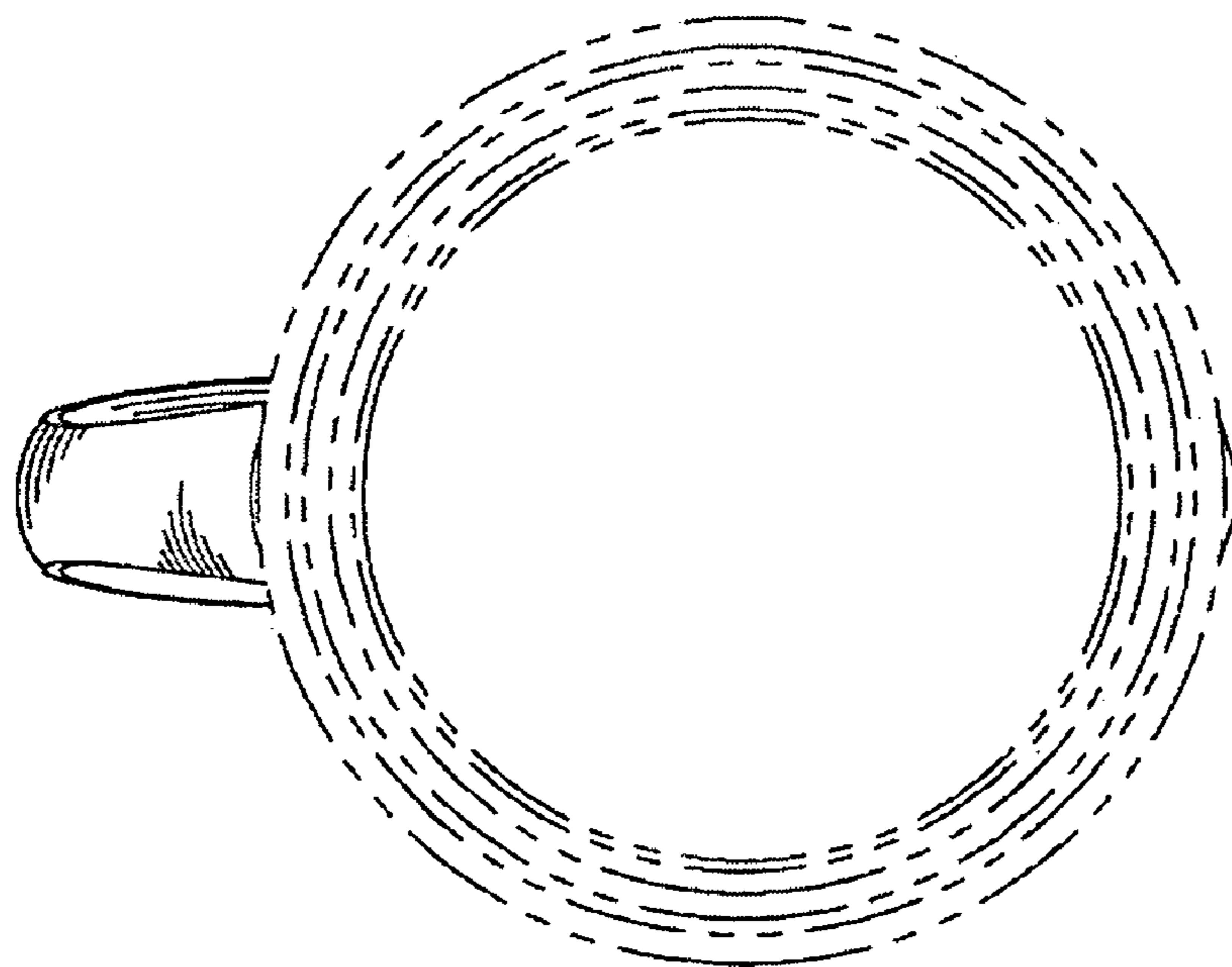


FIG. 7