

US00D598232S

(12) **United States Design Patent**
Adachi

(10) **Patent No.:** **US D598,232 S**

(45) **Date of Patent:** **** Aug. 18, 2009**

(54) **DRINK DISPENSER**

(75) Inventor: **Katsuhiko Adachi**, Osaka (JP)

(73) Assignee: **Sanyo Electric Co., Ltd.**, Osaka (JP)

(**) Term: **14 Years**

(21) Appl. No.: **29/311,229**

(22) Filed: **Jan. 26, 2009**

D272,975 S	3/1984	Miller	
D359,874 S	7/1995	Smith et al.	
D375,650 S *	11/1996	Saito et al. D7/307
D404,242 S	1/1999	Schroeder	
D440,109 S	4/2001	Anton et al.	
D454,464 S	3/2002	Mogler et al.	
D529,750 S *	10/2006	Baron et al. D7/307
D555,968 S	11/2007	Pfeifer et al.	
D557,970 S	12/2007	Asbridge et al.	
D564,279 S	3/2008	Hodges et al.	
D587,058 S *	2/2009	Terada et al. D7/308
D587,956 S *	3/2009	Adachi D7/308

Related U.S. Application Data

(62) Division of application No. 29/287,247, filed on Jul. 13, 2007, now Pat. No. Des. 587,956.

Foreign Application Priority Data

Jan. 17, 2007	(JP)	2007-000705
Jan. 17, 2007	(JP)	2007-000706
Jan. 17, 2007	(JP)	2007-000707

(51) **LOC (9) Cl.** **07-01**

(52) **U.S. Cl.** **D7/308; D7/307; D7/311**

(58) **Field of Classification Search** D7/309-311,
D7/306-308, 300, 397-399; 99/280, 286,
99/305, 306, 295, 279, 299, 285; D20/1,
D20/4, 5; 222/108.1, 152, 190, 399; D15/79
See application file for complete search history.

(56) **References Cited**

U.S. PATENT DOCUMENTS

3,268,672 A	8/1966	Roesel, Jr. et al.
D206,519 S	12/1966	Wolfe
D233,081 S	10/1974	Koch
D233,271 S	10/1974	Holcomb
D246,310 S	11/1977	Syverson et al.

FOREIGN PATENT DOCUMENTS

JP HH18343289 11/2006

* cited by examiner

Primary Examiner—Marianne Pandozzi

(74) *Attorney, Agent, or Firm*—Rabin & Berdo, PC

(57) **CLAIM**

The ornamental design for a drink dispenser, as shown and described.

DESCRIPTION

FIG. 1 is a perspective view of an embodiment of a drink dispenser showing my new design;

FIG. 2 is a front elevation view of the third embodiment;

FIG. 3 is a rear elevation view of the third embodiment;

FIG. 4 is a top plan view of the third embodiment;

FIG. 5 is a bottom plan view of the third embodiment;

FIG. 6 is a right side view of the third embodiment; and,

FIG. 7 is a left side view of the third embodiment.

1 Claim, 4 Drawing Sheets

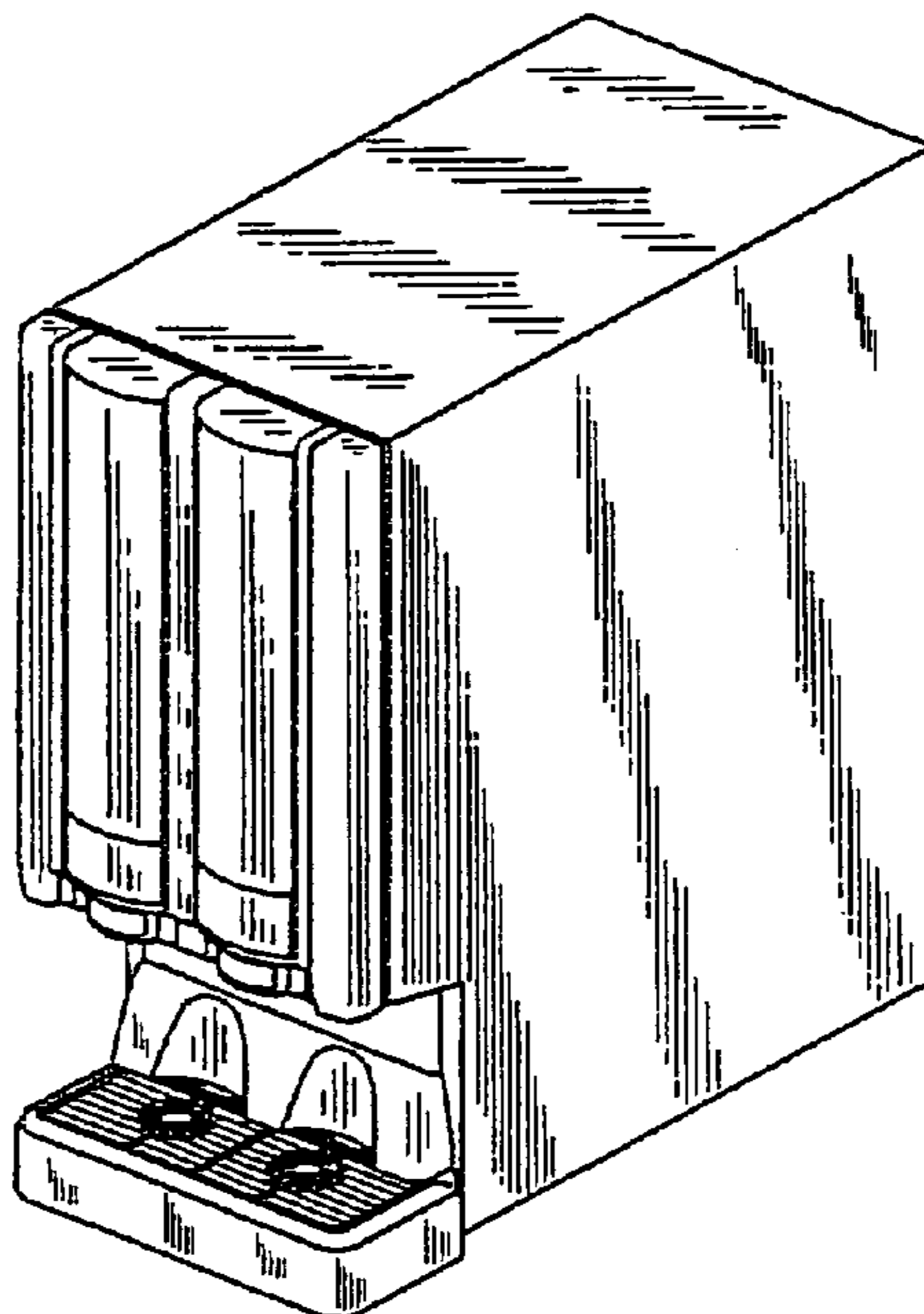


FIG. 1

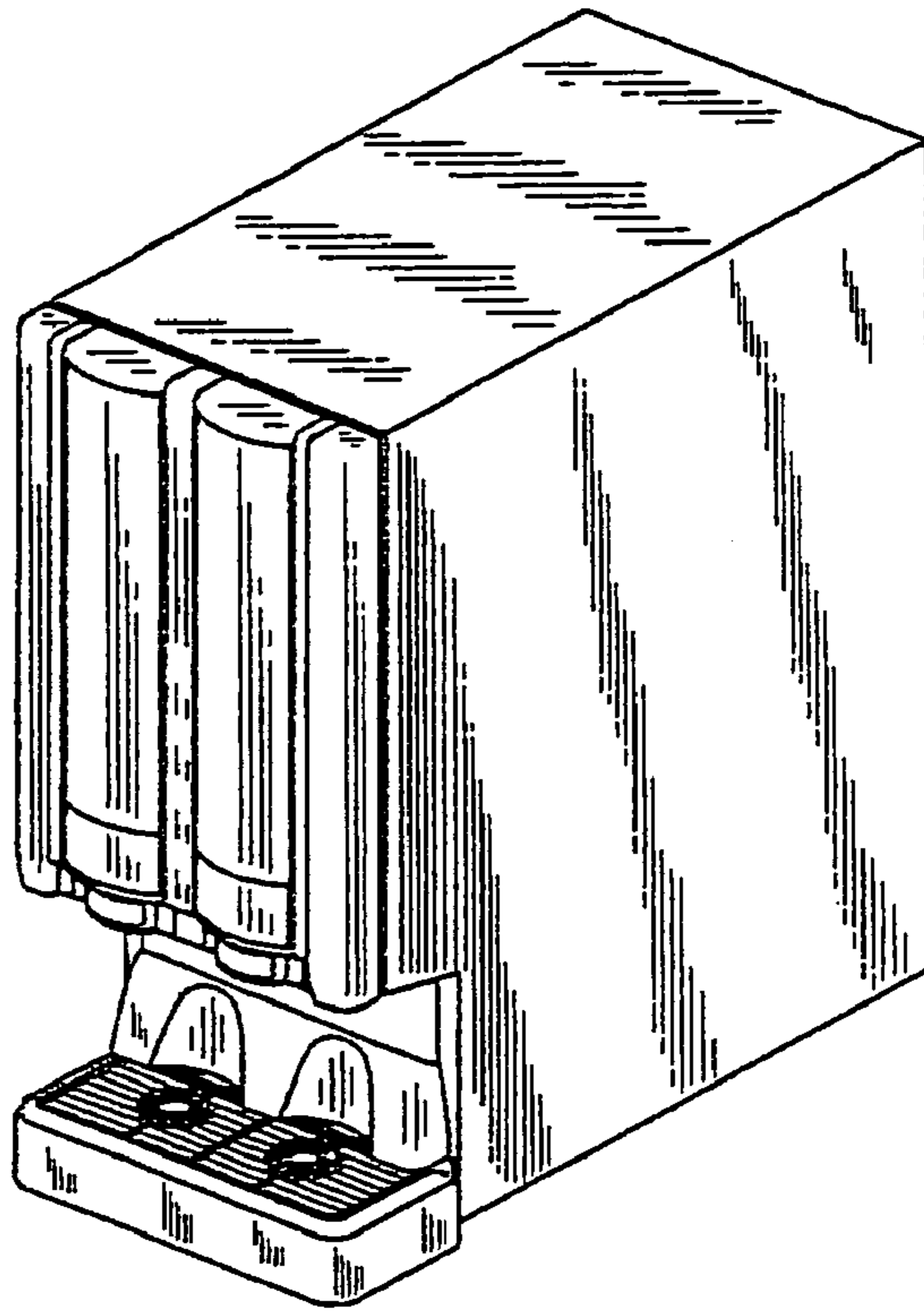


FIG. 2

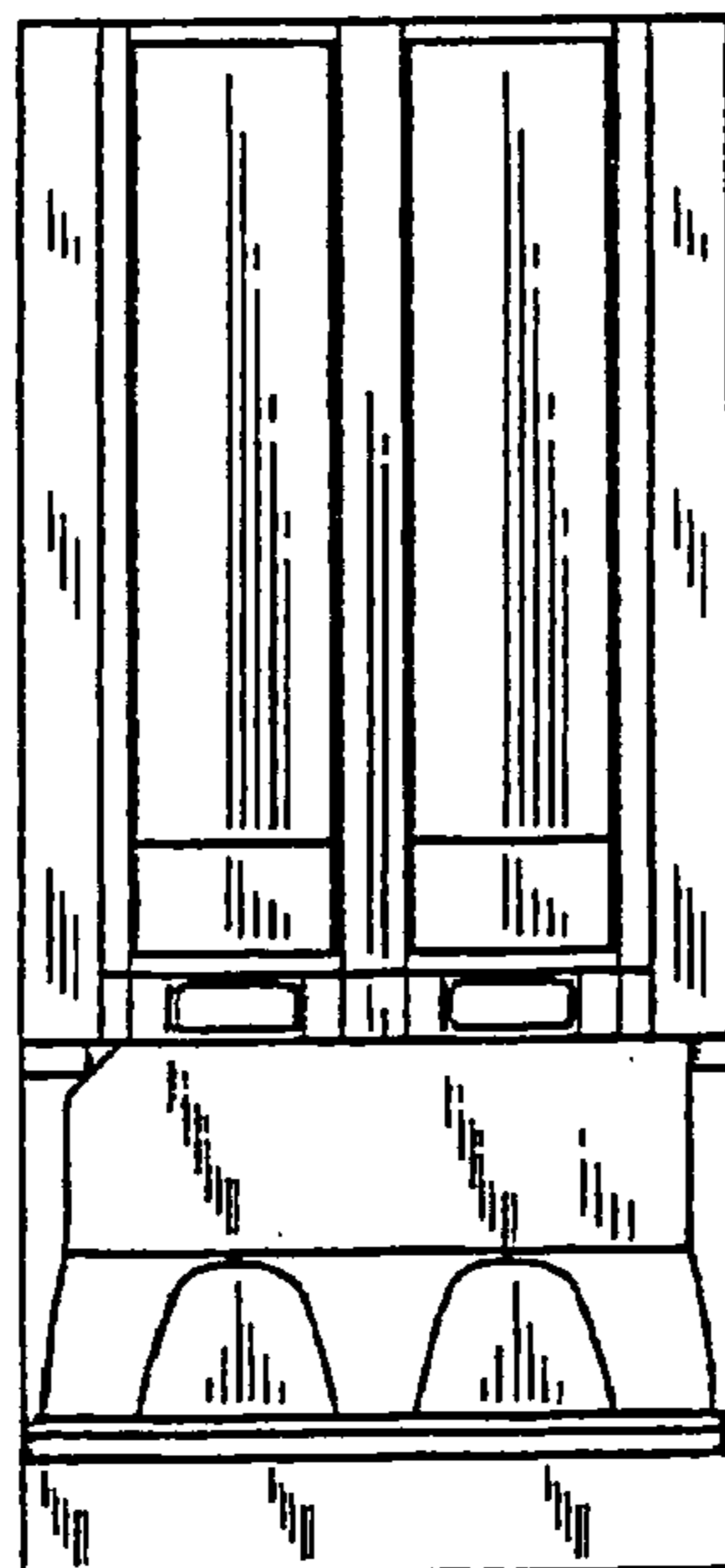


FIG. 3

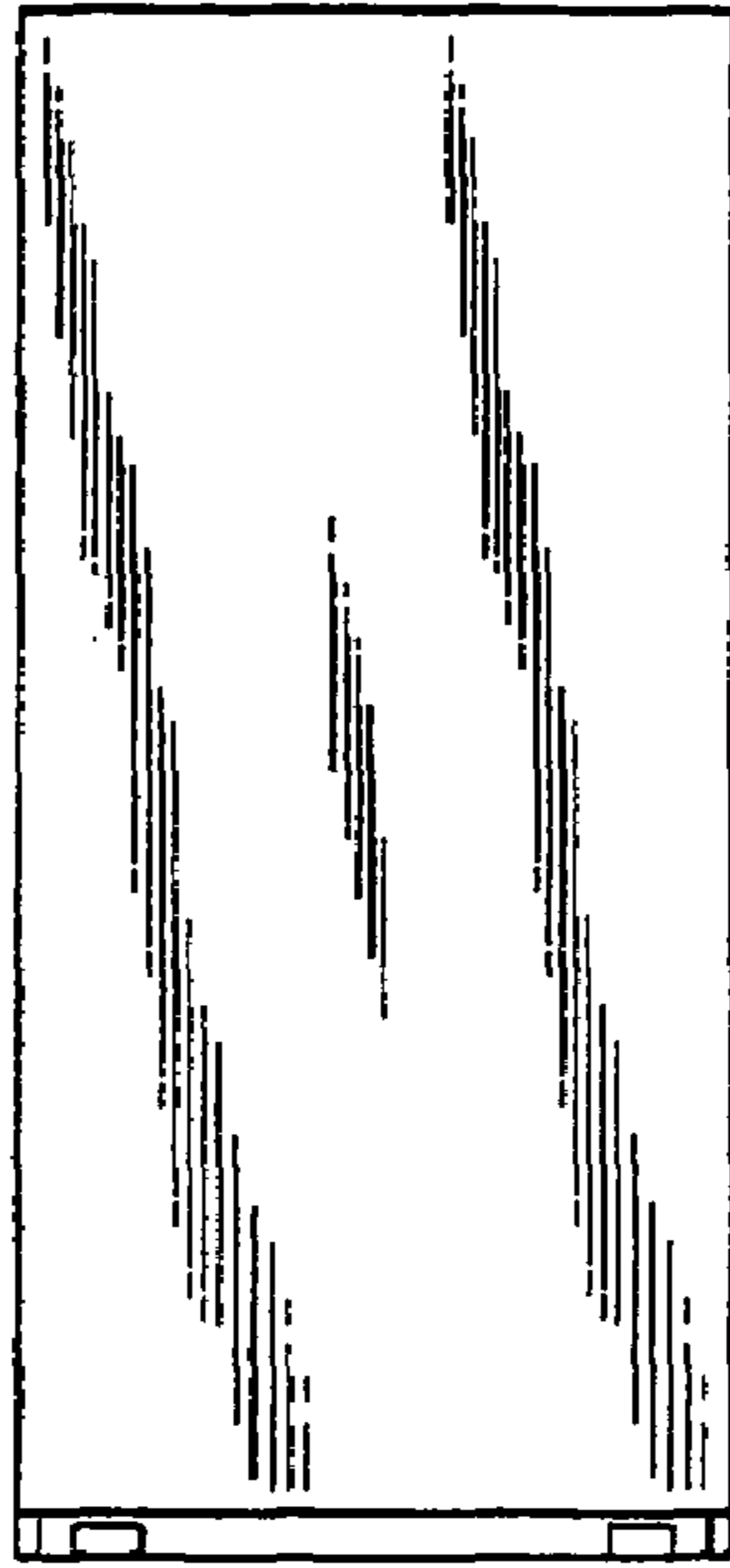


FIG. 4

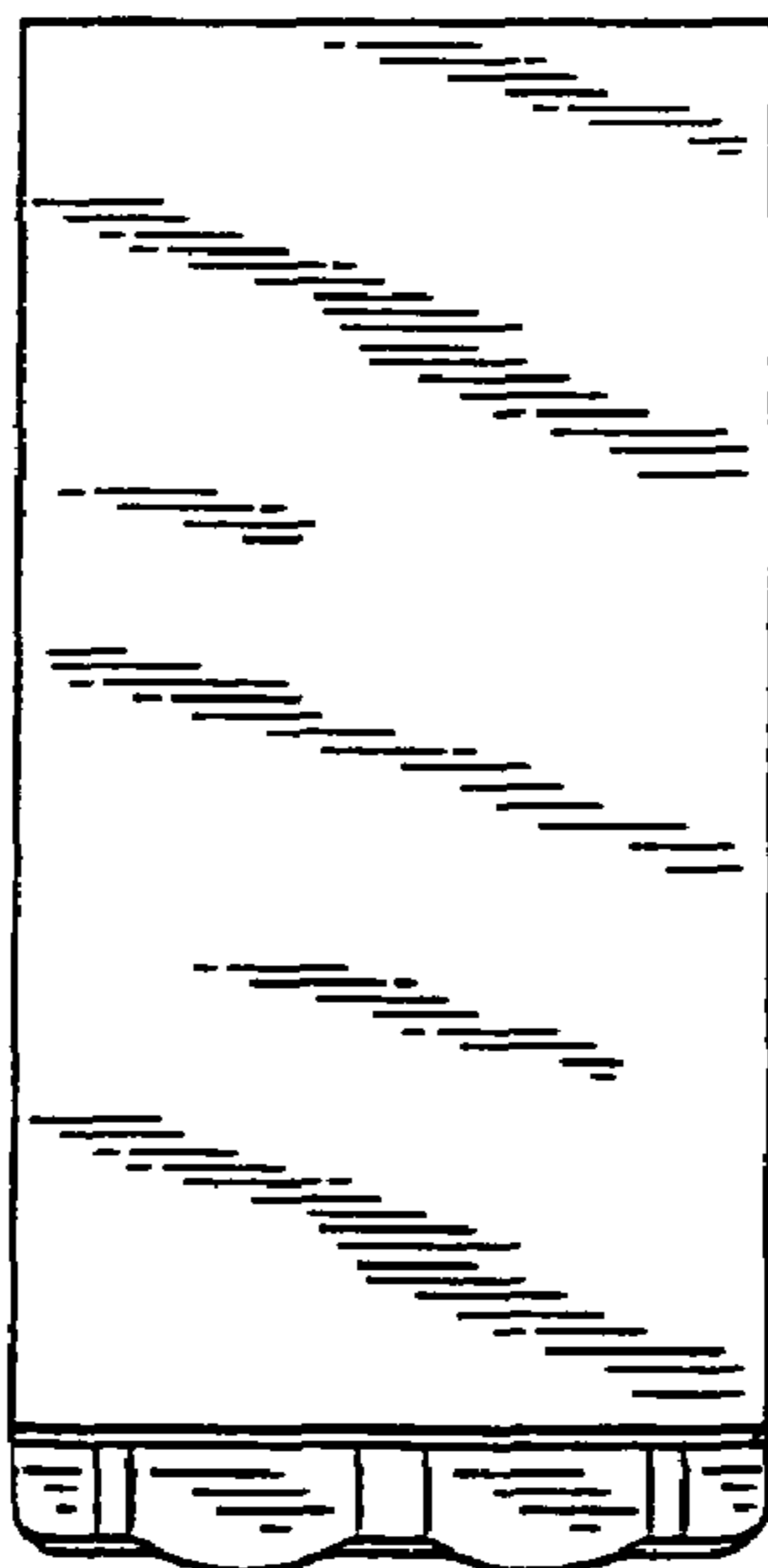


FIG. 5

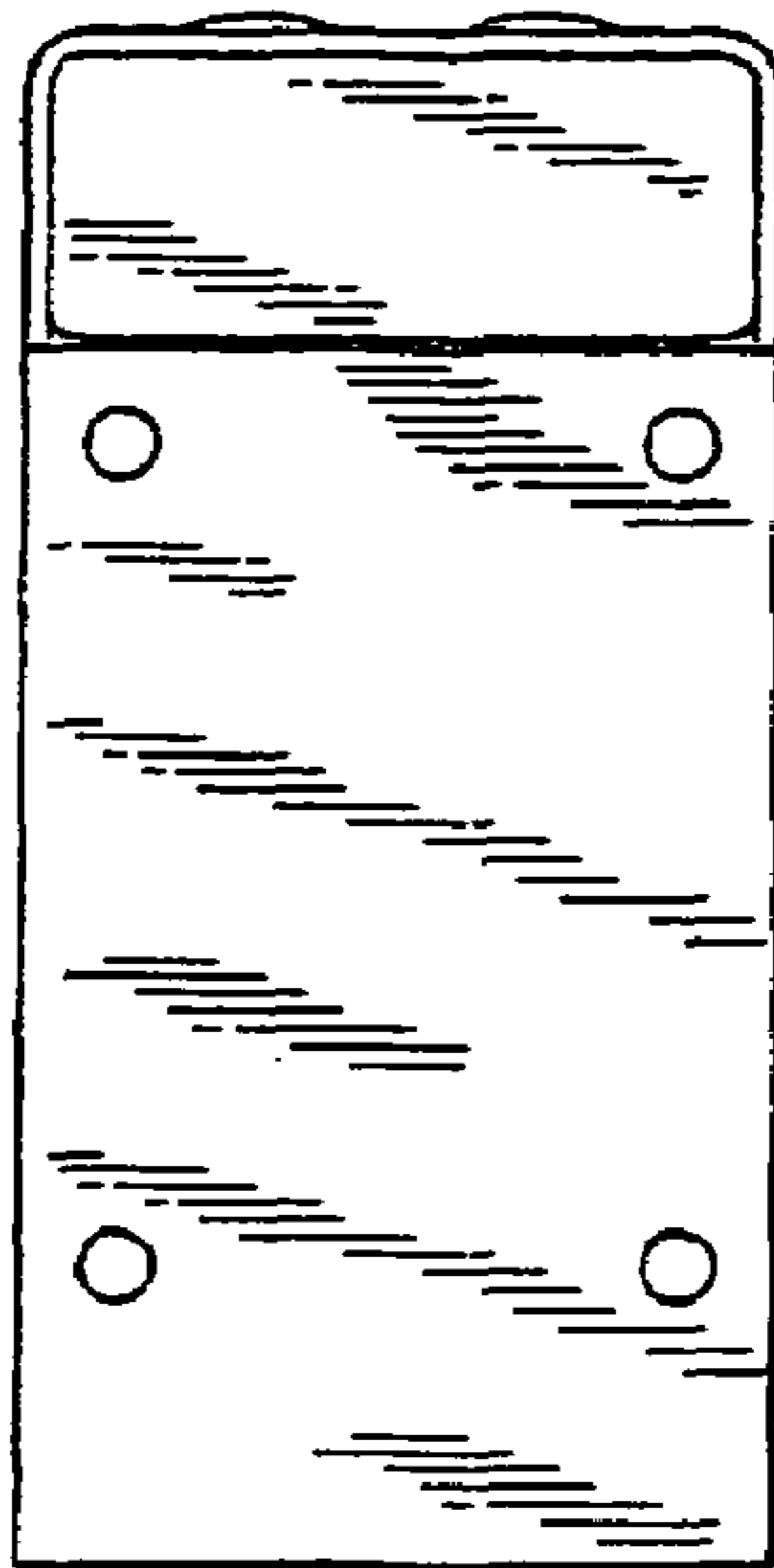


FIG. 6

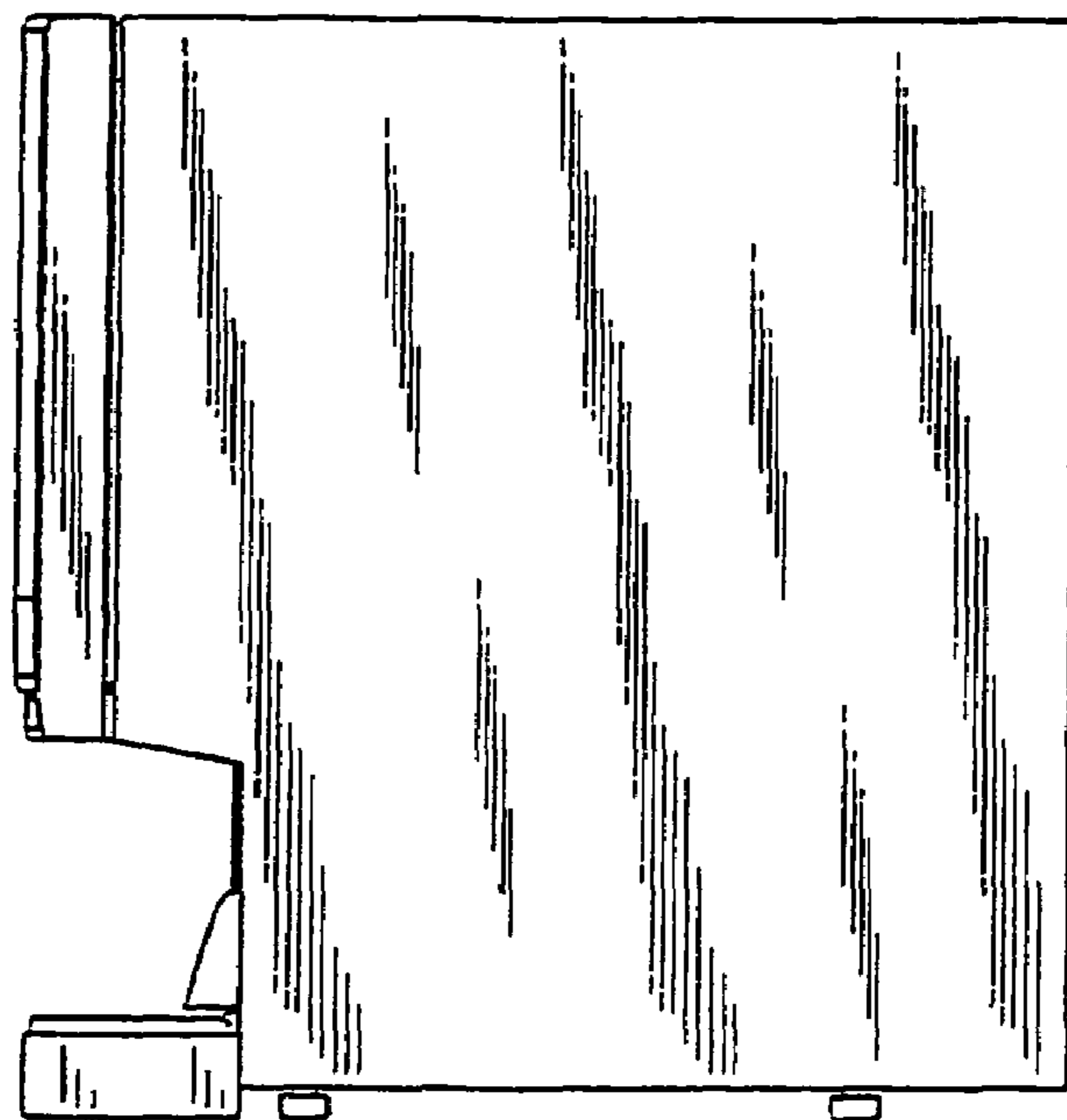


FIG. 7

