



US00D598230S

(12) **United States Design Patent**  
**Huffman**

(10) **Patent No.:** **US D598,230 S**

(45) **Date of Patent:** **\*\* \*Aug. 18, 2009**

(54) **PILLOW**

(76) Inventor: **Felicity Huffman**, 7095 Hollywood Dr.,  
Los Angeles, CA (US) 90028

(\*) Notice: This patent is subject to a terminal disclaimer.

(\*\*) Term: **14 Years**

(21) Appl. No.: **29/230,753**

(22) Filed: **May 25, 2005**

(51) **LOC (9) Cl.** ..... **06-09**

(52) **U.S. Cl.** ..... **D6/601**

(58) **Field of Classification Search** ..... D6/501,  
D6/595, 596, 601, 604, 606, 610; 5/622,  
5/630, 636, 637, 639, 640, 644, 645, 655.9,  
5/656, 657.5; D2/639; 297/220, 284.5, 393,  
297/394, 397, 399

See application file for complete search history.

(56) **References Cited**

**U.S. PATENT DOCUMENTS**

|               |         |                 |         |
|---------------|---------|-----------------|---------|
| 2,566,757 A   | 9/1951  | Alexander       | 155/174 |
| 2,591,306 A   | 4/1952  | Sherman         | 155/173 |
| 3,062,586 A * | 11/1962 | Rowland         | 297/399 |
| 3,371,961 A   | 3/1968  | Colgan          | 297/397 |
| 3,387,886 A   | 6/1968  | Longo et al.    | 297/397 |
| 3,578,383 A   | 5/1971  | Earl            | 297/391 |
| 3,689,947 A   | 9/1972  | Wolf            | 5/344   |
| 4,738,488 A   | 4/1988  | Camelio         | 297/393 |
| D296,855 S *  | 7/1988  | Belk            | D6/501  |
| 4,877,288 A   | 10/1989 | Lee             | 297/229 |
| D307,526 S *  | 5/1990  | McIntyre et al. | D6/601  |
| D308,150 S *  | 5/1990  | Salmirs         | D6/601  |
| D315,076 S    | 3/1991  | Hanna           | D6/601  |
| 5,008,960 A   | 4/1991  | Hemming         | 2/104   |
| D318,772 S    | 8/1991  | Phillips        | D6/595  |
| 5,042,278 A   | 8/1991  | Wang            | 297/397 |
| D338,587 S    | 8/1993  | Harnish         | D6/601  |
| D350,866 S *  | 9/1994  | Miller et al.   | D6/501  |
| 5,345,633 A   | 9/1994  | Harnish         | 5/639   |

|               |         |            |            |
|---------------|---------|------------|------------|
| 5,361,435 A   | 11/1994 | Reeves     | 5/419      |
| 5,538,323 A * | 7/1996  | Henkel     | 297/397    |
| 5,545,199 A   | 8/1996  | Hudson     | 607/109    |
| 5,567,015 A   | 10/1996 | Arias      | 297/397    |
| D383,027 S    | 9/1997  | Reidell    | D6/601     |
| D400,042 S *  | 10/1998 | Black, Jr. | D6/610     |
| 5,836,653 A   | 11/1998 | Albecker   | 297/452.31 |

(Continued)

**FOREIGN PATENT DOCUMENTS**

GB 2274582 8/1994

**OTHER PUBLICATIONS**

The Head's Up Comfort Pillow by Felicity Huffman Bed Bath & Beyond [http://www.bedbathandbeyond.com/product.asp?order\\_num=1&SKU=14010181](http://www.bedbathandbeyond.com/product.asp?order_num=1&SKU=14010181) pulled from the web Aug. 9, 2007, 2 pages.\*

*Primary Examiner*—Caron Veynar  
*Assistant Examiner*—Mary Ann Calabrese  
(74) *Attorney, Agent, or Firm*—Sofer & Haroun, LLP

(57) **CLAIM**

I claim the ornamental design for a pillow, as shown and described.

**DESCRIPTION**

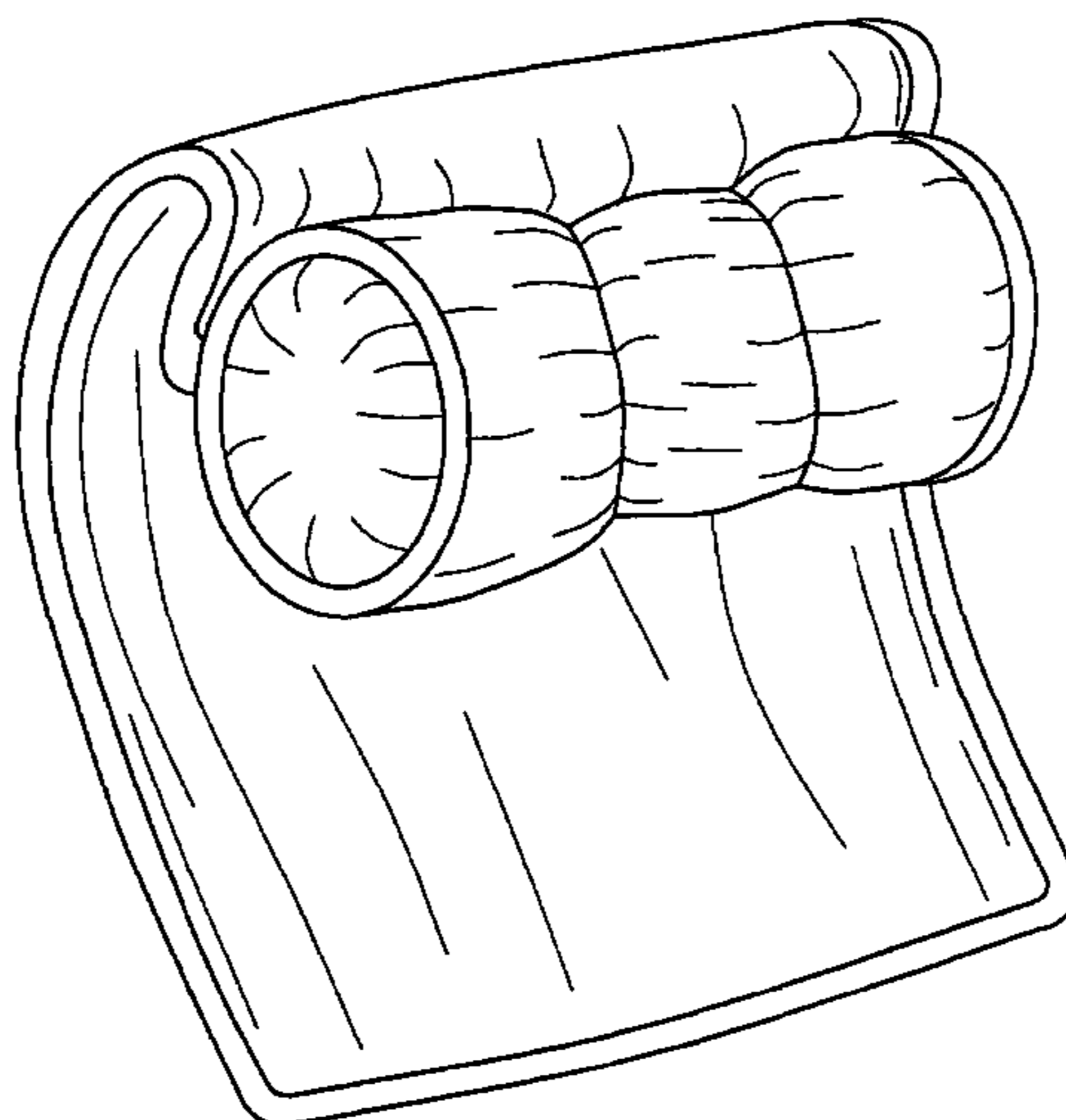
FIG. 1 is a perspective view of the pillow in a relaxed configuration showing the new design; and

FIG. 2 is a reduced side view of the pillow of FIG. 1, shown in an alternate position of use mounted on a chair in accordance with the present invention; and,

FIG. 3 is an elevation view of the pillow of FIG. 1 in fully extended configuration, in accordance with the present invention.

The dashed portion showing the upper backrest portion of a chair in FIG. 2 is shown only to illustrate the position of the pillow on a chair and does not form any part of the claimed design.

**1 Claim, 3 Drawing Sheets**



# US D598,230 S

Page 2

---

## U.S. PATENT DOCUMENTS

|              |         |           |       |            |                  |         |           |       |            |
|--------------|---------|-----------|-------|------------|------------------|---------|-----------|-------|------------|
| 6,030,034 A  | 2/2000  | Plohetski | ..... | 297/188.06 | 6,691,352 B2     | 2/2004  | Wang      | ..... | 5/636      |
| 6,116,691 A  | 9/2000  | Reece     | ..... | 297/392    | 6,748,615 B1     | 6/2004  | Tiedemann | ..... | 5/640      |
| D432,290 S * | 10/2000 | McComb    | ..... | D2/639     | 6,782,572 B1     | 8/2004  | Jones     | ..... | 5/640      |
| 6,182,309 B1 | 2/2001  | Sullivan  | ..... | 5/519      | 2001/0049844 A1* | 12/2001 | Gilbert   | ..... | 5/636      |
| 6,254,189 B1 | 7/2001  | Closson   | ..... | 297/397    | 2002/0067063 A1  | 6/2002  | Taborro   | ..... | 297/397    |
| 6,484,335 B2 | 11/2002 | Gilbert   | ..... | 5/636      | 2004/0026966 A1  | 2/2004  | Albersen  | ..... | 297/188.06 |

\* cited by examiner

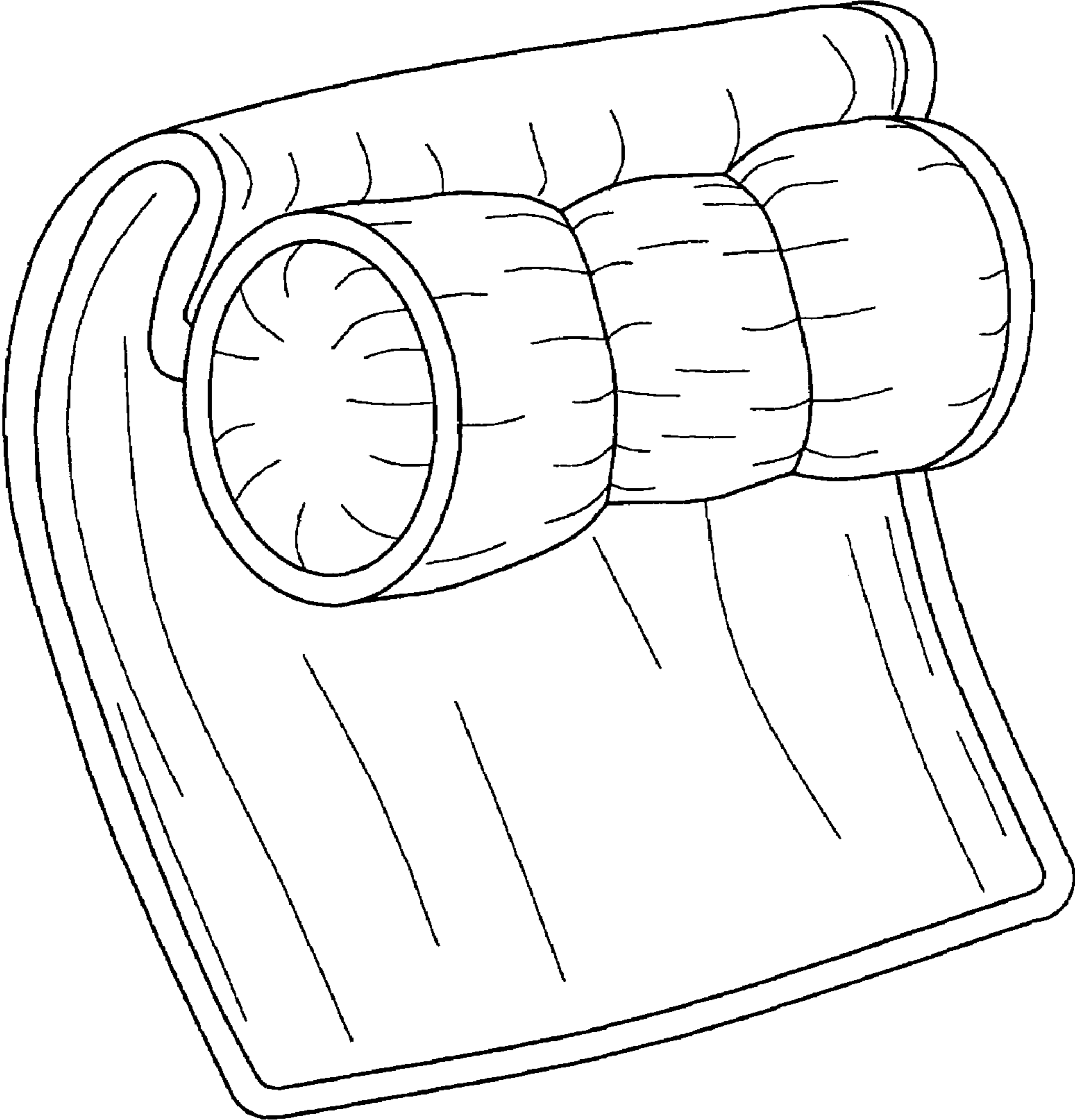


FIG. 1

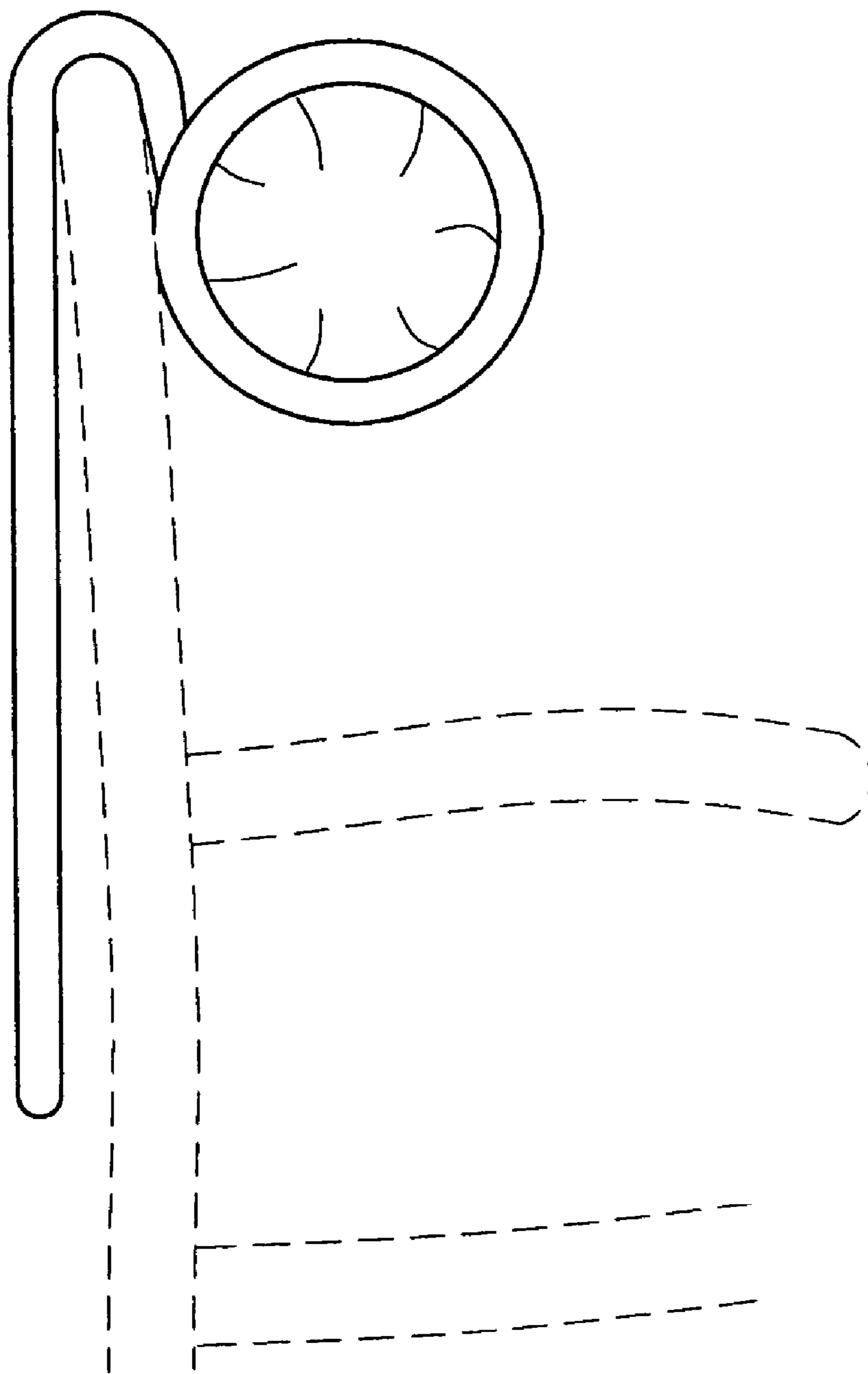


FIG. 2

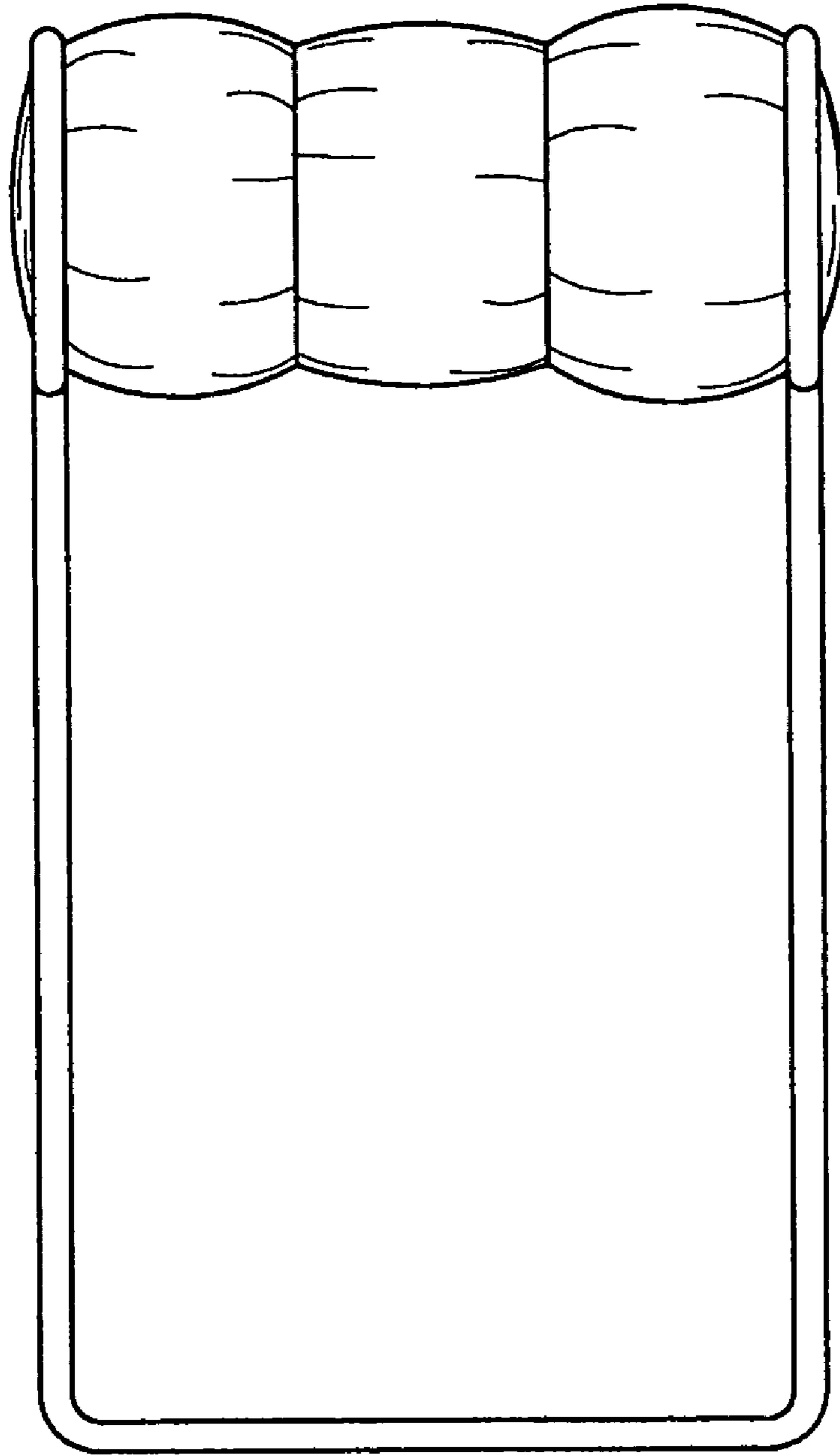


FIG. 3