



US00D598228S

(12) **United States Design Patent**
West

(10) **Patent No.:** **US D598,228 S**

(45) **Date of Patent:** **** Aug. 18, 2009**

(54) **DETACHABLE COUNTER**

(75) Inventor: **Colin Campbell West**, Stuart Park (AU)

(73) Assignee: **Framelock Structures Pty Ltd**, Stuart Park, Northern Territory (AU)

(**) Term: **14 Years**

(21) Appl. No.: **29/309,406**

(22) Filed: **Aug. 11, 2008**

(30) **Foreign Application Priority Data**

Feb. 11, 2008 (AU) 10580/2008

(51) **LOC (9) Cl.** **06-04**

(52) **U.S. Cl.** **D6/574**

(58) **Field of Classification Search** D6/518-524,
D6/548-550, 574; D8/300, 303, 315-321,
D8/349, 354, 363, 373, 380; 108/28-29;
211/13.1, 16, 60.1, 100, 86.01, 87.01, 88.01,
211/88.04, 105.1-105.2, 123, 182, 181.1;
248/176, 176.1, 251, 302, 309.1; 16/110.1,
16/412, 415; 242/570, 590, 595-598
See application file for complete search history.

(56) **References Cited**

U.S. PATENT DOCUMENTS

D299,894 S * 2/1989 Vignale D6/574

D443,163 S * 6/2001 Welch D6/574
D500,225 S * 12/2004 Suero, Jr. D6/574
D512,867 S * 12/2005 Gates et al. D6/574
D520,795 S * 5/2006 Kivett D6/574
D546,611 S * 7/2007 Bouroullec et al. D6/574
D549,026 S * 8/2007 Parshad D6/574

* cited by examiner

Primary Examiner—Brian N Vinson

(74) *Attorney, Agent, or Firm*—Rothwell, Figg, Ernst & Manbeck P.C.

(57) **CLAIM**

The ornamental design for a detachable counter, as shown and described herein.

DESCRIPTION

FIG. 1 shows a perspective view of the detachable counter from above;

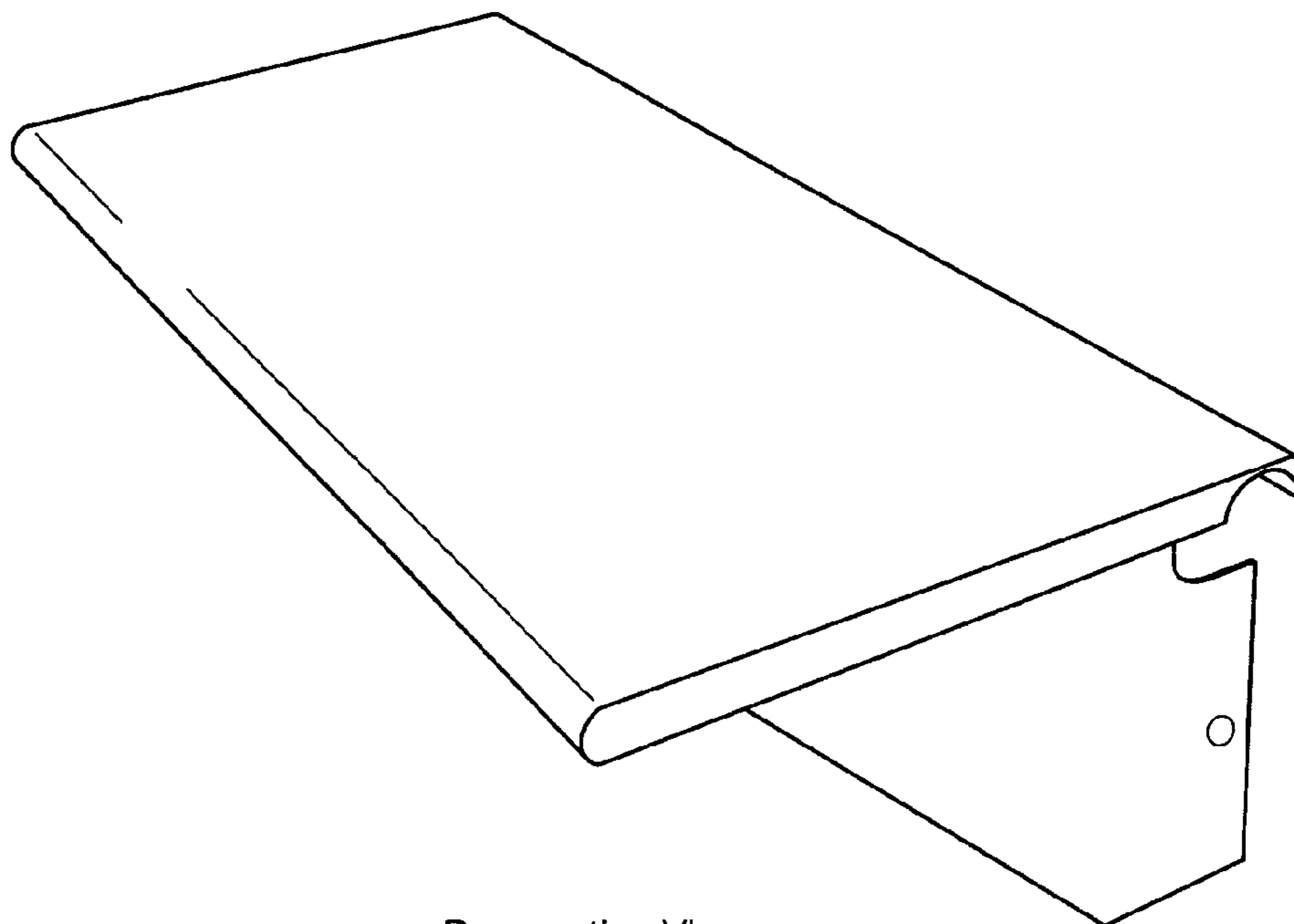
FIG. 2 shows a perspective view of the detachable counter from below;

FIG. 3 shows a perspective view of the detachable counter from a side, in folded condition;

FIG. 4 shows a first side end view of the detachable counter; and,

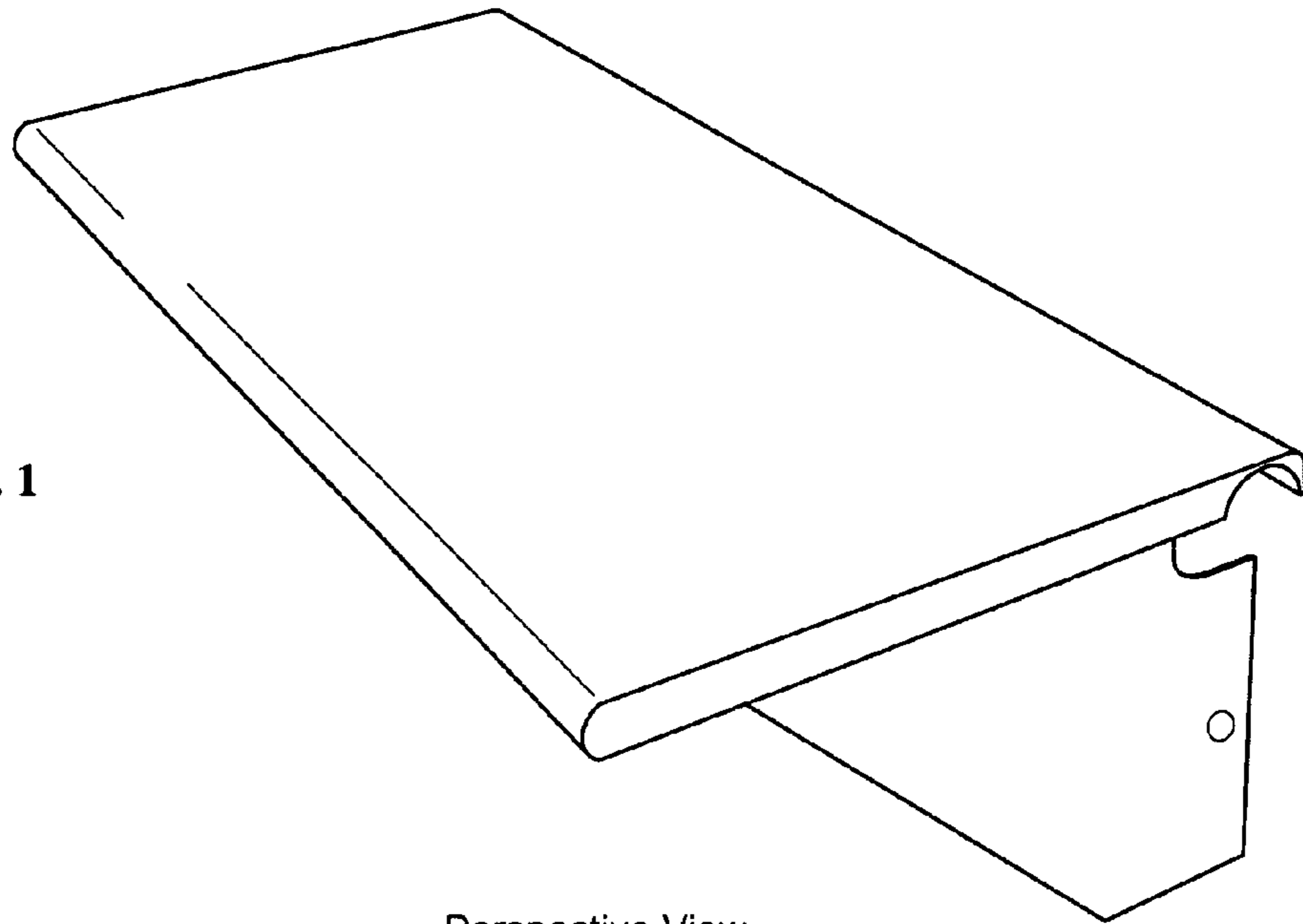
FIG. 5 shows a second side end view of the detachable counter.

1 Claim, 2 Drawing Sheets



Perspective View
above

Fig. 1



Perspective View
above

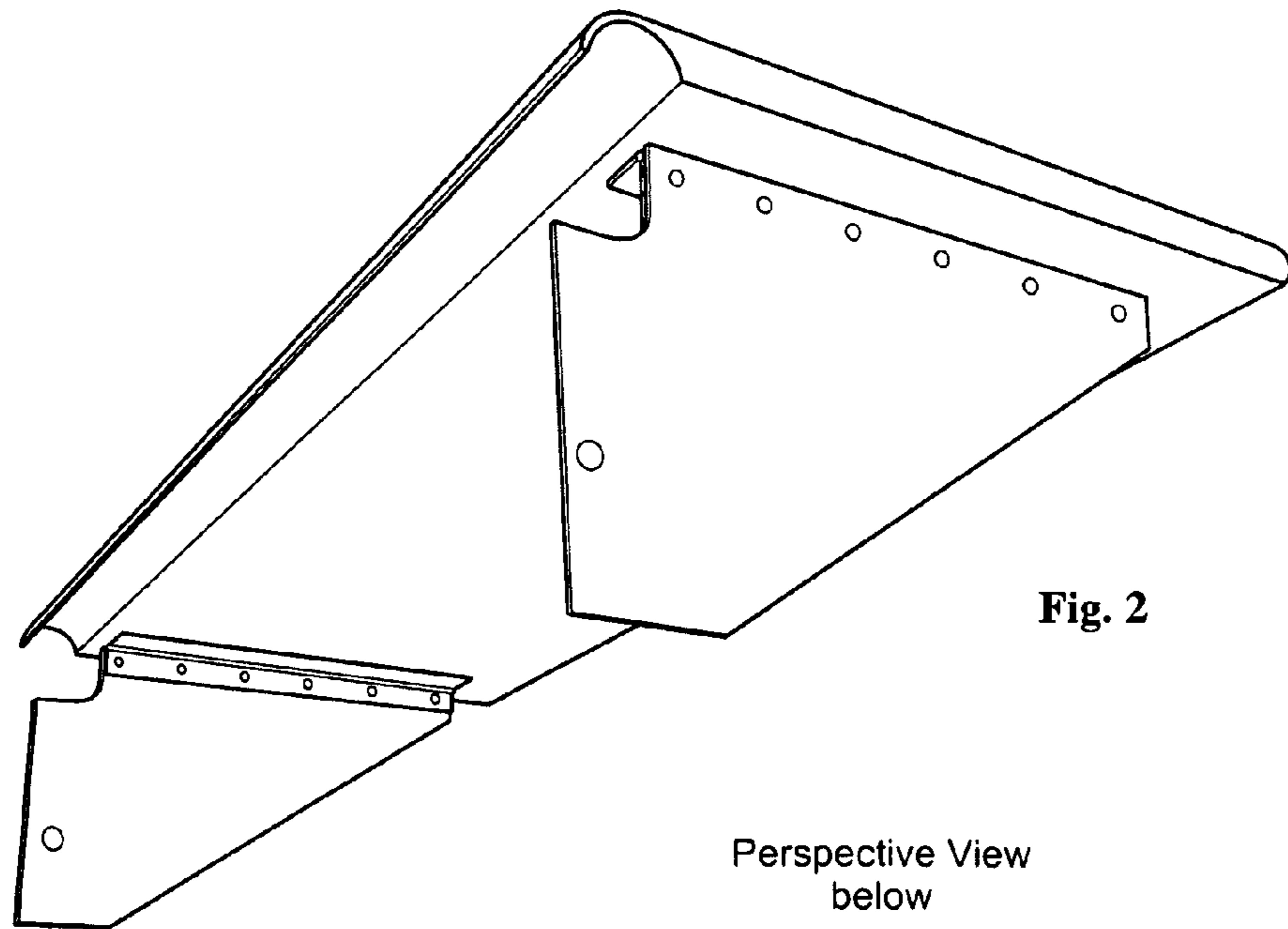


Fig. 2

Perspective View
below

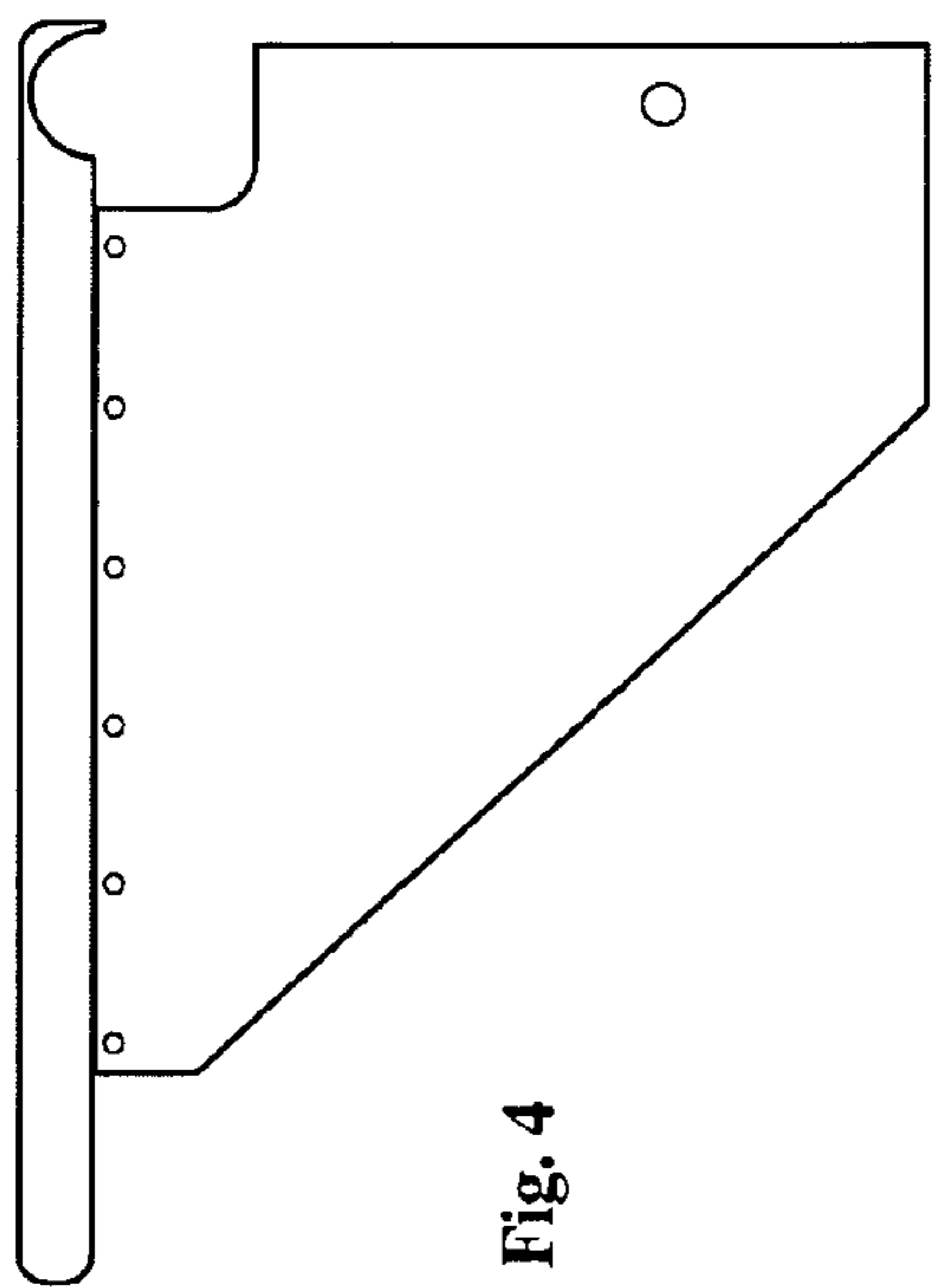


Fig. 4

One Side View

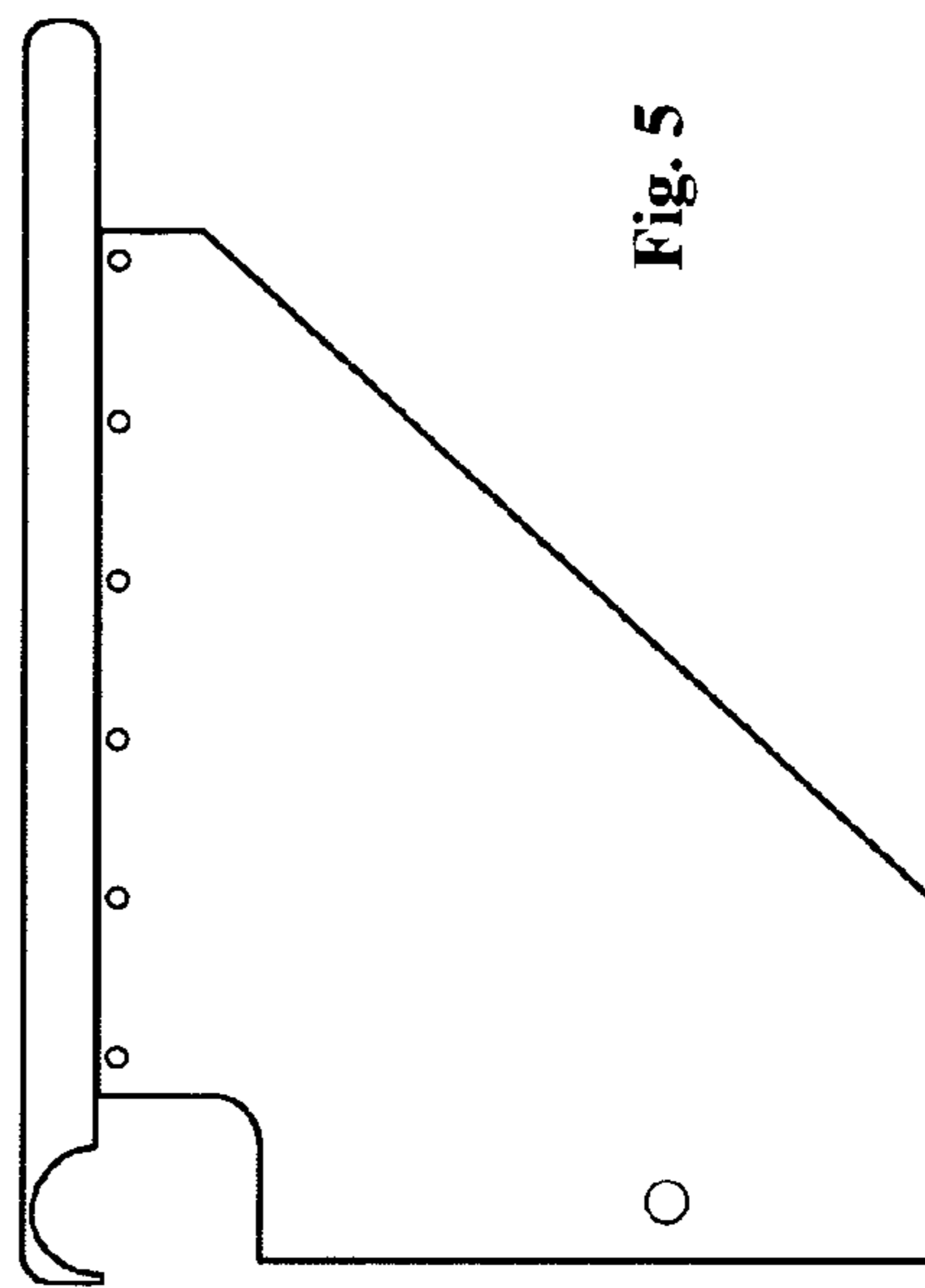
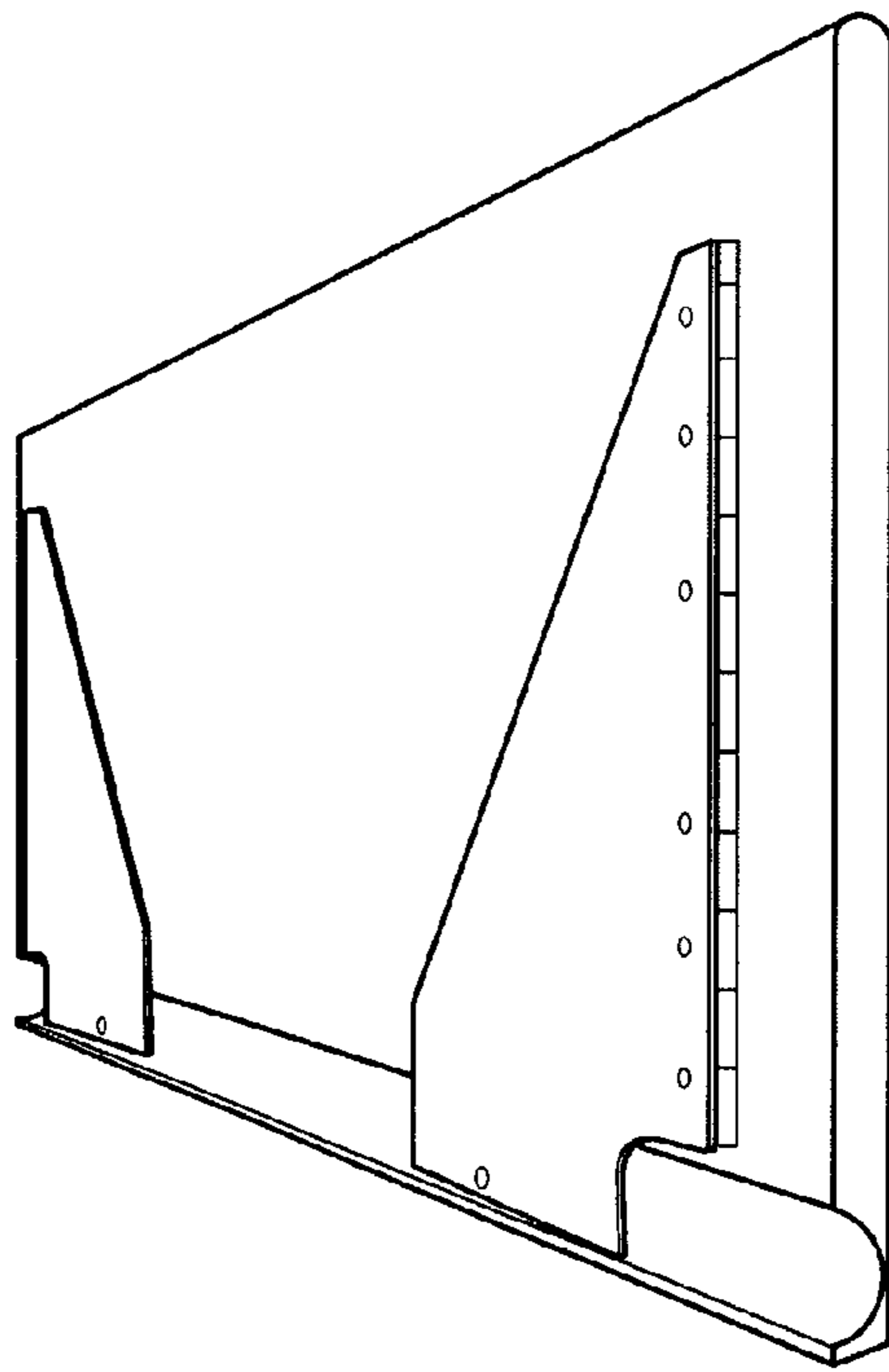


Fig. 5

The Other Side View



Side Perspective
Folded Condition

Fig. 3