

US00D598227S

(12) **United States Design Patent**  
**Oakes**

(10) **Patent No.:** **US D598,227 S**

(45) **Date of Patent:** **\*\* Aug. 18, 2009**

(54) **WALL MOUNTED STORAGE RACK WITH UNDERSIDE CANISTERS**

6,578,497 B2 6/2003 Reddig  
7,207,448 B1 4/2007 Marino, Jr.  
D542,583 S \* 5/2007 Watchowski et al. .... D6/553

(76) **Inventor:** **Thomas J Oakes**, 3959 Old Highway  
18, Vernon, AL (US) 35592

\* cited by examiner

(\*\*) **Term:** **14 Years**

*Primary Examiner*—Brian N Vinson

(21) **Appl. No.:** **29/321,997**

(57) **CLAIM**

(22) **Filed:** **Jul. 28, 2008**

The ornamental design for a wall mounted storage rack with underside canisters, as shown and described.

(51) **LOC (9) Cl.** ..... **06-04**

(52) **U.S. Cl.** ..... **D6/553**

(58) **Field of Classification Search** ..... D6/553,  
D6/559; D7/707-708; 211/13.1, 74, 75,  
211/77-78, 85.4, 87.01; 206/6.1

See application file for complete search history.

**DESCRIPTION**

FIG. 1 is a front elevation view of a wall mounted storage rack with underside canisters showing my new design;

FIG. 2 is a rear elevation view thereof;

FIG. 3 is a right elevation view thereof;

FIG. 4 is a left elevation view thereof;

FIG. 5 is a top plan view thereof;

FIG. 6 is a bottom plan view thereof; and,

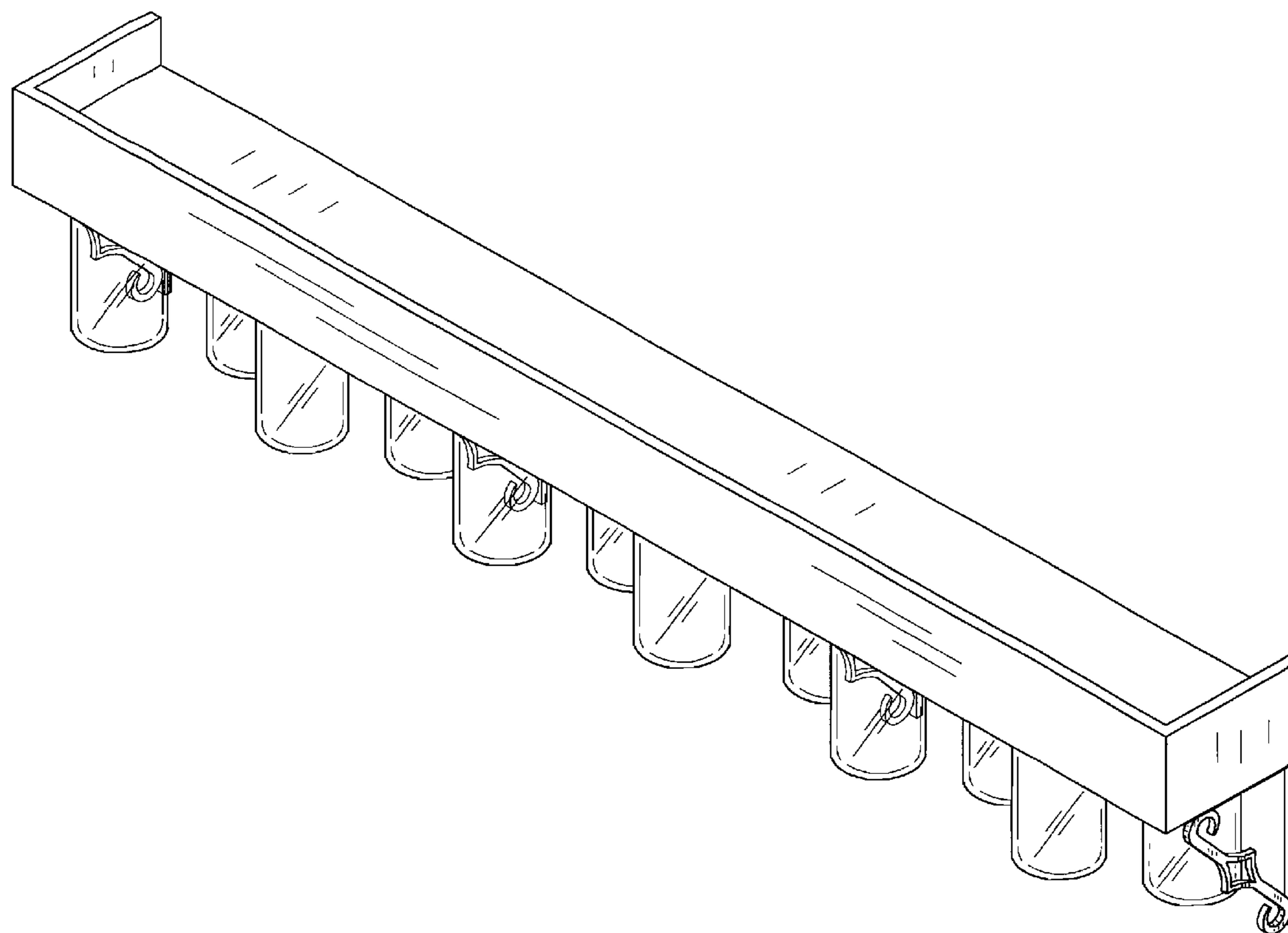
FIG. 7 is an isometric view thereof.

(56) **References Cited**

U.S. PATENT DOCUMENTS

2,557,801 A 6/1951 Shapiro  
4,019,638 A 4/1977 Miller  
D329,573 S \* 9/1992 Picard ..... D6/559  
D369,710 S \* 5/1996 Picard et al. .... D6/559

**1 Claim, 4 Drawing Sheets**



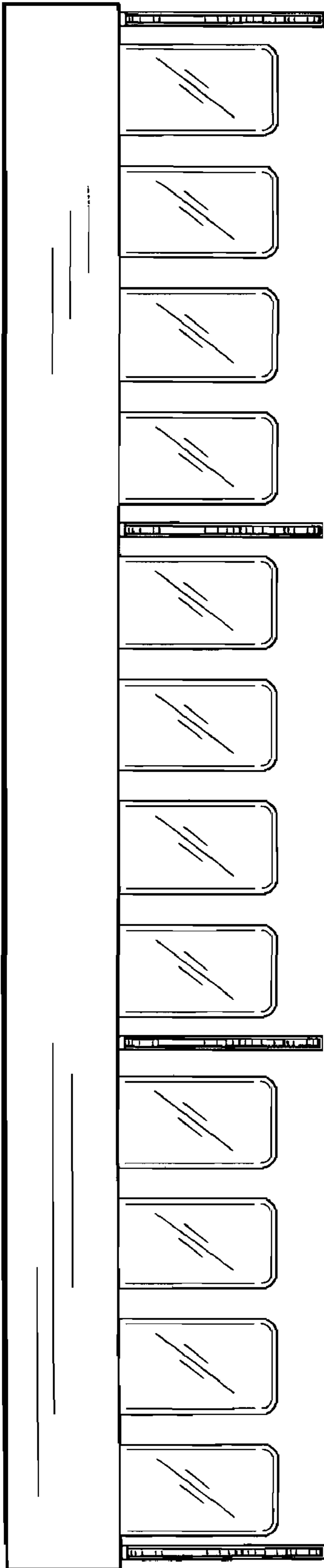


FIG. 1

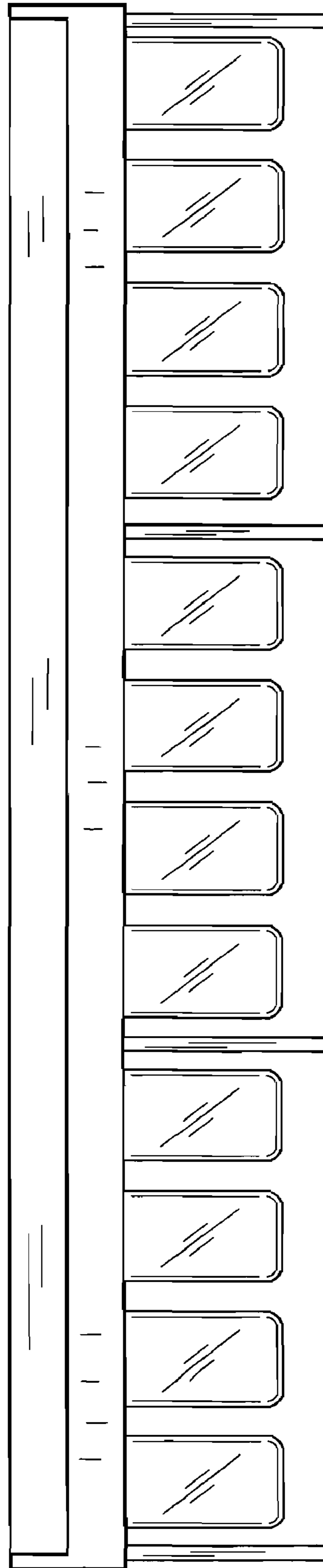
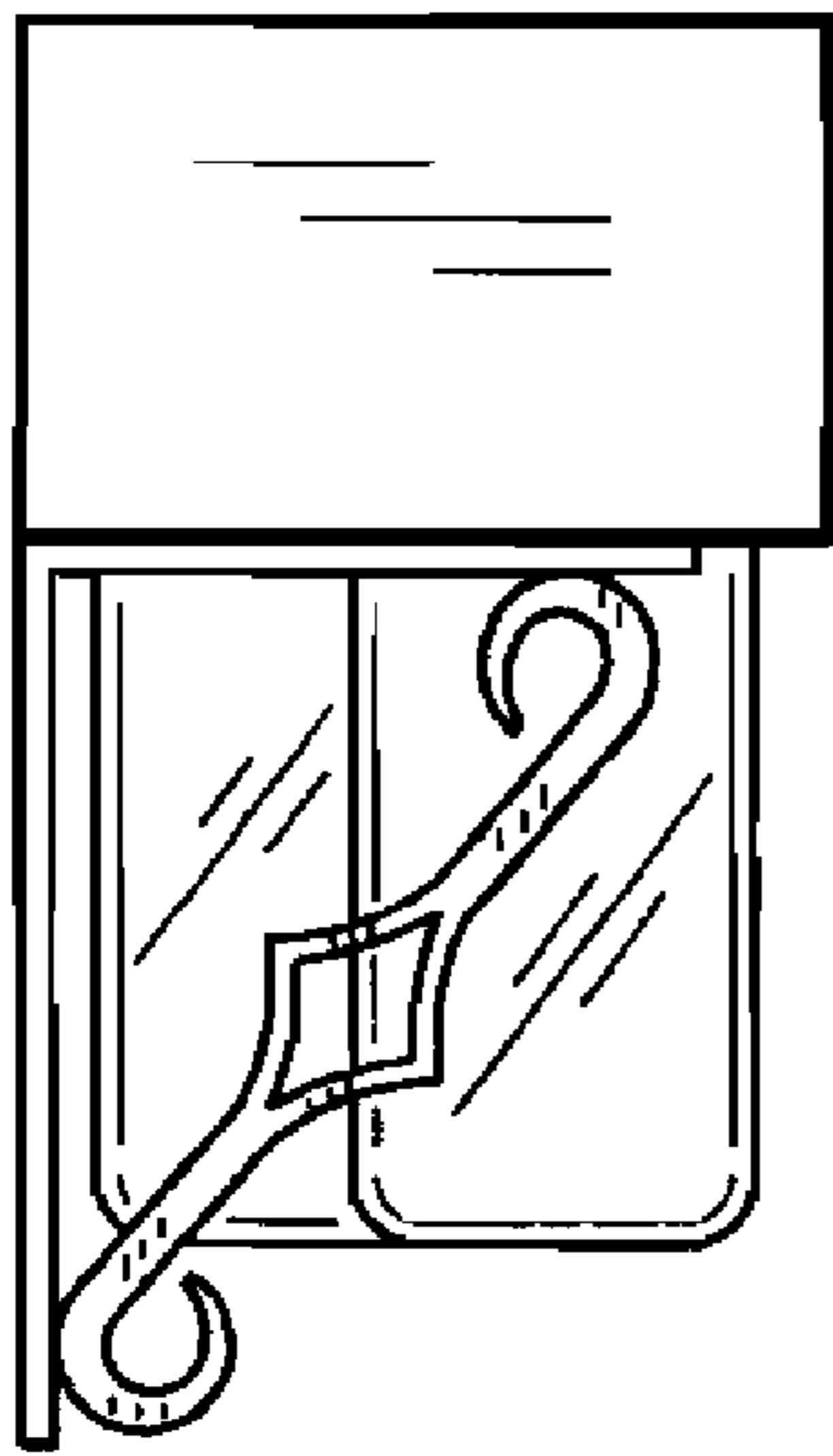
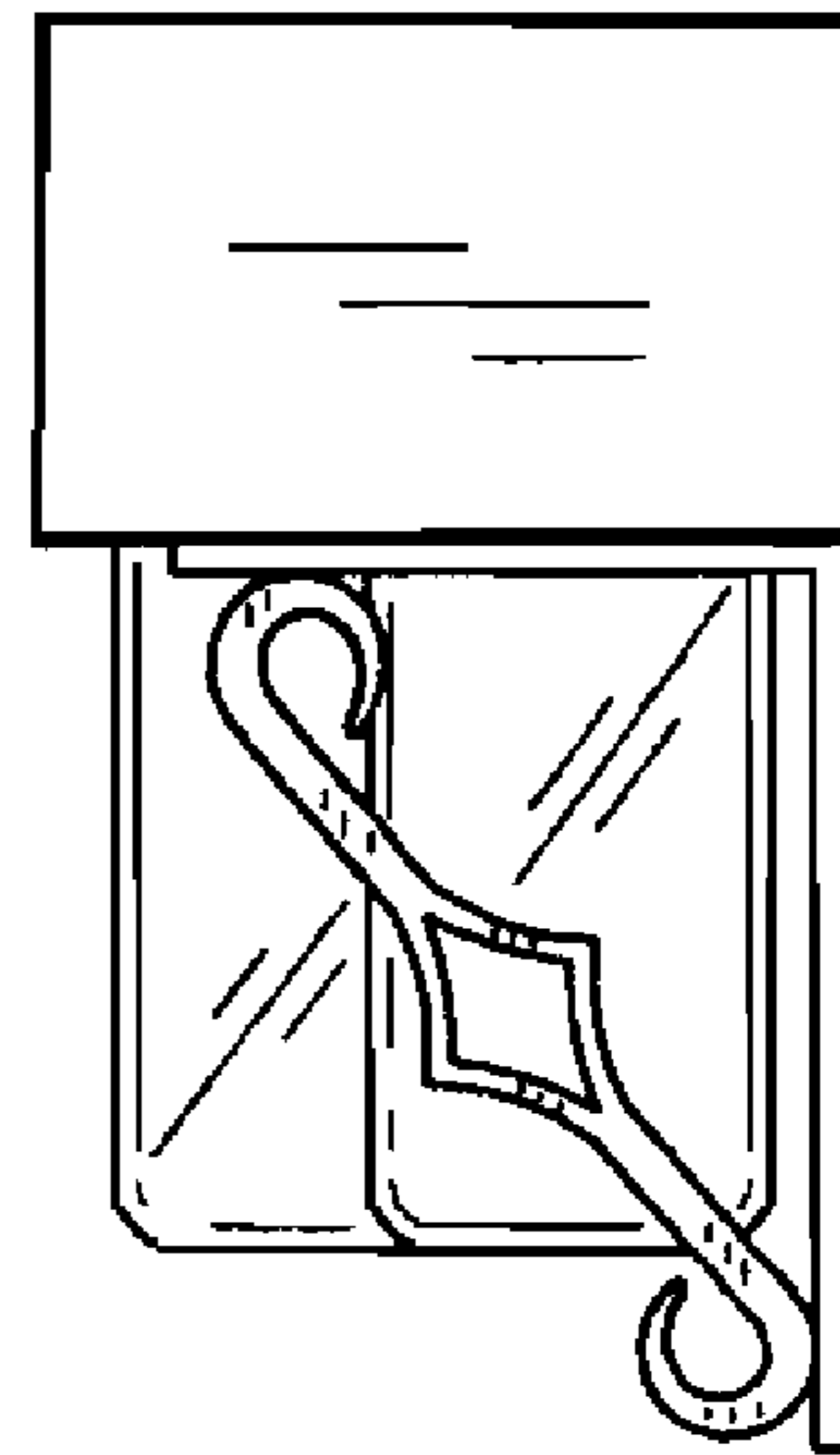


FIG. 2



**FIG. 3**



**FIG. 4**

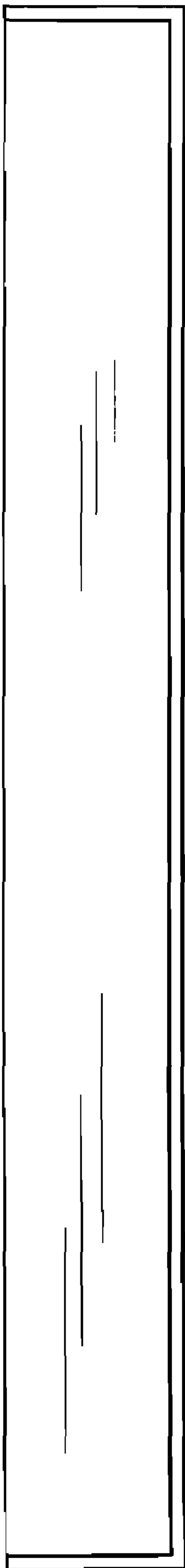


FIG. 5

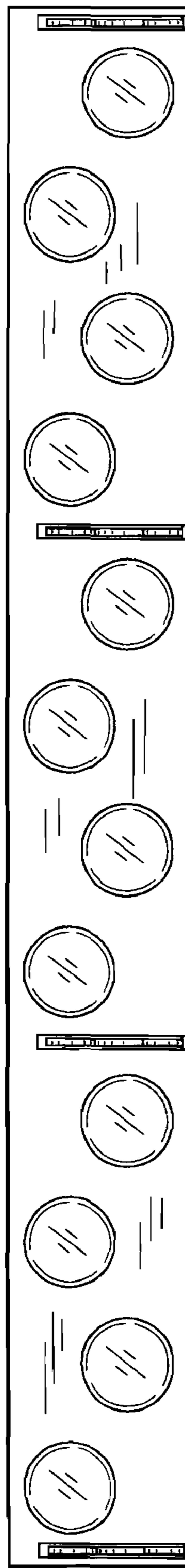


FIG. 6

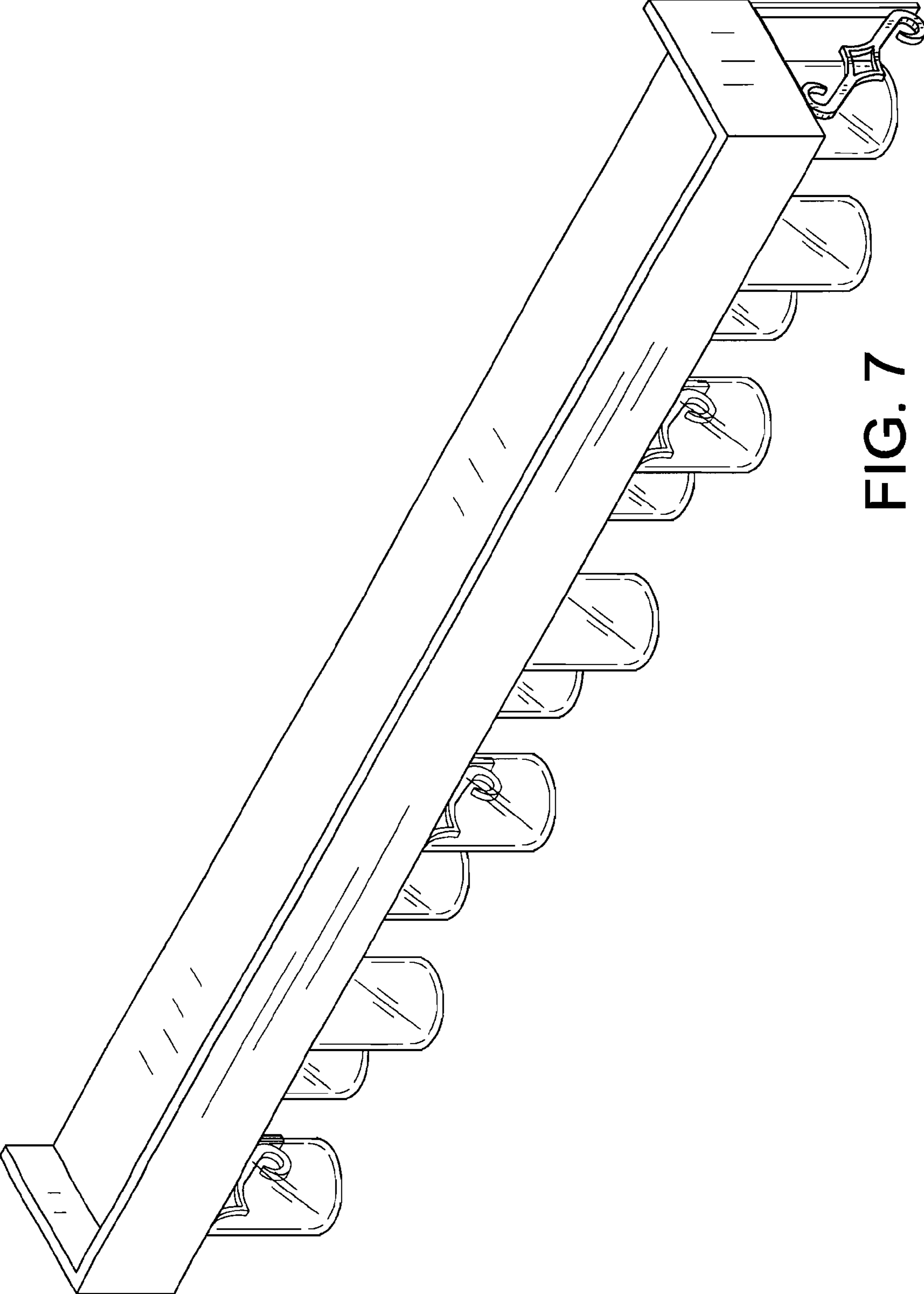


FIG. 7