



US00D598226S

(12) **United States Design Patent**
Byers

(10) **Patent No.:** **US D598,226 S**

(45) **Date of Patent:** **** Aug. 18, 2009**

- (54) **FISHING ROD RACK**
- (75) Inventor: **Gary L. Byers**, Columbia Falls, MT
(US)
- (73) Assignee: **Locan Properties LLC**, Kalispell, MT
(US)
- (**) Term: **14 Years**
- (21) Appl. No.: **29/308,375**
- (22) Filed: **Jun. 12, 2008**
- (51) **LOC (9) Cl.** **08-08**
- (52) **U.S. Cl.** **D6/552**
- (58) **Field of Classification Search** D6/512,
D6/553, 567, 566; D22/147, 148; 211/70.8,
211/13.1

- D349,631 S 8/1994 Redmon
- D354,639 S 1/1995 Stoddard et al.
- D354,641 S 1/1995 Stoddard et al.
- D355,334 S 2/1995 Minor
- D355,995 S 3/1995 Stoddard et al.
- D357,386 S 4/1995 Jones
- D359,886 S 7/1995 Plessas et al.
- 5,435,473 A * 7/1995 Larkum 224/922
- D381,392 S * 7/1997 Darling D22/147
- 5,715,952 A * 2/1998 Chichetti 224/922
- 5,815,976 A * 10/1998 Jernigan et al. 224/922
- D409,050 S 5/1999 Anderson et al.
- D416,770 S 11/1999 Thorpe
- D418,022 S 12/1999 Hansen
- D419,387 S 1/2000 Hansen
- D419,388 S 1/2000 Hansen
- D419,389 S 1/2000 Hansen
- D420,552 S 2/2000 Hansen

(Continued)

See application file for complete search history.

Primary Examiner—Brian N Vinson

(74) *Attorney, Agent, or Firm*—Dowrey & Associates

(56) **References Cited**

U.S. PATENT DOCUMENTS

- 2,758,410 A 8/1956 Cowsert
- 2,876,581 A 3/1959 Schmidt
- 3,032,913 A 5/1962 Voll
- 3,142,930 A 8/1964 Lambach
- 3,168,790 A 2/1965 Creasey
- D218,349 S 8/1970 Feeney
- D253,988 S 1/1980 Eagar
- D255,259 S * 6/1980 Nelson D22/147
- D262,711 S 1/1982 Cox et al.
- 4,320,856 A 3/1982 Stewart et al.
- D271,173 S 11/1983 Keshishian
- 4,566,292 A 1/1986 Parmet
- D283,009 S 3/1986 Jennette
- D289,598 S 5/1987 Parmet
- D291,524 S 8/1987 Yanniell et al.
- 4,817,327 A 4/1989 DeKay
- 5,033,223 A * 7/1991 Minter 224/922
- 5,044,109 A * 9/1991 Fast 224/666
- D349,008 S 7/1994 Minor
- D349,629 S 8/1994 Redmon
- D349,630 S 8/1994 Redmon

(57) **CLAIM**

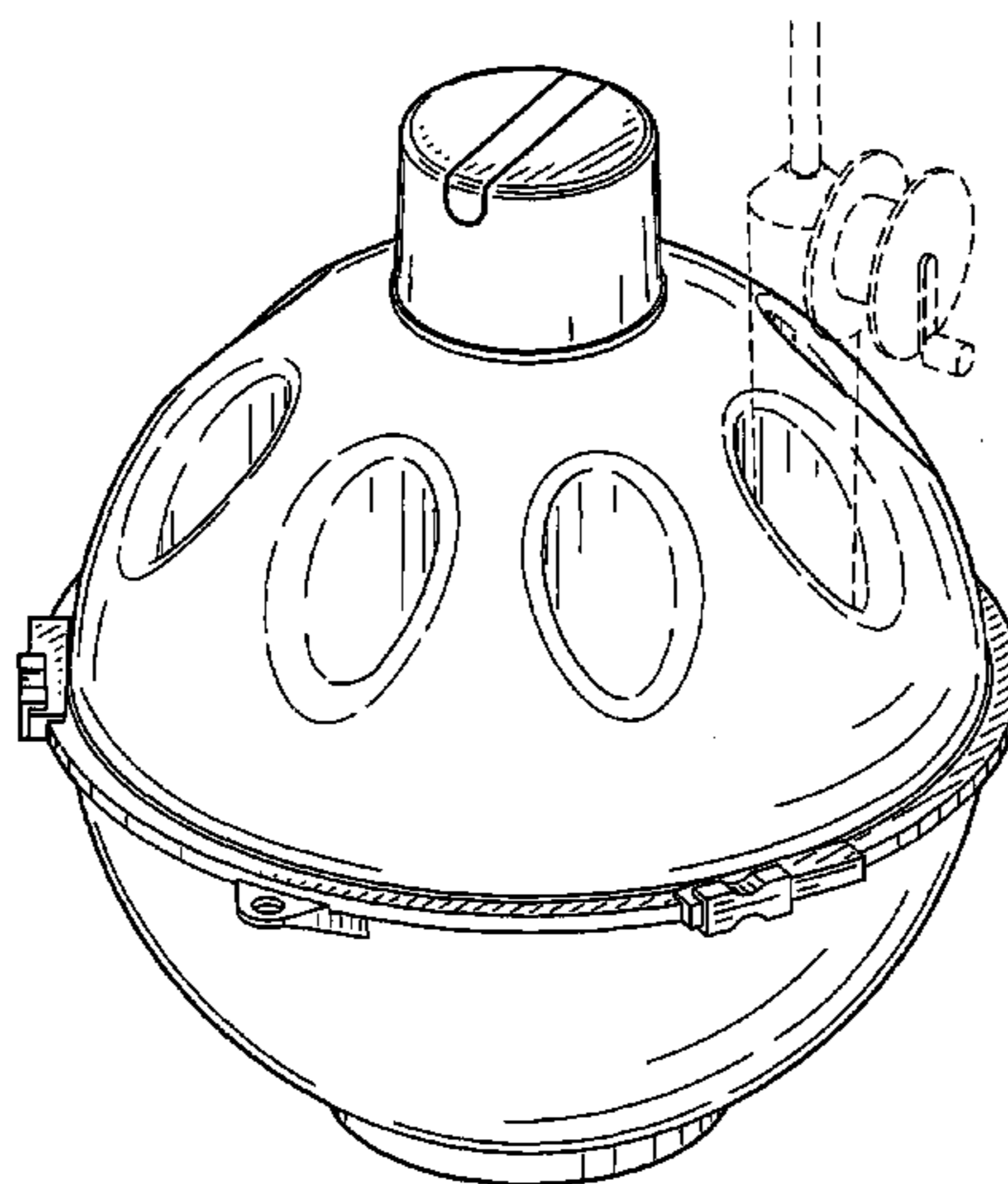
The ornamental design for a fishing rod rack, as shown and described.

DESCRIPTION

- FIG. 1 is a perspective view of a fishing rod rack showing my new design;
- FIG. 2 is a front elevational view thereof;
- FIG. 3 is a rear elevational view thereof;
- FIG. 4 is a right side elevational view of the fishing rod rack thereof, the left side being a mirror image of that shown;
- FIG. 5 is a top plan view thereof; and,
- FIG. 6 is a bottom plan view thereof.

The broken-line disclosure of a portion of a fishing rod in the views is for illustrative purposes only and forms no part of the claimed design.

1 Claim, 4 Drawing Sheets



US D598,226 S

Page 2

U.S. PATENT DOCUMENTS

D420,861 S	2/2000	Hansen	D431,977 S	10/2000	Borges	
D422,847 S	4/2000	Hansen	D432,369 S	10/2000	Borges	
D423,296 S	4/2000	Hansen	D434,607 S	12/2000	Hansen	
D423,297 S	4/2000	Hansen	D439,115 S	3/2001	Bidwell	
D423,298 S	4/2000	Hansen	D452,120 S	12/2001	Brangle et al.	
D423,882 S	5/2000	Hansen	D458,878 S *	6/2002	Greco	D6/552
D423,883 S	5/2000	Hansen	D505,050 S	5/2005	Johnson et al.	

* cited by examiner

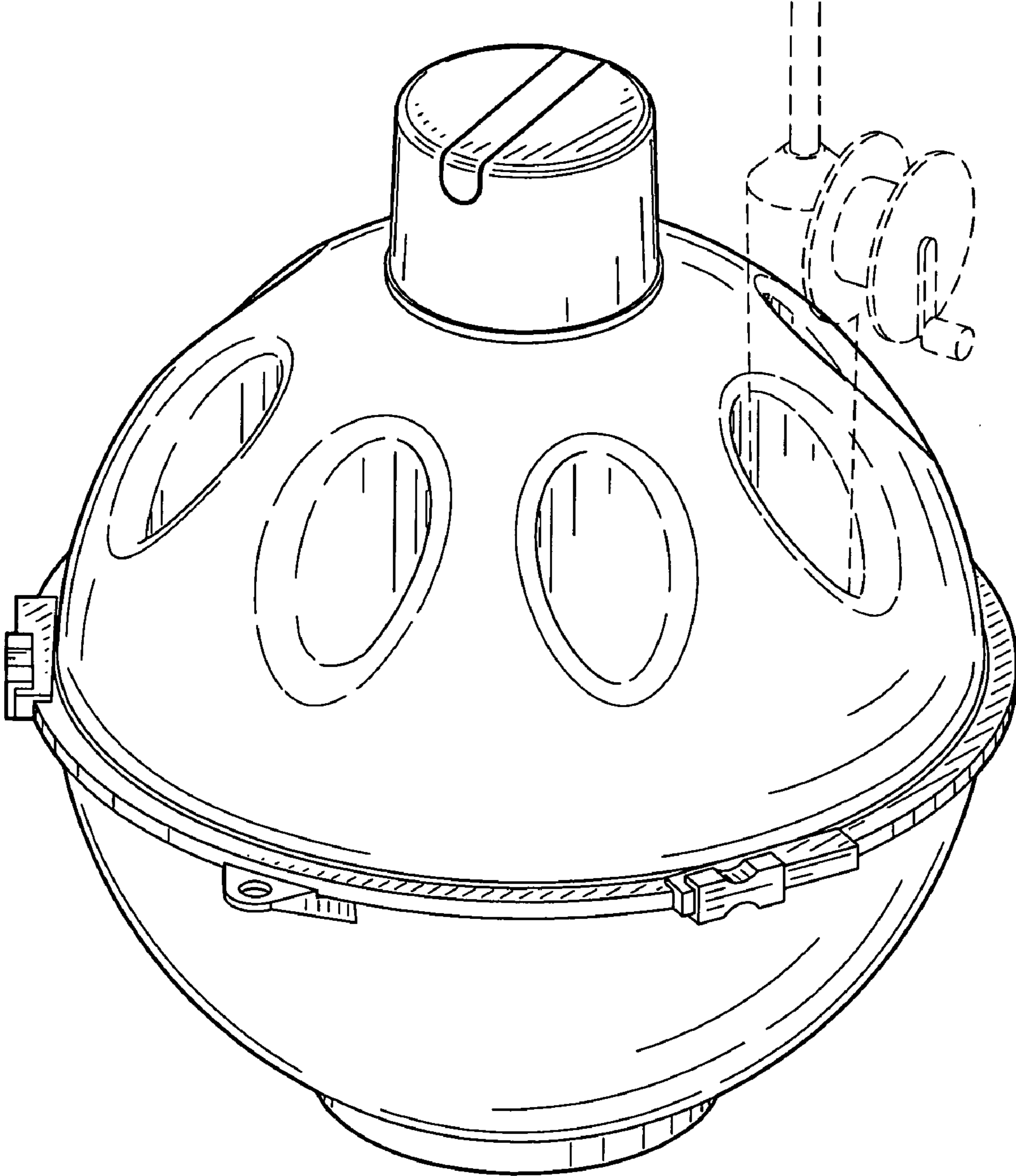


FIG.1

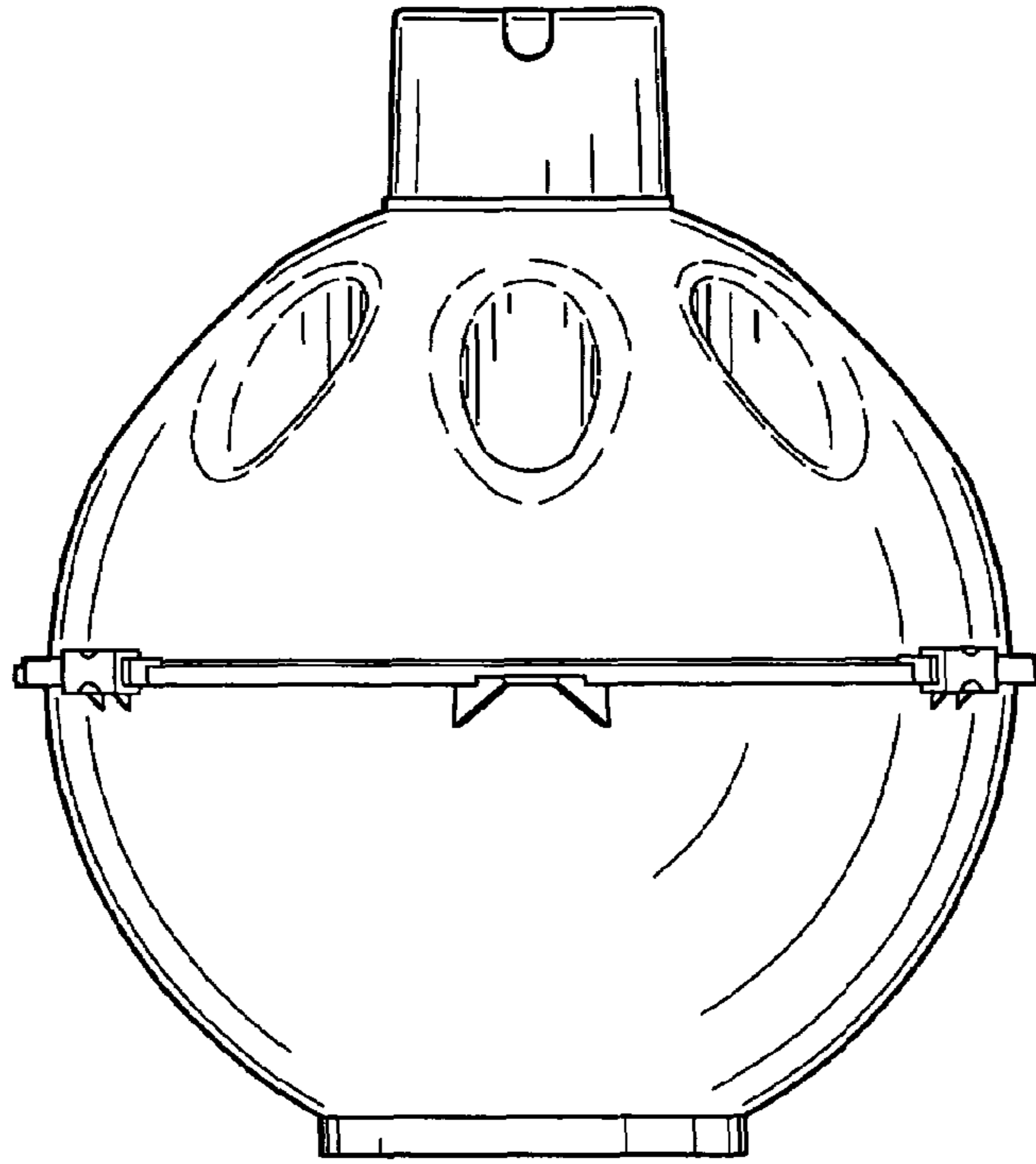


FIG. 2

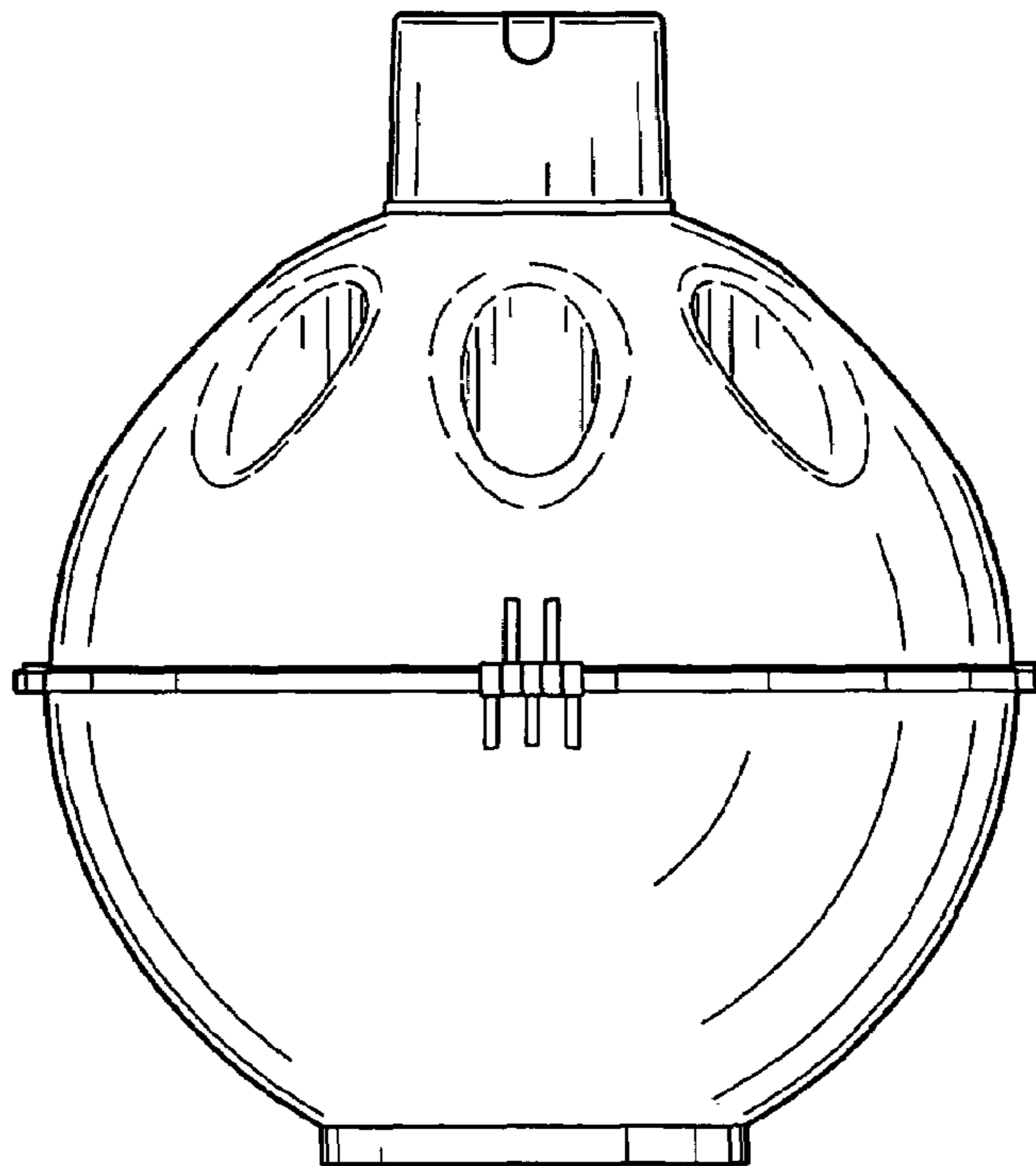


FIG. 3

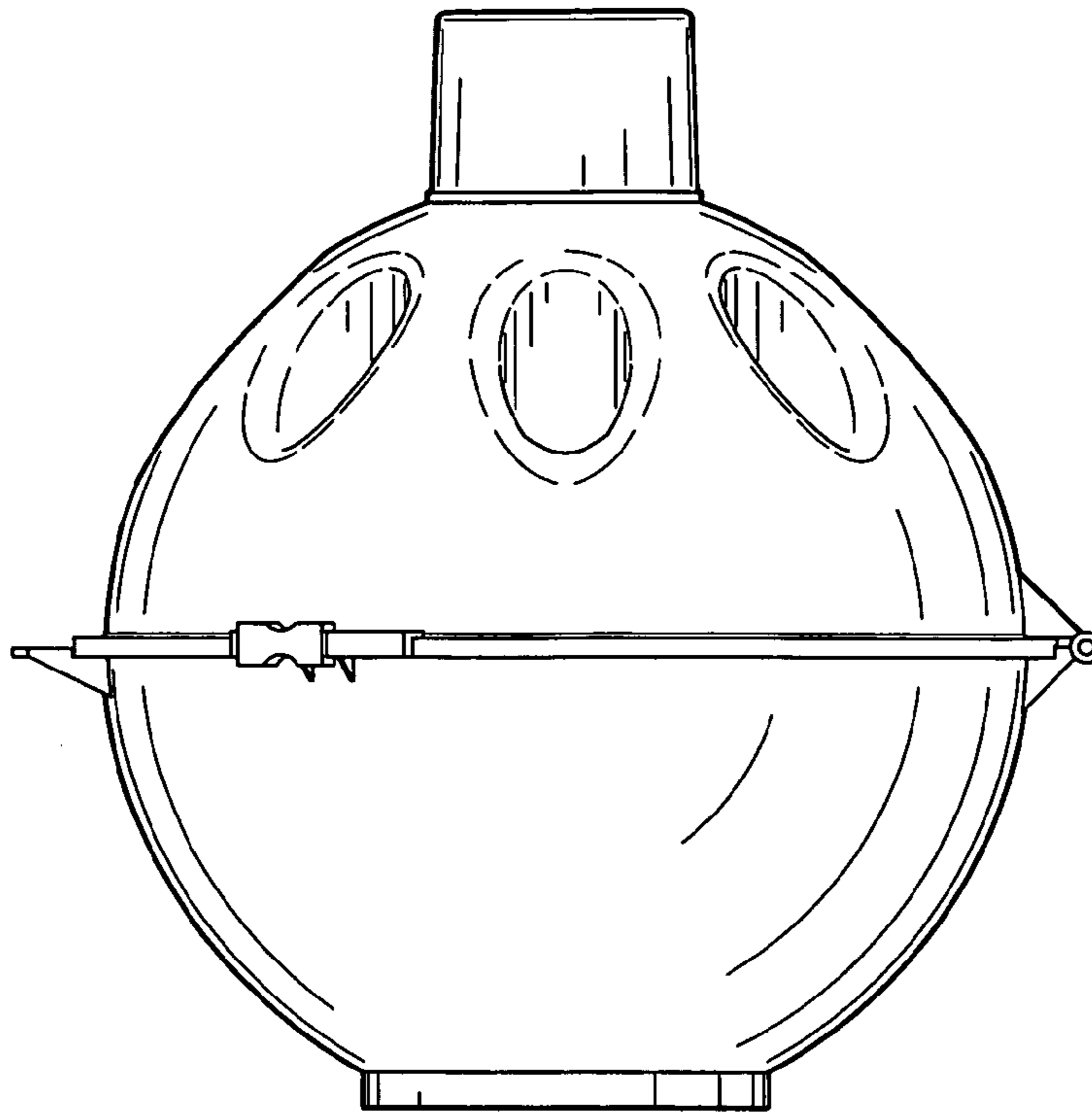


FIG. 4

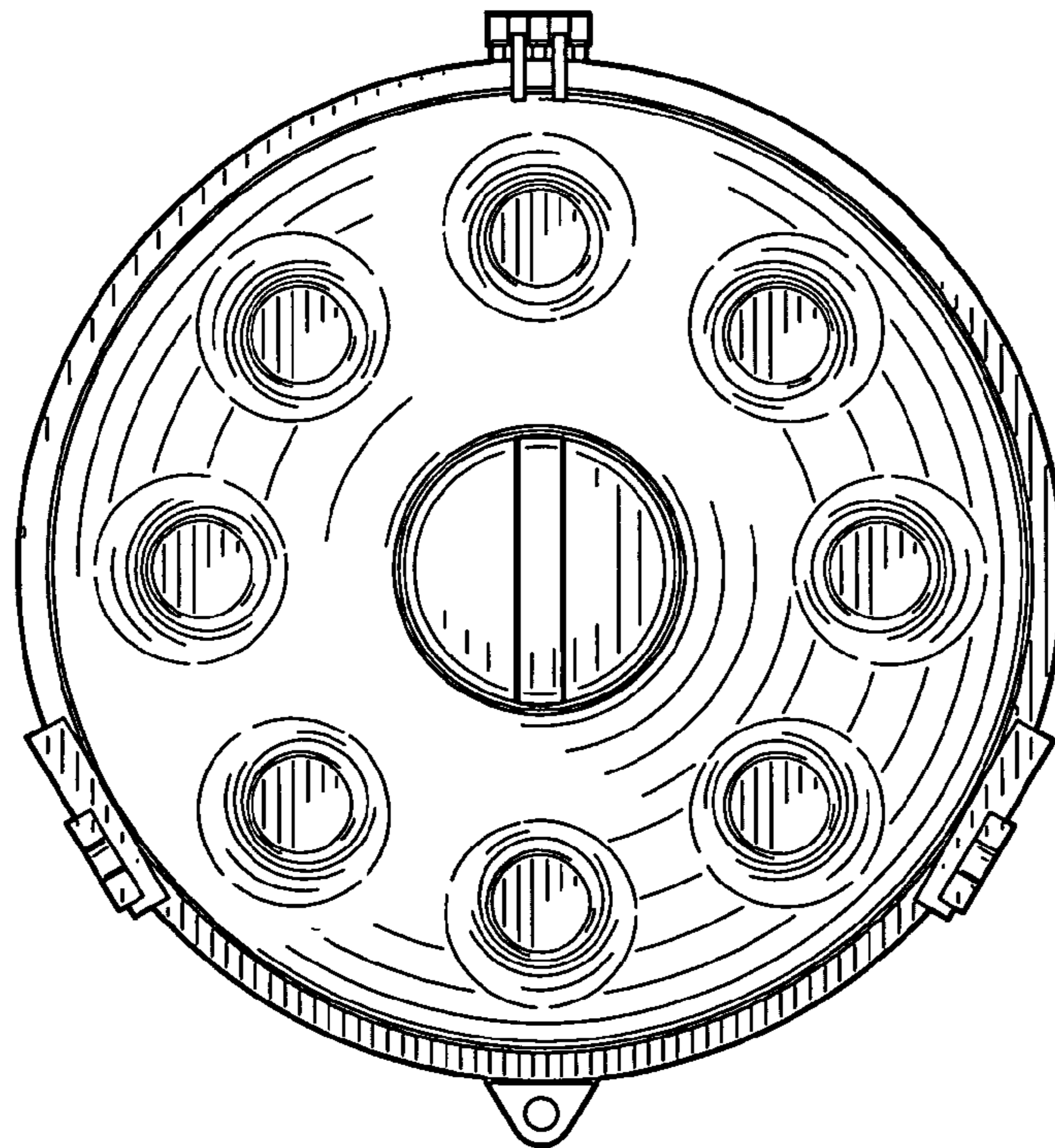


FIG. 5

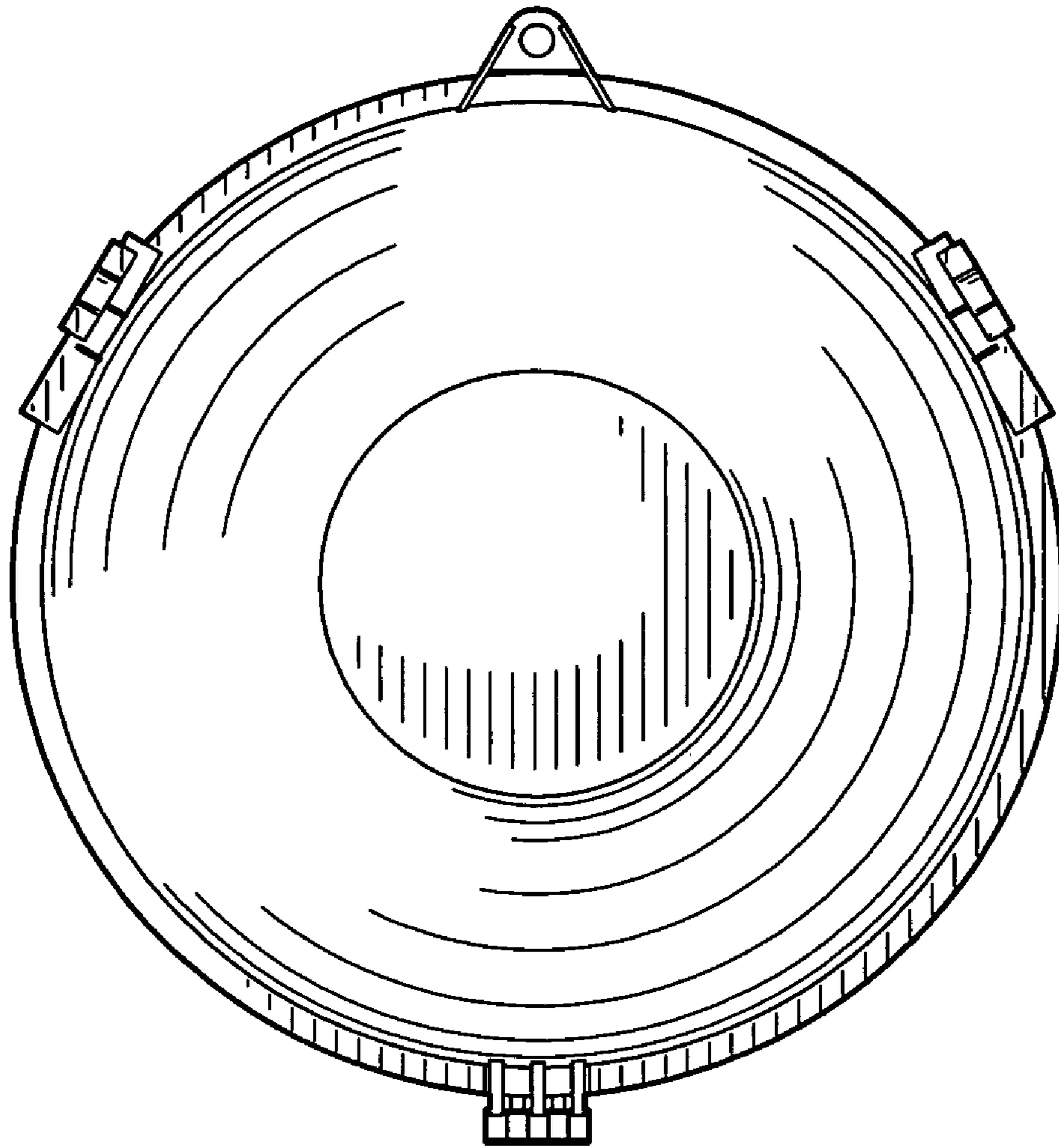


FIG. 6