



US00D598225S

(12) **United States Design Patent**
Odegard

(10) **Patent No.:** **US D598,225 S**

(45) **Date of Patent:** **** Aug. 18, 2009**

(54) **TOILET PAPER HOLDER**

(76) Inventor: **Donald Odegard**, 2806 S. 150th St.,
Seattle, WA (US) 98188

(**) Term: **14 Years**

(21) Appl. No.: **29/329,063**

(22) Filed: **Dec. 8, 2008**

(51) **LOC (9) Cl.** **23-02**

(52) **U.S. Cl.** **D6/523**

(58) **Field of Classification Search** D6/518-524,
D6/546-550; D8/300, 370, 315; 108/28-29;
211/13.1, 16, 85.5, 86.01, 87.01, 88.04, 100,
211/105.1, 105.2, 106, 113, 123, 181.1, 182-183;
248/49, 175, 176.1, 200, 201, 205.1, 251,
248/302, 309.1, 315; 242/570, 590, 595-598
See application file for complete search history.

(56) **References Cited**

U.S. PATENT DOCUMENTS

- 2,879,012 A * 3/1959 Sarro 242/590
- 4,553,710 A * 11/1985 Pool 242/590
- D327,192 S * 6/1992 Geuvjehizian D6/518
- D327,193 S * 6/1992 Crook et al. D6/523
- D369,500 S 5/1996 Hansen, II
- D403,191 S * 12/1998 Paul et al. D6/523

D448,224 S * 9/2001 Voyer D6/519

* cited by examiner

Primary Examiner—Brian N Vinson

(74) *Attorney, Agent, or Firm*—Larkin Hoffman Daly &
Lindgren Ltd.; Thomas J. Oppold

(57) **CLAIM**

The ornamental design for a toilet paper holder, as shown and described.

DESCRIPTION

FIG. 1 is a perspective view of a toilet tissue holder of the present design;

FIG. 2 is a front elevation view of the toilet tissue holder of FIG. 1;

FIG. 3 is a rear elevation view of the toilet tissue holder of FIG. 1;

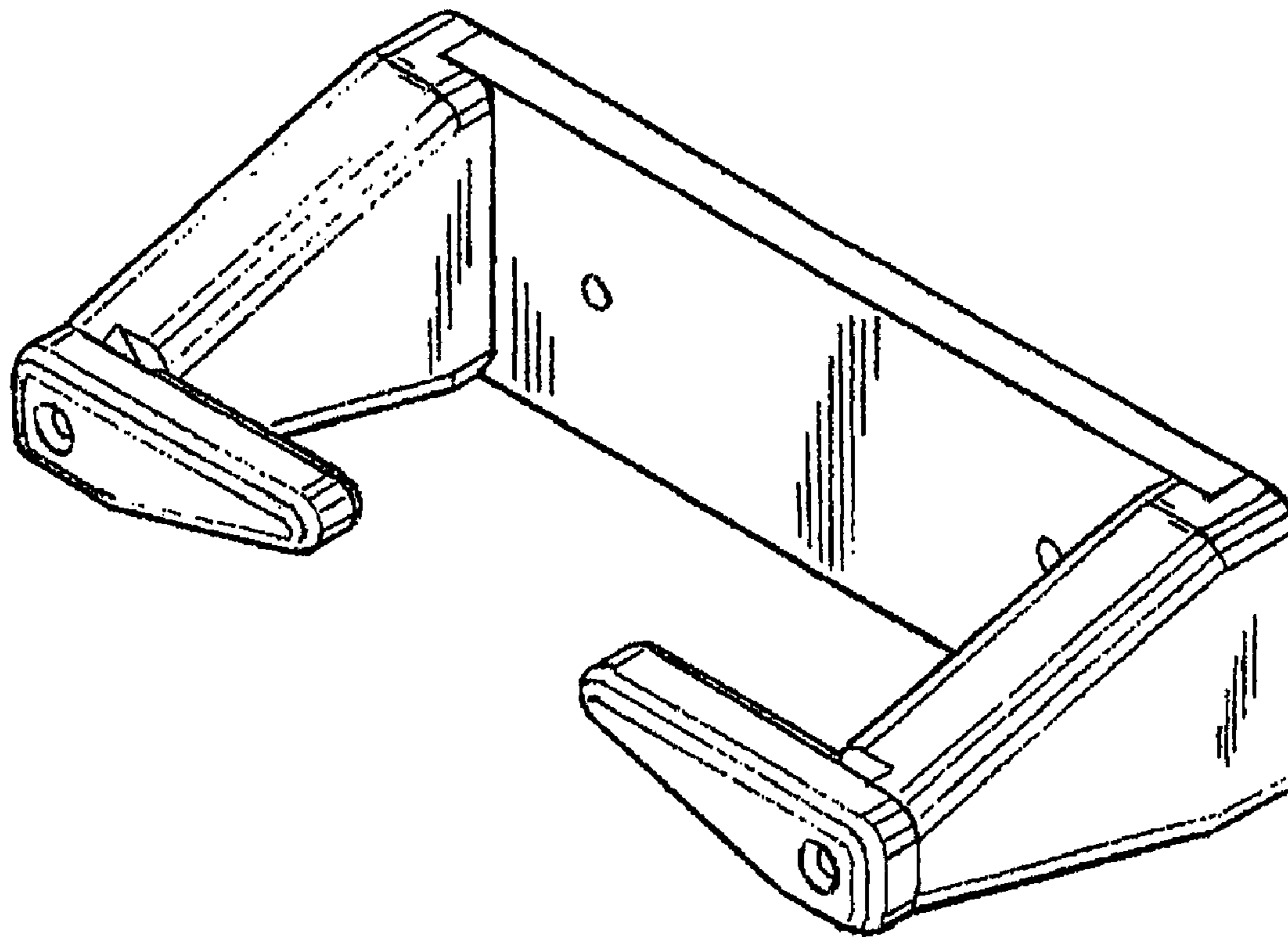
FIG. 4 is a left side elevation view of the toilet tissue holder of FIG. 1;

FIG. 5 is a right side elevation view of the toilet tissue holder of FIG. 1;

FIG. 6 is a top plan view of the toilet tissue holder of FIG. 1; and,

FIG. 7 is a bottom plan view of the toilet tissue holder of FIG. 1.

1 Claim, 4 Drawing Sheets



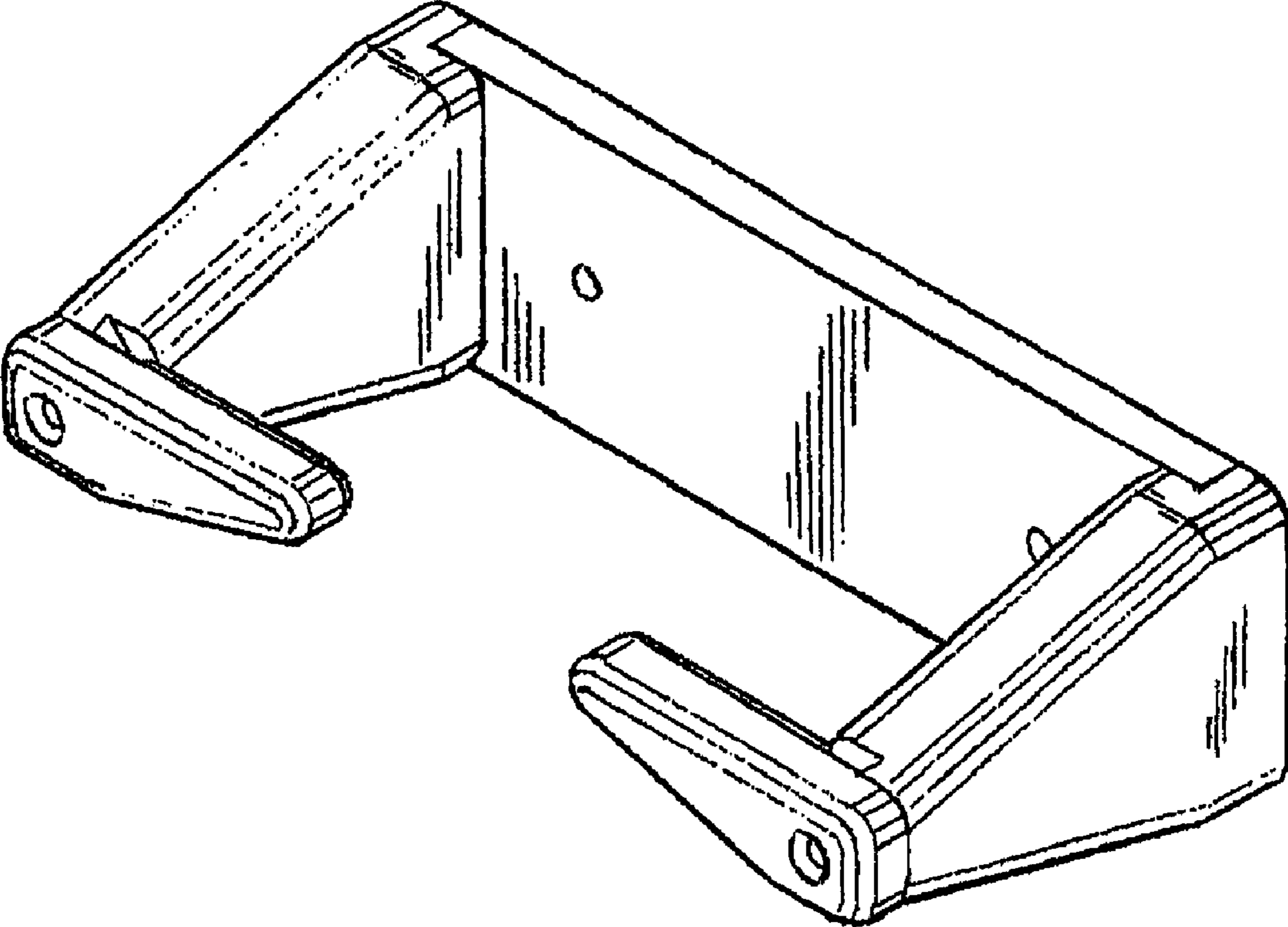


FIG. 1

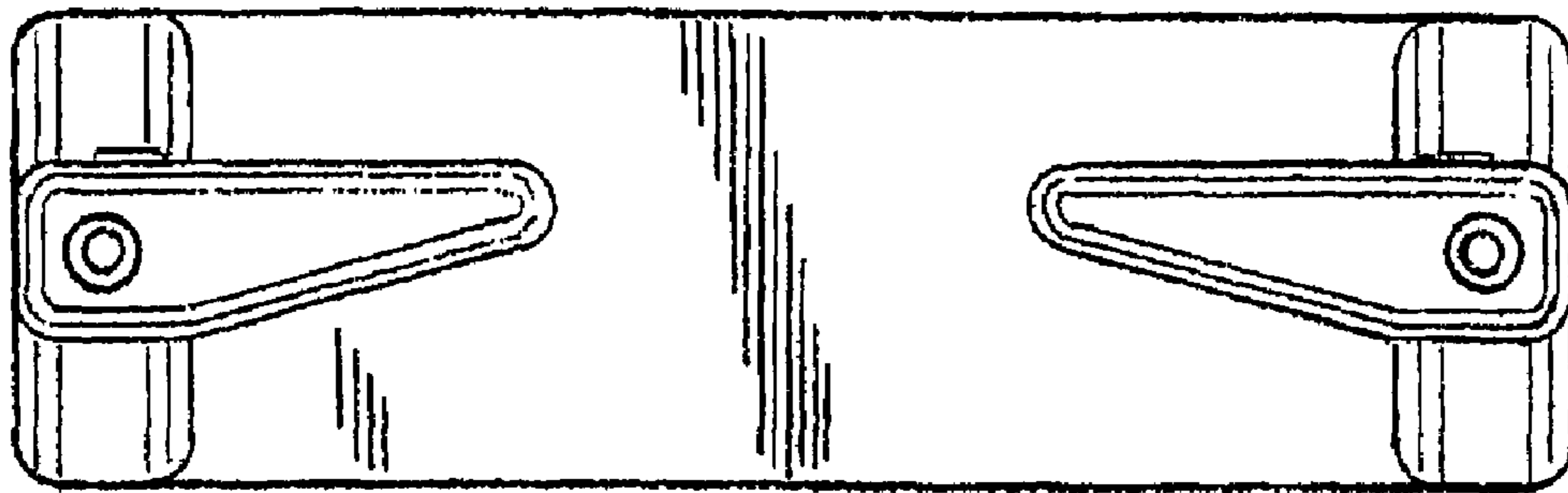


FIG. 2

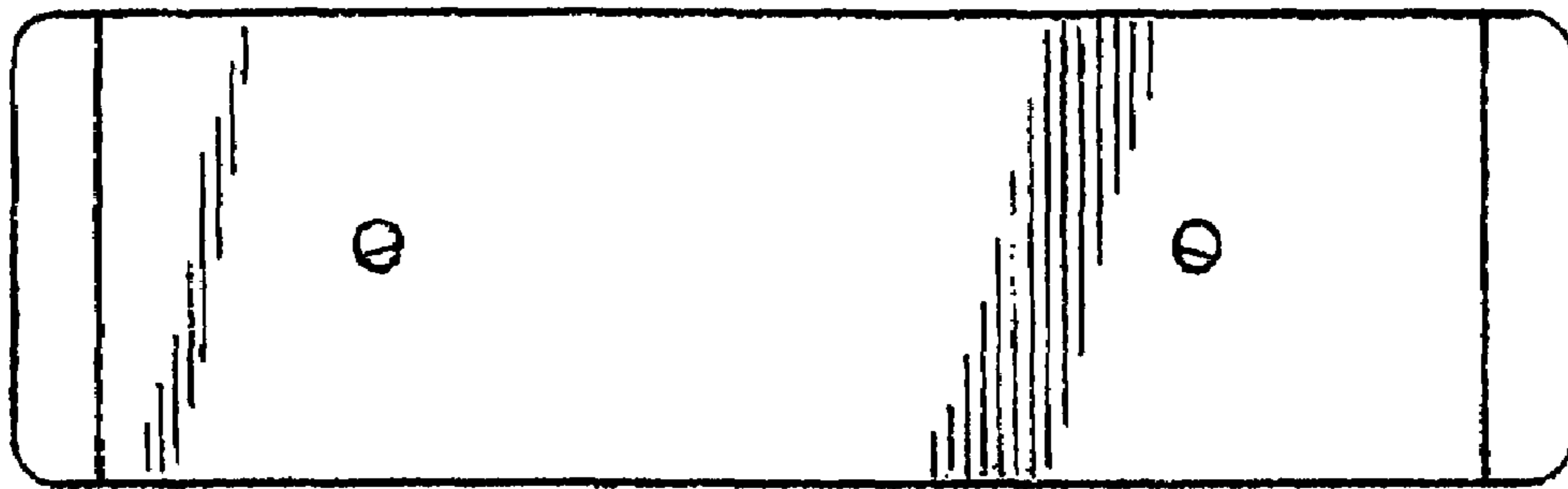


FIG. 3

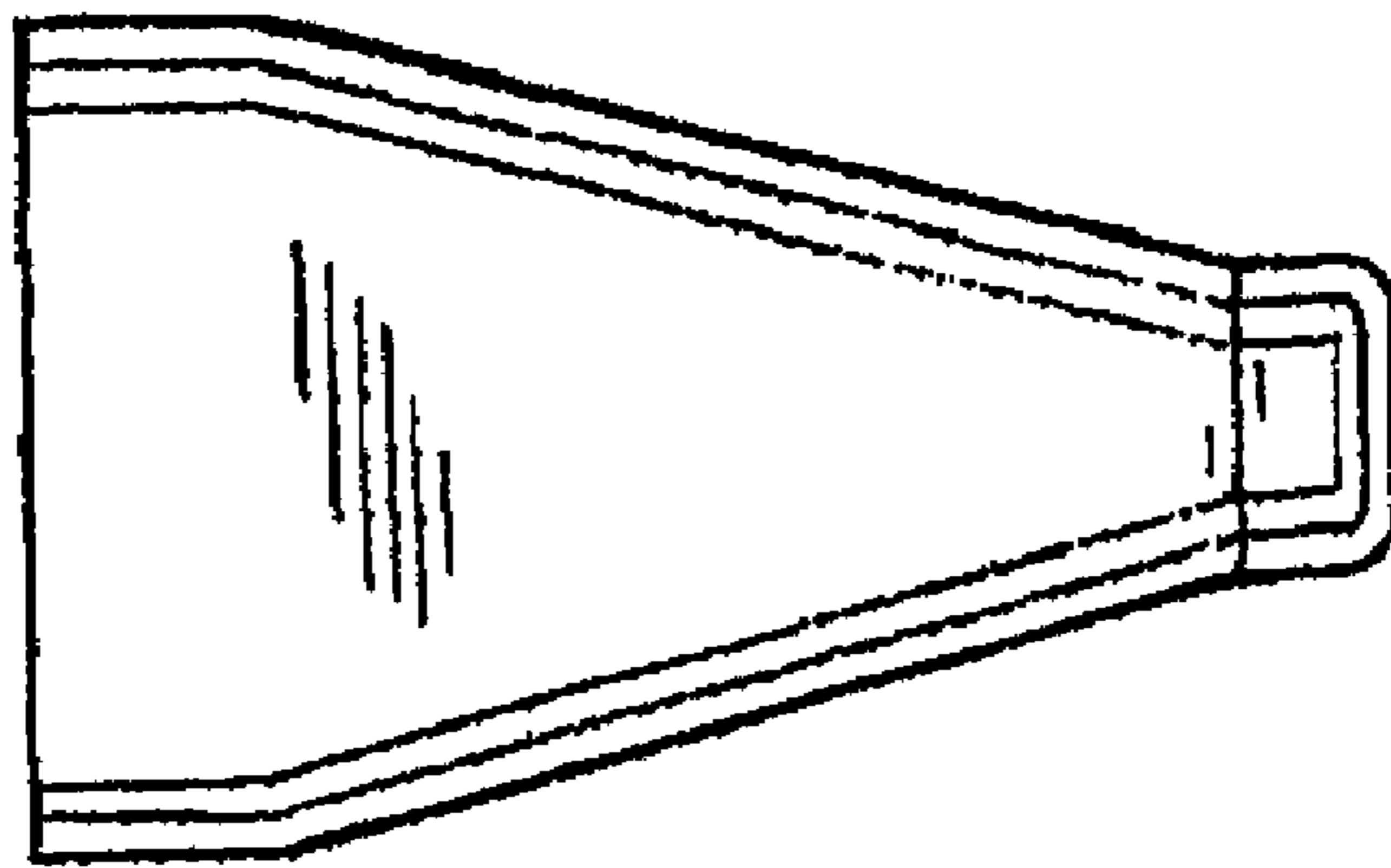


FIG. 4

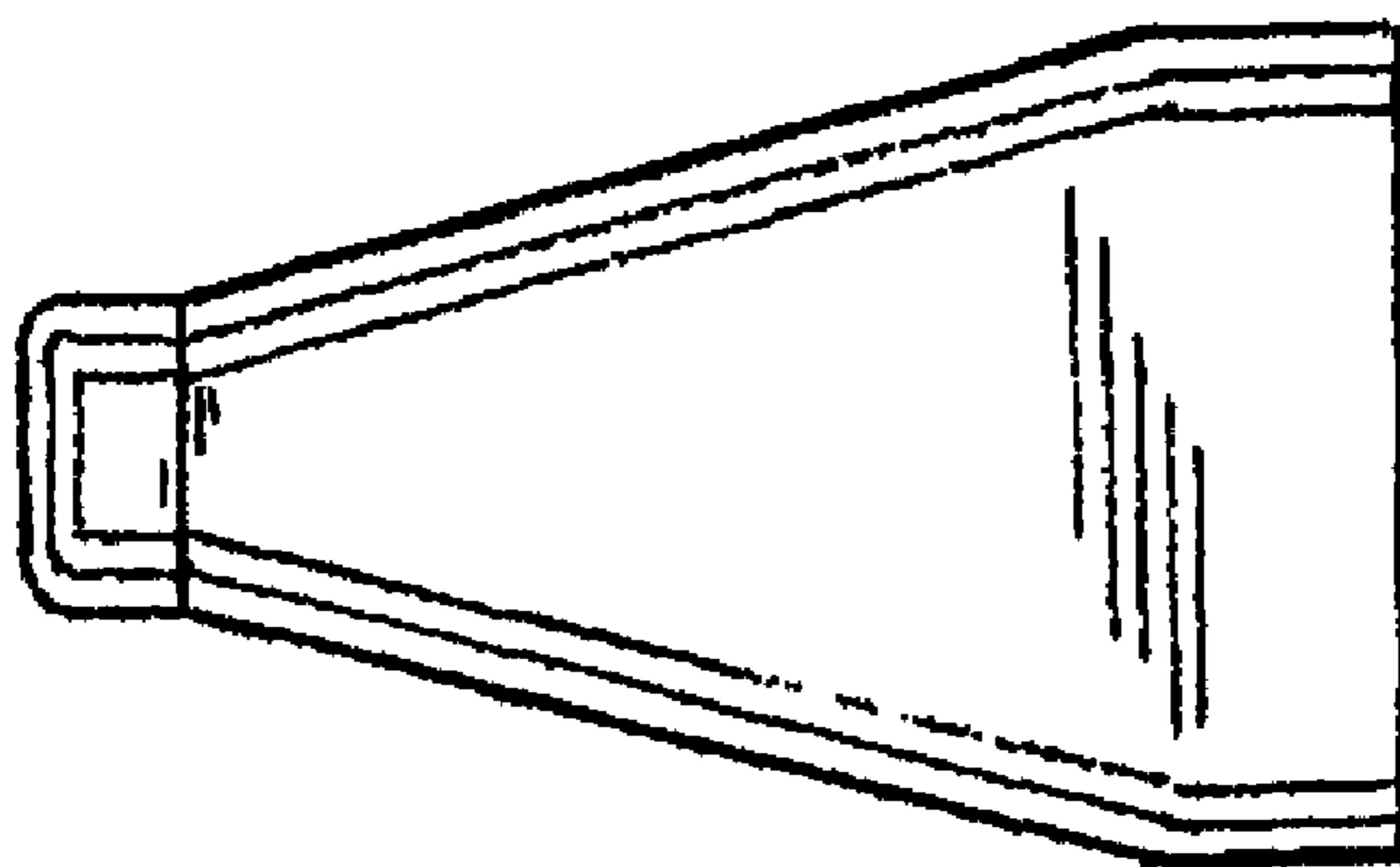


FIG. 5

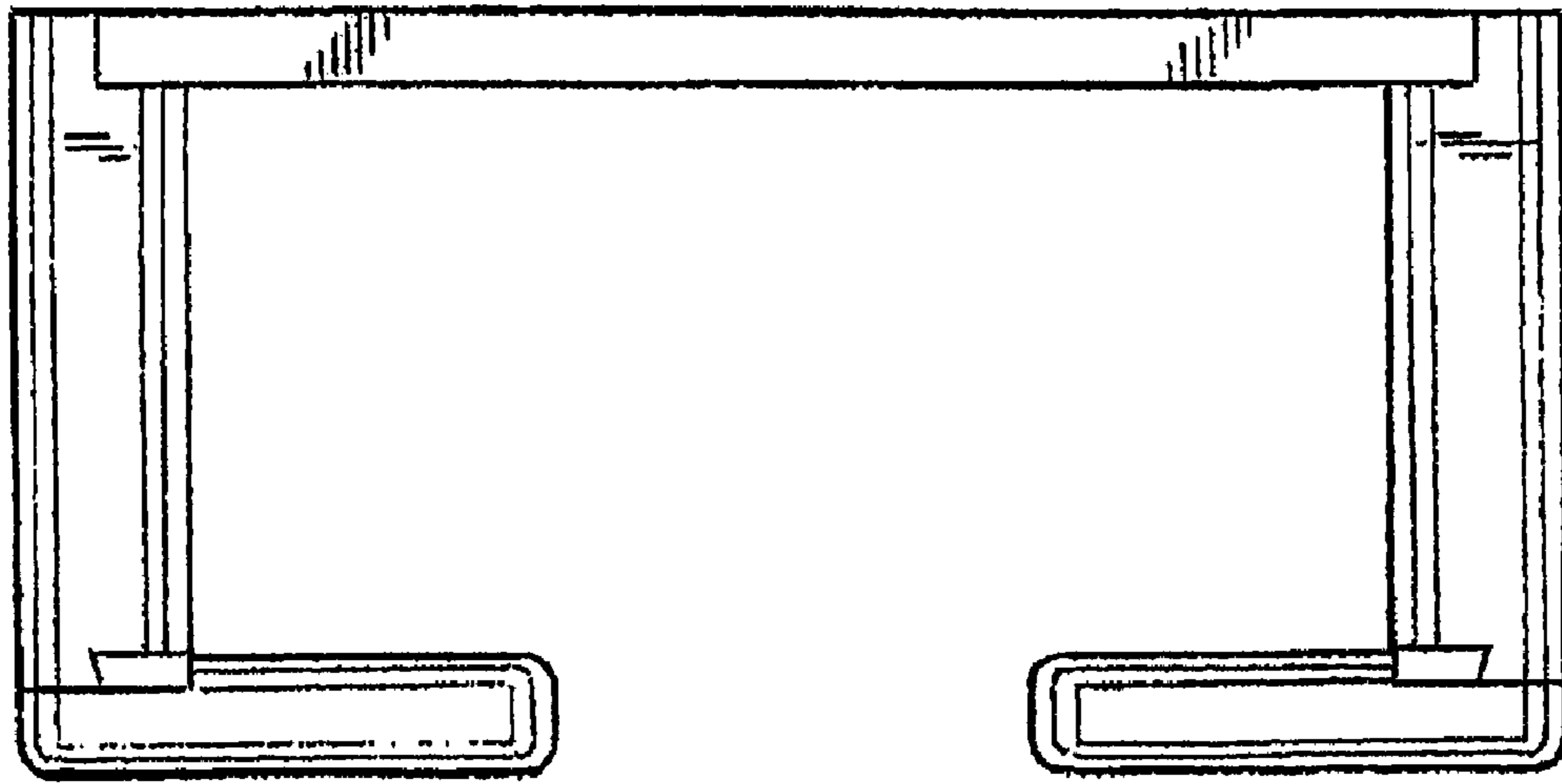


FIG. 6

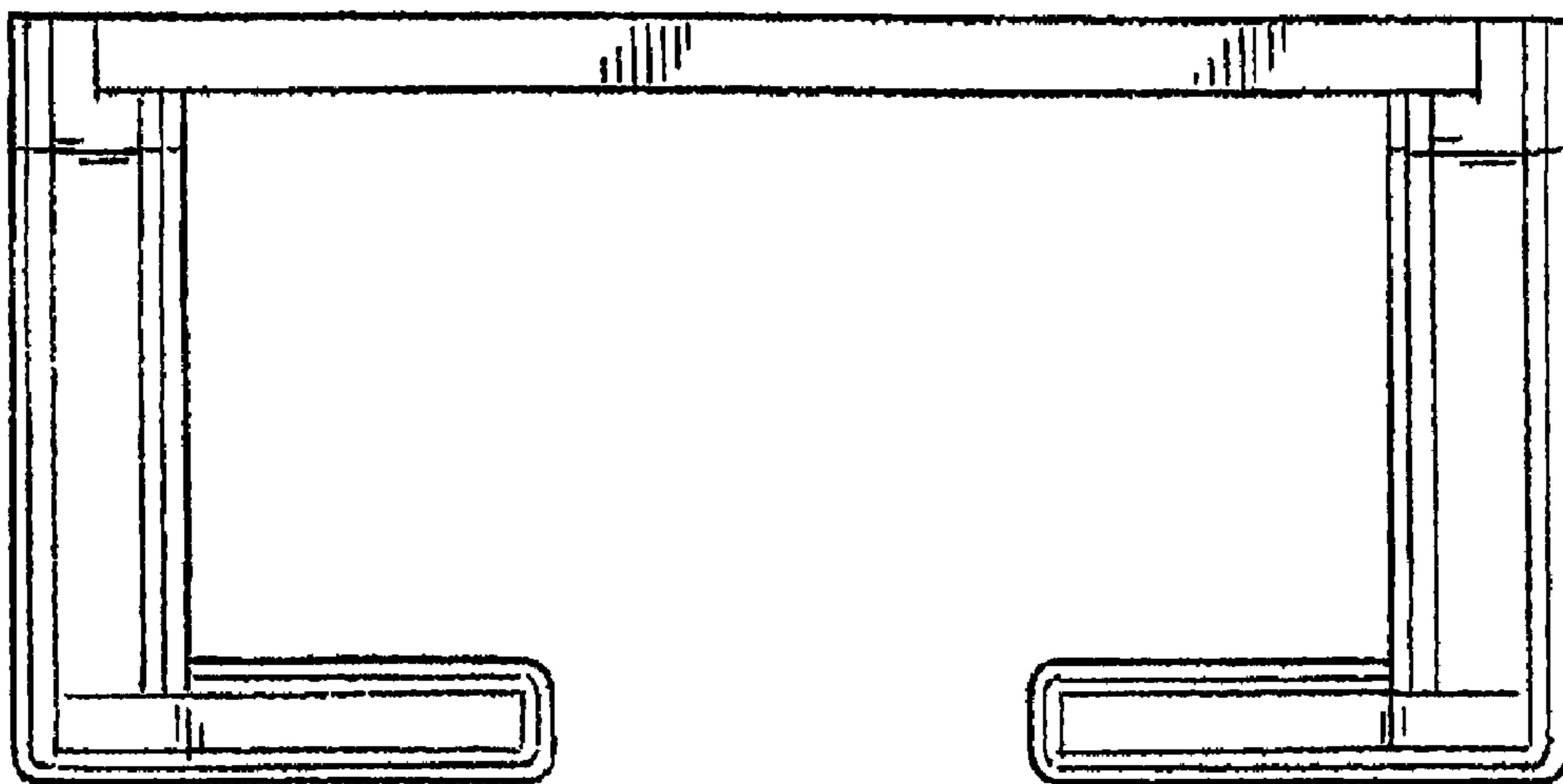


FIG. 7