



US00D598224S

(12) **United States Design Patent**
Zanini

(10) **Patent No.:** **US D598,224 S**

(45) **Date of Patent:** **** Aug. 18, 2009**

(54) **CENTER PLANTER FOR OUTDOOR TABLES**

(76) **Inventor:** **Linda Zanini**, 609 E. 6th, Stockton, CA
(US) 95206

(**) **Term:** **14 Years**

(21) **Appl. No.:** **29/313,302**

(22) **Filed:** **Dec. 24, 2008**

(51) **LOC (9) Cl.** **06-06**

(52) **U.S. Cl.** **D6/510**

(58) **Field of Classification Search** D6/491;
D7/323, 354-361, 365, 378-379, 513, 523,
D7/532, 542-543, 545, 560, 584-588, 602;
D9/425, 428, 778; D11/152; D28/44.1;
47/39, 41.01, 66.6; 99/422, 425, 445; 219/620-621,
219/725-730; 220/573.1-574, 769, 912;
229/400

See application file for complete search history.

(56) **References Cited**

U.S. PATENT DOCUMENTS

D20,335 S * 11/1890 Whilldin D11/152
585,486 A * 6/1897 Snow 47/41.01
4,227,343 A * 10/1980 Espy et al. 47/39
4,597,221 A * 7/1986 Adair et al. 47/66.6
D310,941 S * 10/1990 Carty D28/44.1
D322,046 S 12/1991 Woods
D368,234 S * 3/1996 Dickinson et al. D11/152
5,839,255 A 11/1998 Weder

5,861,199 A 1/1999 Weder
5,921,061 A 7/1999 Weder
6,230,441 B1 5/2001 Weder et al.
D475,243 S * 6/2003 Trazzi D7/532
D485,710 S * 1/2004 Burkhart et al. D6/491
7,000,349 B2 2/2006 Weder
D524,691 S * 7/2006 Caruso D11/152
D539,091 S * 3/2007 Mansfield D7/513
D552,421 S * 10/2007 Wolf D7/523
D556,511 S * 12/2007 Mansfield D7/523
D564,394 S * 3/2008 Schmidt D11/152

* cited by examiner

Primary Examiner—Caron Veynar

Assistant Examiner—Ricky Pham

(74) *Attorney, Agent, or Firm*—Robert C. Montgomery

(57) **CLAIM**

The ornamental design for a center planter for outdoor tables,
as shown and described.

DESCRIPTION

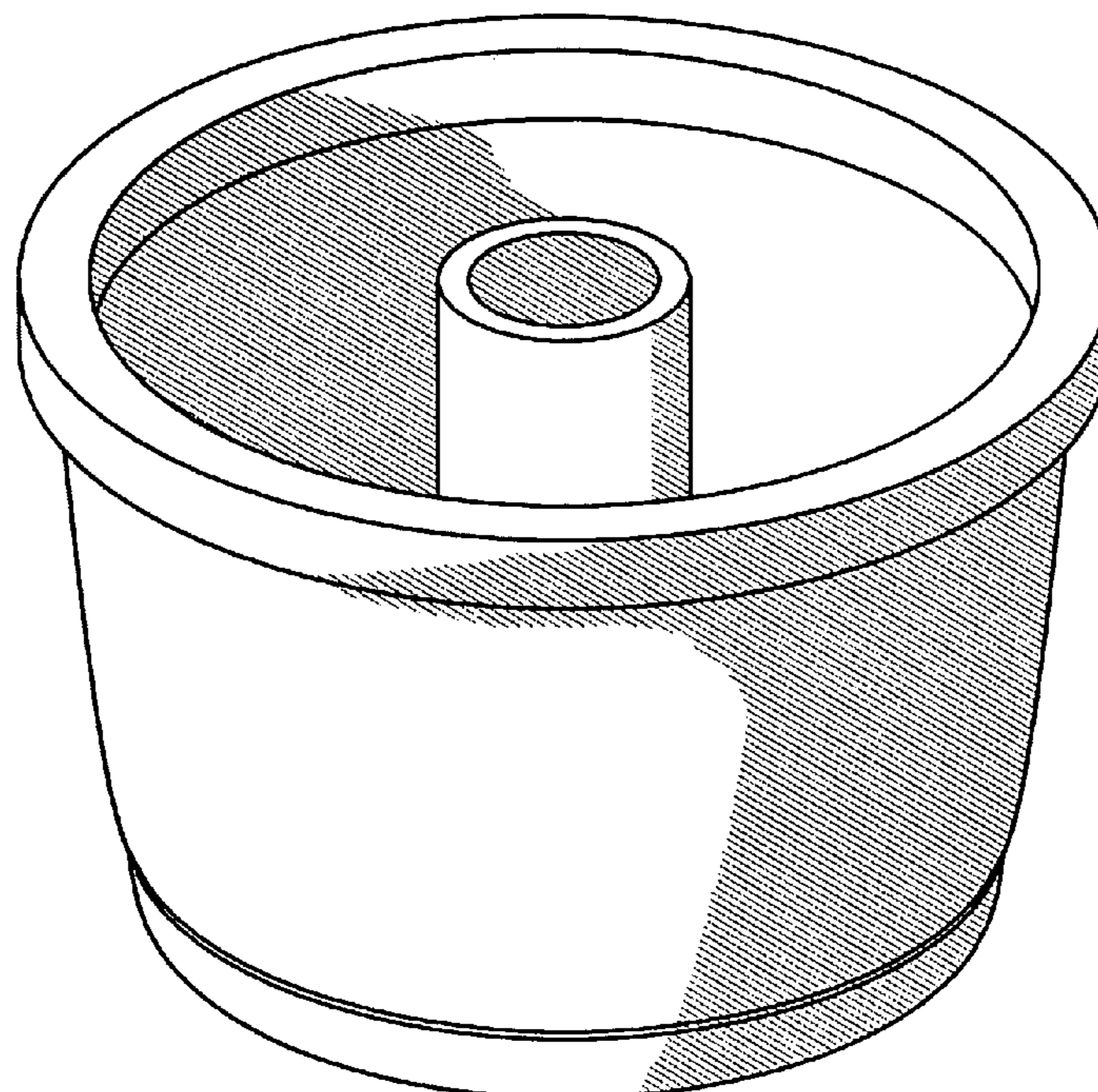
FIG. 1 is an isometric view of the center planter for outdoor
tables showing my new design;

FIG. 2 is a front view with a rear view, a right side view, and
a left side view being the mirror image thereof;

FIG. 3 is a top view thereof; and,

FIG. 4 is a bottom view thereof.

1 Claim, 4 Drawing Sheets



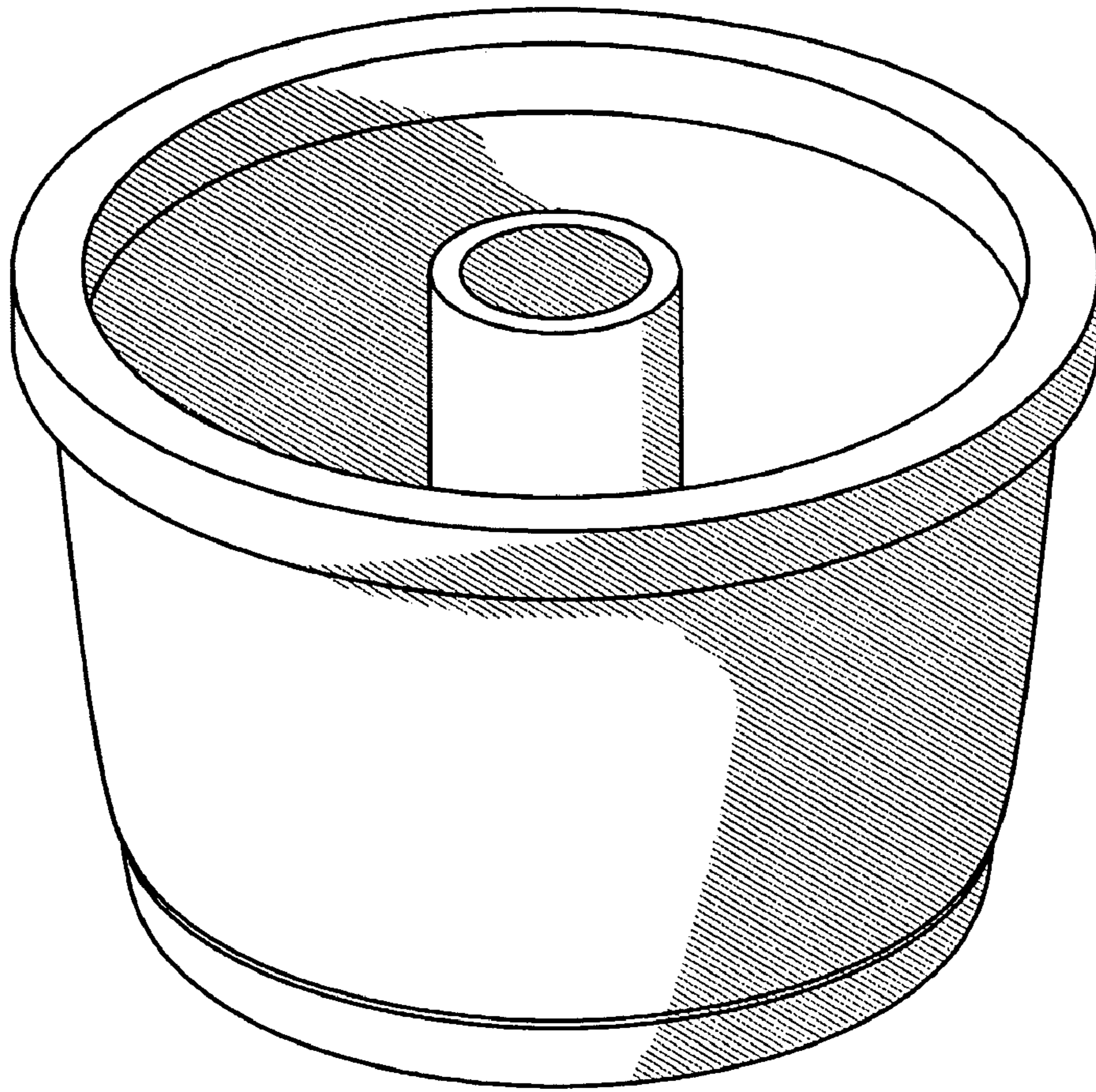


Fig. 1

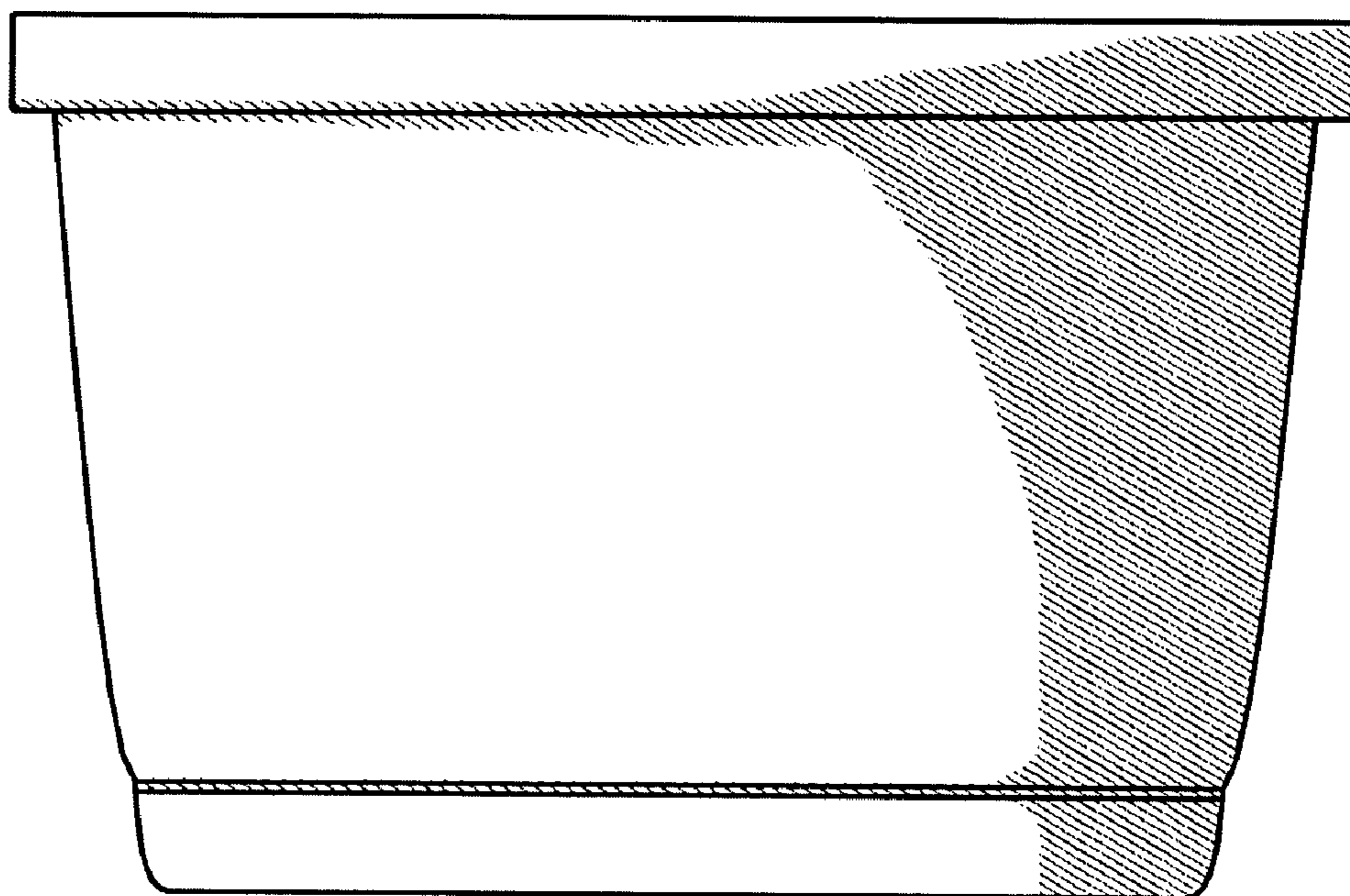


Fig. 2

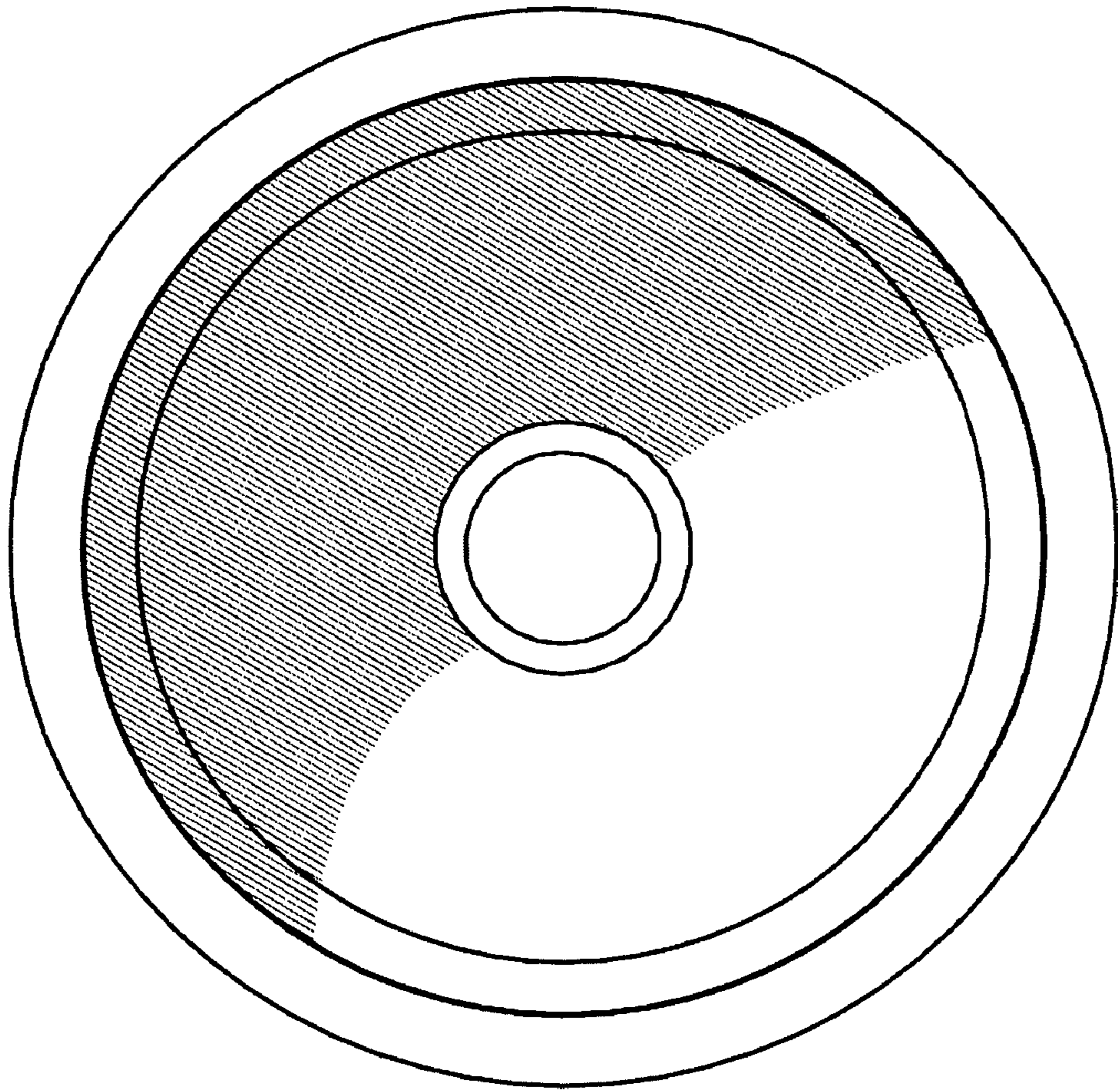


Fig. 3

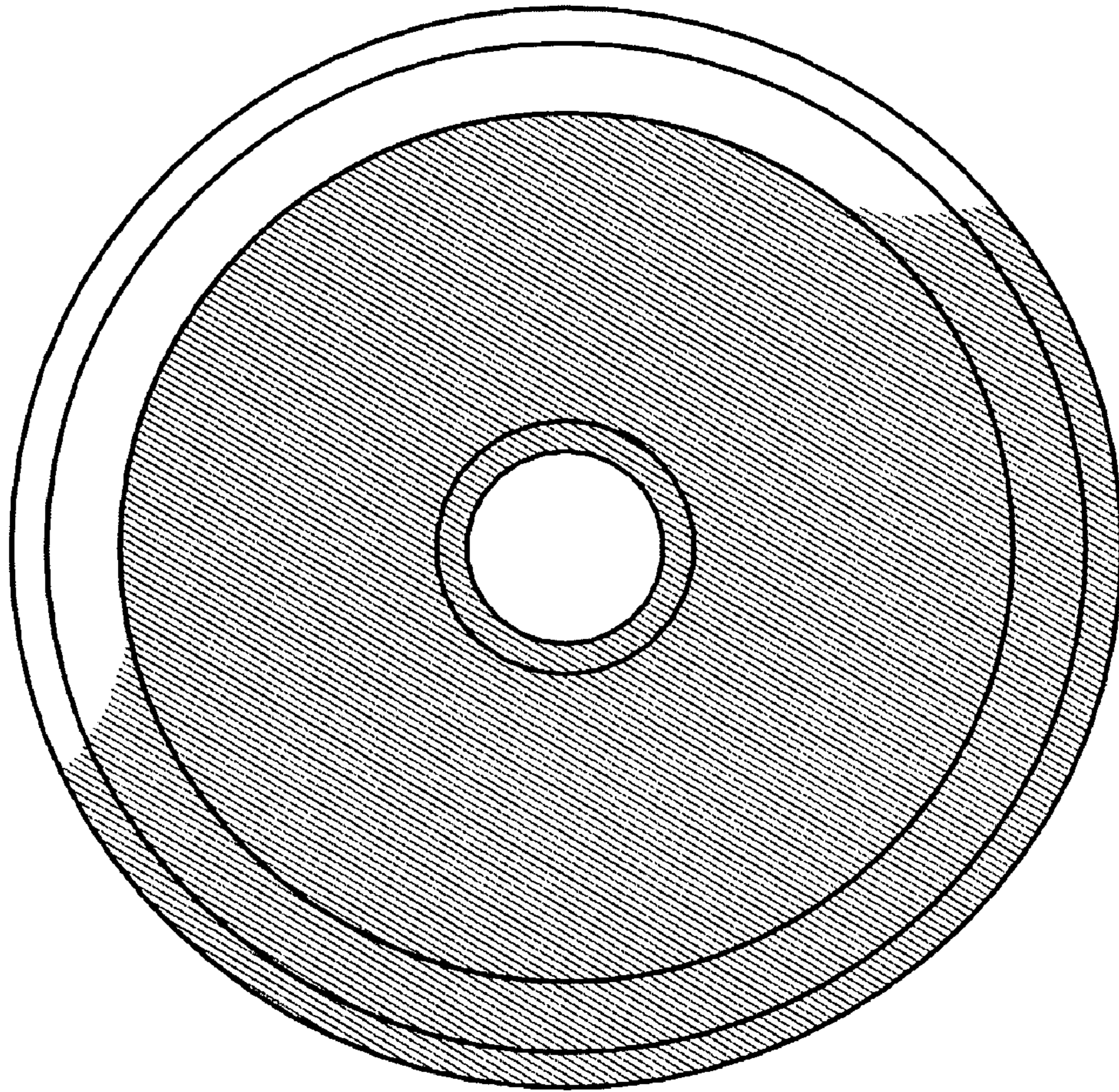


Fig. 4