



US00D598223S

(12) **United States Design Patent**
Confer et al.

(10) **Patent No.:** **US D598,223 S**

(45) **Date of Patent:** **** Aug. 18, 2009**

(54) **VEHICLE SEAT**

(75) Inventors: **Thomas W. Confer**, Greene, NY (US);
Gregory W. Gregory W., Greene, NY
(US); **Douglas M. Russell**, Syracuse,
NY (US)

(73) Assignee: **The Raymond Corporation**, Greene,
NY (US)

(**) Term: **14 Years**

(21) Appl. No.: **29/327,813**

(22) Filed: **Nov. 13, 2008**

(51) **LOC (9) Cl.** **06-01**

(52) **U.S. Cl.** **D6/502**

(58) **Field of Classification Search** 5/654.1;
D6/334-336, 360-369, 374, 379-380, 498,
D6/500-502; 297/284.4, 411.27, 452.13,
297/452.19, 452.21, 452.29, 452.3, 452.56,
297/452.64

See application file for complete search history.

(56) **References Cited**

U.S. PATENT DOCUMENTS

3,393,012	A *	7/1968	Chancellor, Jr.	5/654.1
4,535,495	A	8/1985	Oldfield	
4,572,578	A	2/1986	Perkins	
4,835,801	A	6/1989	Walpin et al.	
D308,613	S	6/1990	Clark et al.	
5,295,728	A	3/1994	Schaevitz	
5,364,151	A	11/1994	Yurasits	
5,375,914	A	12/1994	Donnelly	
5,474,353	A	12/1995	Koester et al.	
D386,036	S *	11/1997	Laidlaw	D6/601
5,788,015	A	8/1998	Seng et al.	
6,089,664	A	7/2000	Yoshida	
D428,719	S *	8/2000	Fick et al.	D6/356
6,182,778	B1	2/2001	Henshaw et al.	
6,189,964	B1	2/2001	Henshaw et al.	

6,612,652	B1	9/2003	Tenenboym et al.	
6,695,378	B2	2/2004	Hanagan	
6,969,114	B2	11/2005	Keilhauer	
D516,327	S *	3/2006	Murphy	D6/356
7,100,991	B2	9/2006	Schroth	
D547,077	S	7/2007	Cantrill et al.	
7,293,825	B2	11/2007	Vergara et al.	
D577,921	S *	10/2008	Tanaka et al.	D6/356
2005/0093357	A1	5/2005	Takeda et al.	
2006/0232118	A1	10/2006	Cantrill	
2007/0085393	A1	4/2007	Mochizuki et al.	
2007/0096526	A1	5/2007	Hentges	

* cited by examiner

Primary Examiner—Caron Veynar

Assistant Examiner—Ricky Pham

(74) *Attorney, Agent, or Firm*—Quarles & Brady LLP

(57) **CLAIM**

The ornamental design for a vehicle seat, as shown and described.

DESCRIPTION

FIG. 1 is a top, side perspective view of a vehicle seat showing our new design;

FIG. 2 is a top view of the vehicle seat of FIG. 1;

FIG. 3 is a front elevation view of the vehicle seat of FIG. 1;

FIG. 4 is a right side elevation view of the vehicle seat of FIG. 1;

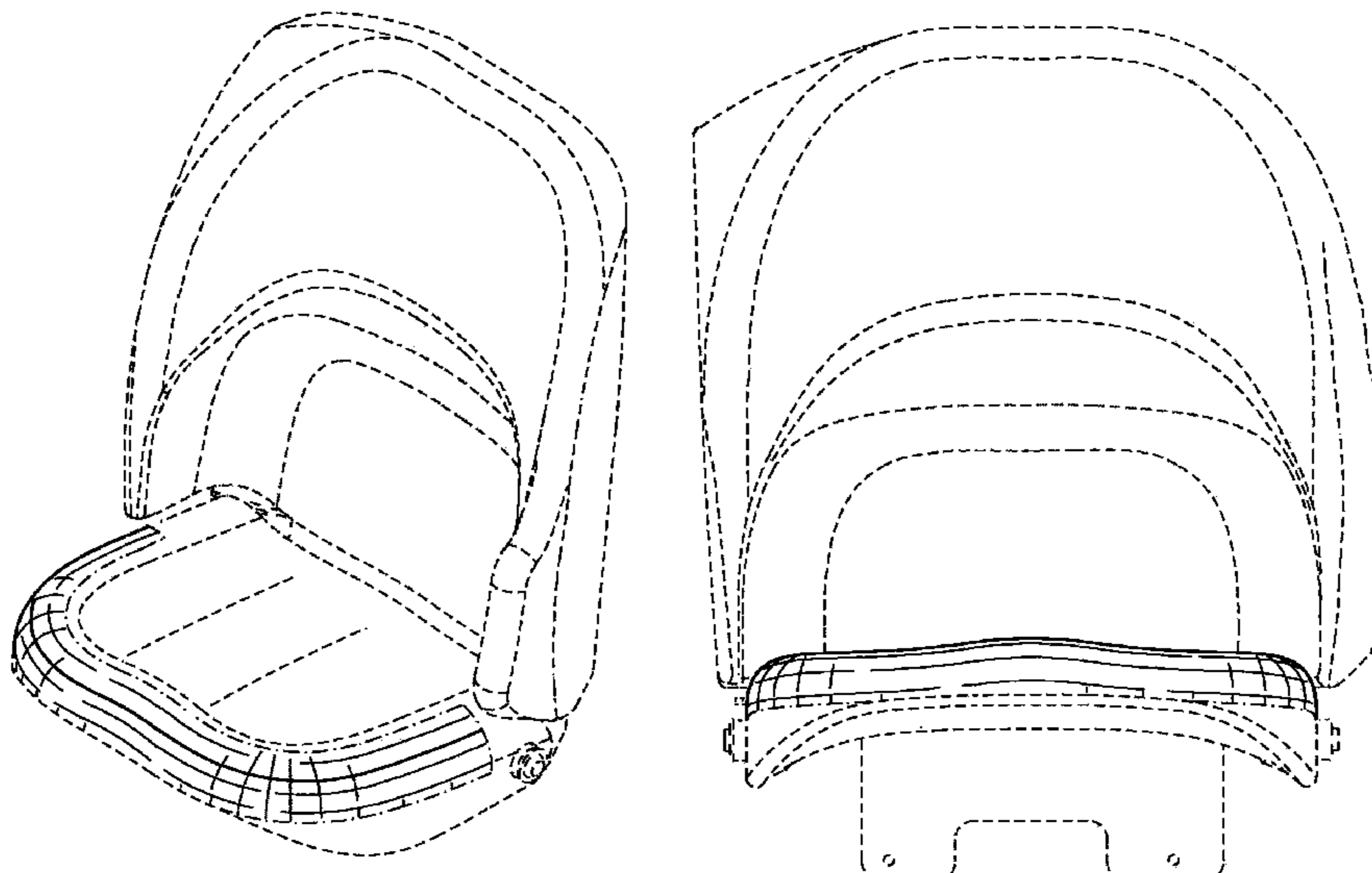
FIG. 5 is a left side elevation view of the vehicle seat of FIG. 1;

FIG. 6 is a rear elevation view of the vehicle seat of FIG. 1; and,

FIG. 7 is a bottom view of the vehicle seat of FIG. 1.

The broken line representations of items in FIGS. 1-7 are for purposes of illustration only, and form no part of the claimed design.

1 Claim, 6 Drawing Sheets



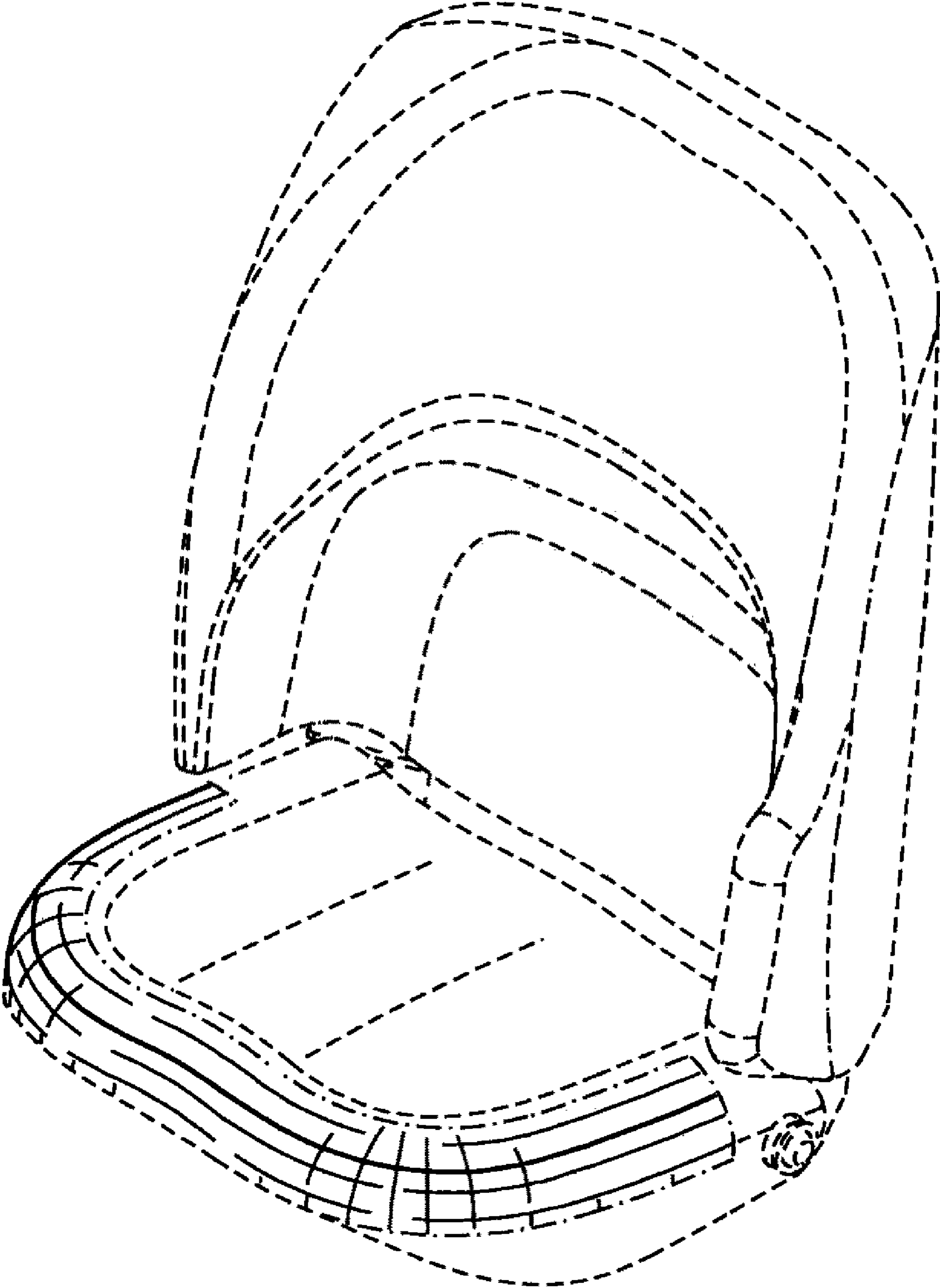


FIG. 1

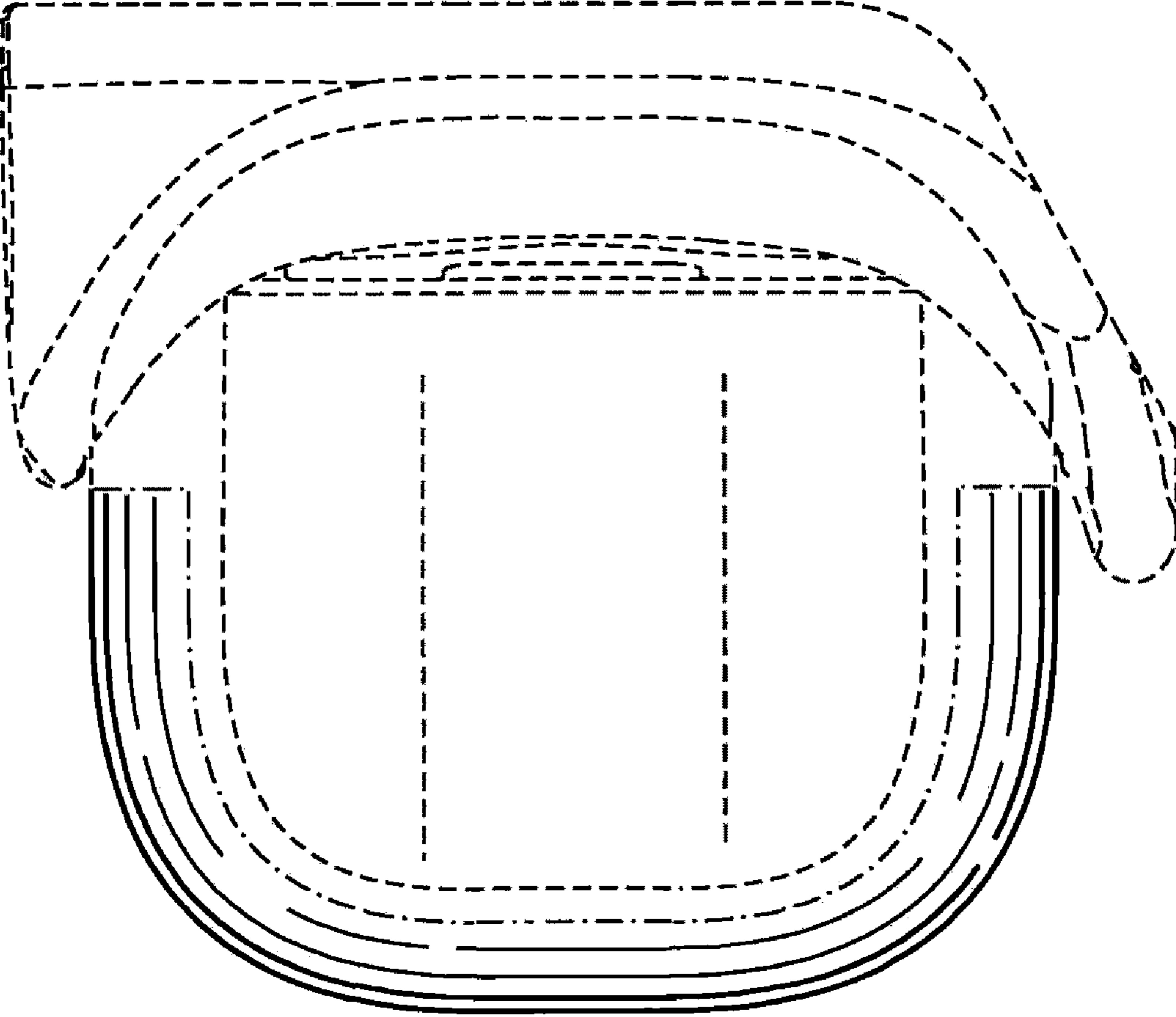


FIG. 2

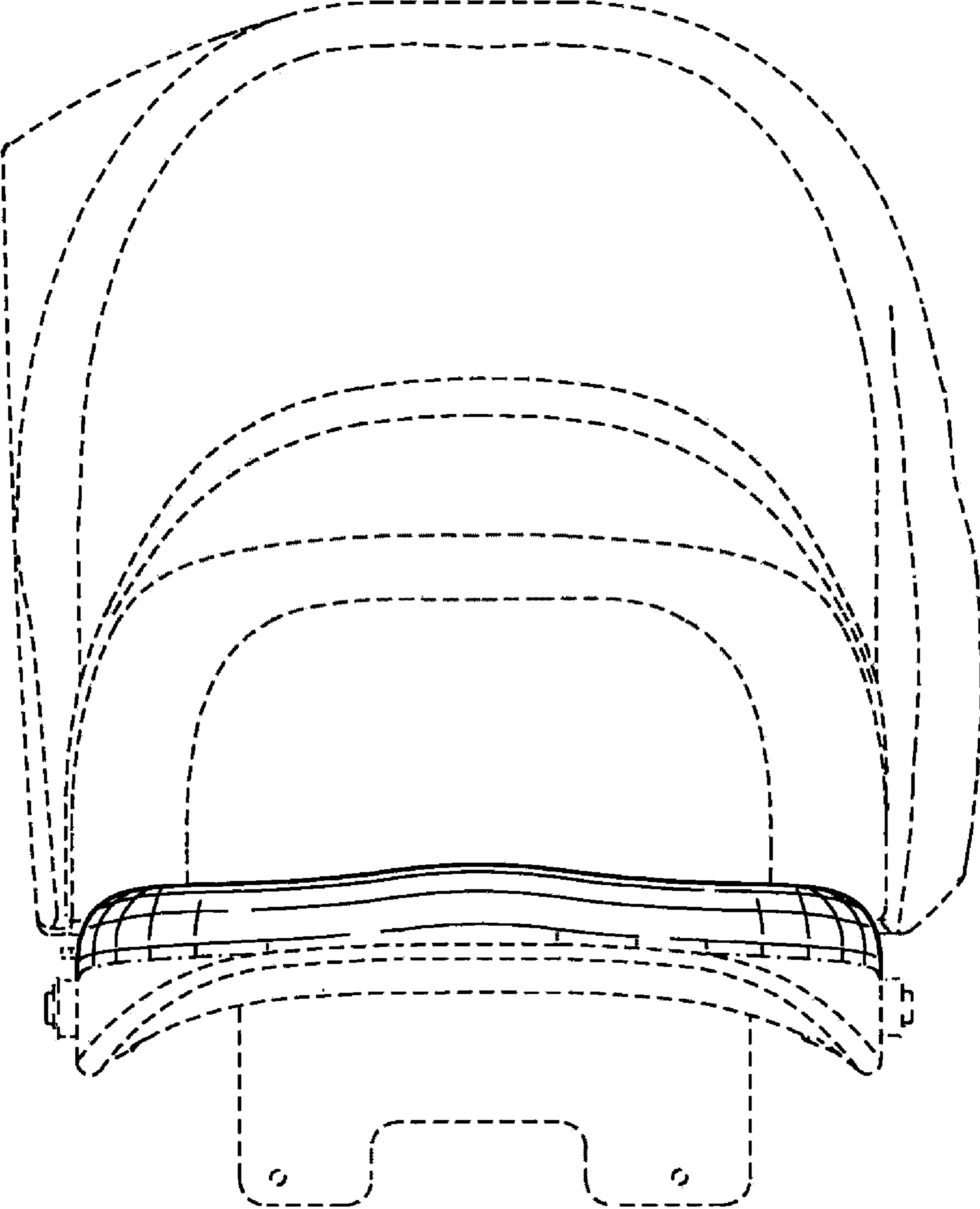


FIG. 3

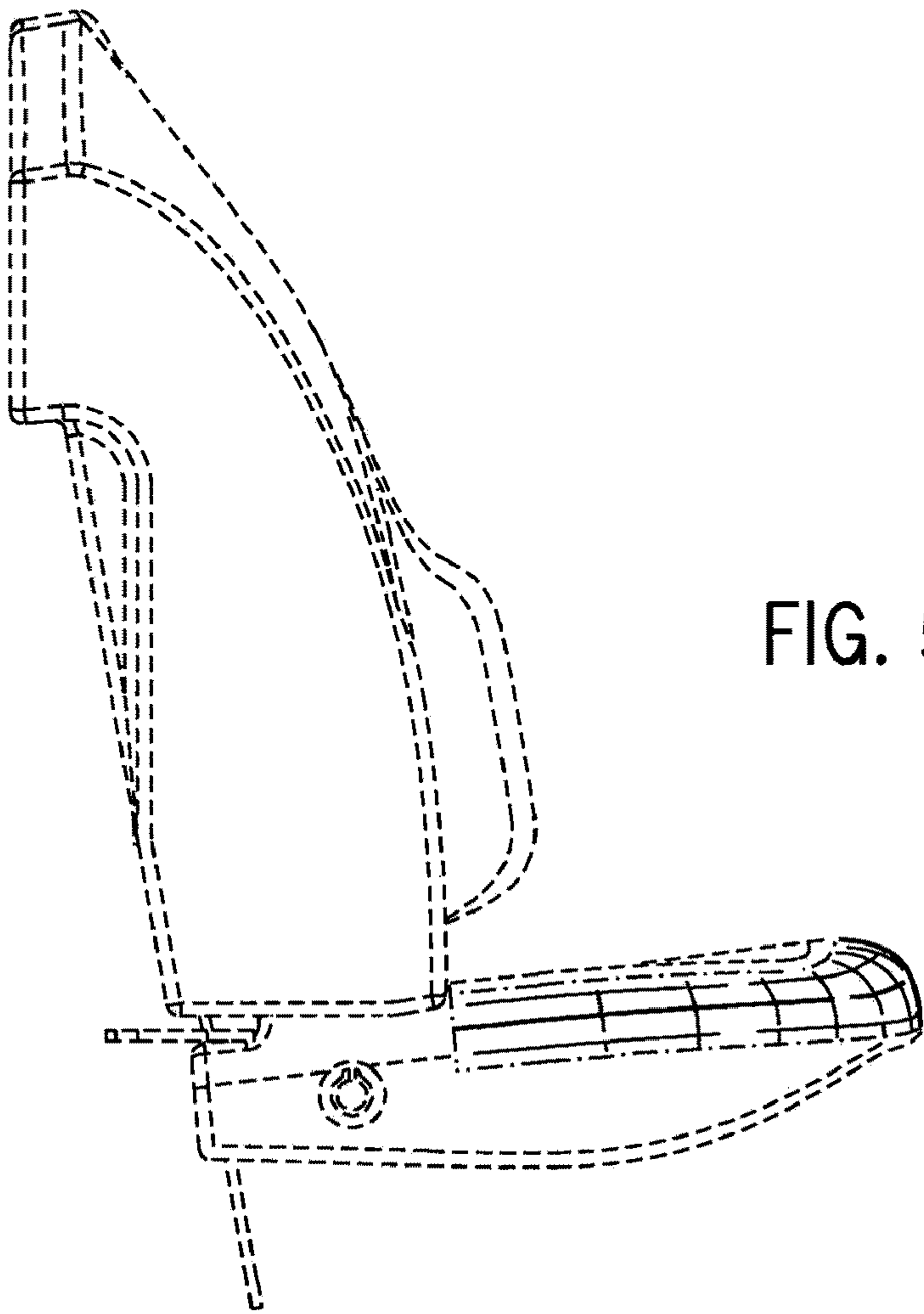
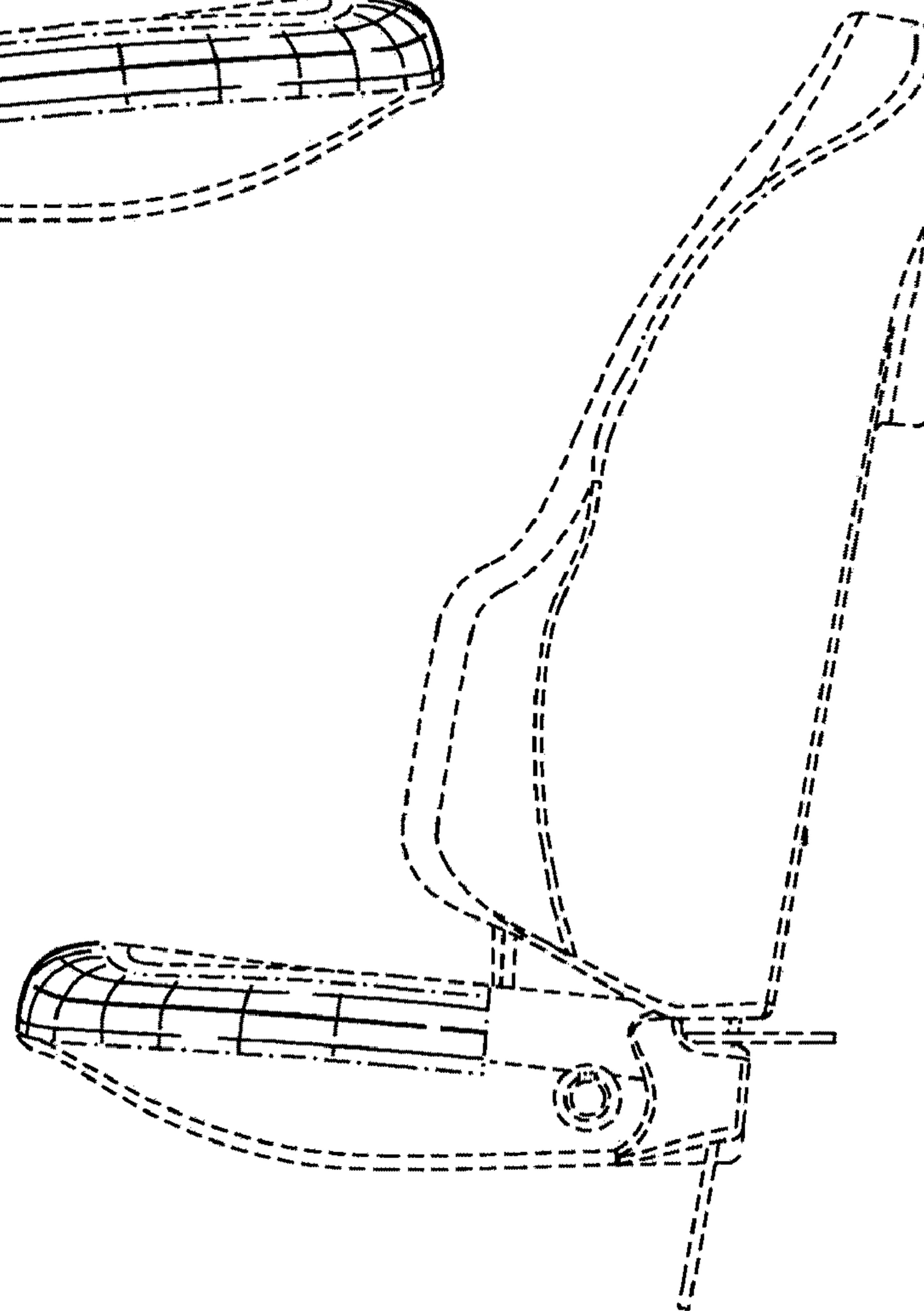


FIG. 5

FIG. 4



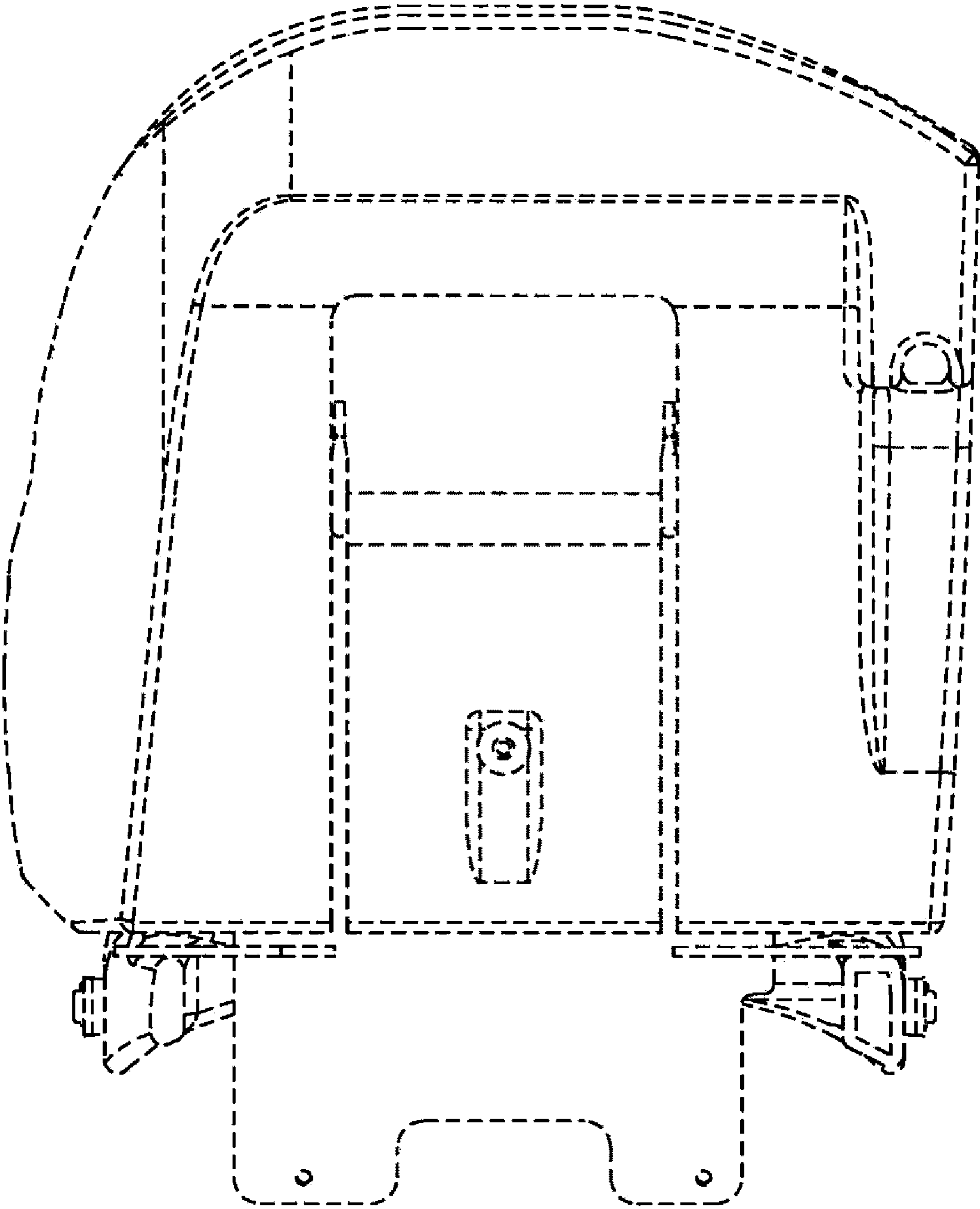


FIG. 6

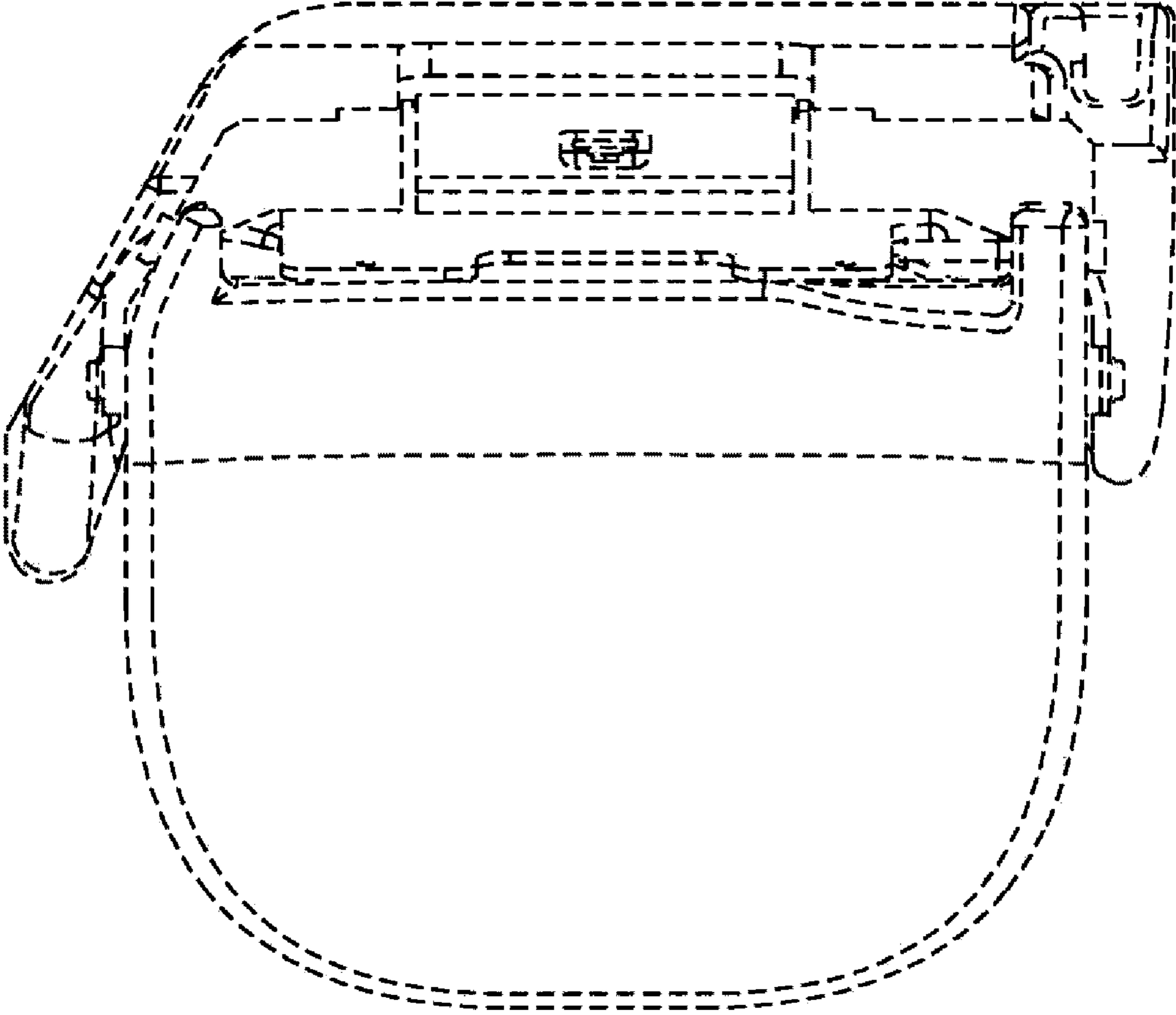


FIG. 7