

US00D598222S

(12) **United States Design Patent**  
**Sullivan**

(10) **Patent No.:** **US D598,222 S**

(45) **Date of Patent:** **\*\* Aug. 18, 2009**

(54) **PAIR OF CHAIR ARMRESTS**

(76) Inventor: **Tom Sullivan**, 1810 Diamond St., San  
Marcos, CA (US) 92078

(\*\*) Term: **14 Years**

(21) Appl. No.: **29/333,934**

(22) Filed: **Mar. 17, 2009**

(51) **LOC (9) Cl.** ..... **06-01**

(52) **U.S. Cl.** ..... **D6/501; D6/368**

(58) **Field of Classification Search** ..... D6/334–336,  
D6/367, 368, 371, 373, 374, 379, 380, 500–502;  
297/36, 38, 45, 53, 56, 445.1

See application file for complete search history.

(56) **References Cited**

**U.S. PATENT DOCUMENTS**

1,703,879	A *	3/1929	Goldwyn	.....	297/36
1,739,552	A *	12/1929	Kidder	.....	297/36
1,799,029	A *	3/1931	Smith	.....	297/36
2,582,864	A *	1/1952	Gittings et al.	.....	297/36
D189,343	S *	11/1960	Gittings	.....	D6/501
3,485,528	A *	12/1969	Hyman	.....	297/45
3,498,668	A *	3/1970	Vanderminde	.....	297/45
3,711,151	A *	1/1973	Upton	.....	297/45
D337,213	S *	7/1993	Phelan, Jr.	.....	D6/368
D459,602	S *	7/2002	Kreiss	.....	D6/368

D464,820	S *	10/2002	Kreiss	.....	D6/368
D465,099	S *	11/2002	Damon, Jr.	.....	D6/368
D572,925	S *	7/2008	Carrere	.....	D6/368

\* cited by examiner

*Primary Examiner*—Mimosa De

(74) *Attorney, Agent, or Firm*—Eric Hanscom; Todd  
Langford

(57) **CLAIM**

The ornamental design for a pair of chair armrests, as shown.

**DESCRIPTION**

The Invention is a pair of chair armrests specifically designed  
for folding director's chairs.

FIG. 1 is a perspective view of my new design;

FIG. 2 is a front view thereof;

FIG. 3 is a back view thereof;

FIG. 4 is a left-side view thereof;

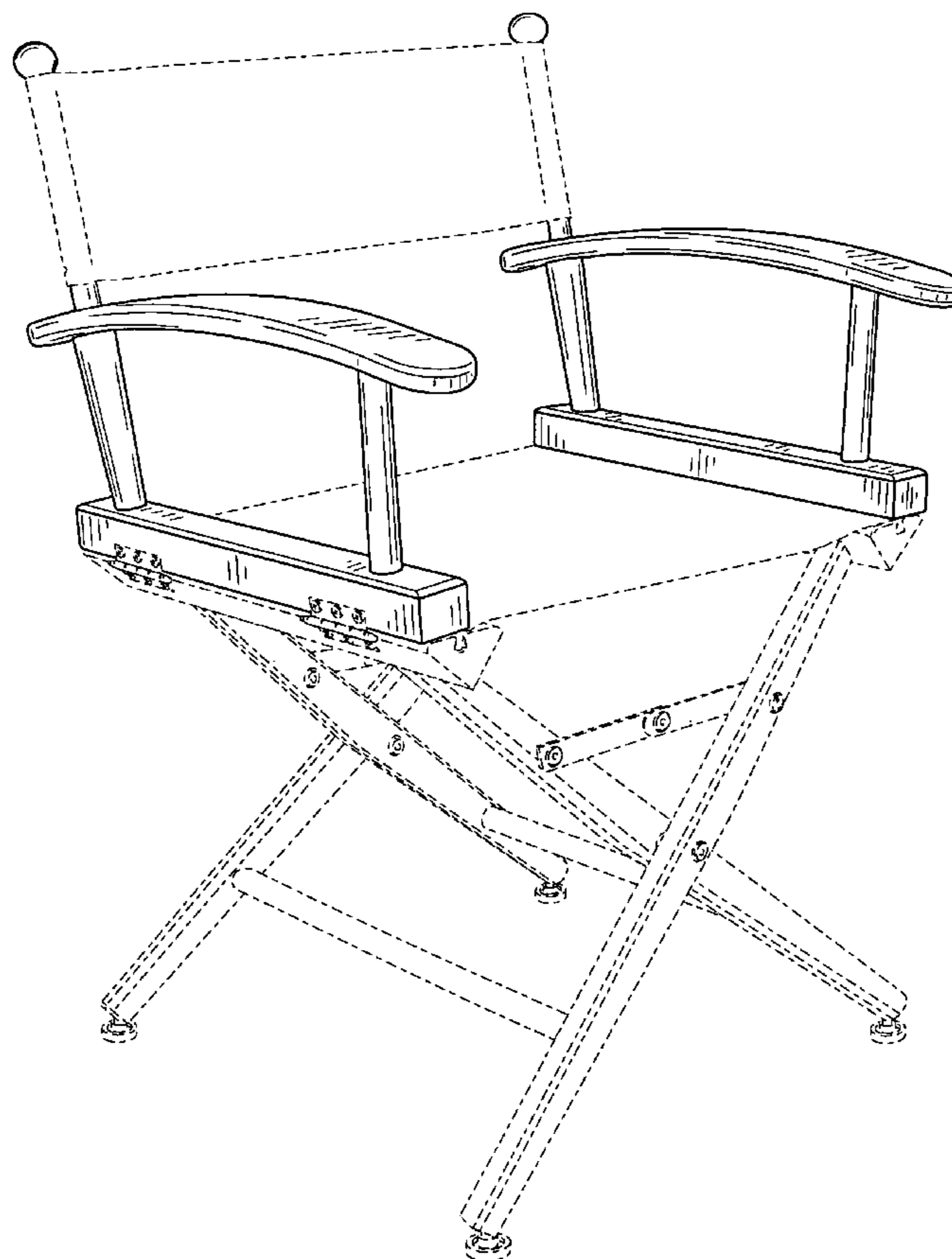
FIG. 5 is a right-side view thereof;

FIG. 6 is a top view thereof; and,

FIG. 7 is a bottom view thereof.

The broken lines showing in FIG. 1 are for environmental  
structure only and form no part of the claimed design.

**1 Claim, 4 Drawing Sheets**



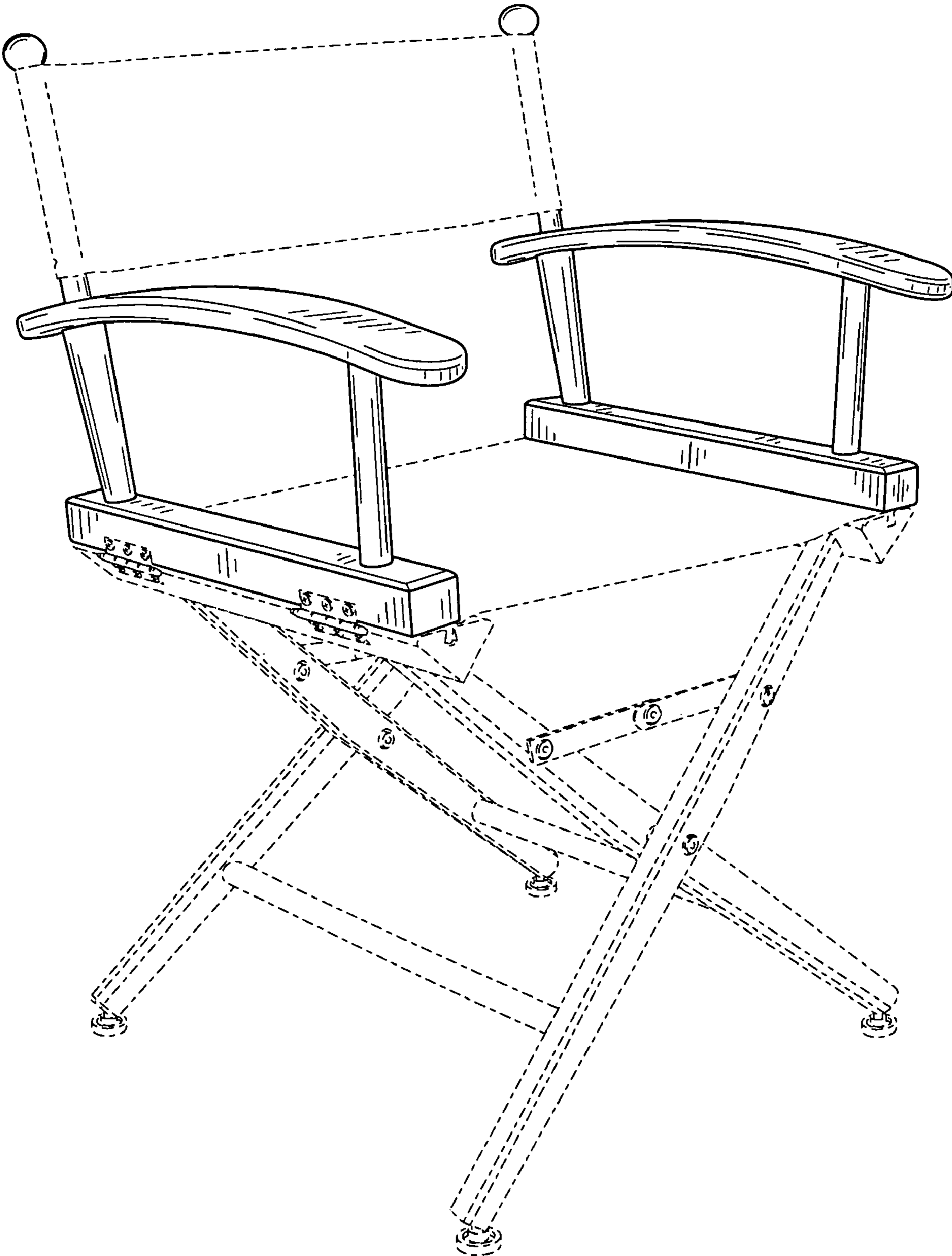
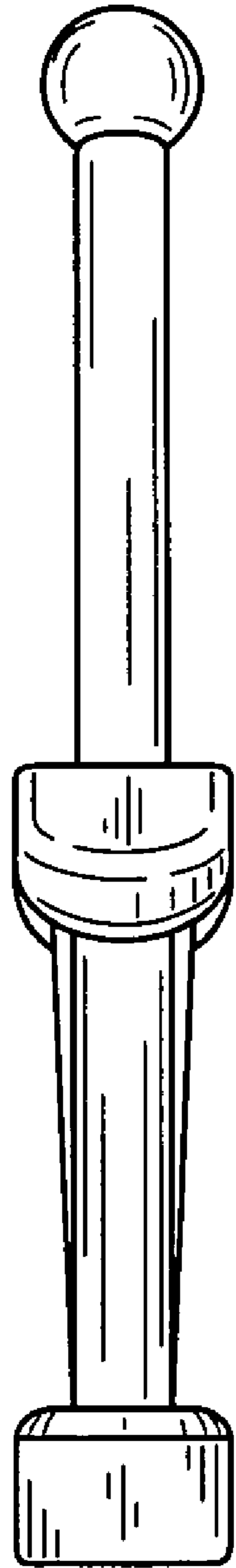
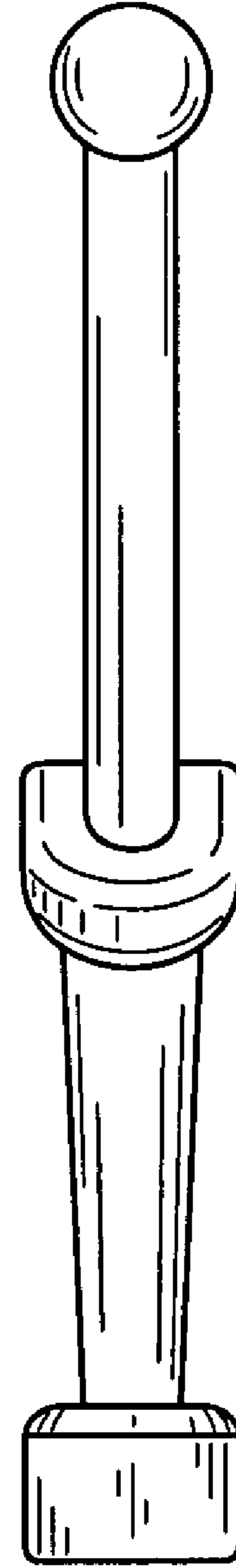


FIG. 1



**FIG. 2**



**FIG. 3**

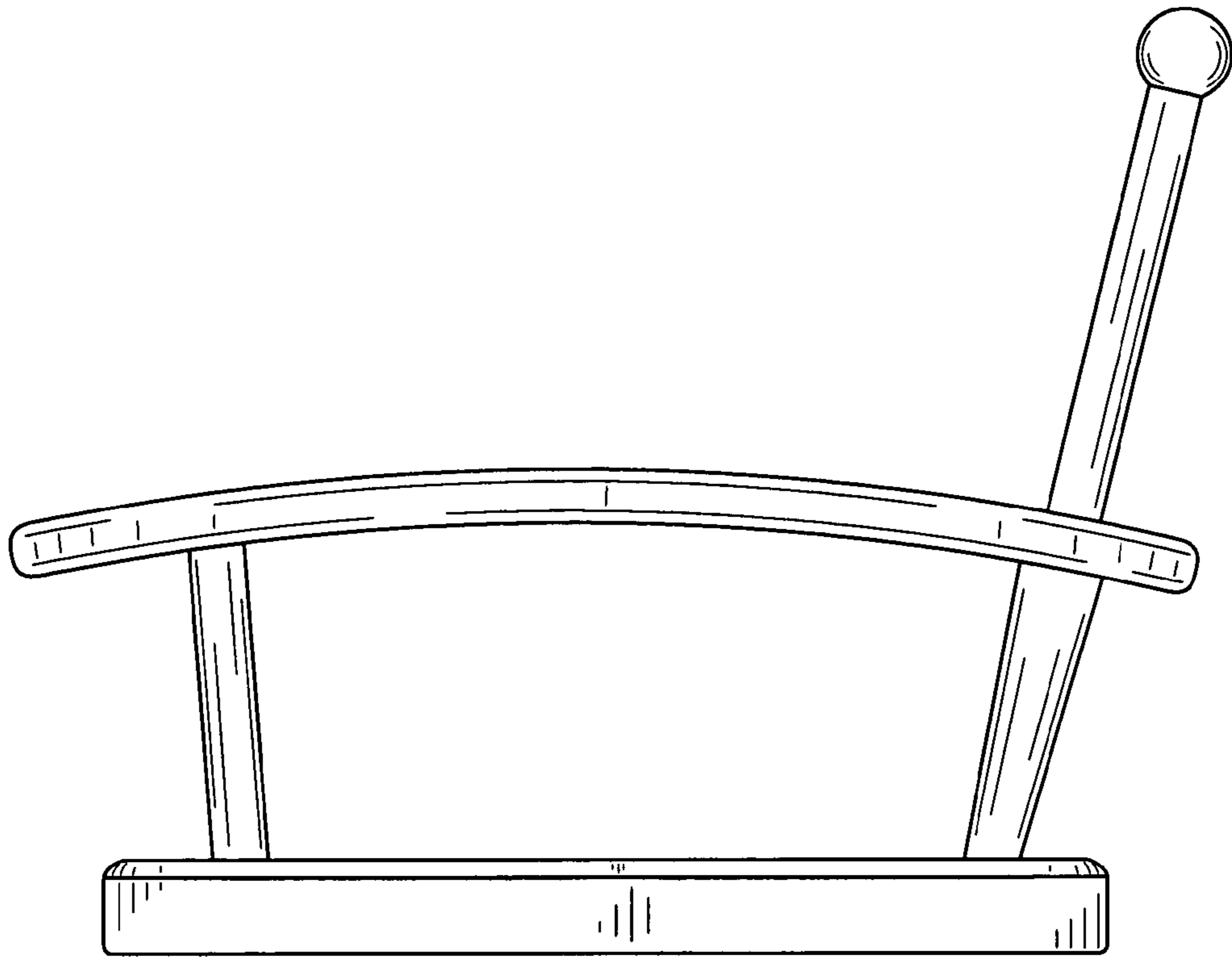


FIG. 4

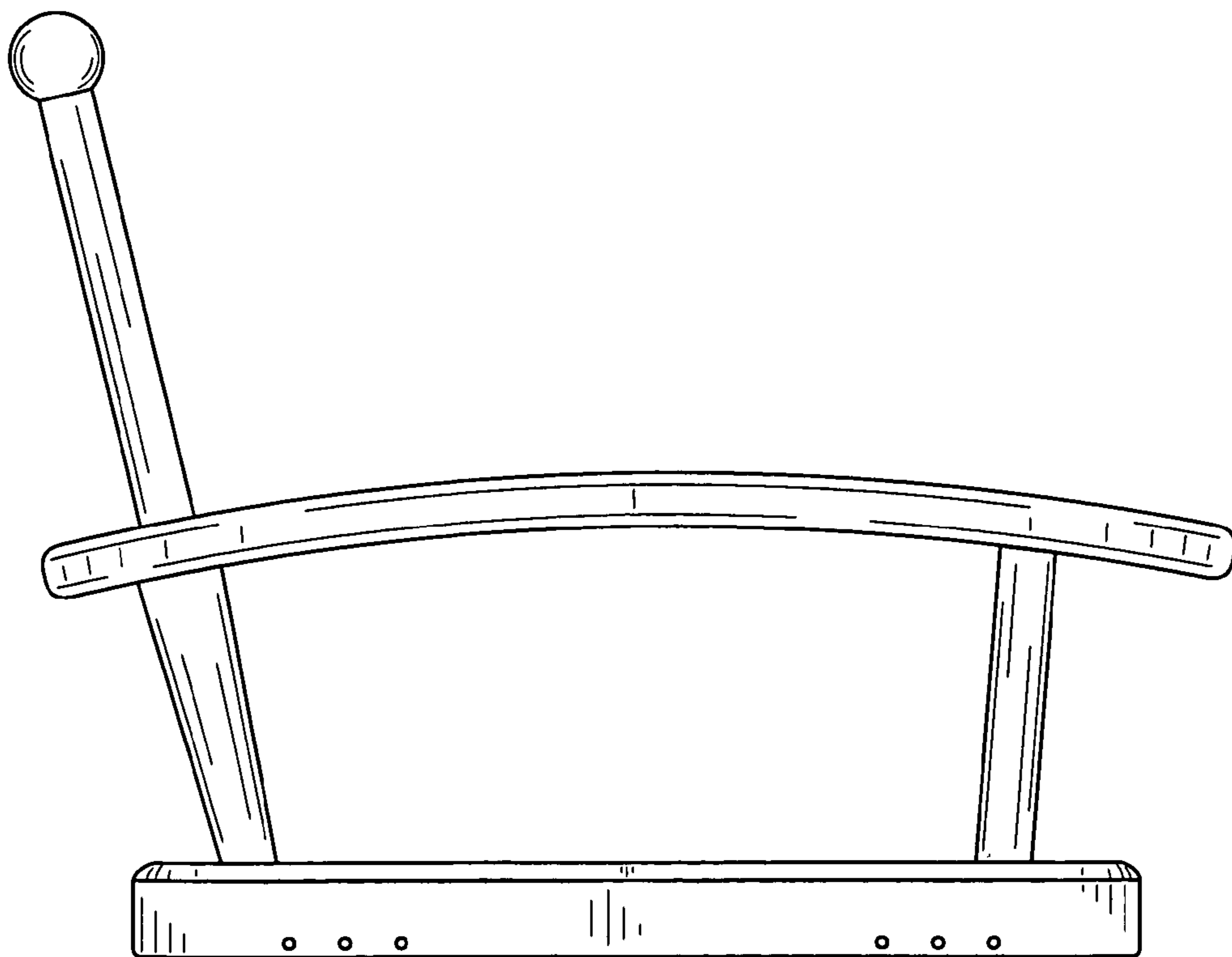


FIG. 5

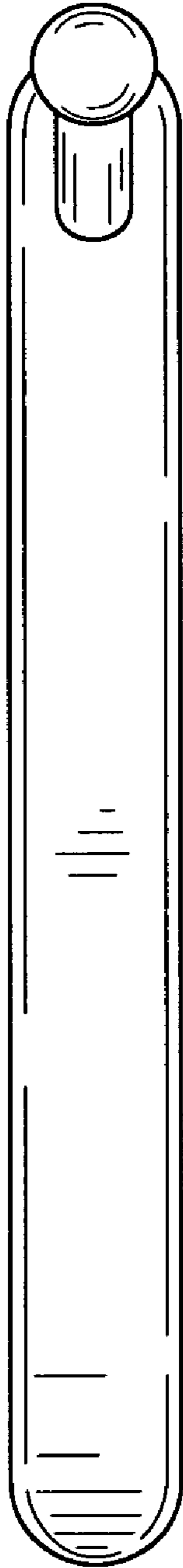


FIG. 6

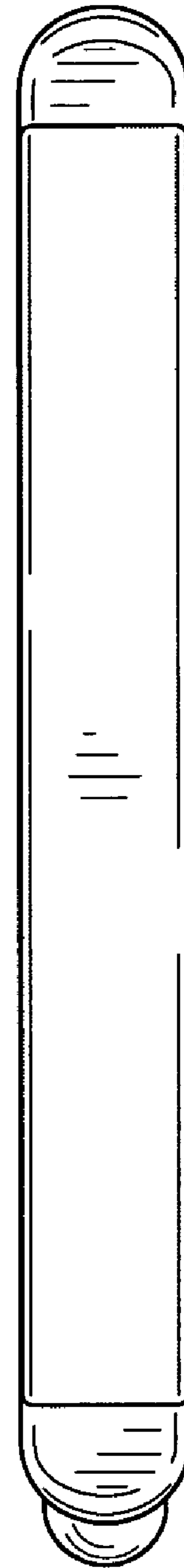


FIG. 7