



US00D598219S

(12) **United States Design Patent**
Sparks, Jr.

(10) **Patent No.:** **US D598,219 S**

(45) **Date of Patent:** **** Aug. 18, 2009**

(54) **SUPPORT MEMBER SYSTEM**

(76) **Inventor:** **Douglas M. Sparks, Jr.**, 109 Westgate Dr., Houston, MN (US) 55943

(**) **Term:** **14 Years**

(21) **Appl. No.:** **29/325,838**

(22) **Filed:** **Oct. 7, 2008**

Related U.S. Application Data

(63) Continuation of application No. 11/710,797, filed on Feb. 26, 2007, now abandoned.

(51) **LOC (9) Cl.** **06-04**

(52) **U.S. Cl.** **D6/462**

(58) **Field of Classification Search** D6/411,
D6/462, 487, 467, 488, 512; 211/96, 97,
211/101, 183, 191, 196, 205; 312/114, 111;
52/653.1, 653.2, 649.1, 650.1; 403/219,
403/217

See application file for complete search history.

(56) **References Cited**

U.S. PATENT DOCUMENTS

- D358,506 S * 5/1995 Lara D6/411
- 5,678,375 A * 10/1997 Juola 52/655.1
- 5,713,651 A * 2/1998 Essig et al. 312/265.4
- 6,023,902 A * 2/2000 So 52/649.1

- D494,778 S * 8/2004 Vosbikian D6/467
- 6,776,298 B2 * 8/2004 Courtwright 211/191
- D543,382 S * 5/2007 Glassenberg et al. D6/462
- 2004/0094496 A1 * 5/2004 MacDonald 211/189

* cited by examiner

Primary Examiner—Doris Clark

(74) *Attorney, Agent, or Firm*—Brooks, Cameron & Huebsch, PLLC

(57) **CLAIM**

I claim the ornamental design for a support member system, as shown and described.

DESCRIPTION

FIG. 1 is an isometric view of the support member system of the present disclosure;

FIG. 2 is a front view of FIG. 1;

FIG. 3 is a right side view of the system of FIG. 1;

FIG. 4 is a left side view of the system of FIG. 1;

FIG. 5 is a rear view of the system of FIG. 1;

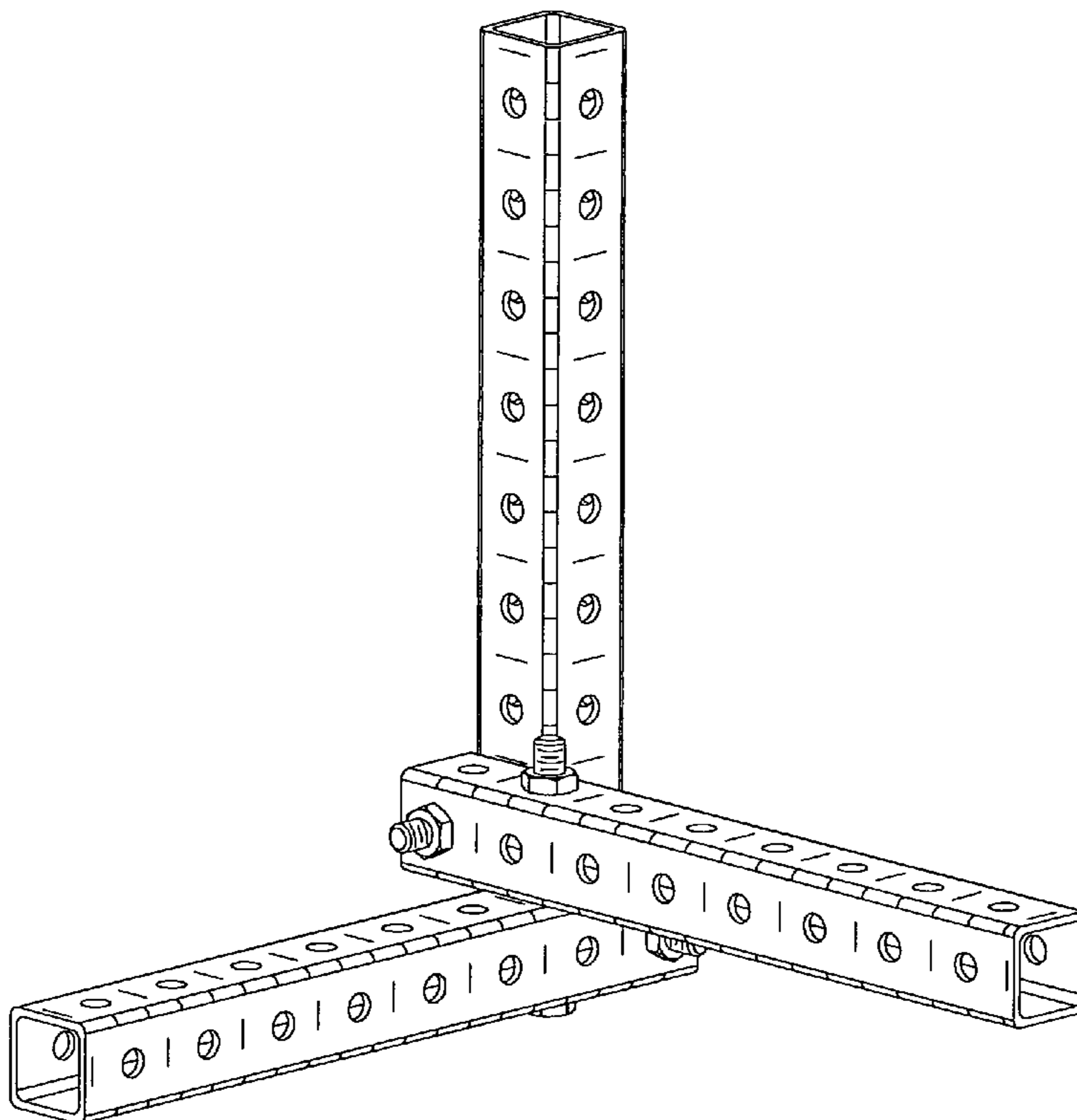
FIG. 6 is a top view of the system of FIG. 1;

FIG. 7 is a bottom view of the system of FIG. 1; and,

FIG. 8 is an exploded view of the system of FIG. 1.

The tubular members on the claimed design have been broken for ease of illustration.

1 Claim, 8 Drawing Sheets



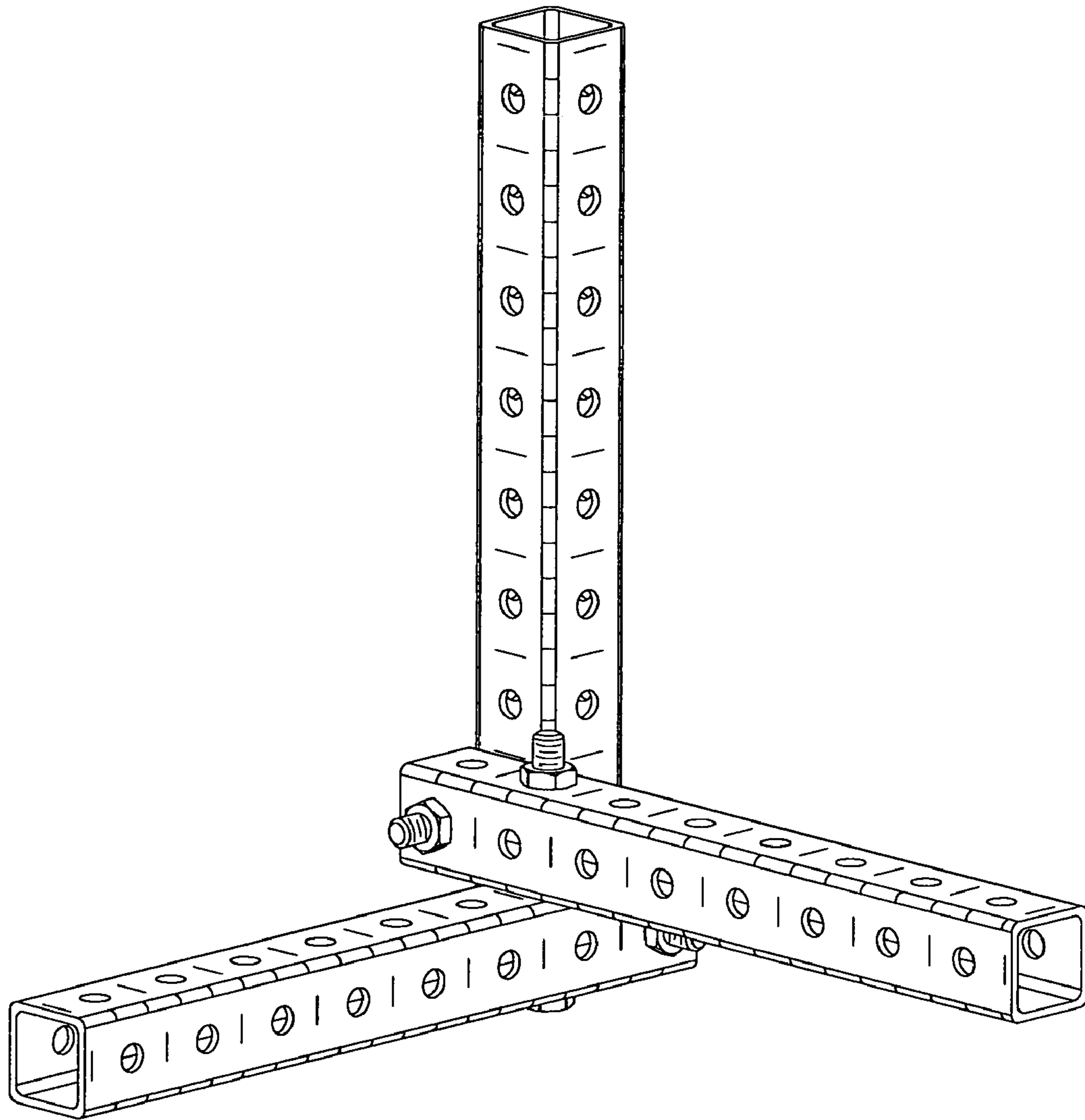


Fig. 1

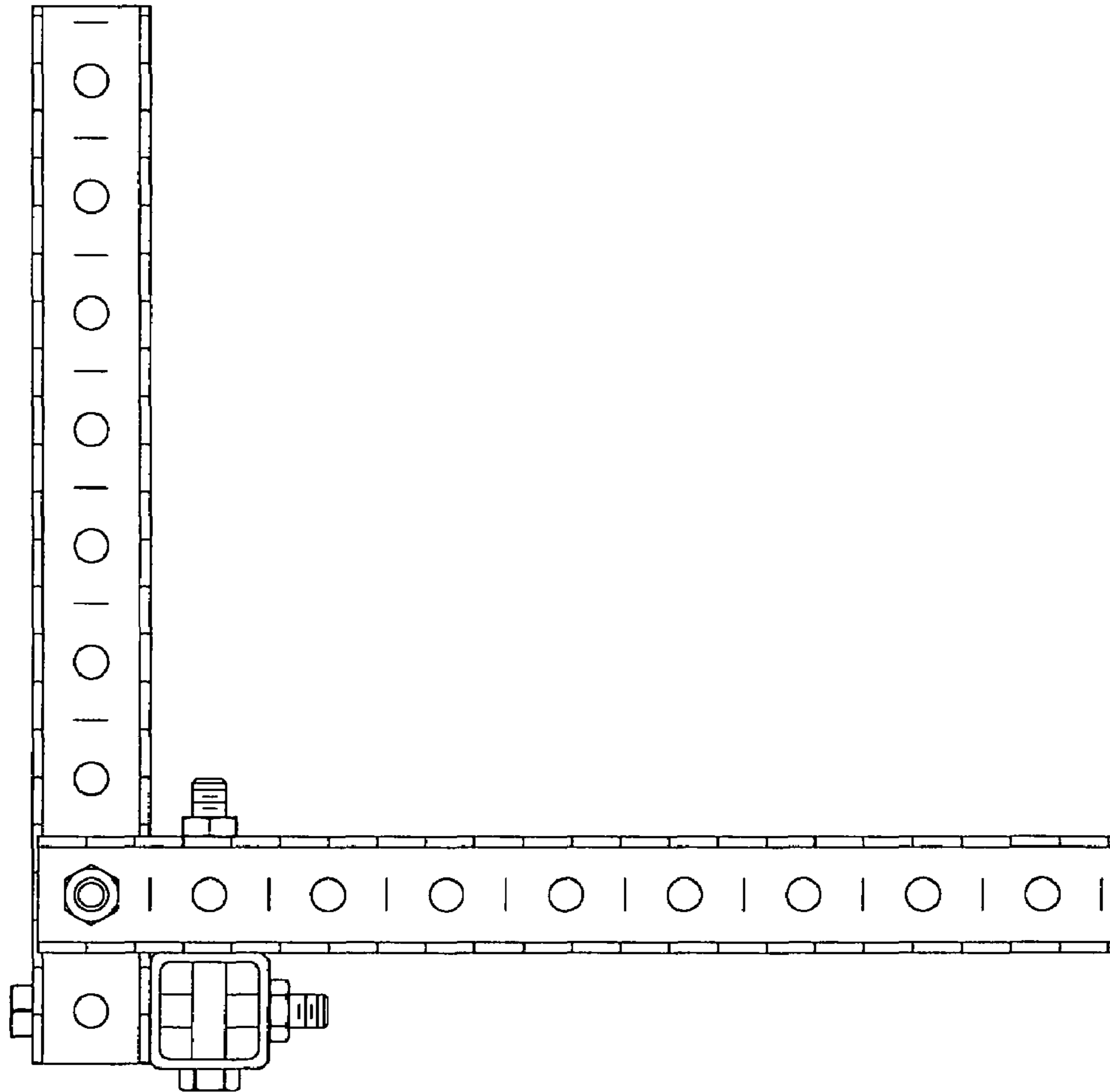


Fig. 2

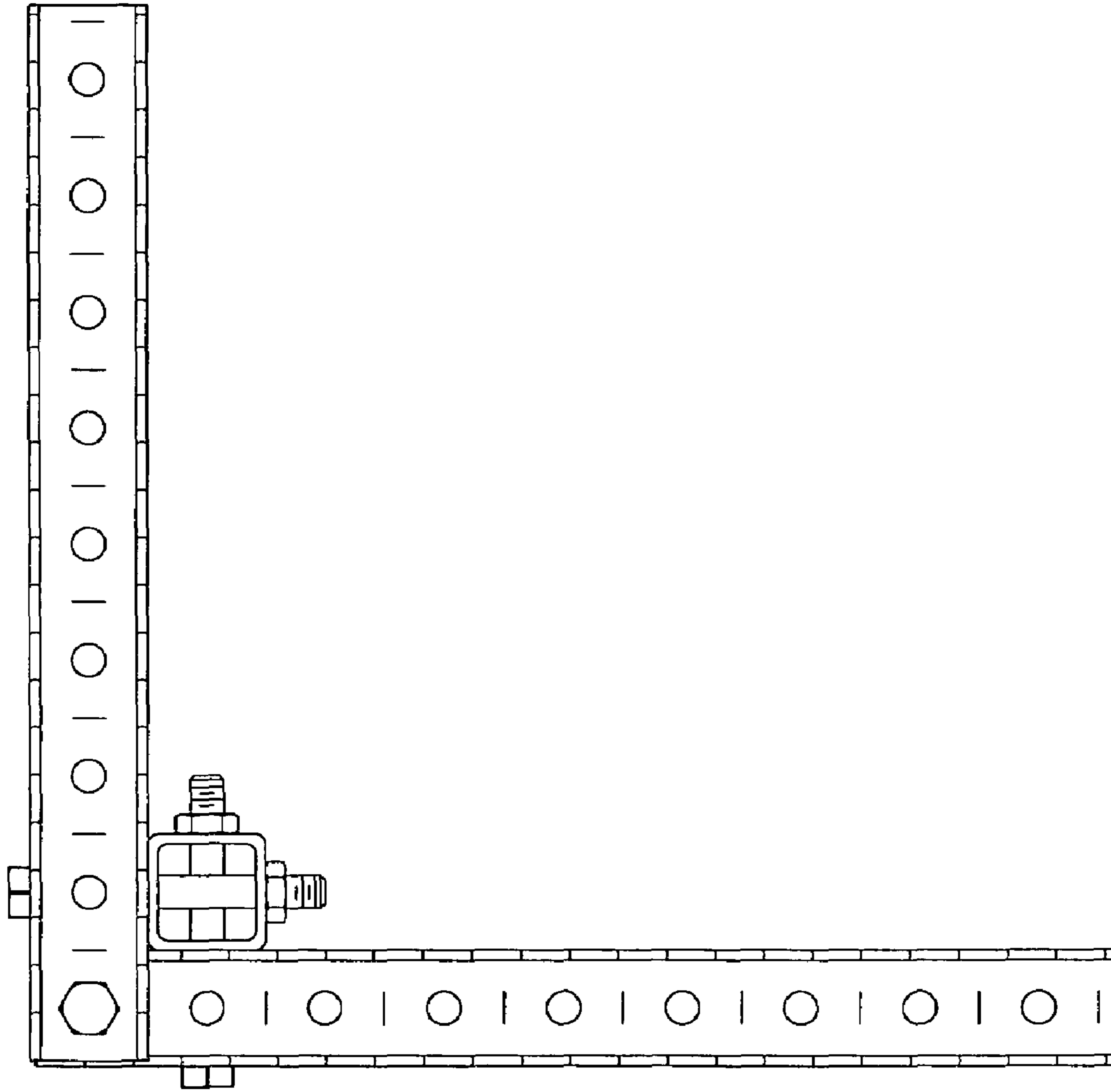


Fig. 3

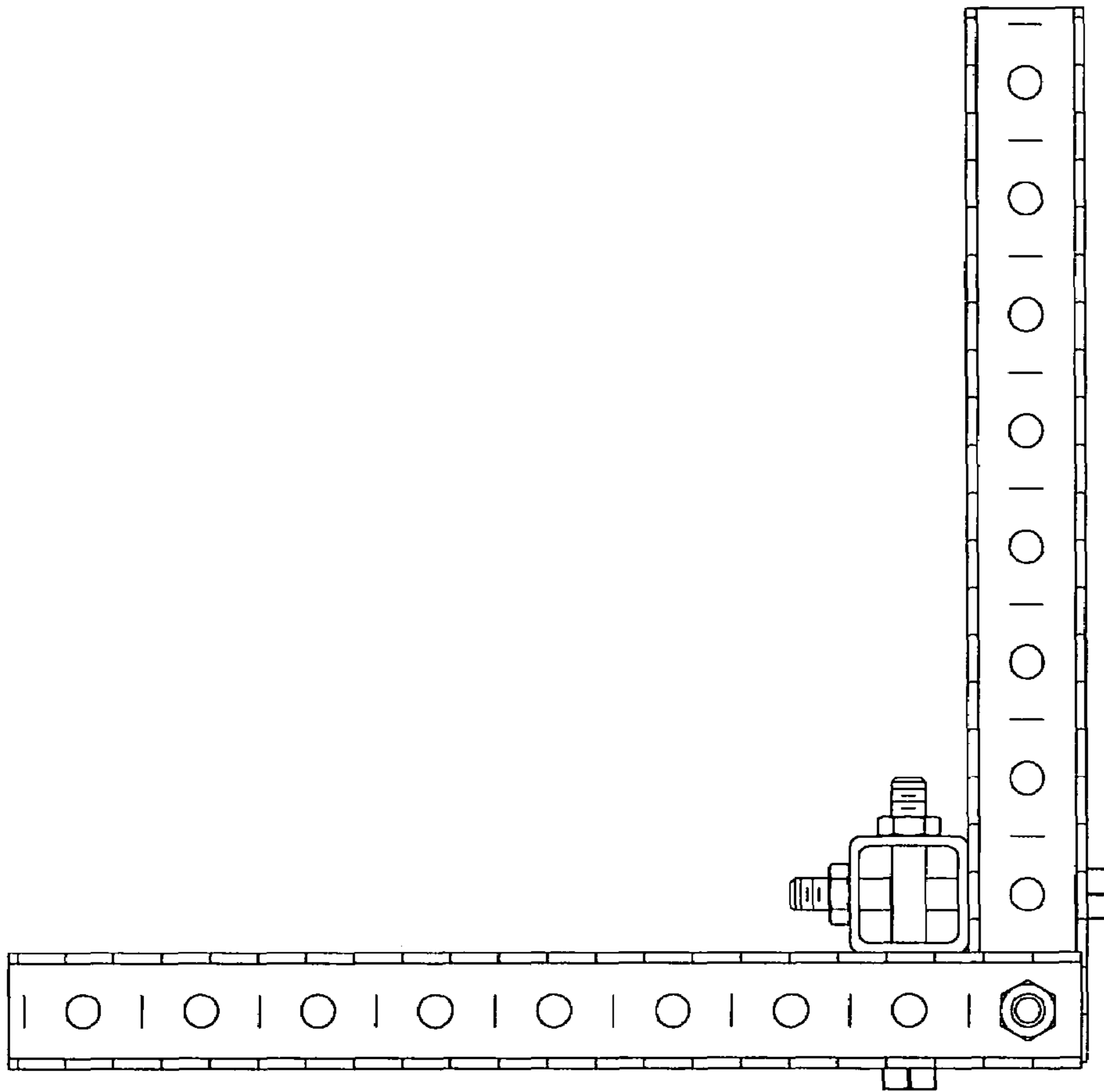


Fig. 4

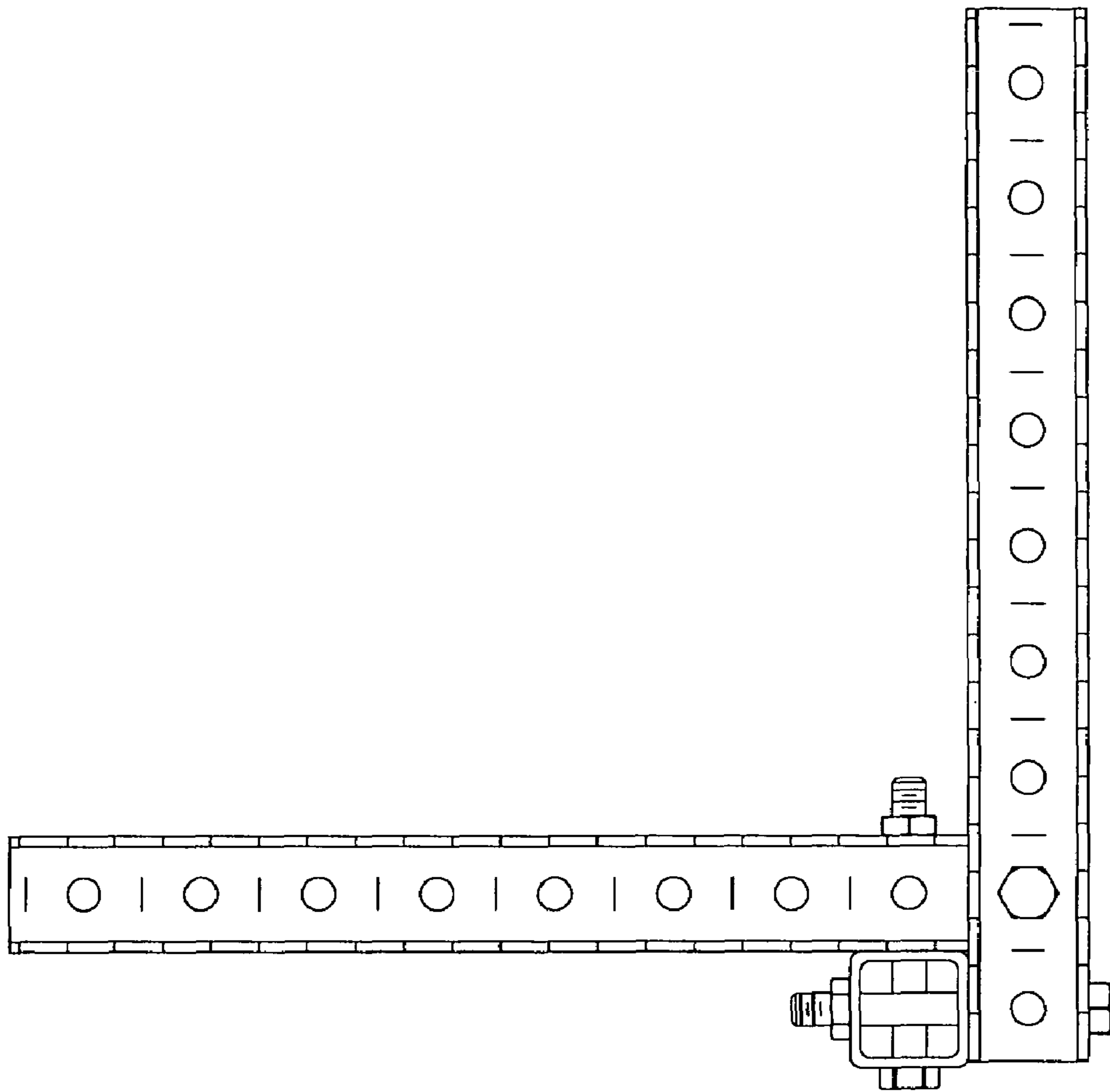


Fig. 5

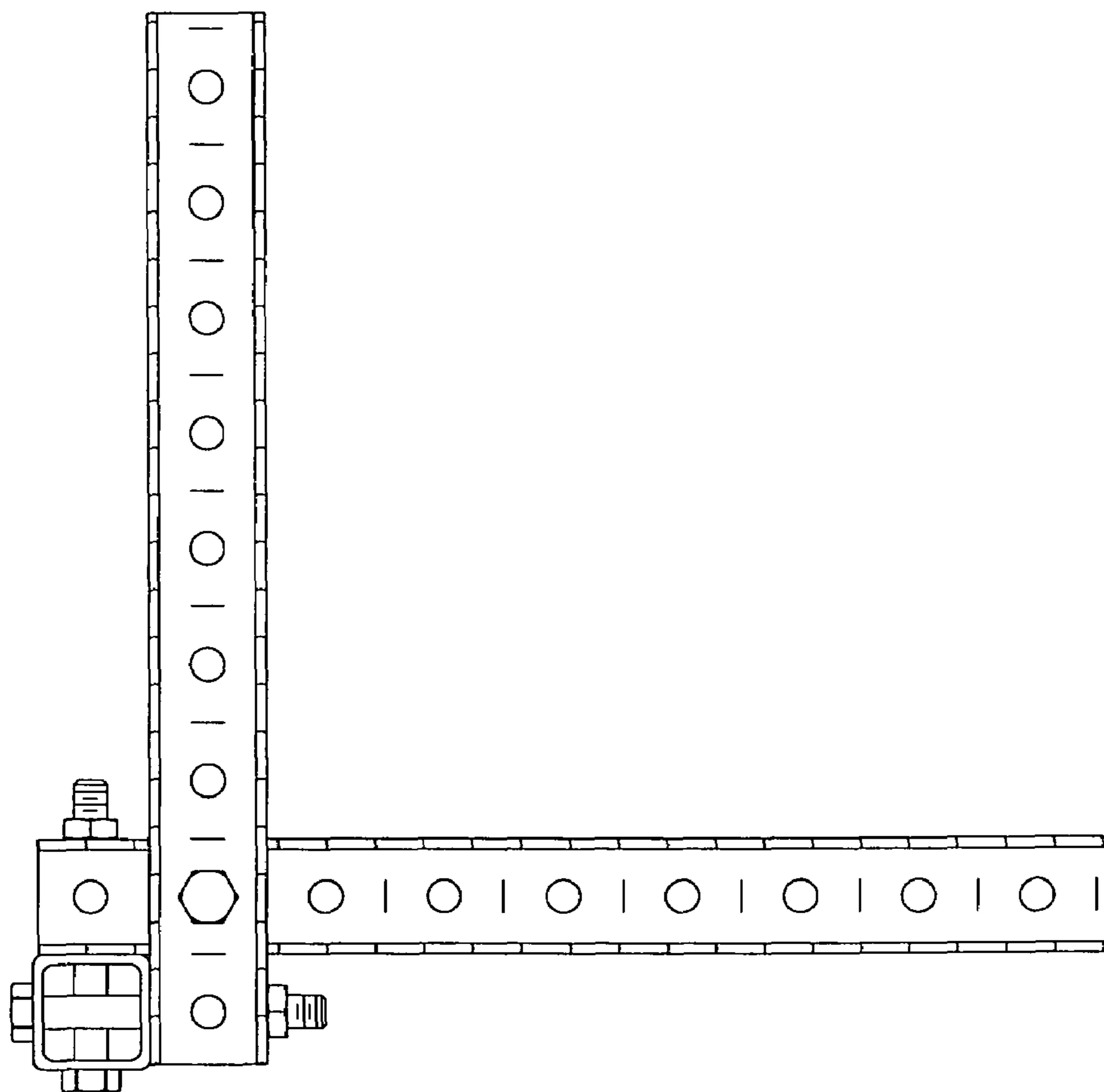


Fig. 6

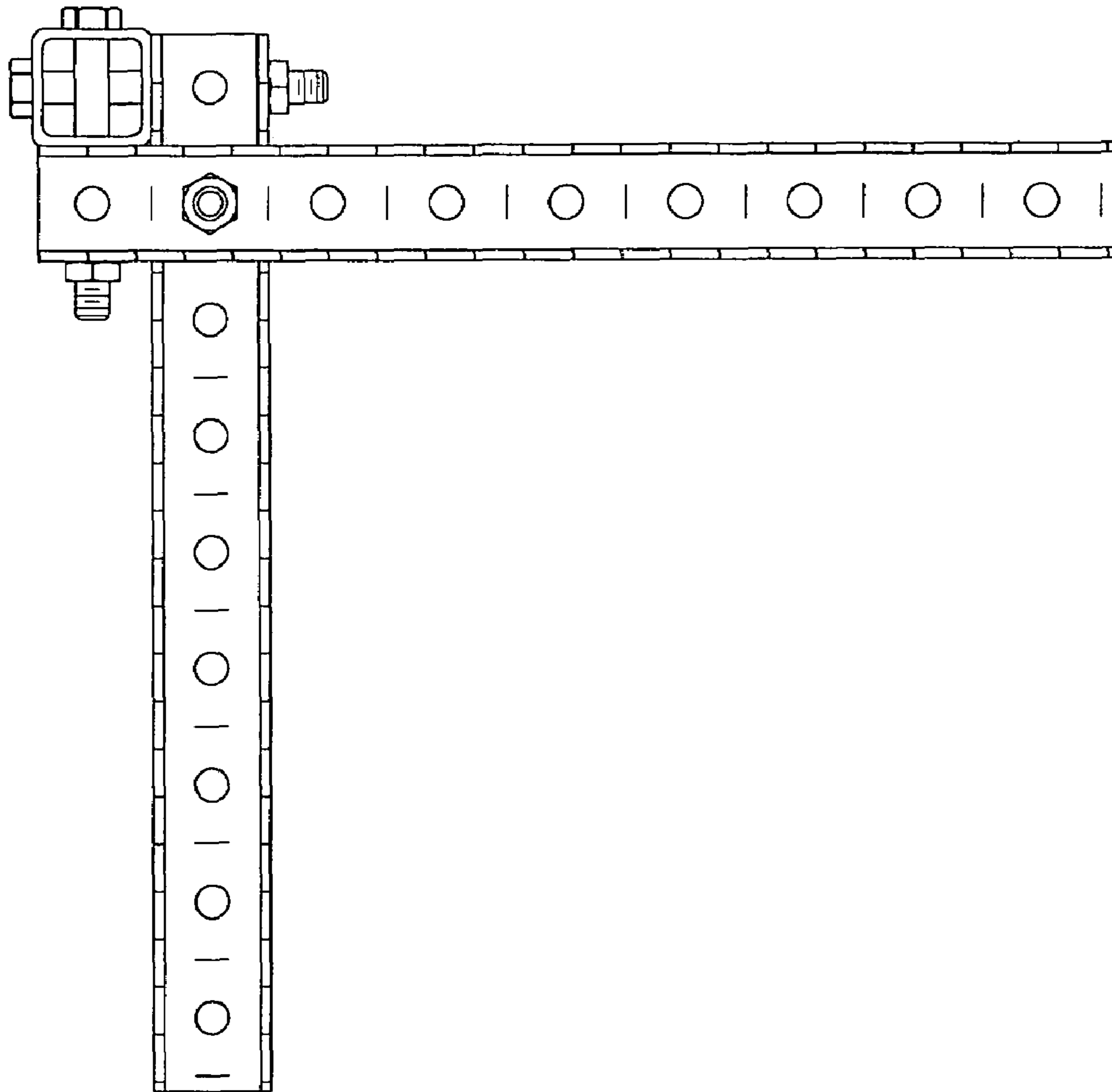


Fig. 7

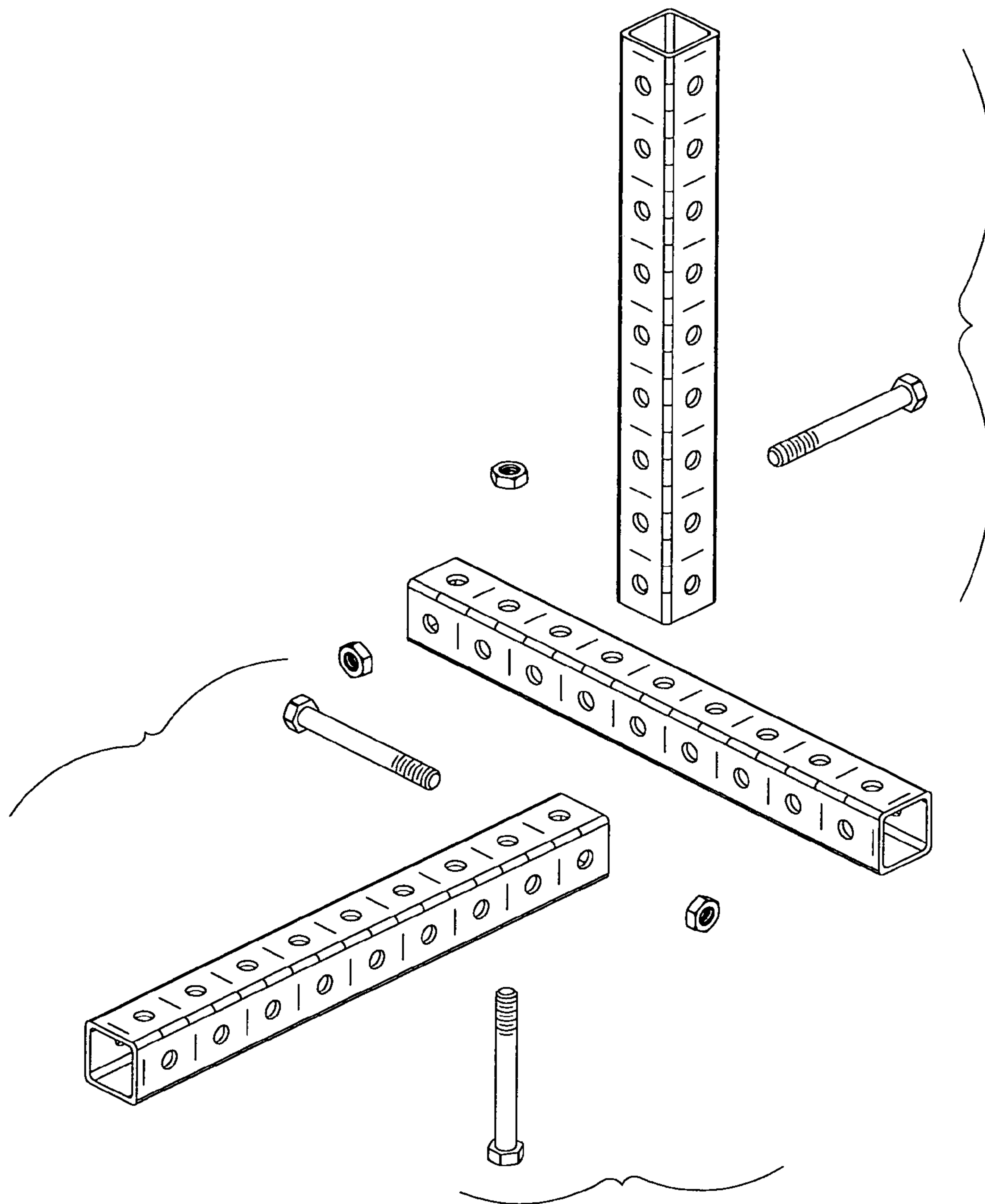


Fig. 8