



US00D598218S

(12) **United States Design Patent**
Siegel

(10) **Patent No.:** **US D598,218 S**

(45) **Date of Patent:** **** Aug. 18, 2009**

(54) **SHOE RACK**

(75) Inventor: **Ken Siegel**, Redondo Beach, CA (US)

(73) Assignee: **Earle Industries, Inc.**, Earle, AR (US)

(**) Term: **14 Years**

(21) Appl. No.: **29/304,904**

(22) Filed: **Mar. 10, 2008**

(51) **LOC (9) Cl.** **06-04**

(52) **U.S. Cl.** **D6/459; D6/513**

(58) **Field of Classification Search** 211/35,
211/113, 118, 193, 34, 36-38, 85.31; 248/214,
248/300, 309.2; D6/409-415, 449, 455-458,
D6/461-462, 464-468, 474, 476-479, 407,
D6/630, 512-514, 570, 315, 566

See application file for complete search history.

(56) **References Cited**

U.S. PATENT DOCUMENTS

3,974,917	A	8/1976	Waxmanski	
D291,641	S *	9/1987	Farley D6/566
4,896,778	A	1/1990	Ferdinand et al.	
5,172,816	A	12/1992	Kline et al.	
D367,382	S	2/1996	Tseng	
D377,728	S	2/1997	Klein et al.	
5,617,959	A *	4/1997	Klein et al. 211/37
D381,225	S	7/1997	Malik	
D382,434	S	8/1997	Klein et al.	
D384,224	S	9/1997	Dickinson et al.	
5,695,073	A	12/1997	Klein et al.	
D392,817	S	3/1998	Lee	
5,855,279	A	1/1999	Klein et al.	
D407,908	S	4/1999	Dickinson et al.	
D416,146	S	11/1999	Dickinson et al.	
D421,531	S	3/2000	Haas	
D422,794	S	4/2000	Licari	
D424,320	S	5/2000	Klein et al.	
D426,726	S	6/2000	Fenwick, Jr.	
D457,353	S	5/2002	Klein et al.	
D458,722	S	6/2002	Romero et al.	
D461,333	S	8/2002	Malik	
D463,182	S	9/2002	Klein et al.	
D470,338	S	2/2003	Licari	
D473,733	S	4/2003	Malik	

D476,167	S	6/2003	Klein et al.	
6,581,786	B1	6/2003	King et al.	
D481,560	S	11/2003	Vidmar et al.	
D488,003	S	4/2004	Malik	
D493,289	S	7/2004	Klein et al.	
6,786,337	B2	9/2004	Klein et al.	
D507,137	S	7/2005	Klein et al.	
D525,062	S	7/2006	Abdi et al.	
D530,540	S	10/2006	Stravitz	
RE39,638	E	5/2007	Klein et al.	
D543,727	S	6/2007	Thaler	
7,249,679	B2	7/2007	Klein	
7,293,662	B2	11/2007	Klein et al.	
2004/0035806	A1 *	2/2004	Klein et al. 211/34
2006/0049121	A1 *	3/2006	Klein et al. 211/35
2007/0284321	A1 *	12/2007	Qiang 211/38

* cited by examiner

Primary Examiner—Caron Veynar

Assistant Examiner—Sydney R Buffalow

(74) *Attorney, Agent, or Firm*—H. Frederick Rusche; Husch Blackwell Sanders LLP

(57) **CLAIM**

I claim the ornamental design for a shoe rack, as shown and described.

DESCRIPTION

FIG. 1 is a perspective view of a shoe rack showing my new design;

FIG. 2 is a front view thereof;

FIG. 3 is a rear view thereof;

FIG. 4 is a left side view thereof;

FIG. 5 is a right side view thereof;

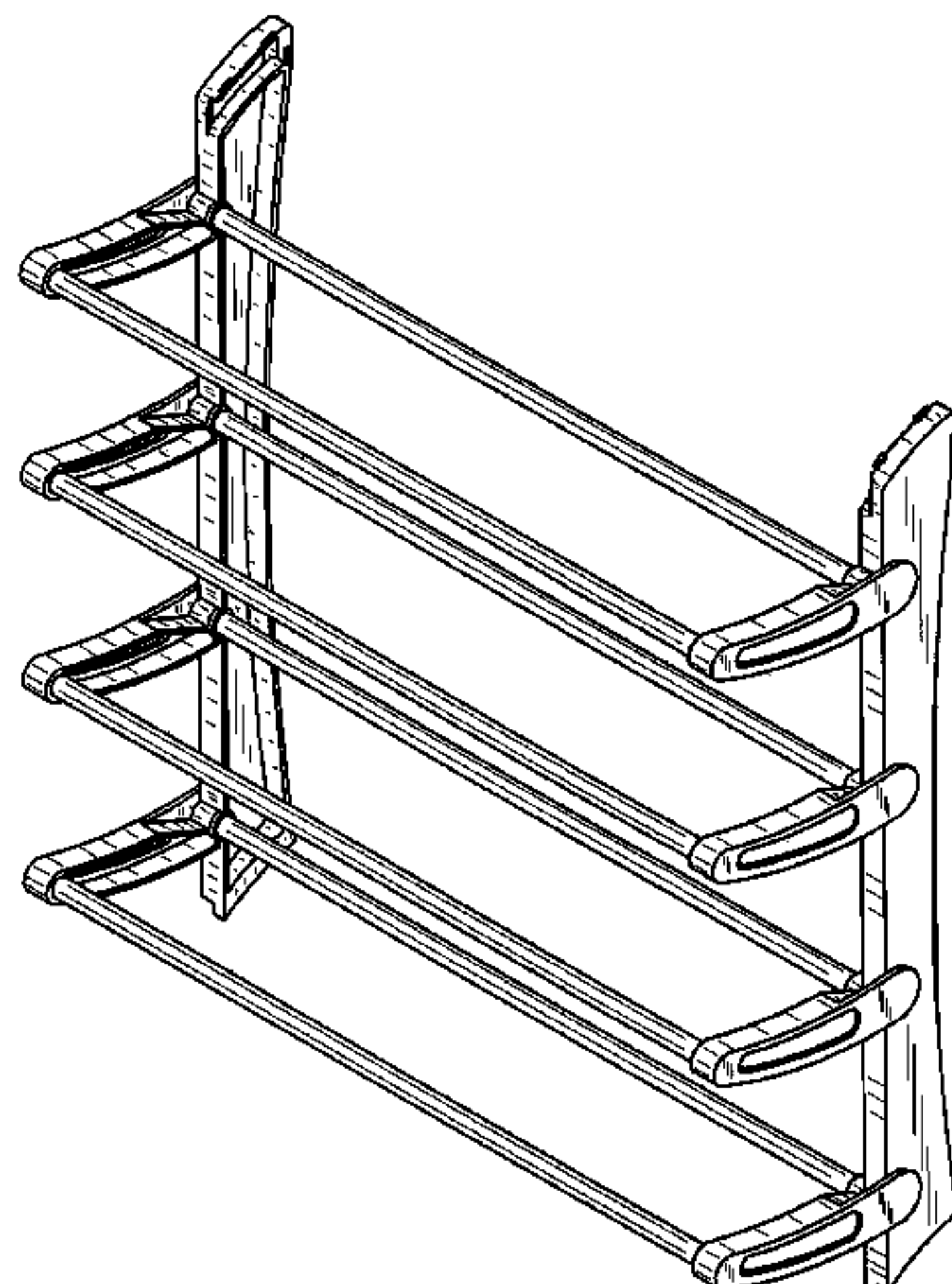
FIG. 6 is a top view thereof; and

FIG. 7 is a bottom view thereof.

FIG. 8 is a left side view of a shoe rack in an alternate position thereof; and,

FIG. 9 is a perspective view of a shoe rack in a second embodiment.

1 Claim, 5 Drawing Sheets



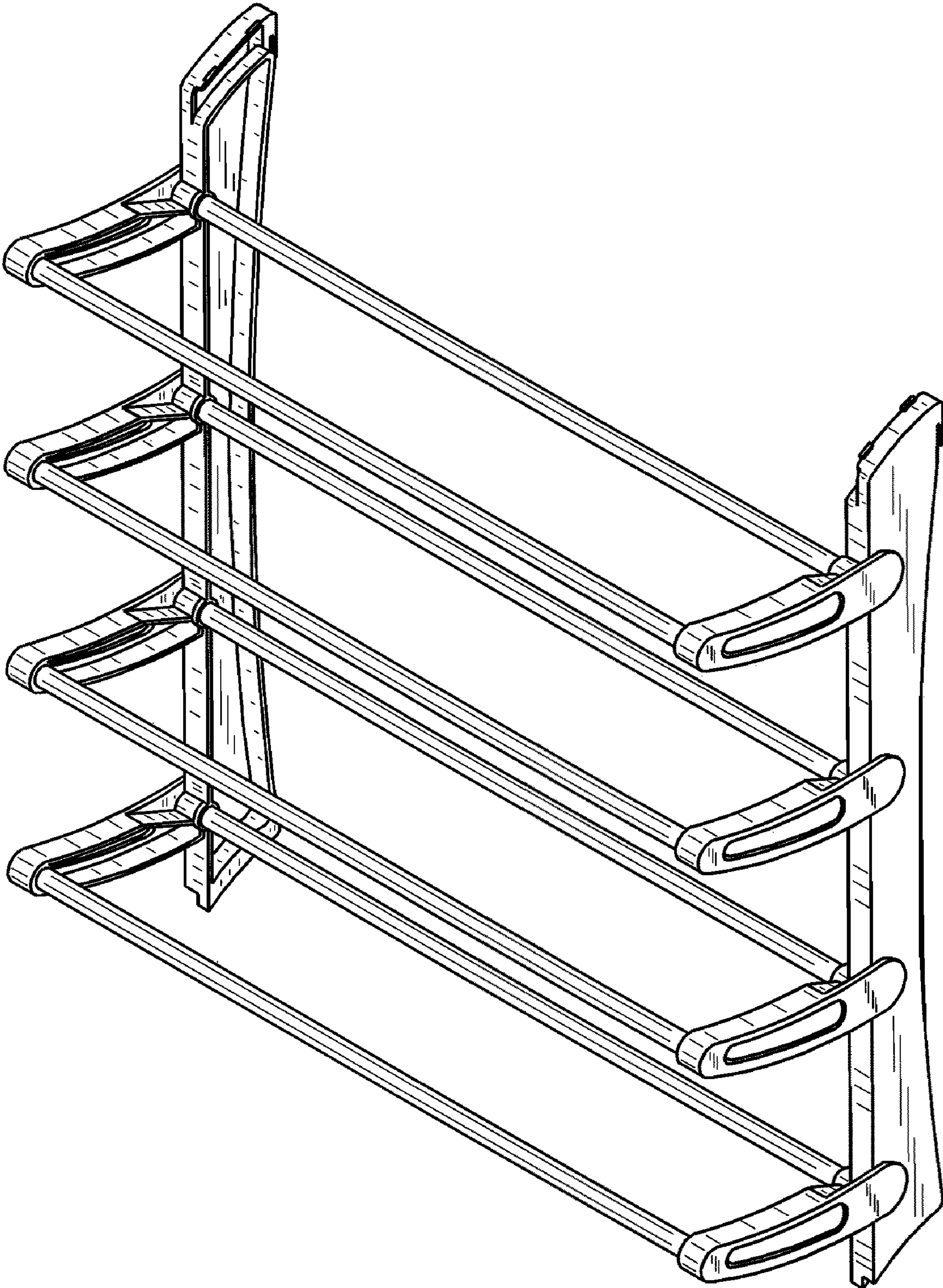


FIG. 1

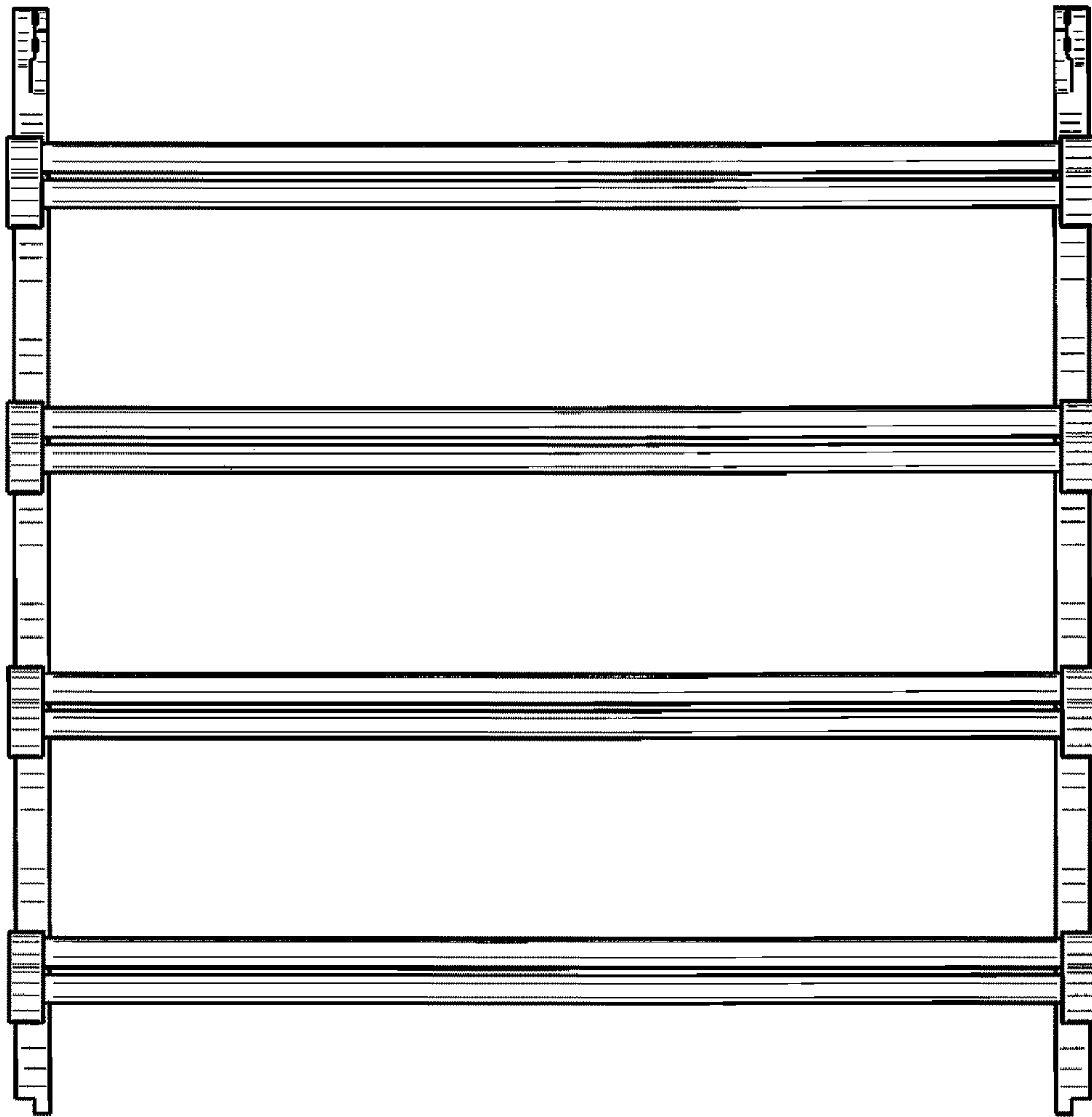


FIG. 2

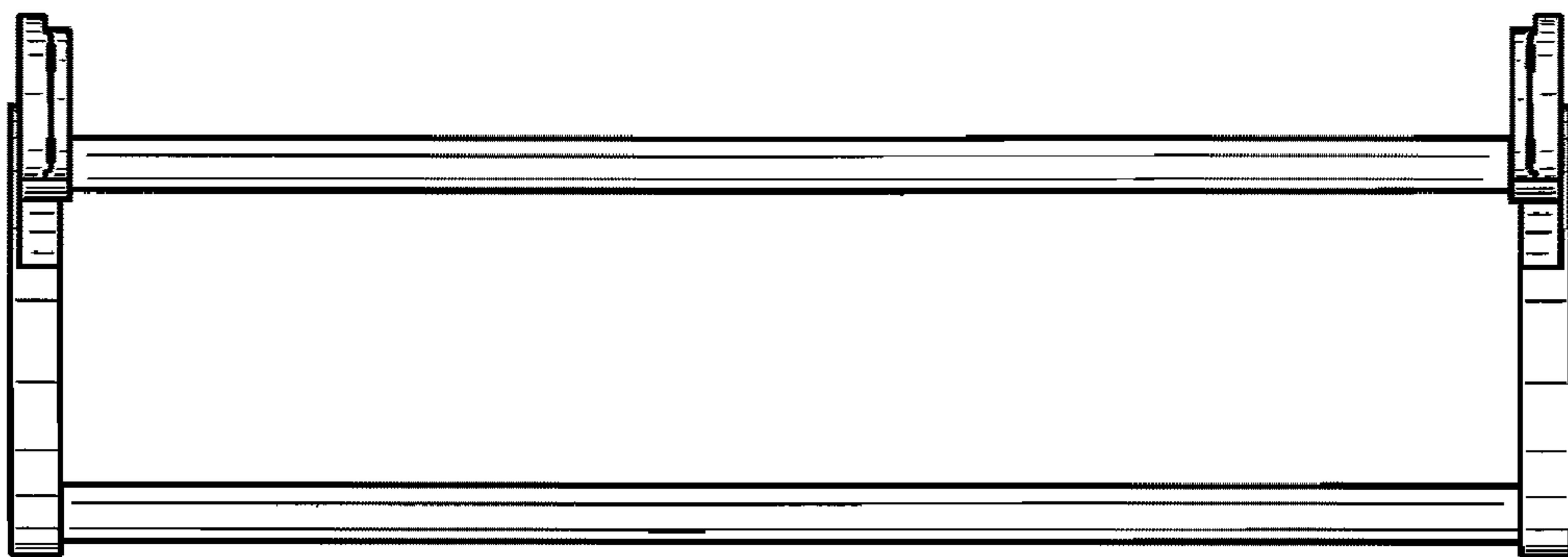


FIG. 6

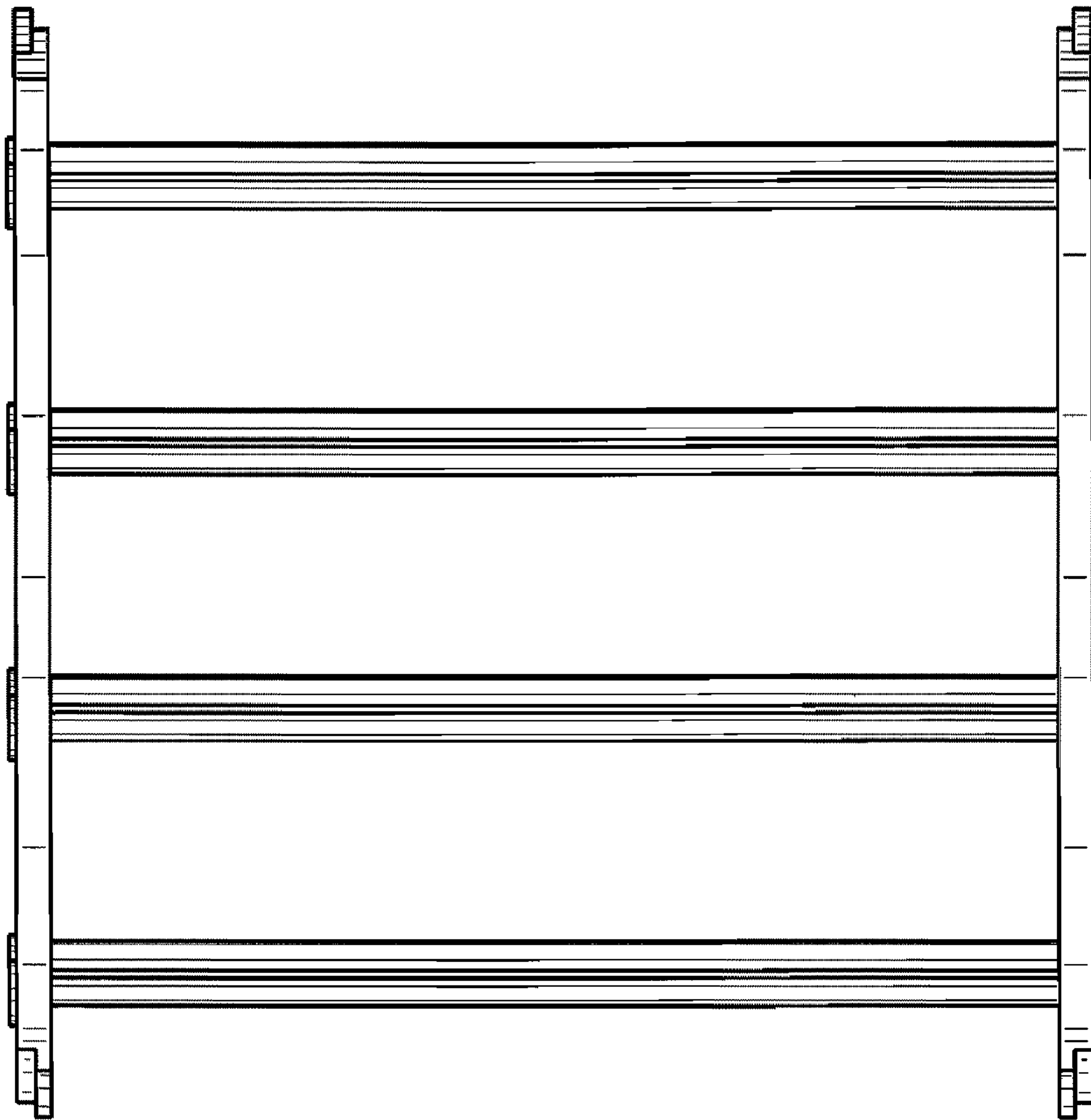


FIG. 3

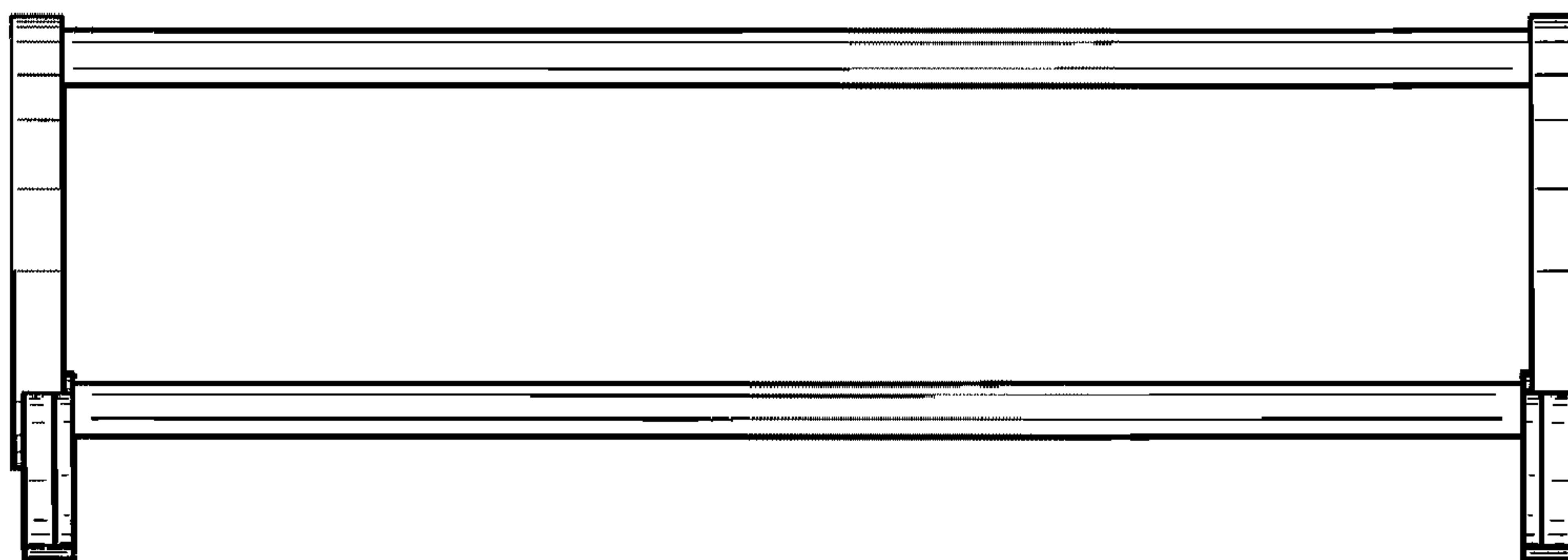


FIG. 7

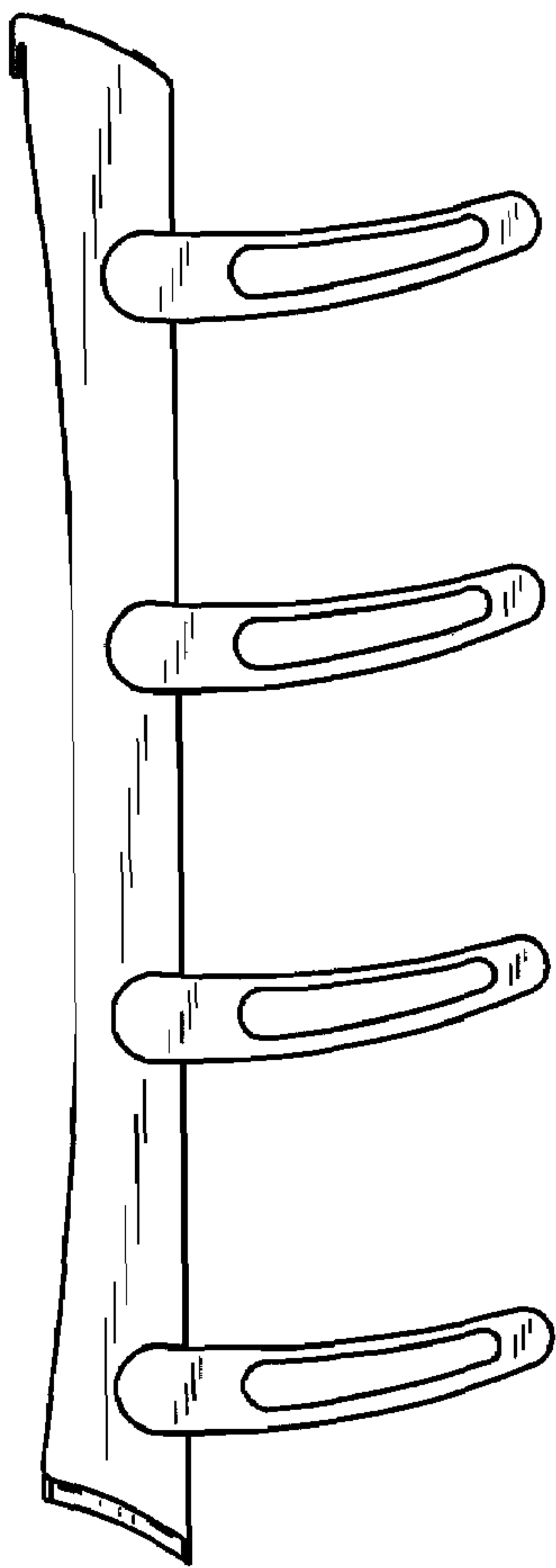


FIG. 4

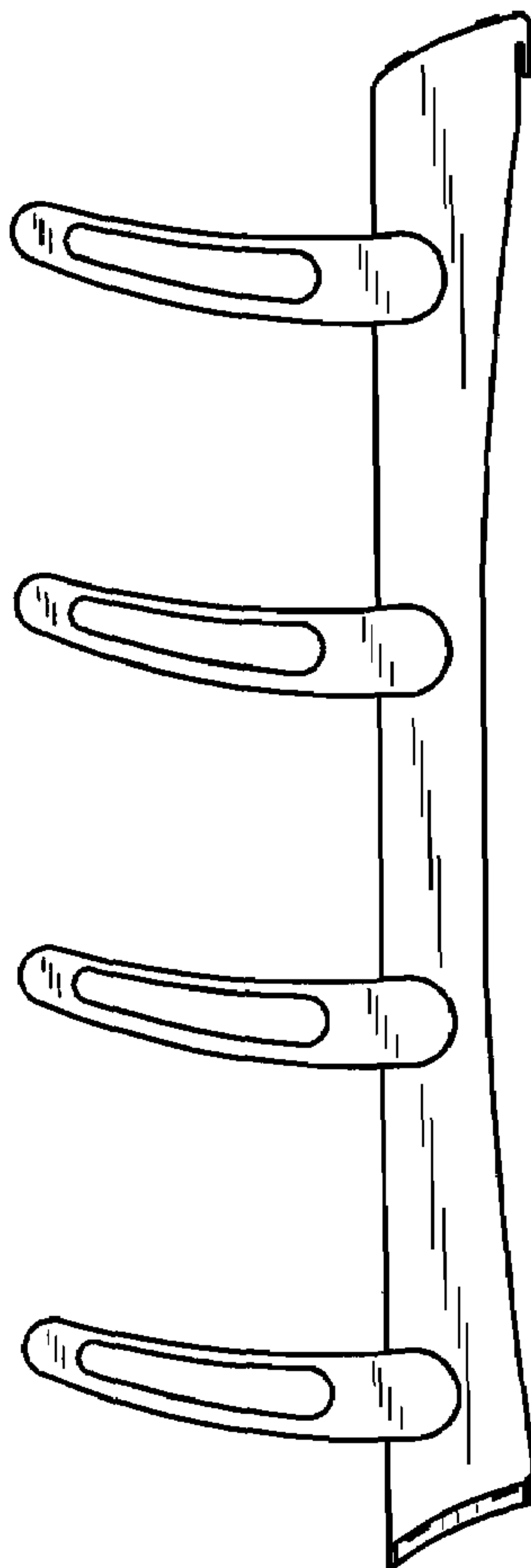


FIG. 5

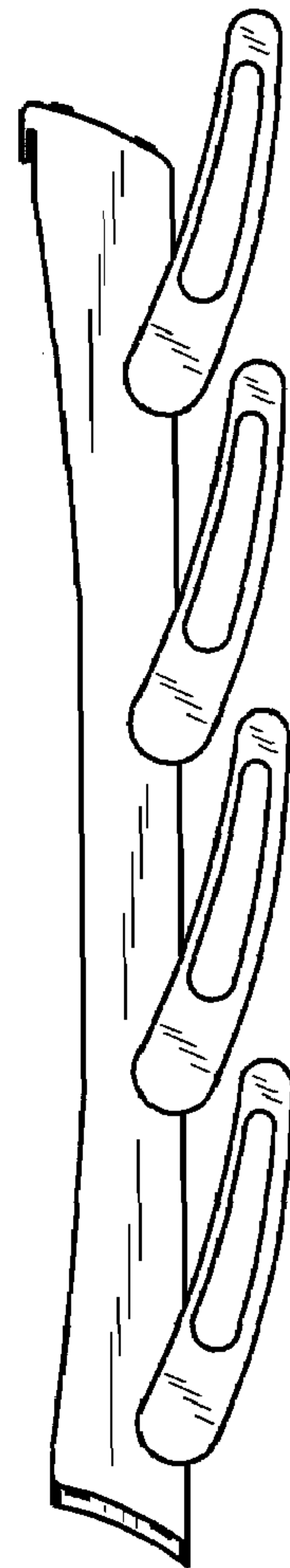


FIG. 8

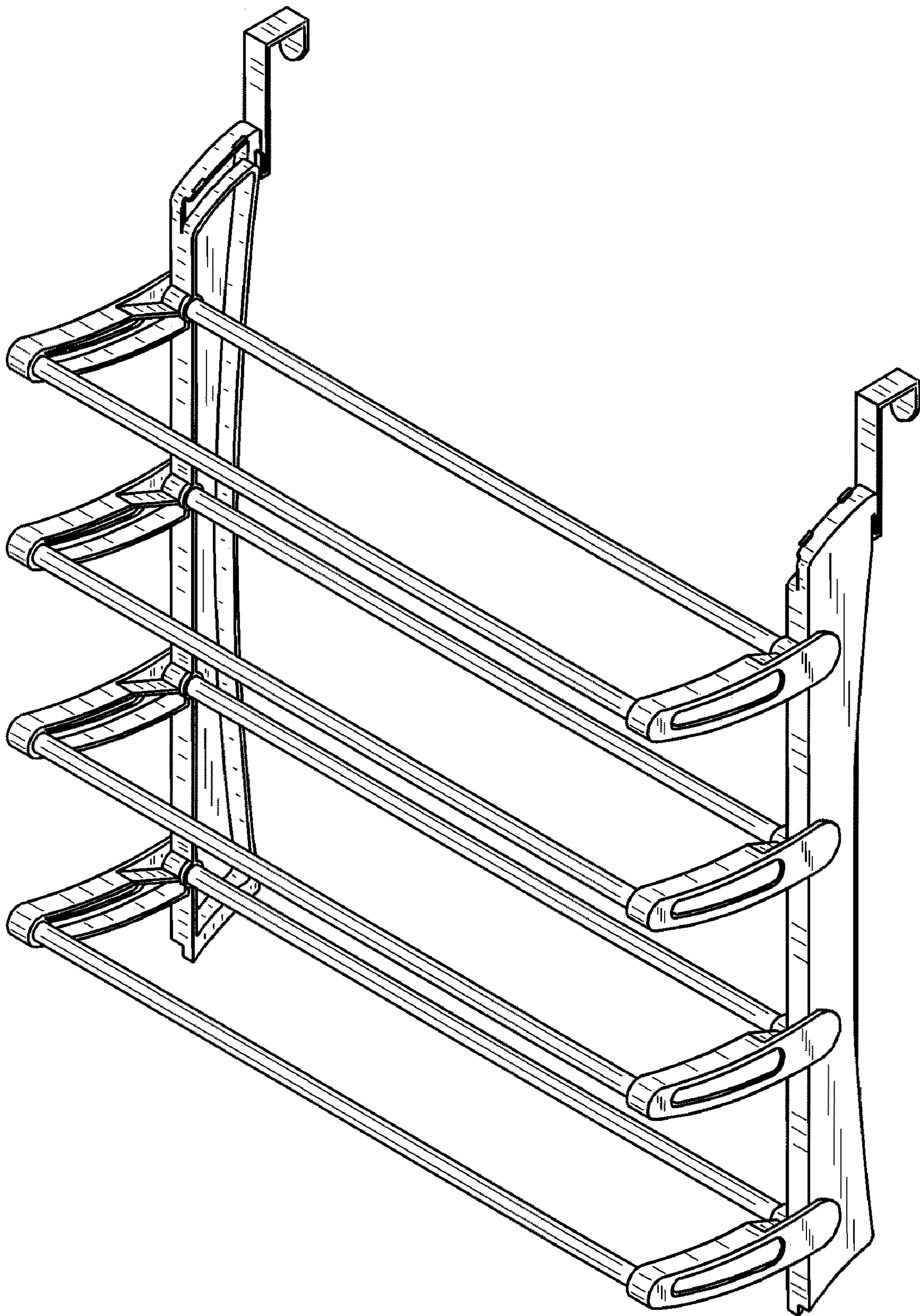


FIG. 9