



US00D598217S

(12) **United States Design Patent**
Bode

(10) **Patent No.:** **US D598,217 S**

(45) **Date of Patent:** **** Aug. 18, 2009**

(54) **FLOOR SIGN HOLDER**

(75) Inventor: **Troy Bode**, Fishers, IN (US)

(73) Assignee: **Deflecto Corporation**, Indianapolis, IN (US)

(**) Term: **14 Years**

(21) Appl. No.: **29/306,650**

(22) Filed: **Apr. 14, 2008**

(51) **LOC (9) Cl.** **06-04**

(52) **U.S. Cl.** **D6/449**

(58) **Field of Classification Search** D6/419,
D6/312, 449, 429-431, 420; D20/19, 41;
D17/99; 248/441.1, 448.449, 454, 460; 40/607.1,
40/607.04, 607.11, 607.13, 665, 611.06,
40/494, 651, 606.15, 606.01, 606.14
See application file for complete search history.

(56) **References Cited**

U.S. PATENT DOCUMENTS

641,522	A *	1/1900	Leger	40/651
4,777,750	A *	10/1988	Garfinkle	40/607.04
D342,549	S *	12/1993	Hofman	D20/41
D346,286	S *	4/1994	Caponigro et al.	D6/419
D388,262	S *	12/1997	Benting et al.	D6/419
D478,343	S *	8/2003	Heid	D17/99
D535,109	S *	1/2007	Palmer	D6/312
D543,366	S *	5/2007	Weatherly	D6/312
D556,833	S *	12/2007	Maier-Hunke	D20/41
D582,986	S *	12/2008	Sanchez	D20/19

2002/0166275 A1* 11/2002 Broadwell et al. 40/606
2002/0174582 A1* 11/2002 Garfinkle et al. 40/606
2008/0028652 A1* 2/2008 Makhija et al. 40/606.15

* cited by examiner

Primary Examiner—Caron Veynar

Assistant Examiner—Sydney R Buffalow

(74) *Attorney, Agent, or Firm*—Sonnenschein Nath & Rosenthal LLP; Brian R. McGinley

(57) **CLAIM**

The ornamental design for a floor sign holder, as shown and described.

DESCRIPTION

FIG. 1 is a perspective view of a floor sign holder illustrating the new design;

FIG. 2 is a front elevational view of the floor sign holder illustrated in FIG. 1;

FIG. 3 is a right side elevational view of the floor sign holder illustrated in FIG. 1;

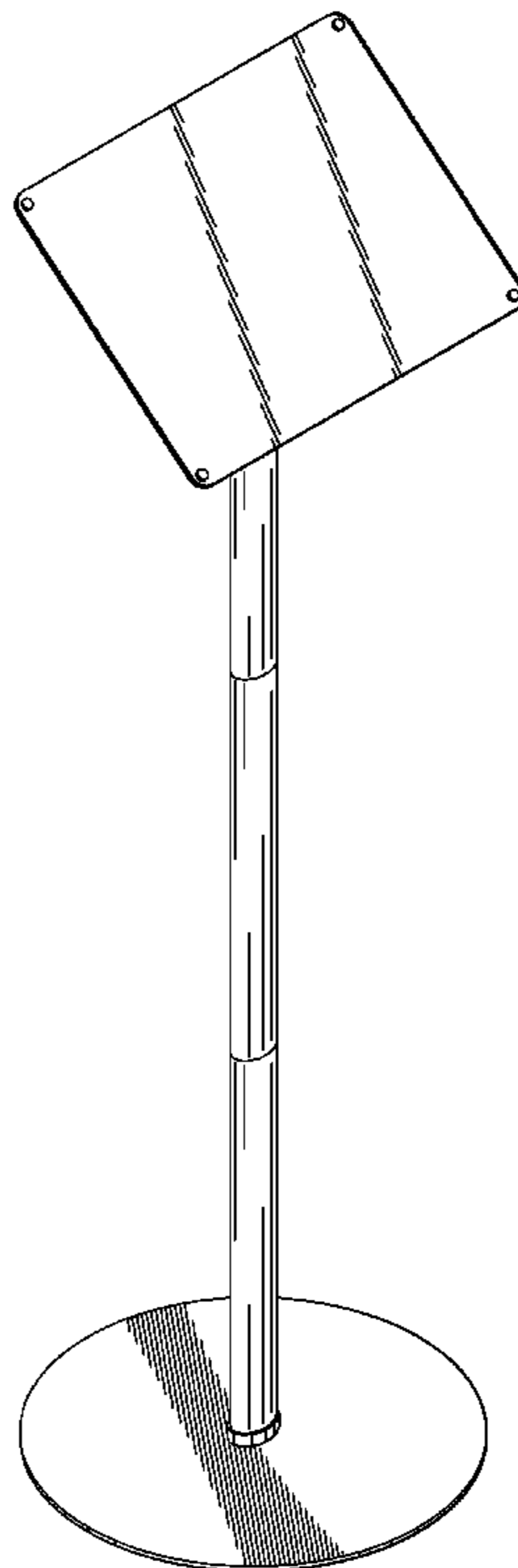
FIG. 4 is a rear elevational view of the floor sign holder illustrated in FIG. 1;

FIG. 5 is a left side elevational view of the floor sign holder shown in FIG. 1;

FIG. 6 is a top view of the floor sign holder illustrated in FIG. 1; and,

FIG. 7 is a bottom view of the floor sign holder illustrated in FIG. 1.

1 Claim, 3 Drawing Sheets



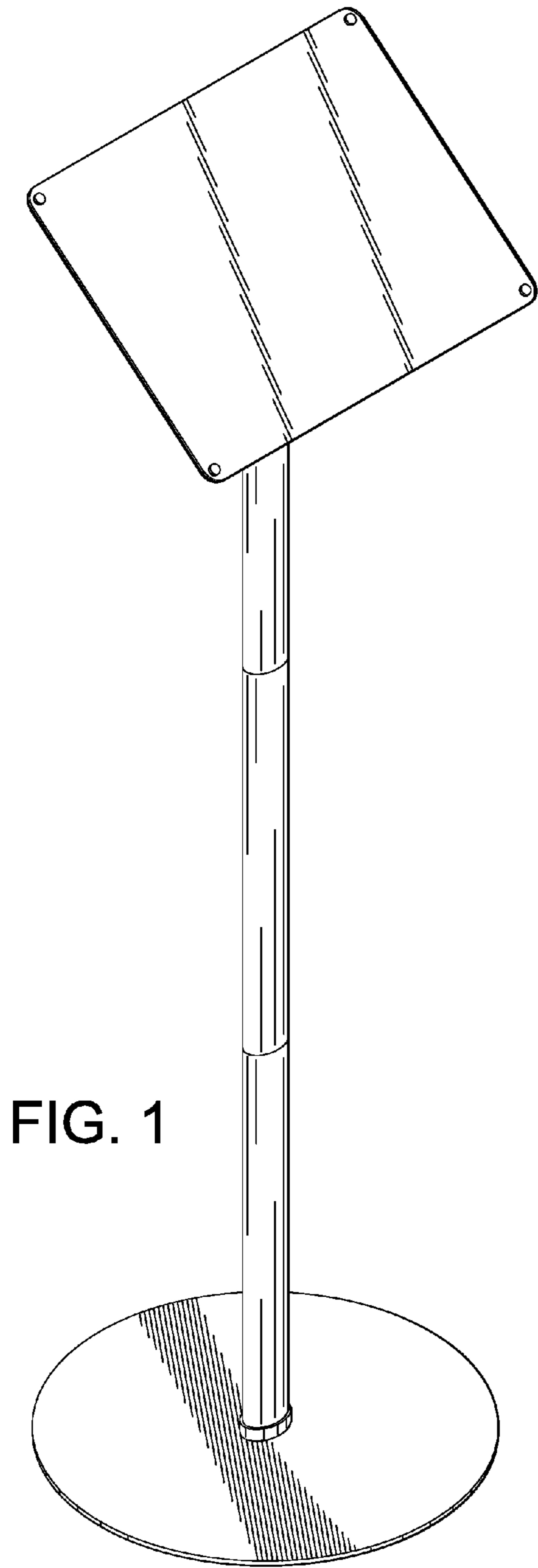


FIG. 1

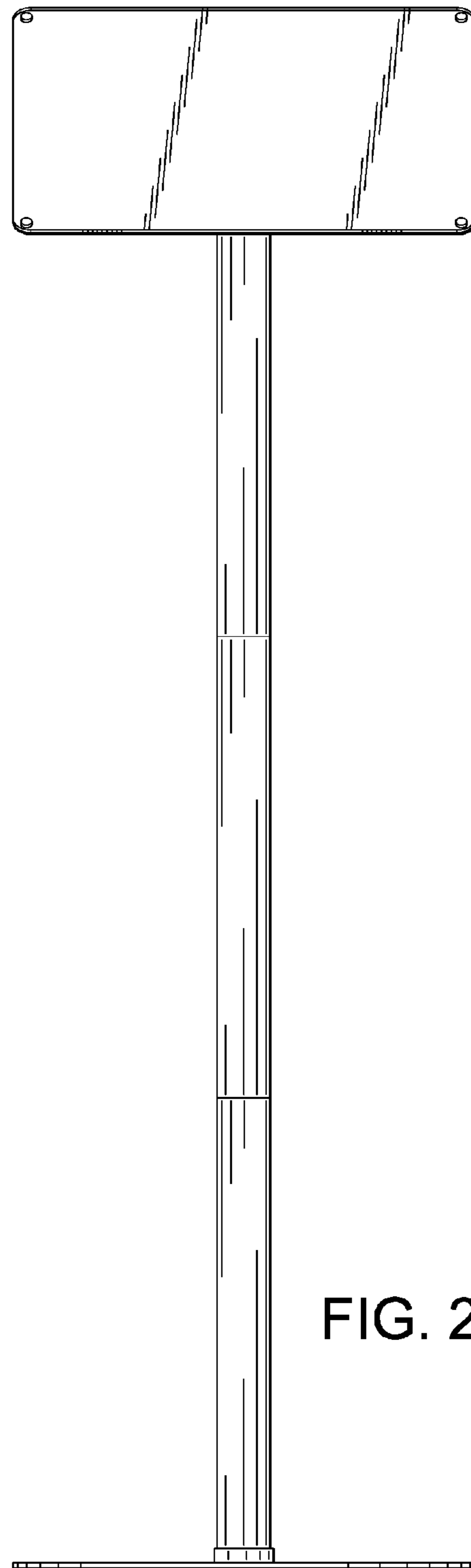


FIG. 2

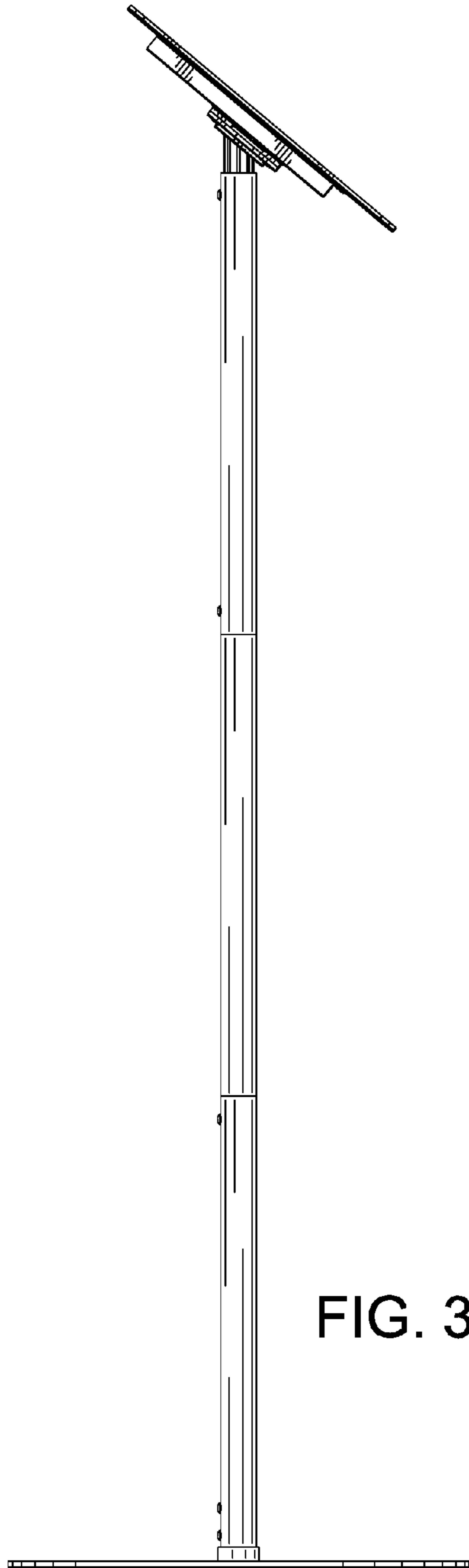


FIG. 3

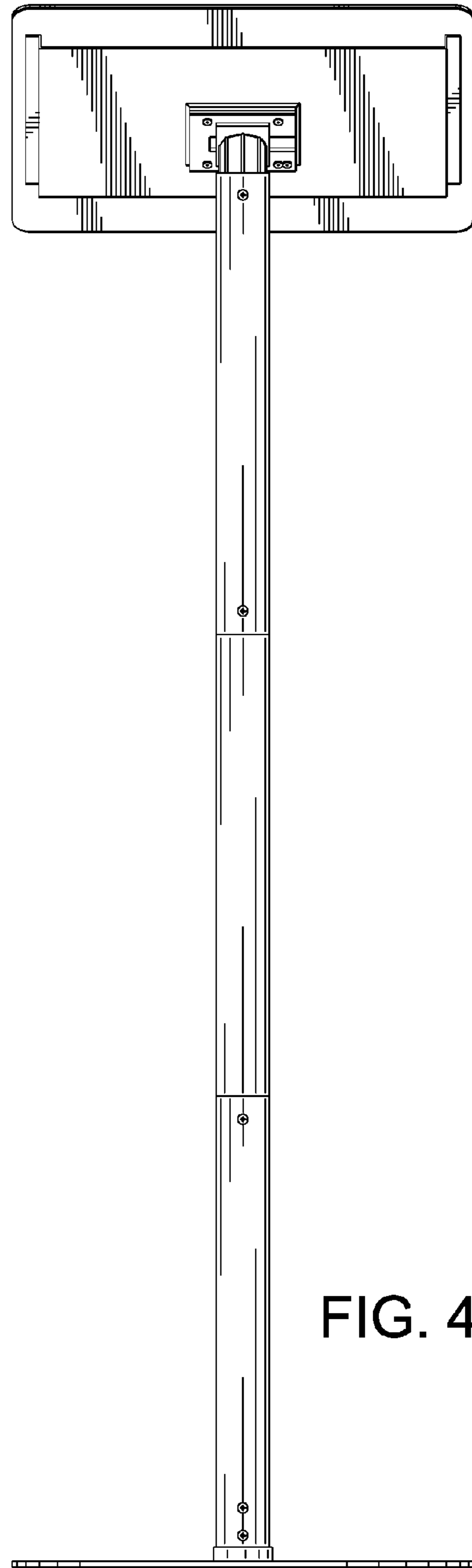


FIG. 4

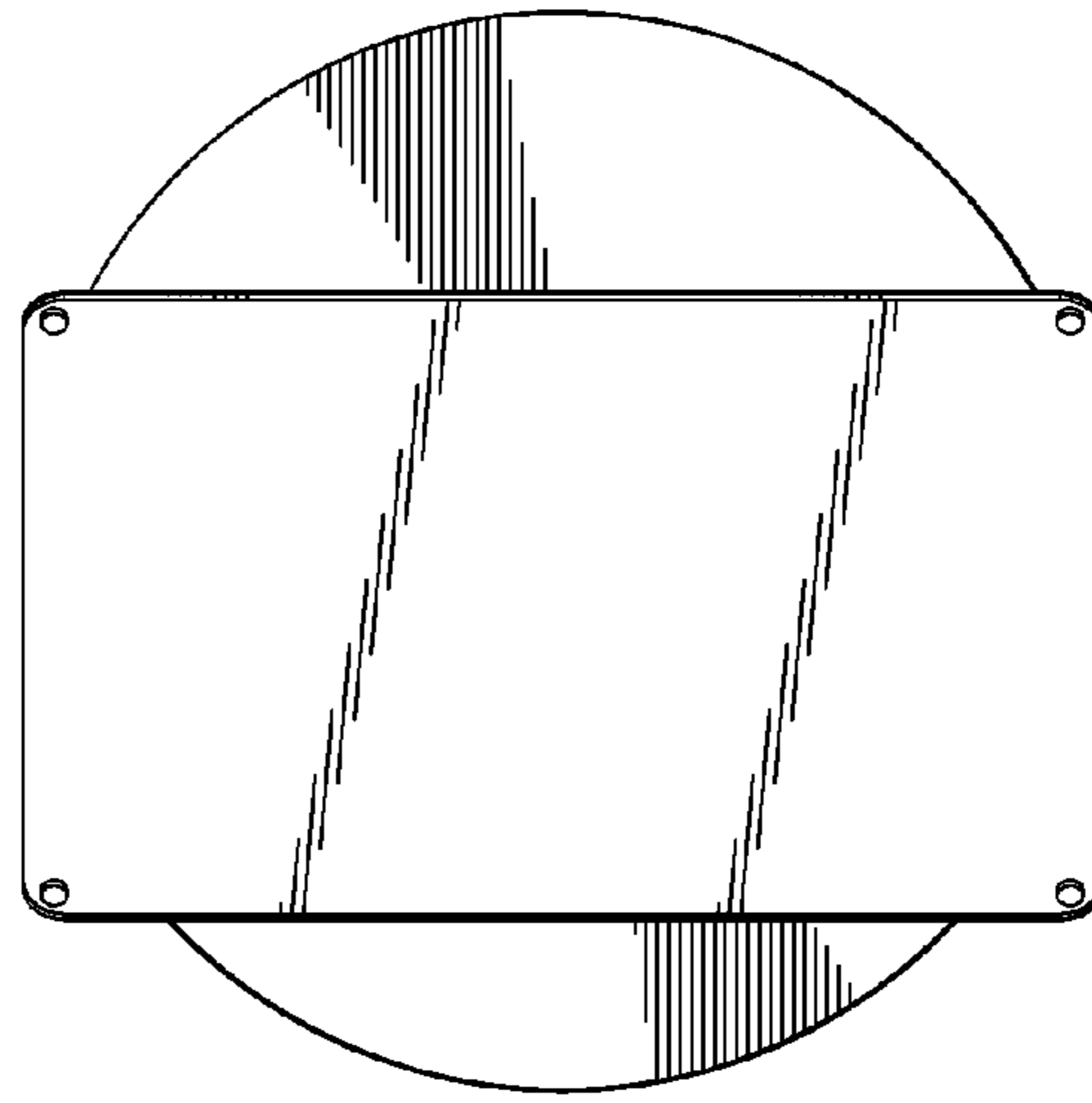
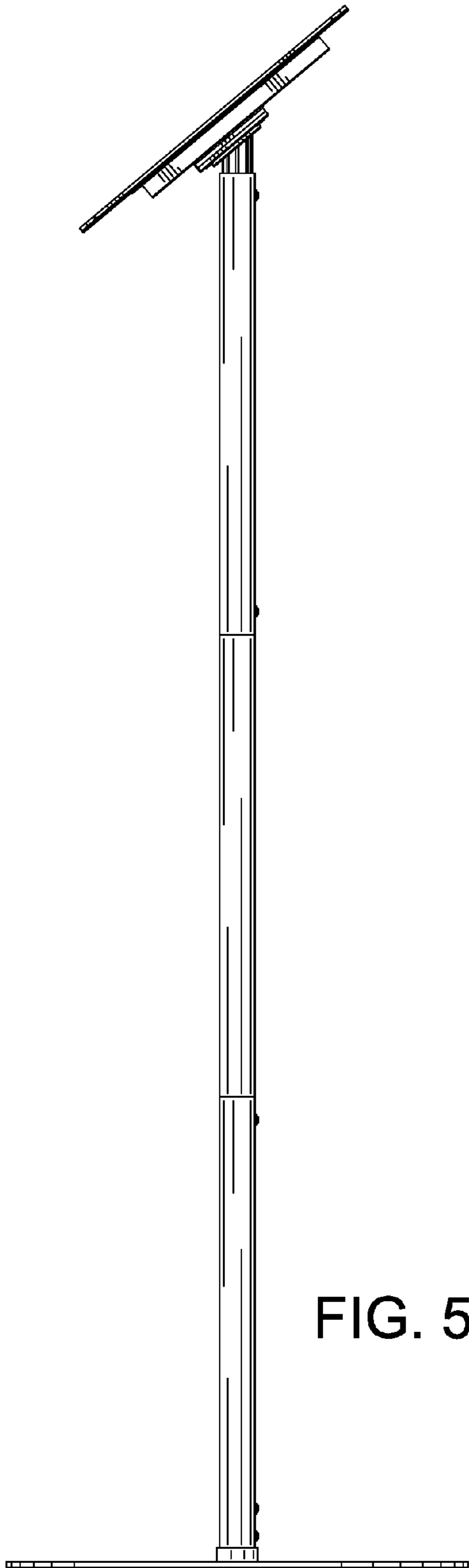


FIG. 6

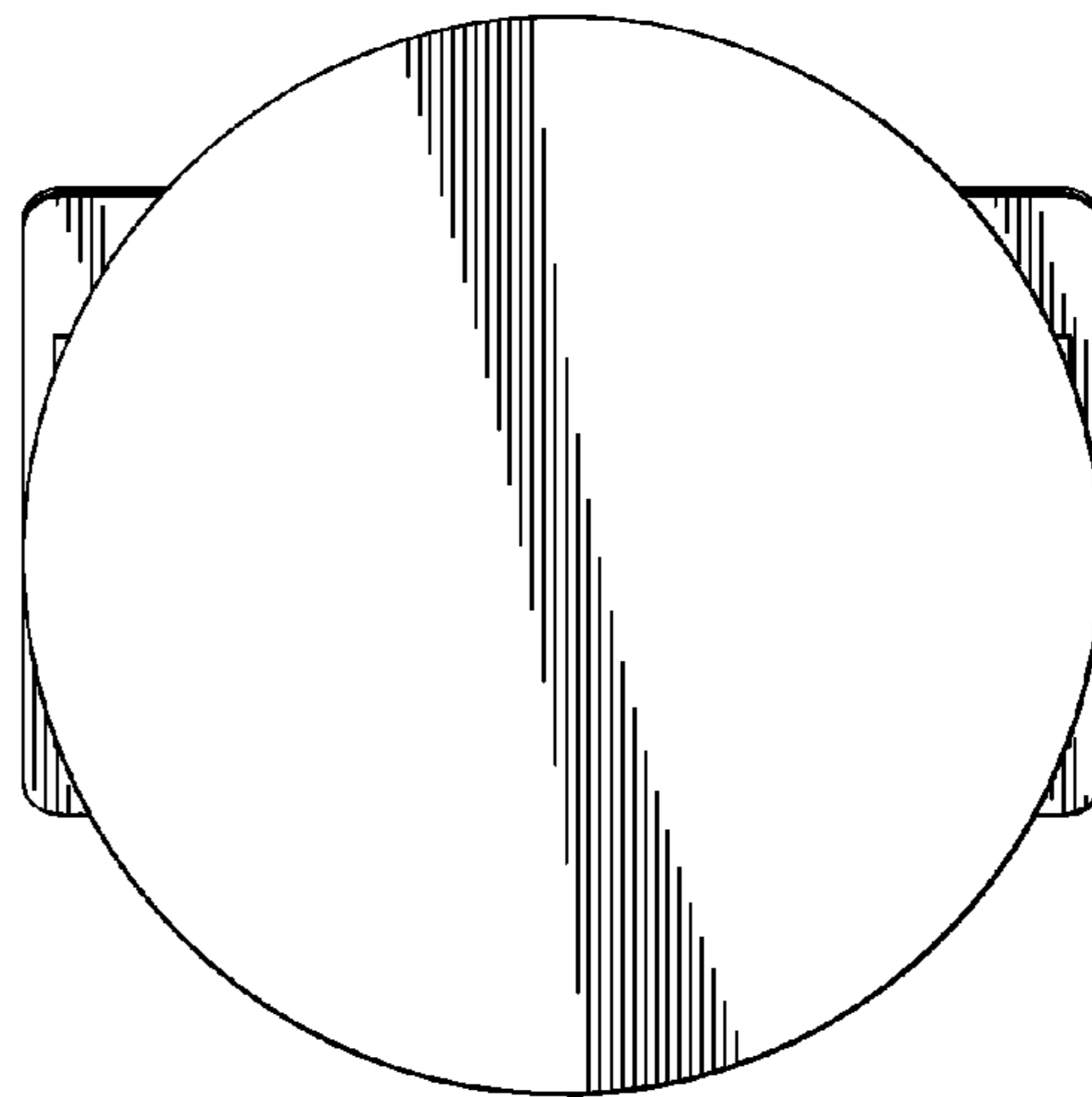


FIG. 7