



US00D598216S

(12) **United States Design Patent**  
**Wong et al.**

(10) **Patent No.:** **US D598,216 S**  
(45) **Date of Patent:** **\*\* Aug. 18, 2009**

(54) **SHOE CABINET**

(75) Inventors: **Catherine Mary Wong**, Sydney (AU);  
**Christopher Keith Edward Burgess**,  
Sydney (AU)

(73) Assignee: **CNG Asia-Pacific Pty Ltd as Trustees**  
**for the Wong Family Trust**, South  
Coogee (AU)

(\*\*) Term: **14 Years**

(21) Appl. No.: **29/317,179**

(22) Filed: **Apr. 23, 2008**

(51) **LOC (9) Cl.** ..... **06-04**

(52) **U.S. Cl.** ..... **D6/445**

(58) **Field of Classification Search** ..... D6/445,  
D6/446, 432, 448, 447, 436, 396, 560, 561,  
D6/559, 422; D3/273, 280, 283, 319; D34/12,  
D34/19; 312/273, 249.11, 109, 330.1, 333,  
312/138.1, 100, 204; D12/423

See application file for complete search history.

(56) **References Cited**

**U.S. PATENT DOCUMENTS**

1,678,415 A \* 7/1928 Ahles ..... 312/6  
D239,065 S \* 3/1976 Sgombick ..... D6/445  
D264,288 S \* 5/1982 Heather ..... D6/445

4,736,996 A \* 4/1988 Zeichner ..... 312/118  
D314,874 S \* 2/1991 Quartermaine ..... D6/432  
D331,506 S \* 12/1992 White ..... D6/445  
D370,365 S \* 6/1996 Brunner et al. .... D6/445  
D386,626 S \* 11/1997 Yemini ..... D6/445  
D436,482 S \* 1/2001 Melillo ..... D6/561  
D441,987 S \* 5/2001 Melillo ..... D6/445  
D520,264 S \* 5/2006 Mehmen et al. .... D6/441  
D546,582 S \* 7/2007 Moloney ..... D6/445  
D569,653 S \* 5/2008 Thompson ..... D6/445

\* cited by examiner

*Primary Examiner*—Caron Veynar

*Assistant Examiner*—Abraham Bahta

(57) **CLAIM**

We claim the ornamental design for the shoe cabinet, shown and described.

**DESCRIPTION**

FIG. 1 is a left isometric view of the shoe cabinet showing my new design;

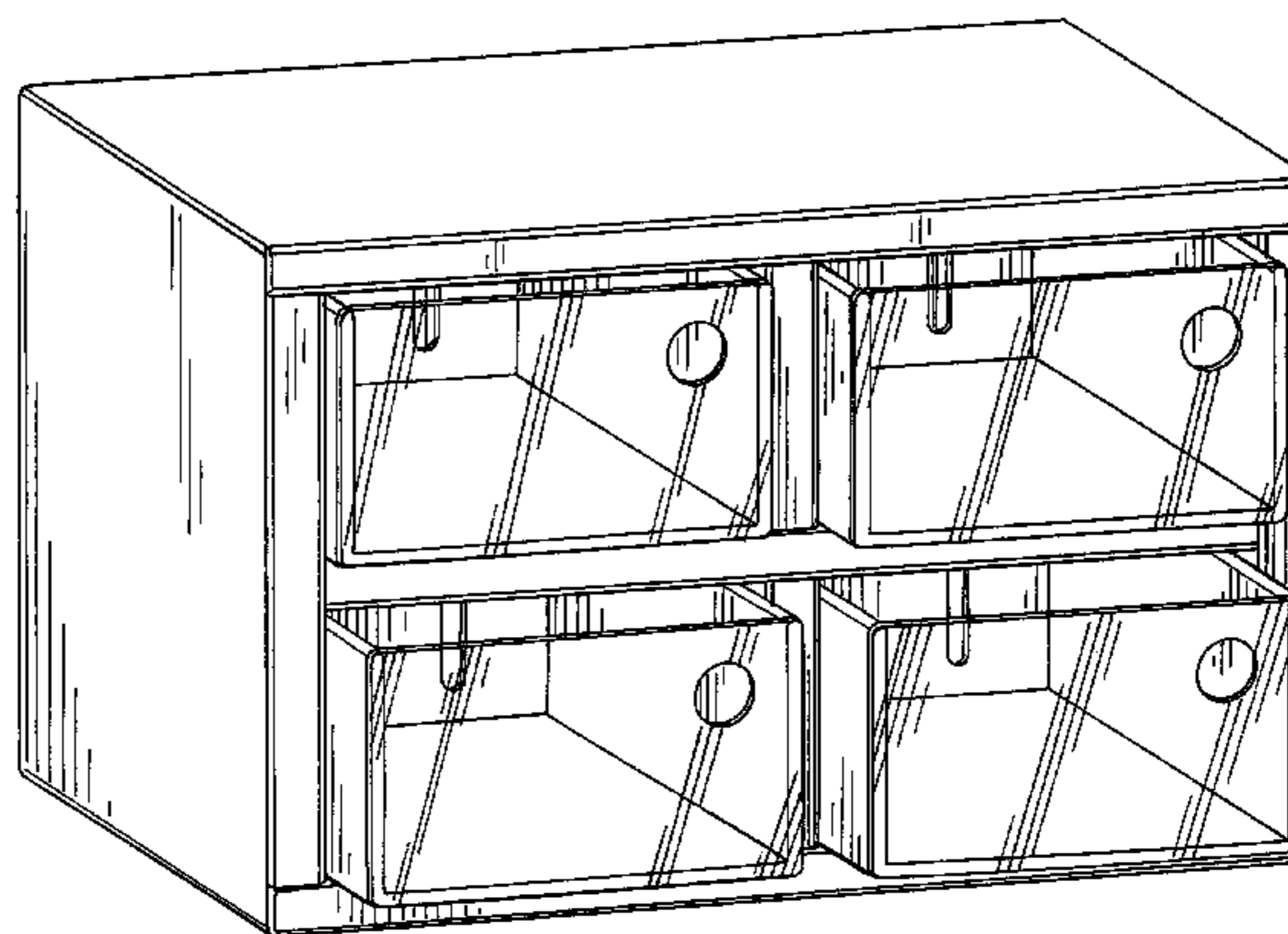
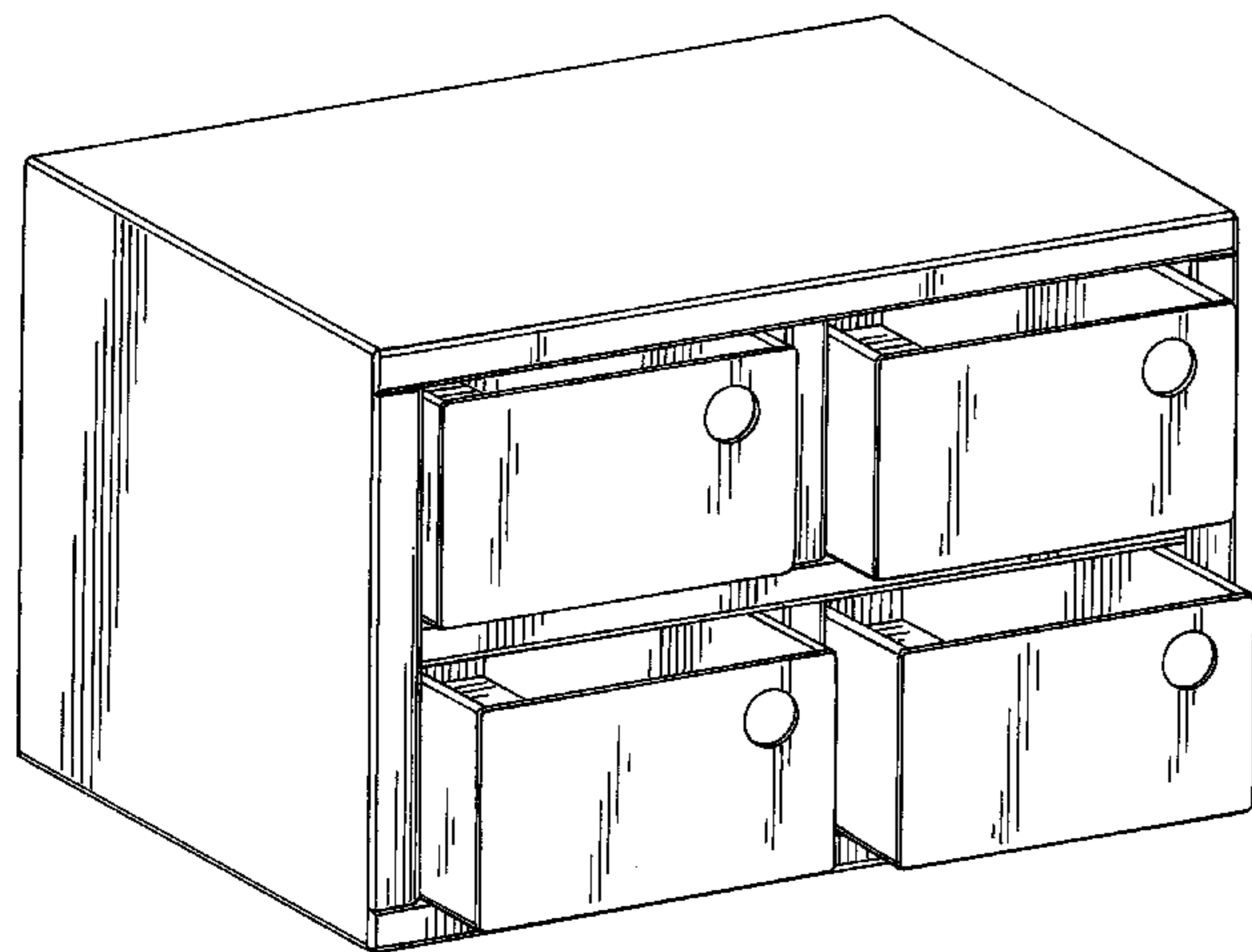
FIG. 2 is a right side rear isometric view thereof;

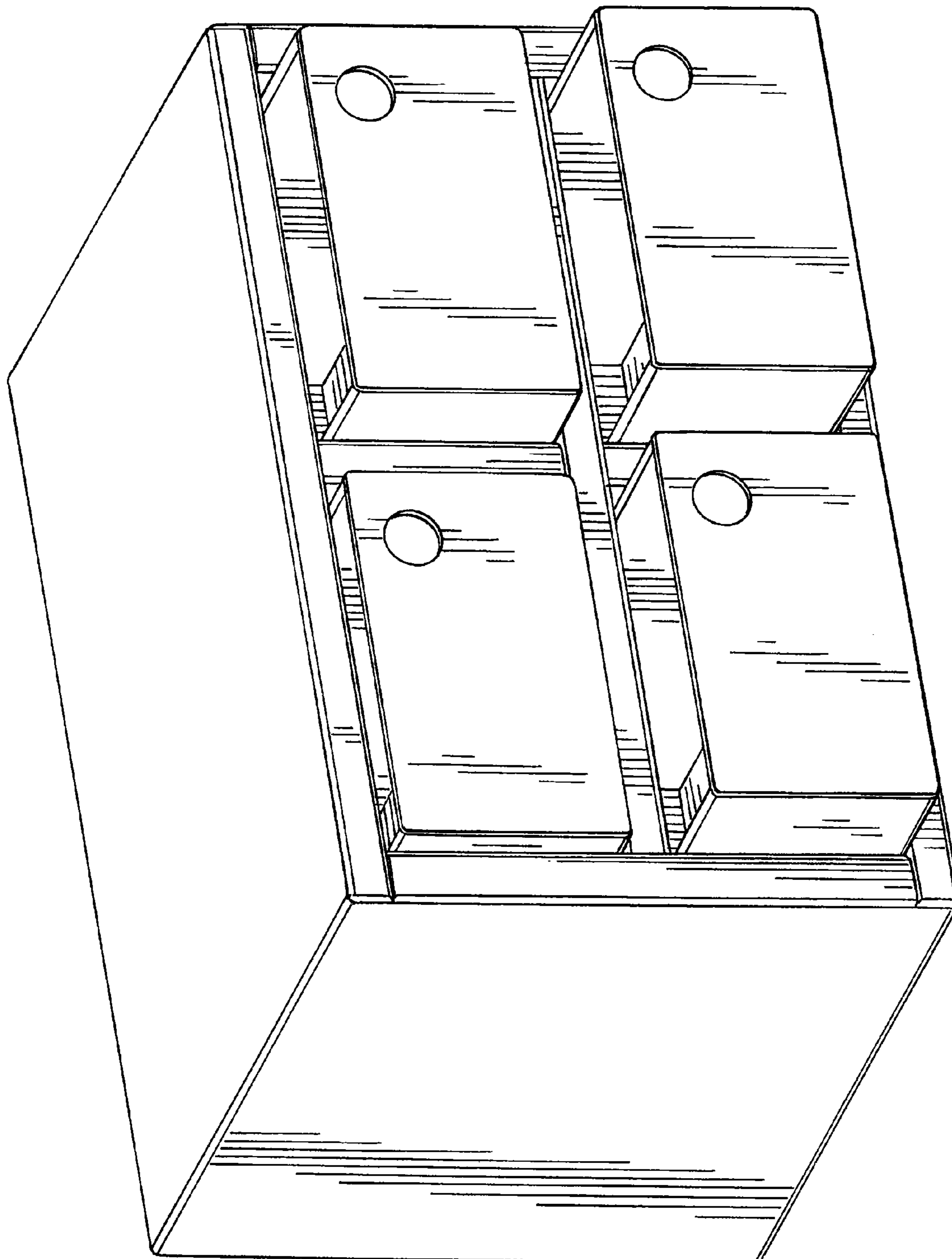
FIG. 3 is a front view thereof;

FIG. 4 is a rear view thereof; and,

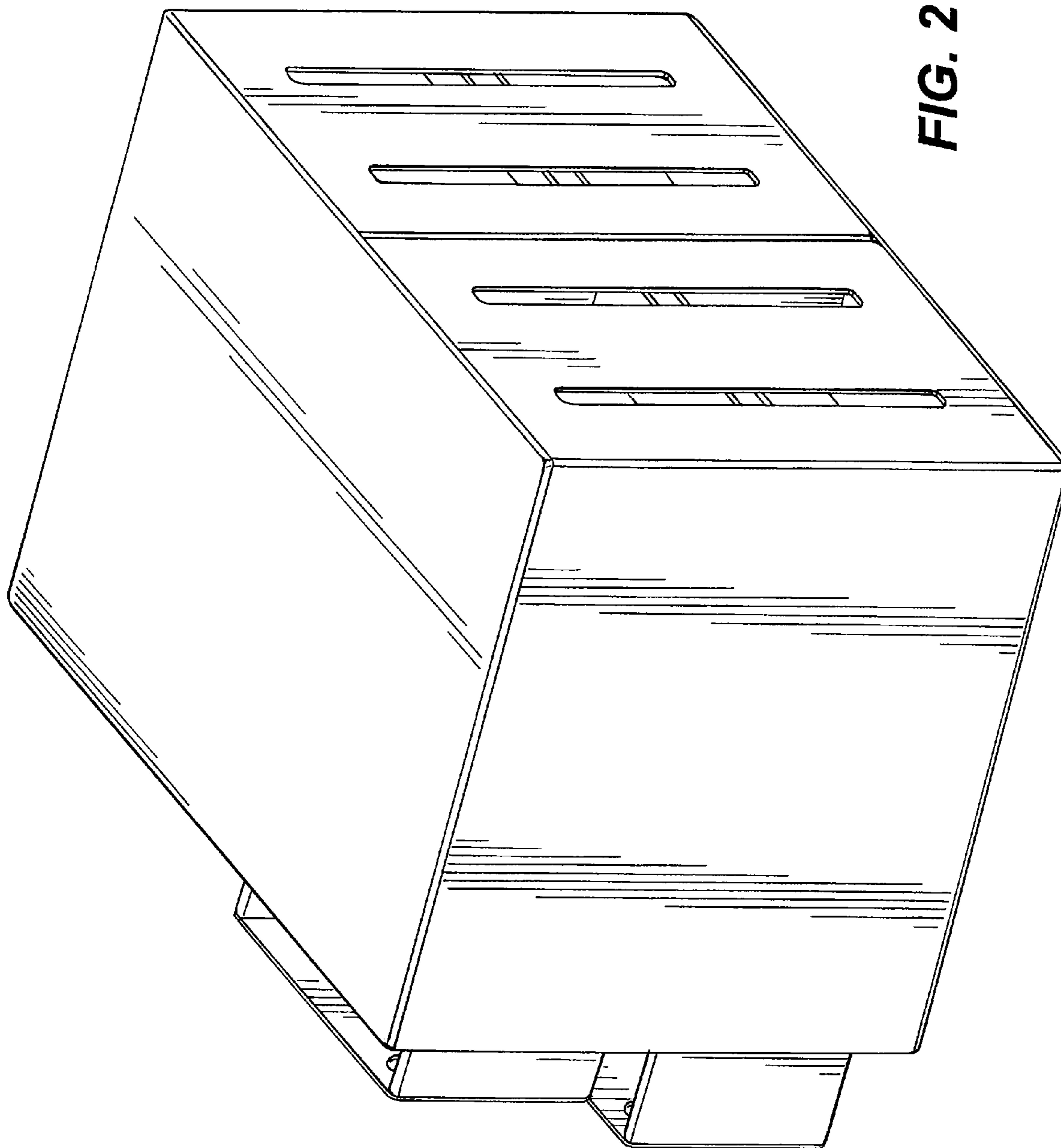
FIG. 5 is an isometric view of a second embodiment of the shoe cabinet with a transparent drawer face.

**1 Claim, 5 Drawing Sheets**

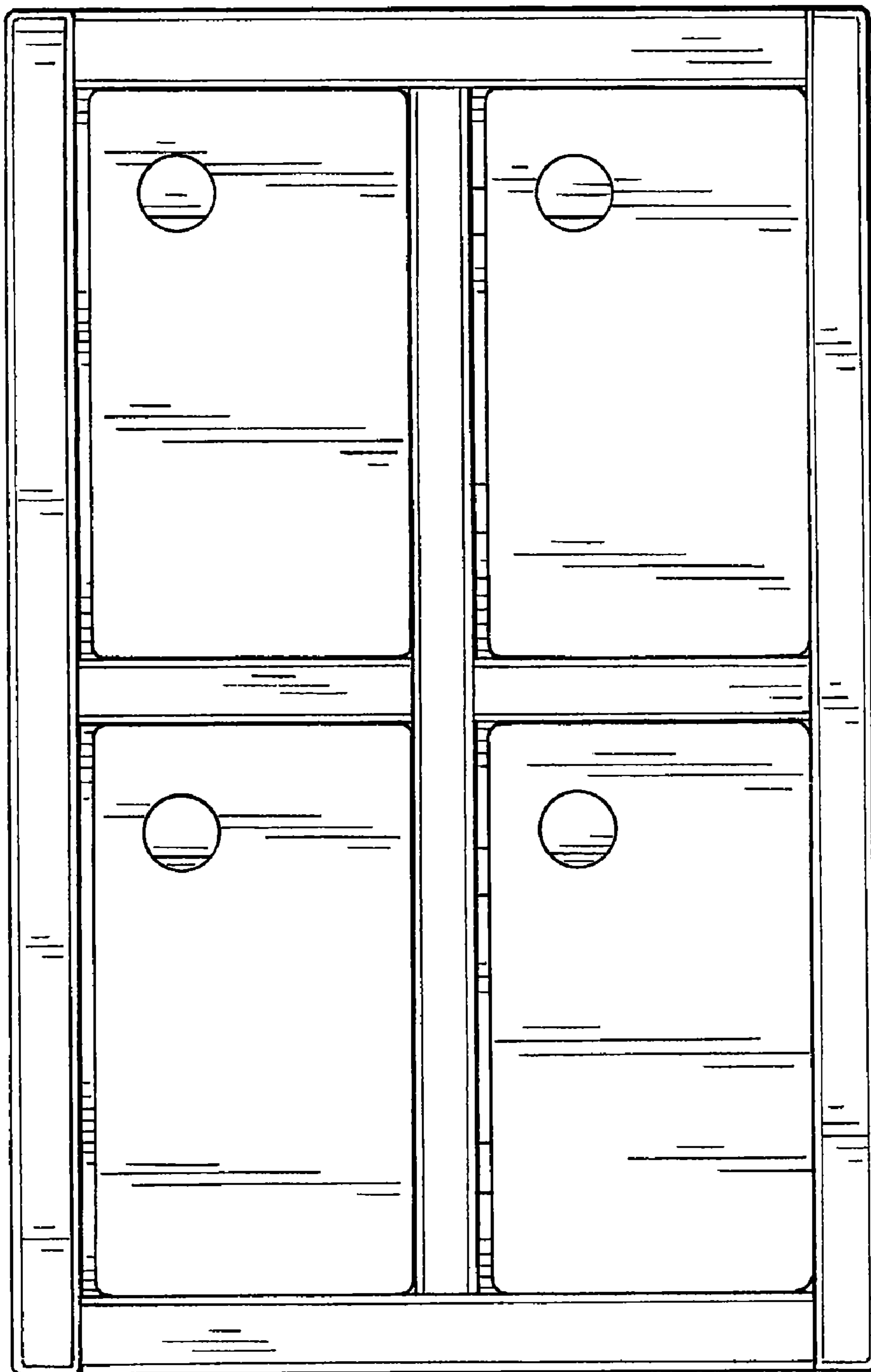




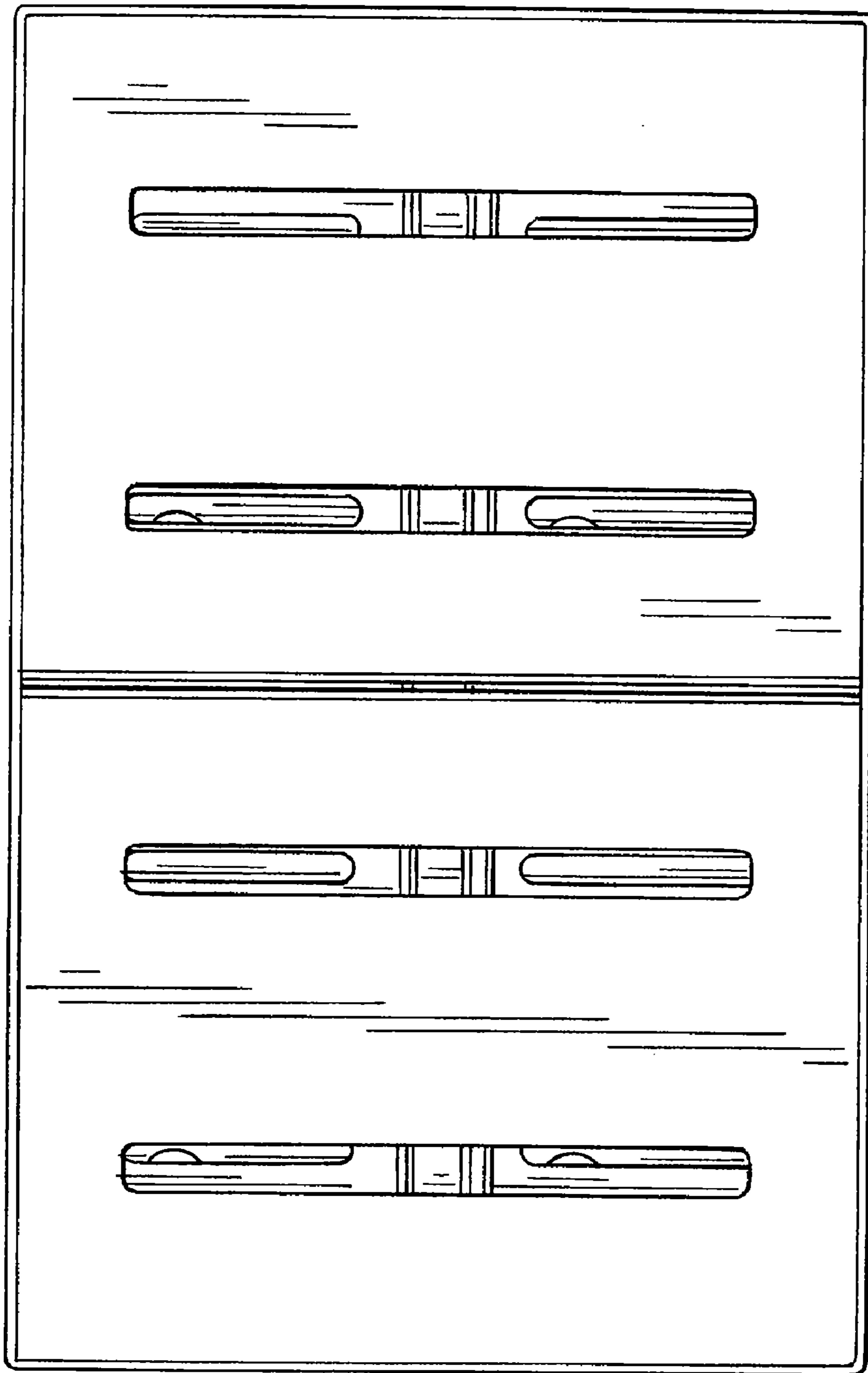
**FIG. 1**



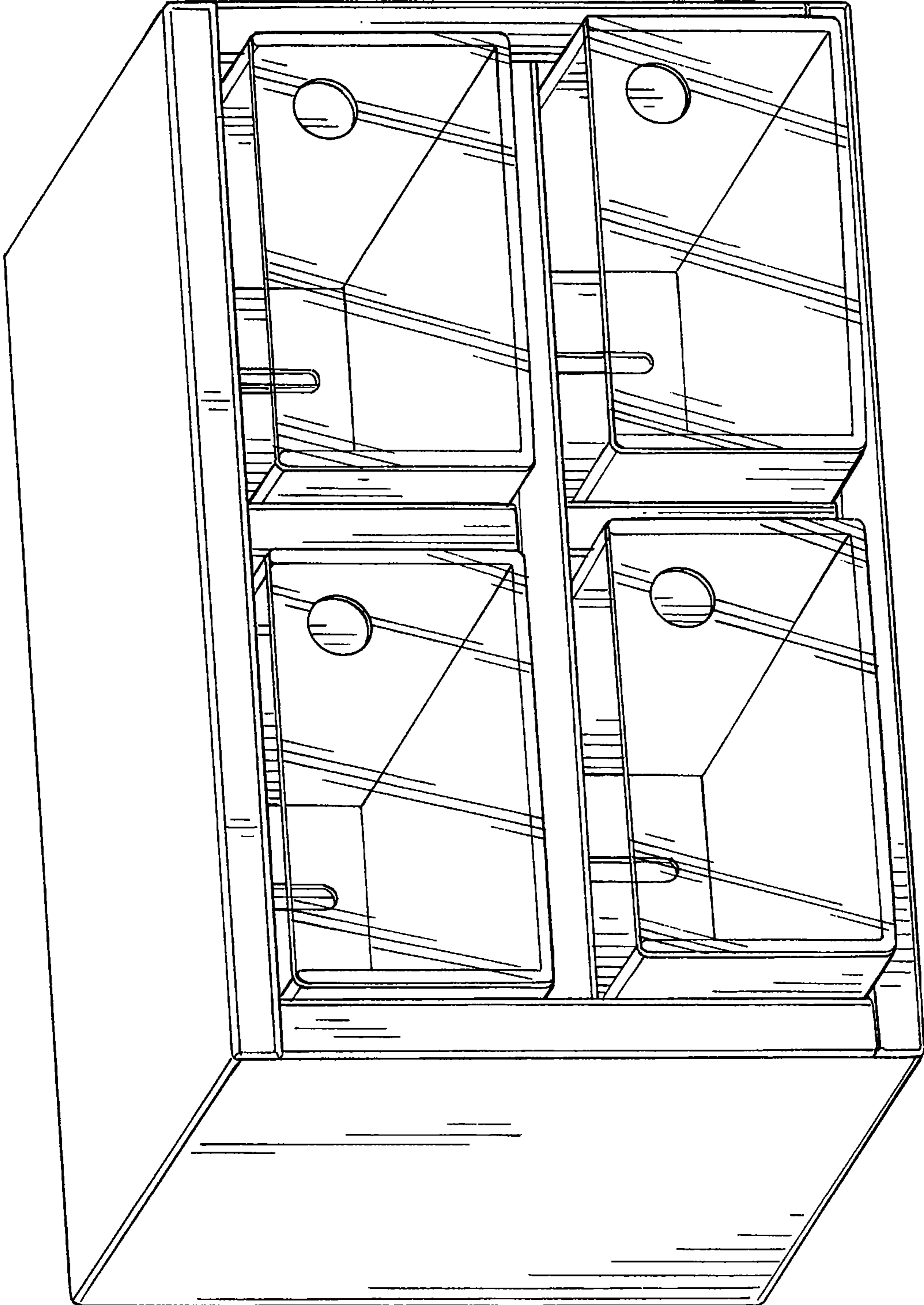
**FIG. 2**



**FIG. 3**



**FIG. 4**



**FIG. 5**