



US00D598215S

(12) **United States Design Patent**
Basten et al.

(10) **Patent No.:** **US D598,215 S**
(45) **Date of Patent:** **** Aug. 18, 2009**

(54) **FLUID BED MACHINE WITH STORAGE CABINET**

D254,973 S * 5/1980 Ahrenskou-Sorensen .. D15/147
D433,267 S * 11/2000 Werts D7/347
D583,619 S * 12/2008 Basten et al. D7/376

(75) Inventors: **Aaron K. Basten**, Solon, IA (US);
James G Spencer, Marion, IA (US)

* cited by examiner

(73) Assignee: **Vector Corporation**, Marion, IA (US)

Primary Examiner—Caron Veynar
Assistant Examiner—Ricky Pham

(**) Term: **14 Years**

(74) *Attorney, Agent, or Firm*—McKee, Voorhees & Sease, P.L.C.

(21) Appl. No.: **29/330,772**

(57) **CLAIM**

(22) Filed: **Jan. 14, 2009**

The ornamental design for a fluid bed machine with storage cabinet, as shown and described.

(51) **LOC (9) Cl.** **06-04**

(52) **U.S. Cl.** **D6/438**

(58) **Field of Classification Search** D6/397,
D6/425–427, 429, 432–448, 470, 474, 477–480,
D6/484, 492, 495, 561; D7/347, 376; D15/147;
D23/271–274, 284–286, 308; D24/185,
D24/216–230; D30/101; 312/107–108,
312/114, 117, 203–204, 224, 227, 238, 297,
312/330.1, 334.36, 348.3

DESCRIPTION

See application file for complete search history.

FIG. 1 is a perspective view of the fluid bed machine with a storage cabinet according to the present invention.

FIG. 2 is a front elevation view of the machine.

FIG. 3 is a left side elevation view of the machine.

FIG. 4 is a right side elevation view of the machine; and,

FIG. 5 is a top plan view of the machine.

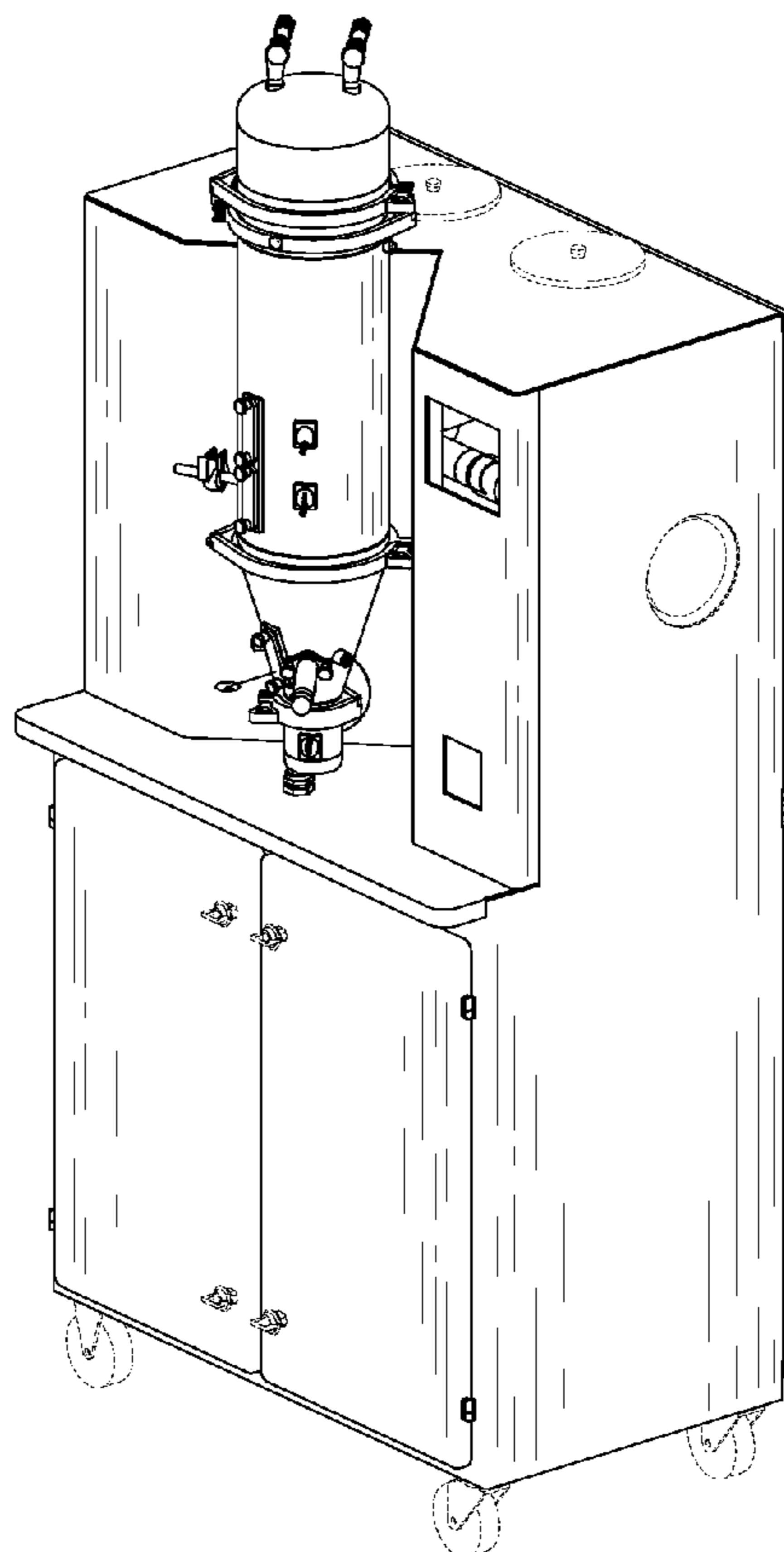
(56) **References Cited**

Applicant makes no claim to the bottom view of the machine or to the structure shown in broken lines in the drawings.

U.S. PATENT DOCUMENTS

D201,964 S * 8/1965 Carlson D6/438

1 Claim, 5 Drawing Sheets



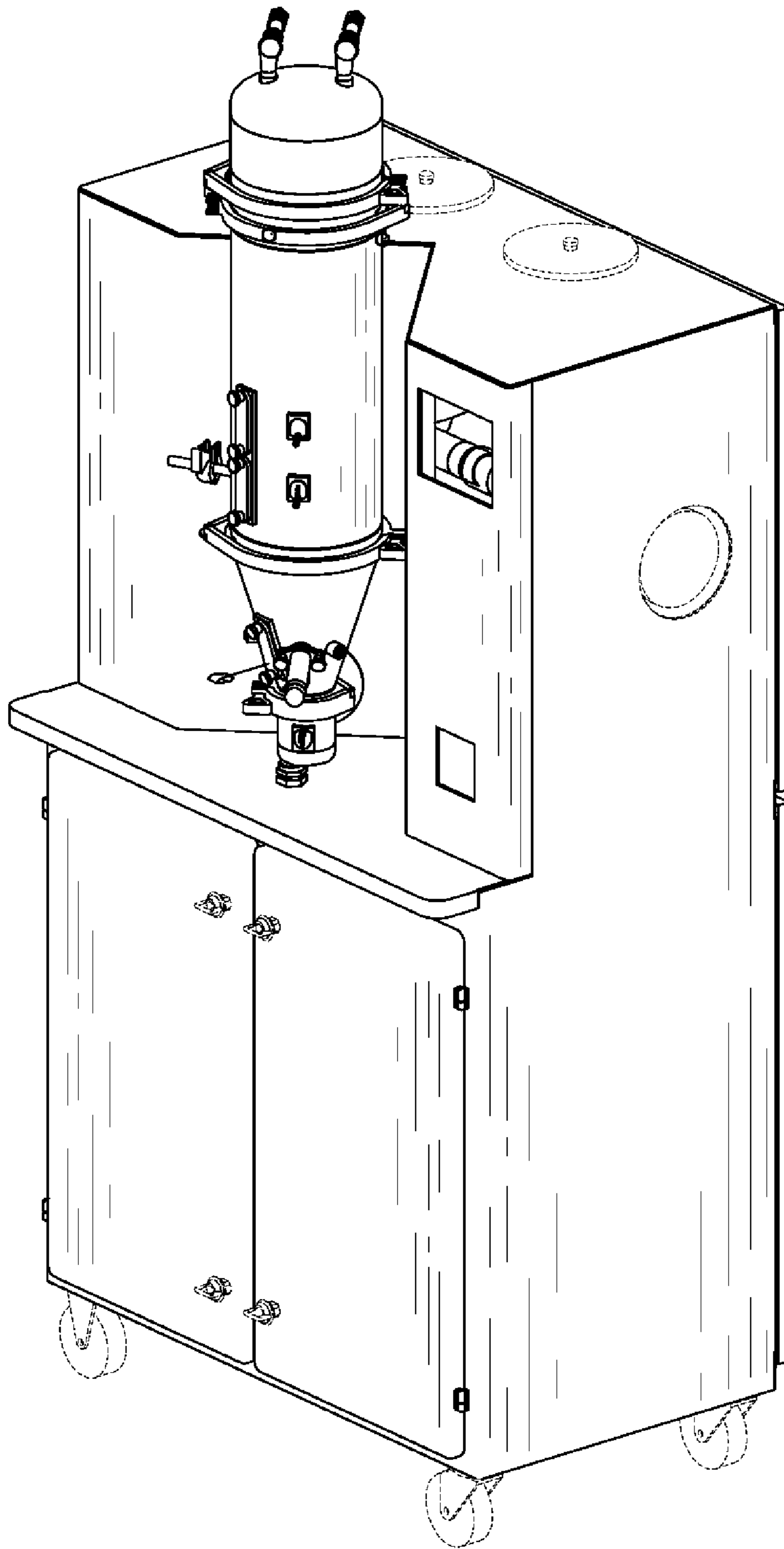


FIG. 1

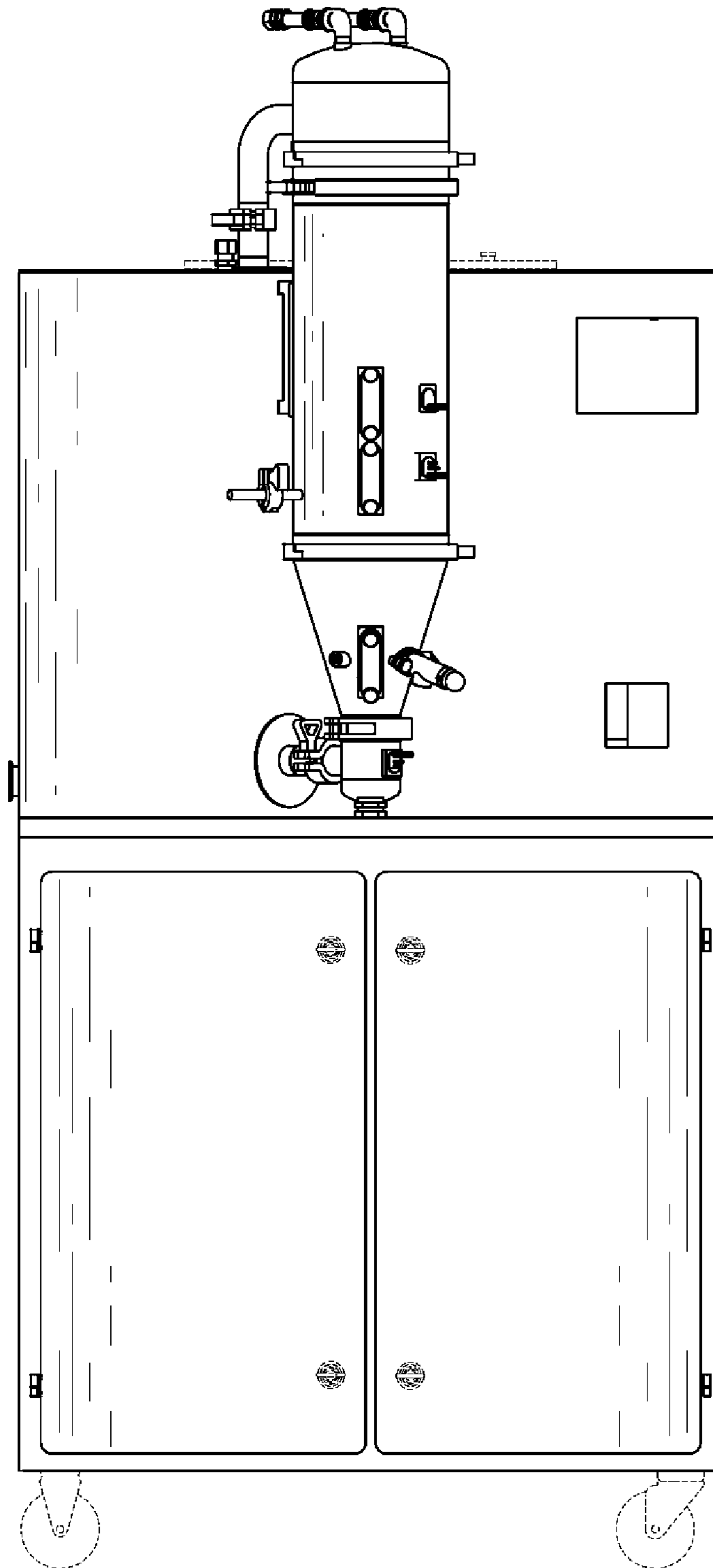


FIG. 2

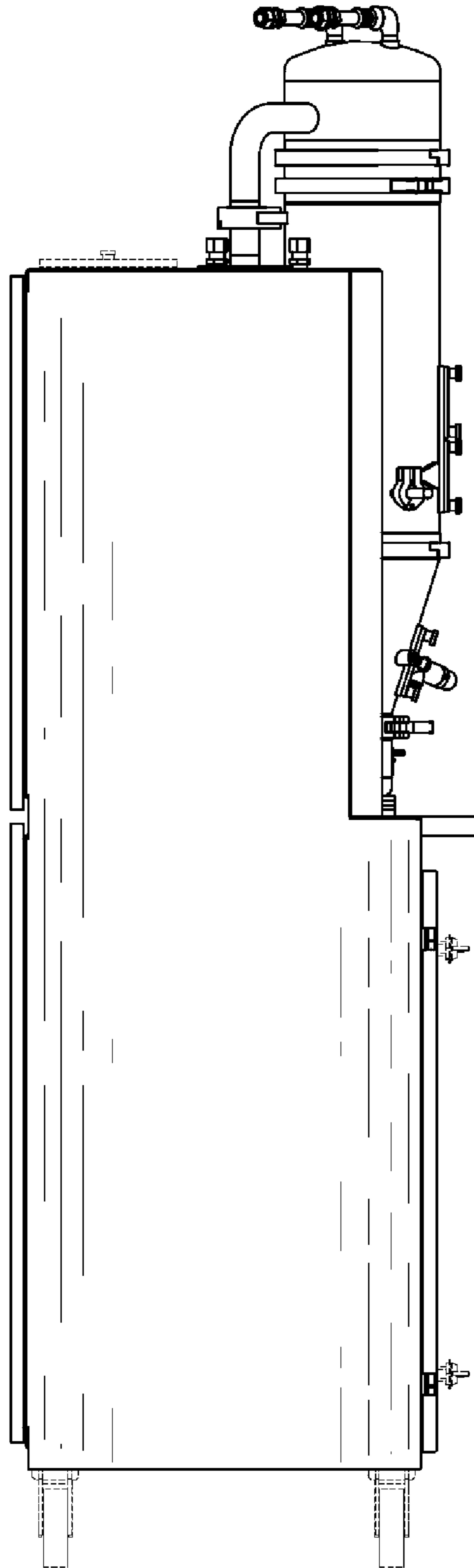


FIG. 3

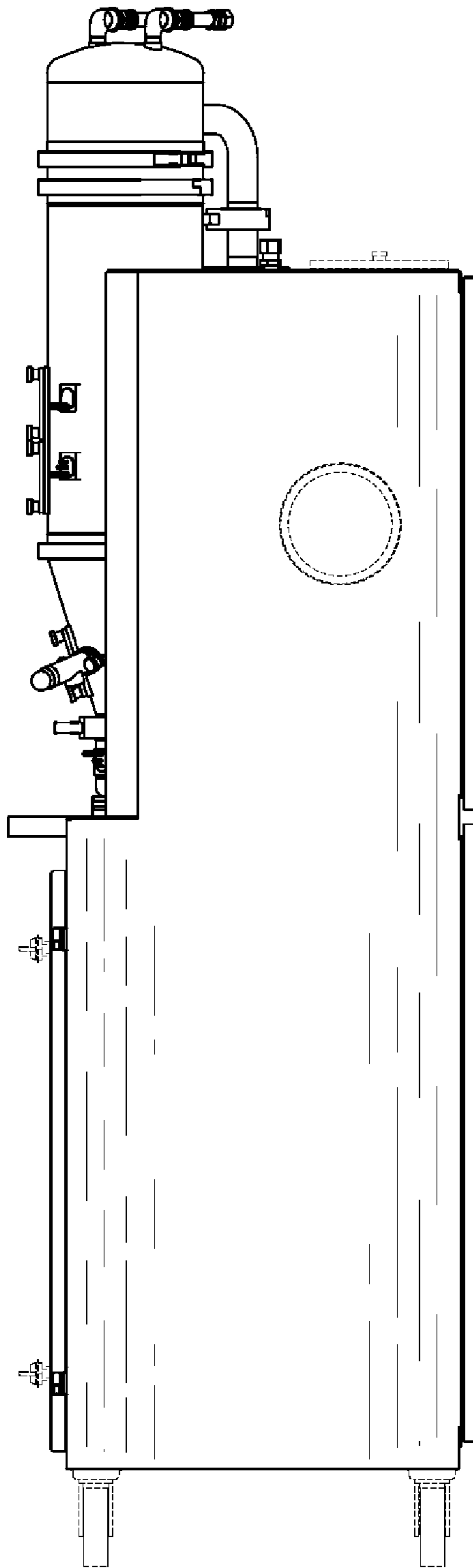


FIG. 4

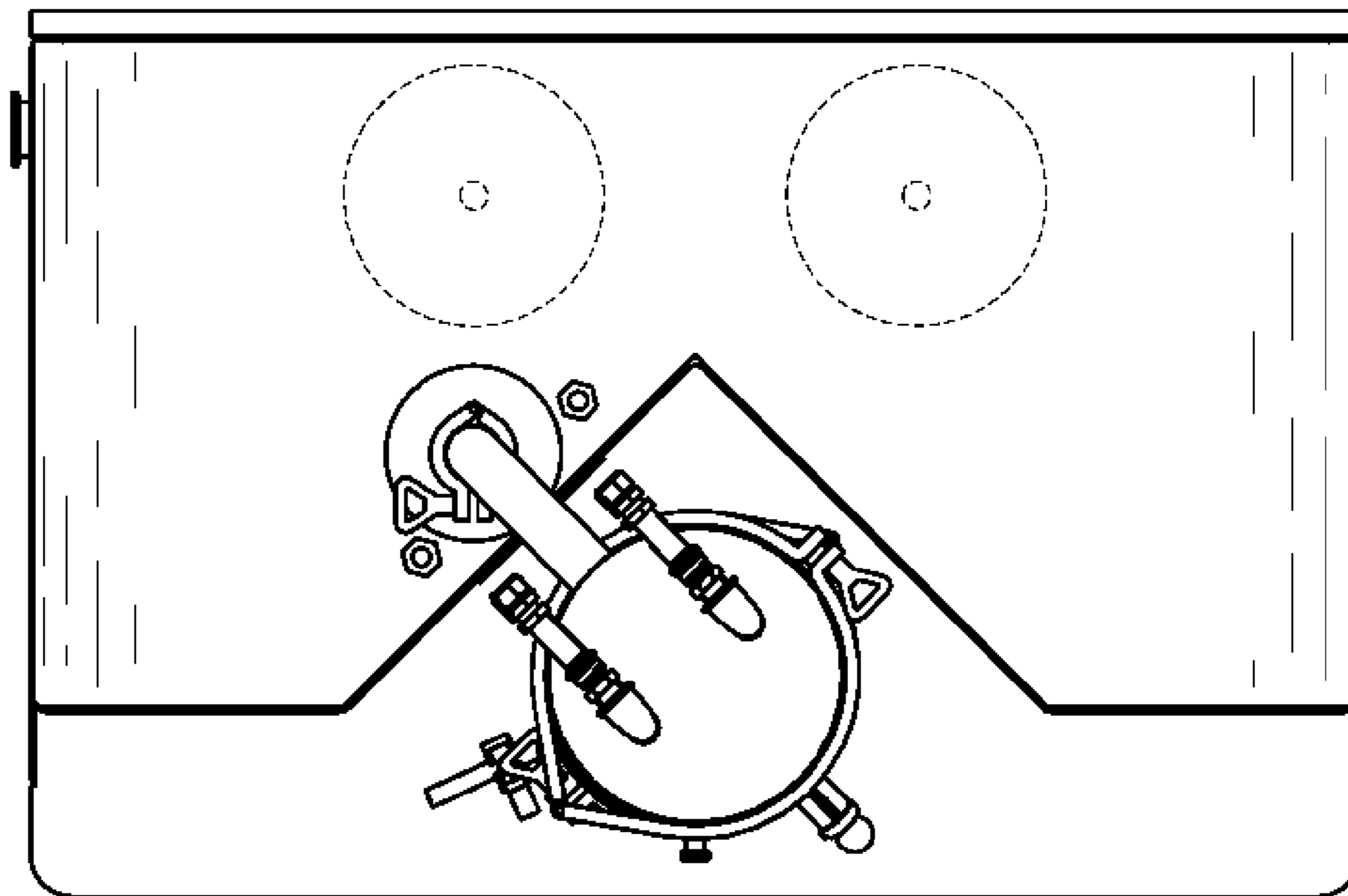


FIG. 5