



US00D598214S

(12) **United States Design Patent**
Almand

(10) **Patent No.:** **US D598,214 S**

(45) **Date of Patent:** **** Aug. 18, 2009**

(54) **INFORMATION DISPLAY HOLDER**

(76) Inventor: **Joseph Max Almand**, 250 Elm St., #22,
San Mateo, CA (US) 94401

(**) Term: **14 Years**

(21) Appl. No.: **29/321,385**

(22) Filed: **Jul. 15, 2008**

(51) **LOC (9) Cl.** **06-04**

(52) **U.S. Cl.** **D6/432**

(58) **Field of Classification Search** D3/303;
D6/336, 396-397, 432-436, 441, 445-446,
D6/448, 509-513, 634; D12/193, 400; D19/26,
D19/86-90; D20/11-17, 22, 27, 40-43,
D20/99; 40/124.01, 200, 206-210, 591-593,
40/661; 131/235.1; 206/425, 723, 775; 211/72;
224/482; 229/67.3, 68.1; 248/205.3

See application file for complete search history.

(56) **References Cited**

U.S. PATENT DOCUMENTS

D59,508	S	*	10/1921	Paulson	D19/90
1,746,634	A	*	2/1930	Breneman	131/235.1
2,701,089	A	*	2/1955	Fischer	206/775
2,755,576	A	*	7/1956	Golden	248/205.3
3,073,508	A	*	1/1963	Hiersteiner	229/67.3
4,746,009	A	*	5/1988	Liberman	206/723
D319,344	S	*	8/1991	Turley	D6/634
5,267,643	A		12/1993	Scribner		
D365,231	S	*	12/1995	Hopper	D6/513
5,595,300	A		1/1997	Paik et al.		
5,645,203	A	*	7/1997	Tappenden	224/482
D434,083	S	*	11/2000	Vance	D20/42
6,206,225	B1		3/2001	Fox		
6,347,471	B1		2/2002	Mirza		
D471,014	S	*	3/2003	Shapiro	D3/303
D485,312	S	*	1/2004	Gaska et al.	D20/41
6,820,799	B2	*	11/2004	Makofsky et al.	229/68.1
6,945,399	B1	*	9/2005	Ong	206/425
6,968,949	B2	*	11/2005	Zivic et al.	206/425
6,968,959	B1		11/2005	Garvin		
D518,105	S	*	3/2006	Hough et al.	D19/86
7,147,142	B1	*	12/2006	Chang	229/67.3
7,188,738	B2	*	3/2007	Stafford et al.	211/72
D543,591	S	*	5/2007	Simasko	D20/43

D554,704	S	*	11/2007	Krepak	D19/86
D569,426	S	*	5/2008	Stockstill et al.	D19/26
2004/0079015	A1	*	4/2004	Tuttle	40/661
2005/0284876	A1		12/2005	Haas et al.		
2007/0074436	A1		4/2007	Steed		
2007/0107287	A1		5/2007	Huang		

* cited by examiner

Primary Examiner—Caron Veynar

Assistant Examiner—Ricky Pham

(74) *Attorney, Agent, or Firm*—James F. Hann; Haynes Beffel & Wolfeld LLP

(57) **CLAIM**

The ornamental design for an information display holder, as shown and described.

DESCRIPTION

The information display holder is typically used to store and display informational flyers relating to the sale of a vehicle.

FIG. 1 is a perspective view of an information display holder showing my new design with the front flap shown extending outwardly and the rear flap shown extending downwardly, and with a portion of a window of a vehicle shown in broken lines;

FIG. 2 is a top plan view thereof with both of the front and rear flaps shown extending outwardly;

FIG. 3 is a front elevational thereof;

FIG. 4 is a right-sided elevational view thereof;

FIG. 5 is a left side elevation will view thereof;

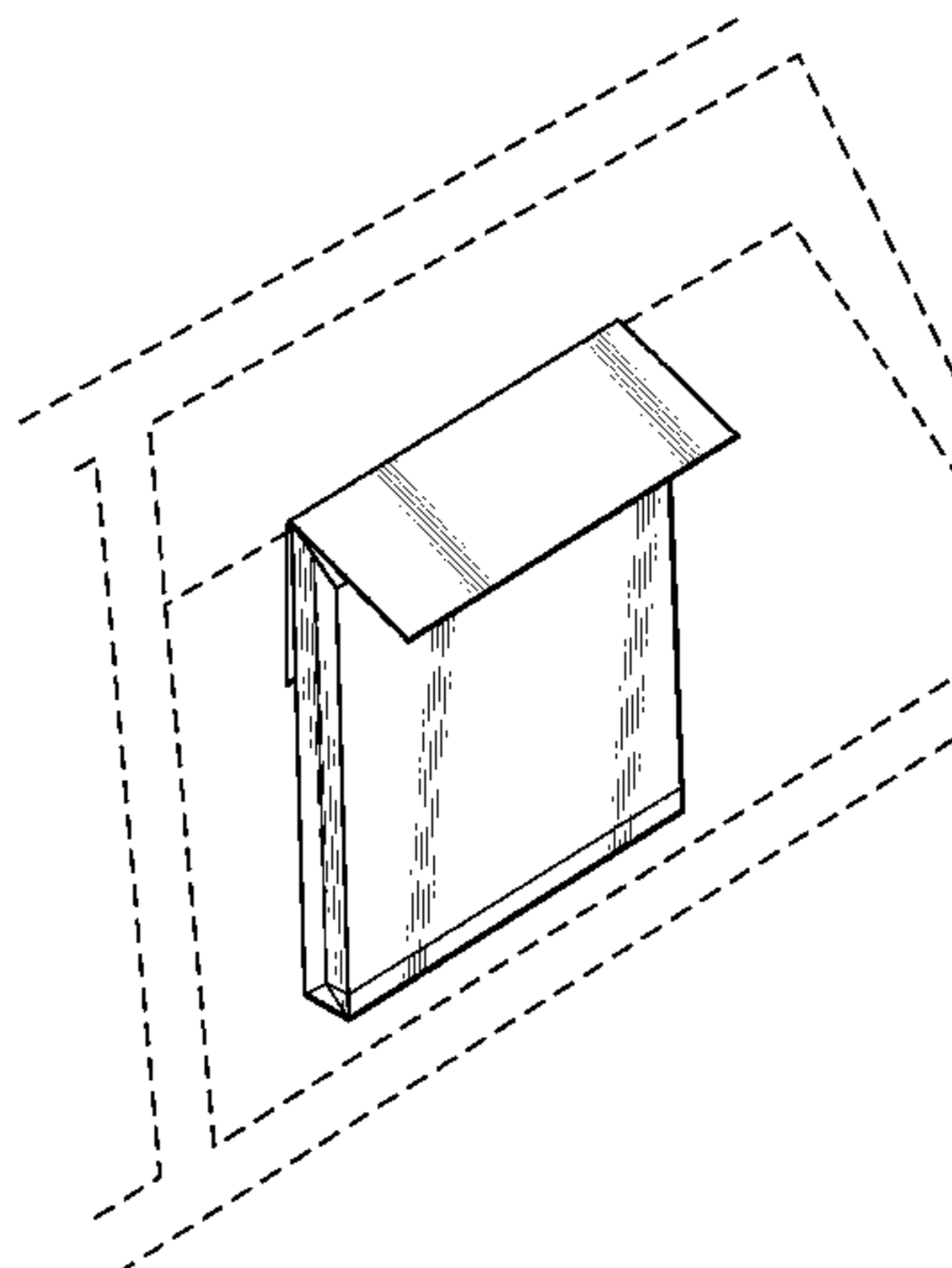
FIG. 6 is a bottom plan view thereof;

FIG. 7 is a rear elevational view thereof; and,

FIG. 8 is a perspective view of an information display holder showing my new design similar to that of FIG. 1 with the front flap lifted to show the shape of the upper edge of the front panel.

The broken line showing of a portion of a window of a vehicle in FIG. 1 is for environmental purposes only and forms no part of the claimed design.

1 Claim, 3 Drawing Sheets



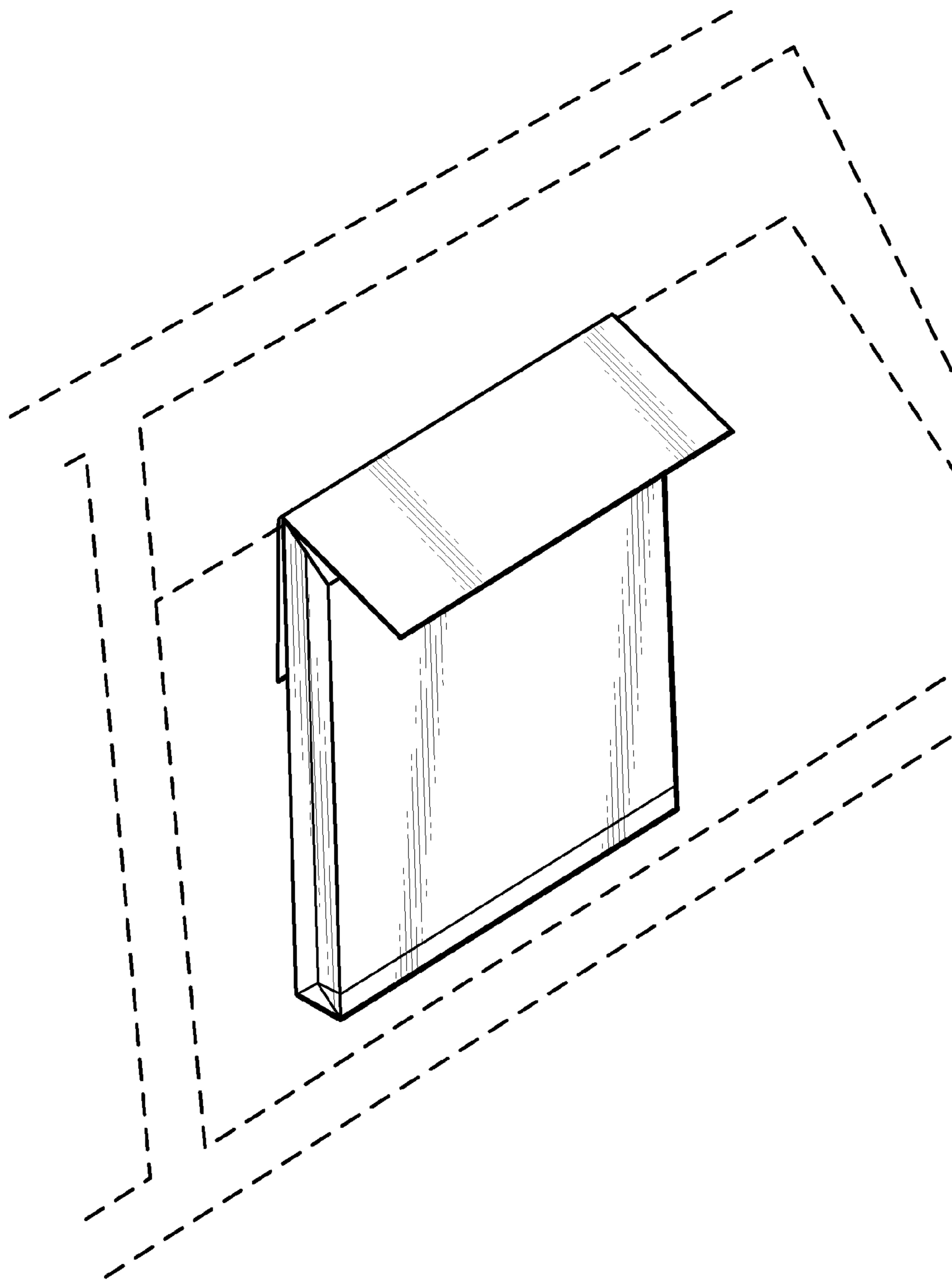


FIG. 1

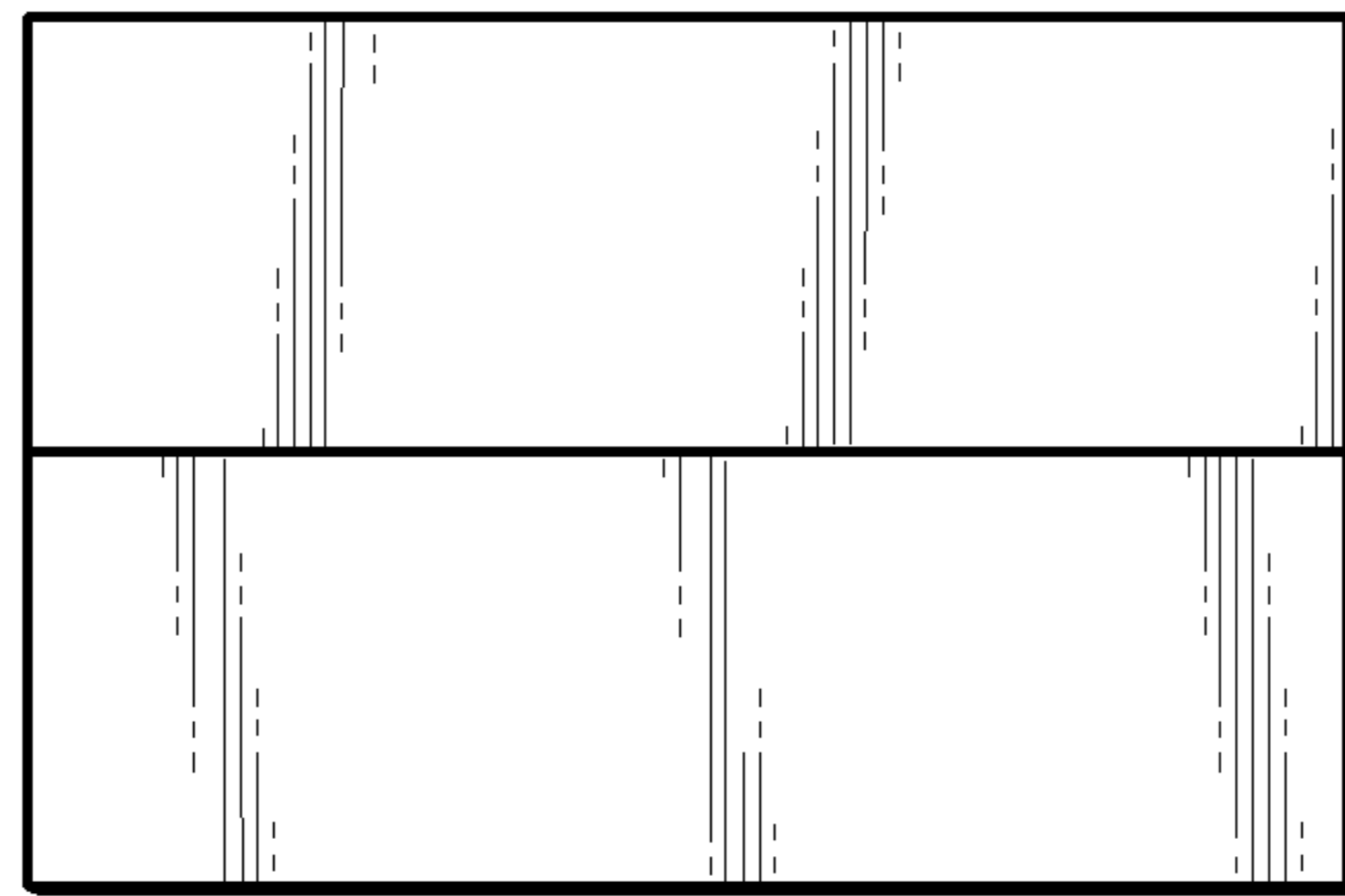


FIG. 2

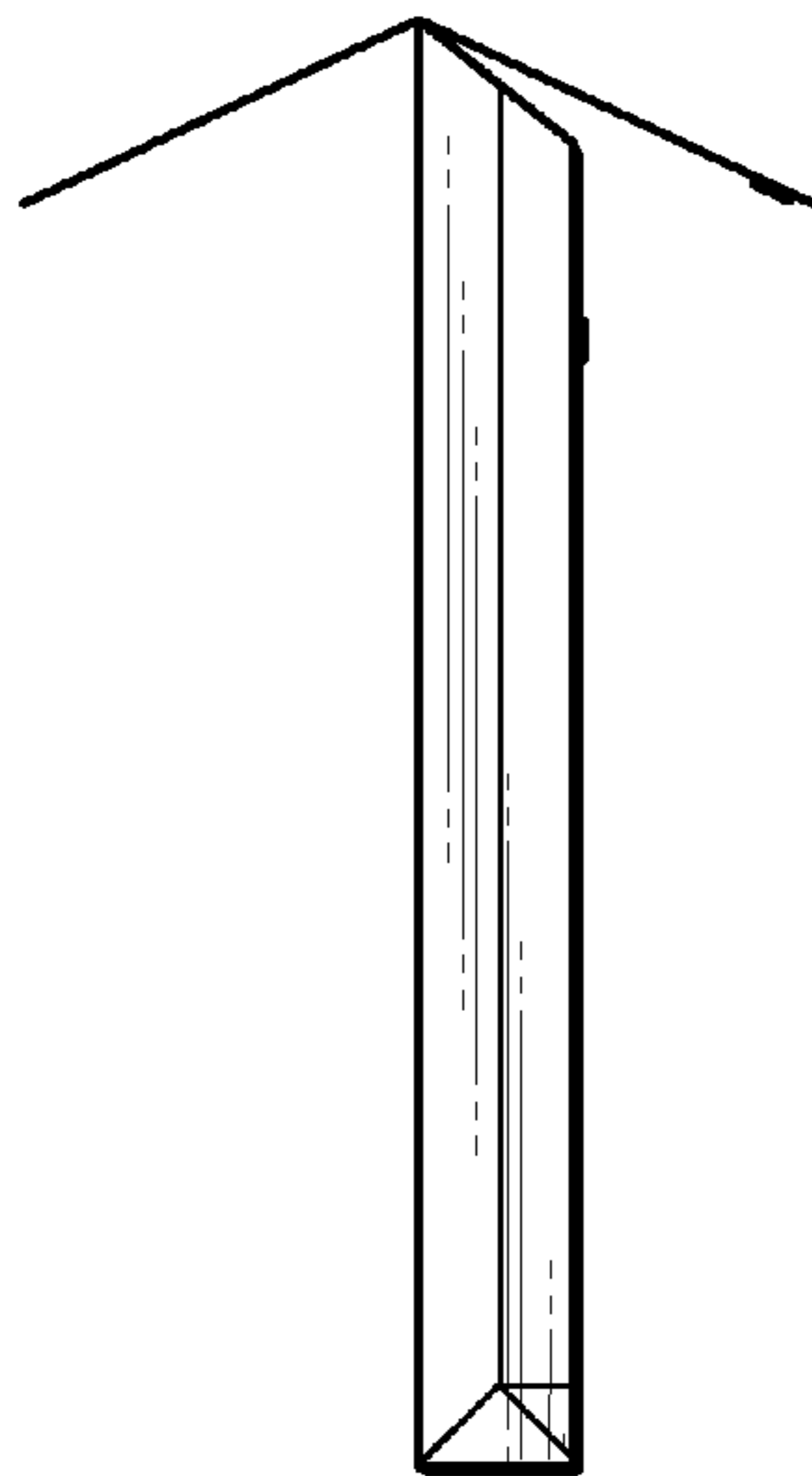


FIG. 5

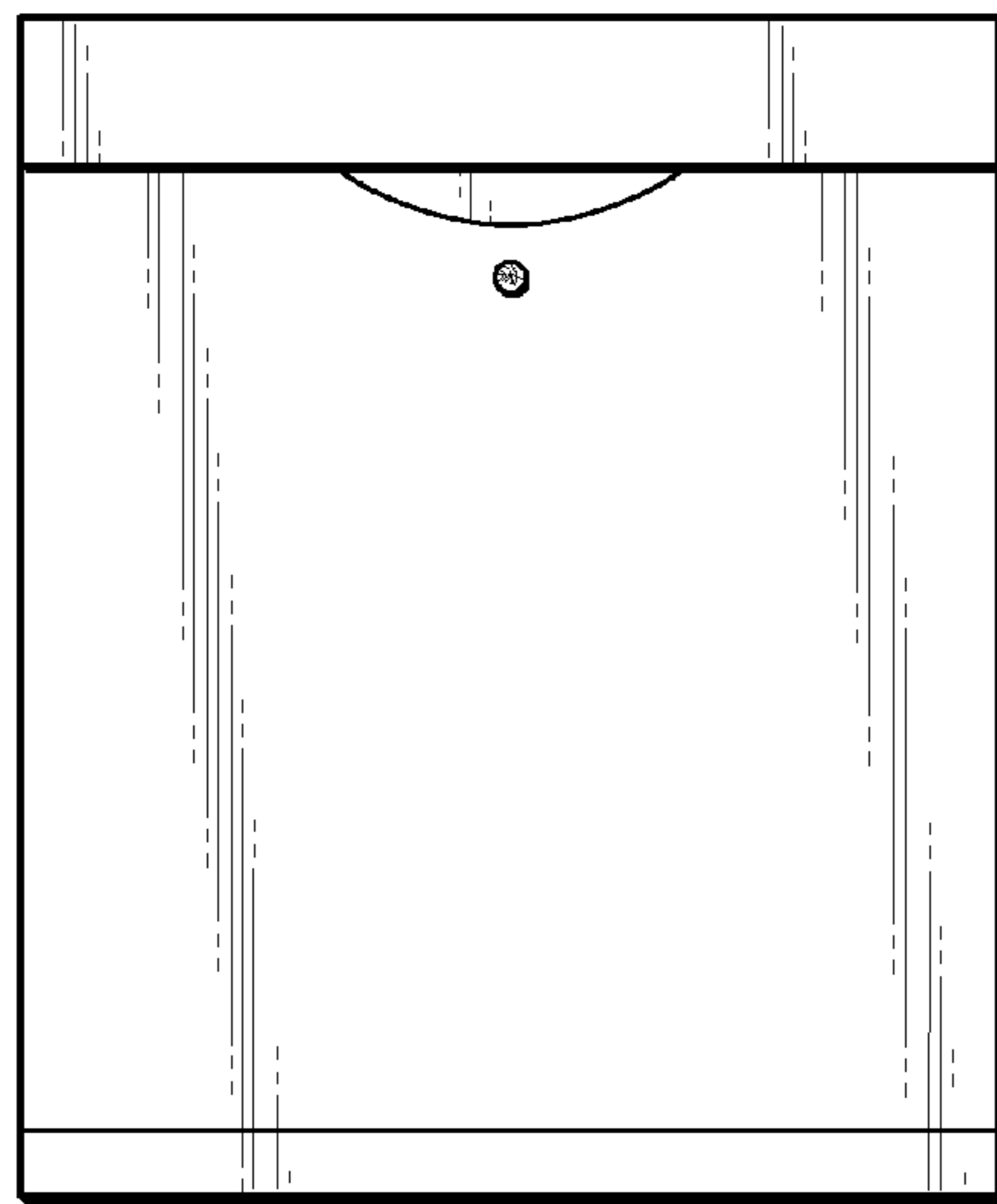


FIG. 3

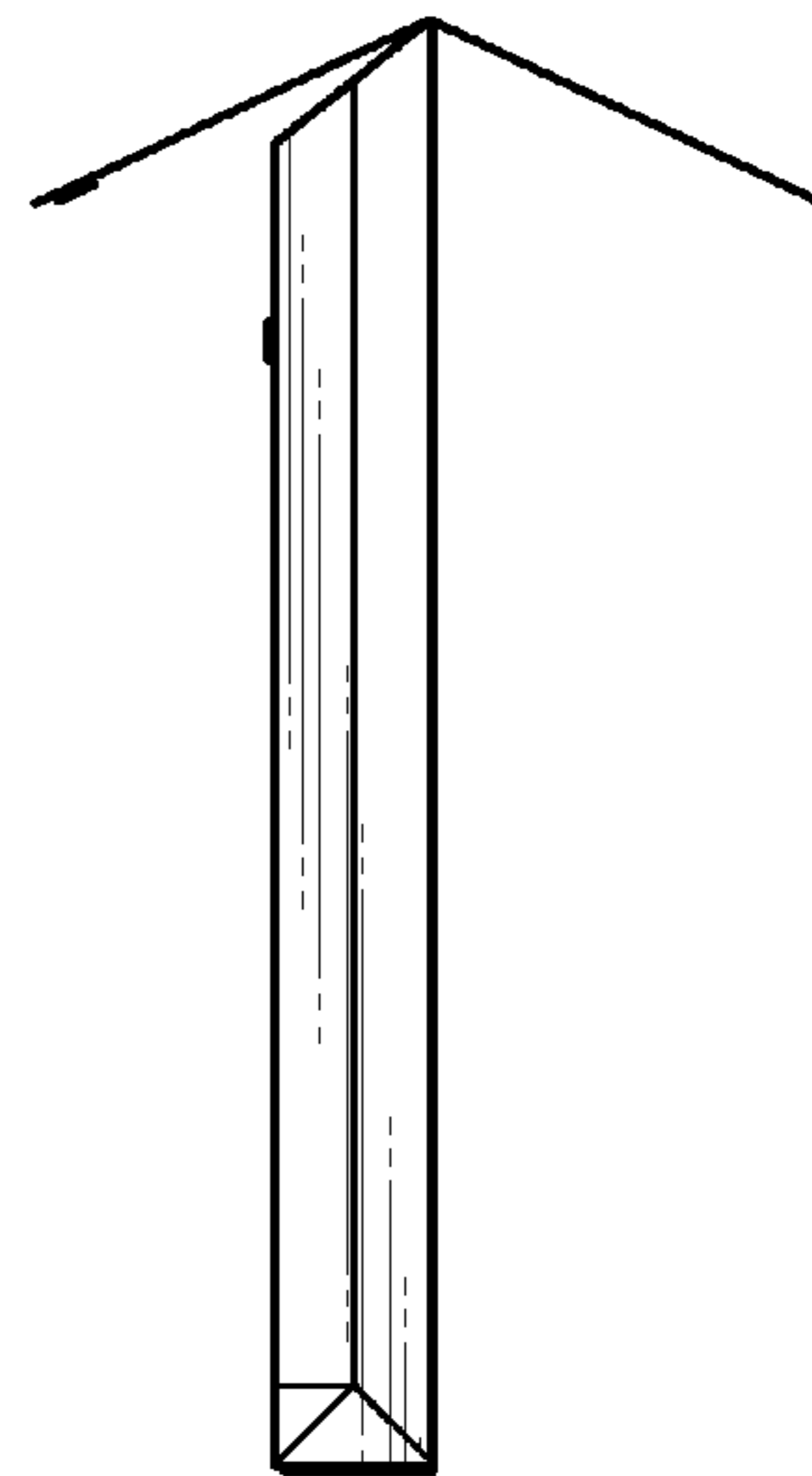


FIG. 4

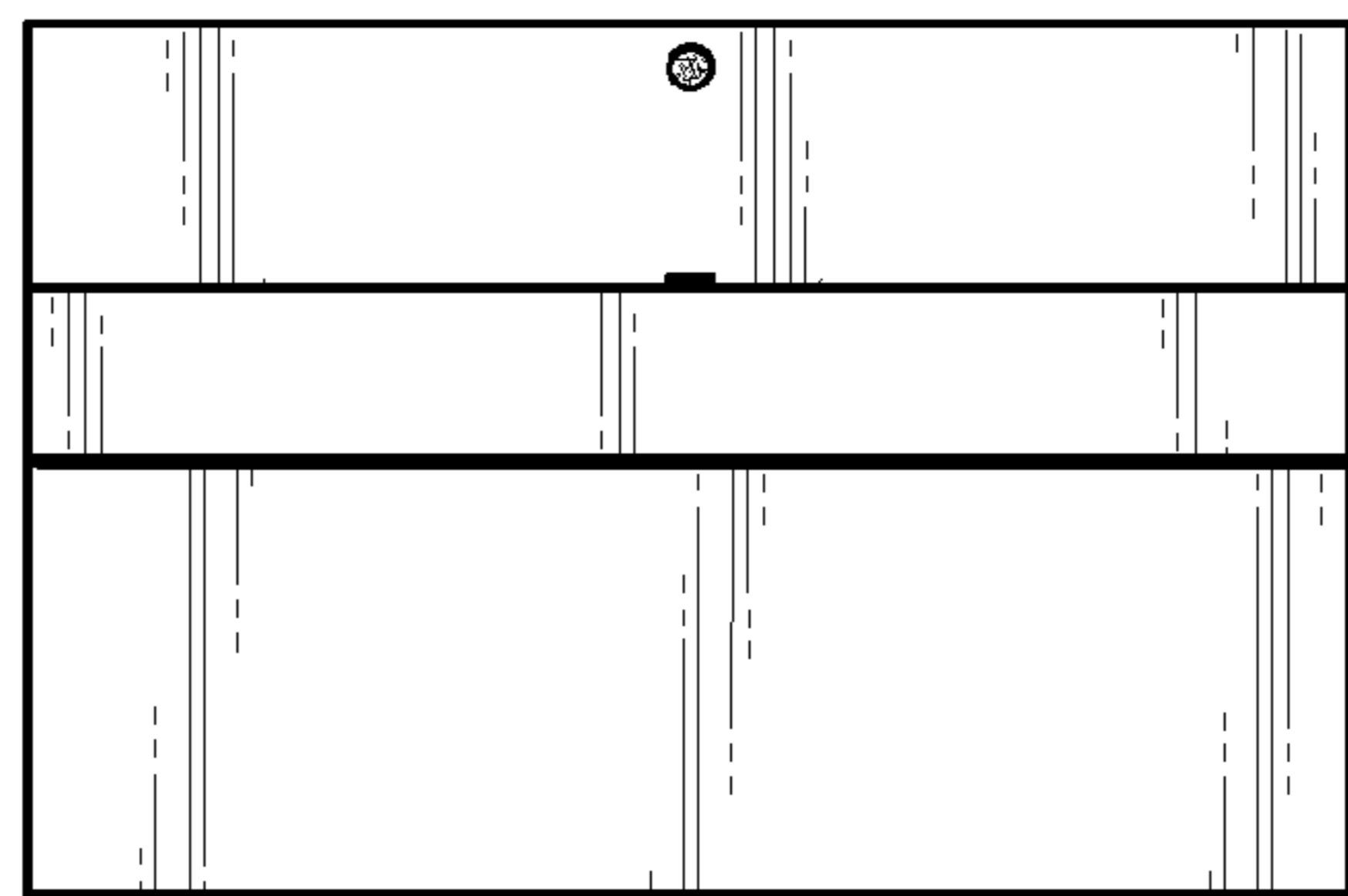


FIG. 6

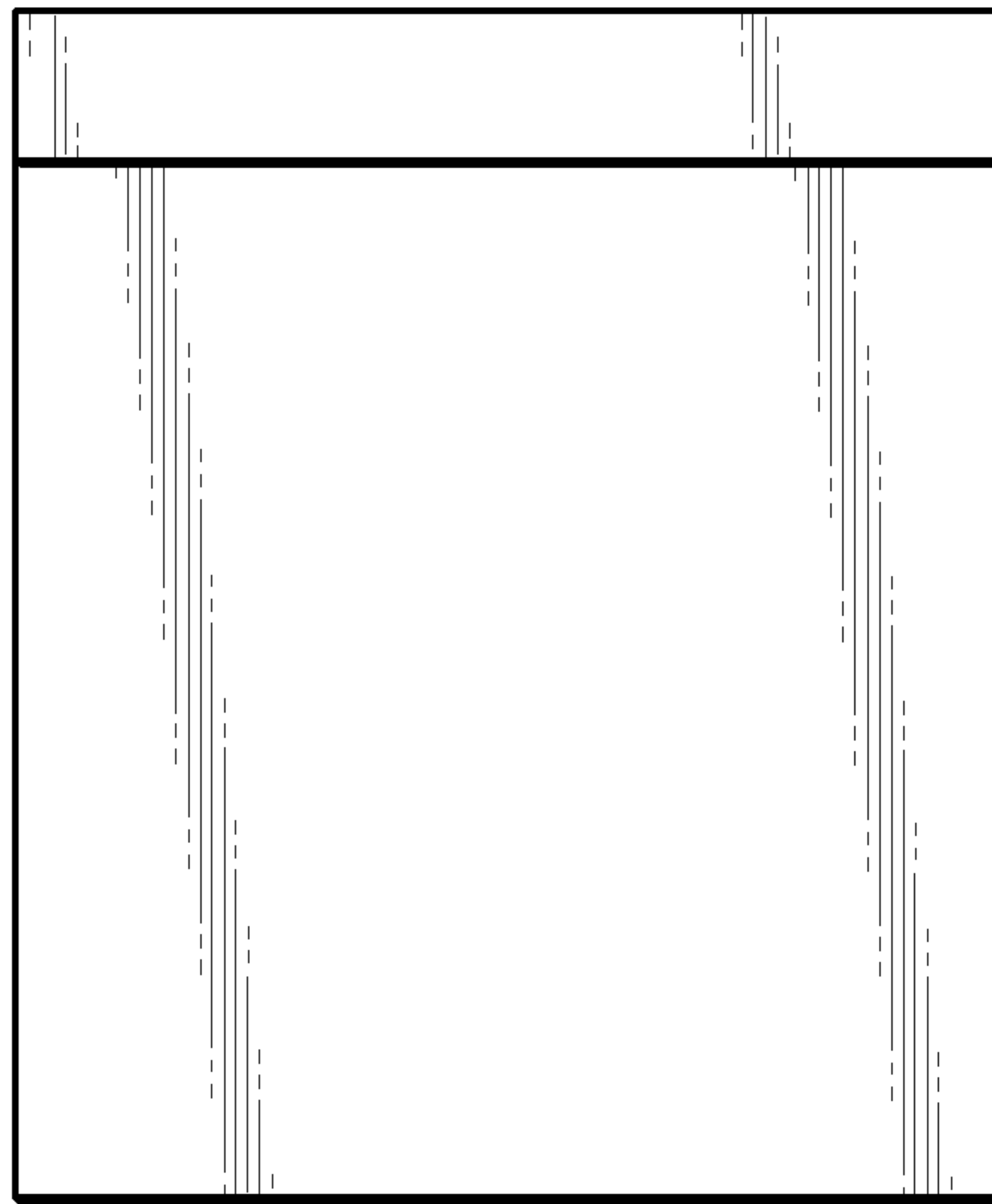


FIG. 7

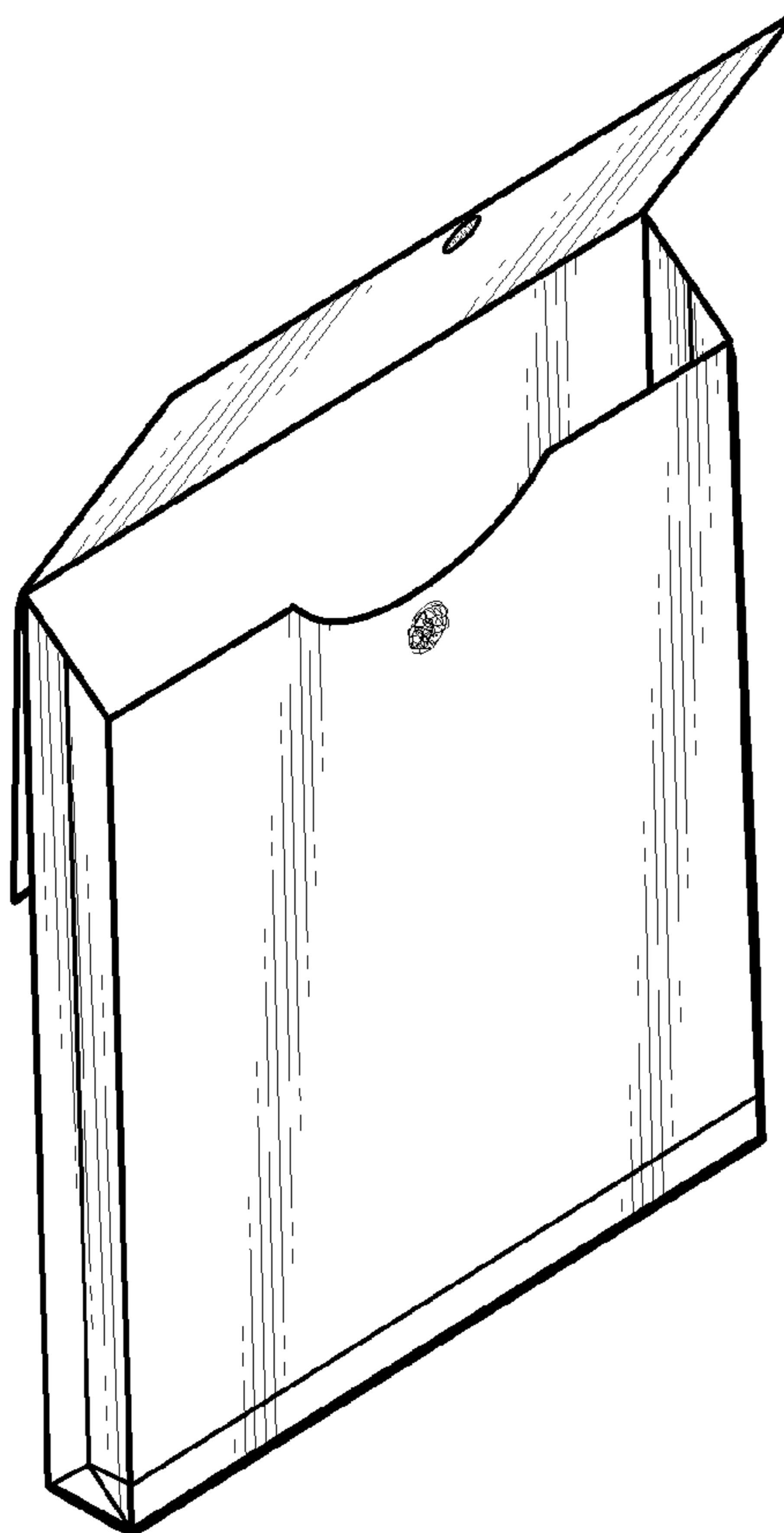


FIG. 8