



US00D598213S

(12) **United States Design Patent**  
**Frederking**

(10) **Patent No.:** **US D598,213 S**

(45) **Date of Patent:** **\*\* Aug. 18, 2009**

(54) **TABLE**

D511,913 S \* 11/2005 Kearl et al. .... D6/487

(75) Inventor: **Nils Frederking**, Berlin (DE)

\* cited by examiner

(73) Assignee: **Roset S.A.** (FR)

*Primary Examiner*—Janice E Seeger

(74) *Attorney, Agent, or Firm*—Cantor Colburn LLP

(\*\*) Term: **14 Years**

(21) Appl. No.: **29/321,238**

(57) **CLAIM**

(22) Filed: **Jul. 14, 2008**

I claim, the ornamental design for a table, as shown and described.

(30) **Foreign Application Priority Data**

**DESCRIPTION**

Jan. 14, 2008 (FR) ..... 000 857 511-0003

FIG. 1 is a front perspective view of a table showing my new design;

(51) **LOC (9) Cl.** ..... **06-03**

(52) **U.S. Cl.** ..... **D6/429**; D6/480; D6/487

FIG. 2 is a front and side perspective view thereof;

(58) **Field of Classification Search** ..... D6/480–489,

D6/495–499, 439–431, 423, 477–479; 108/150,

108/153.1, 155, 156, 161, 115, 118, 131,

108/129, 132, 120; 248/188, 188.1, 188.8

See application file for complete search history.

FIG. 3 is a rear and side perspective view thereof;

FIG. 4 is a front view thereof with the table in a folded configuration;

FIG. 5 is a front view thereof with the table in an alternate folded configuration;

FIG. 6 is a front view thereof with the table in a further alternate folded configuration;

FIG. 7 is a side view thereof, the opposite side being a mirror image thereof; and,

FIG. 8 is a top plan view thereof.

FIG. 7 is a side view thereof, the opposite side being a mirror image thereof; and,

FIG. 8 is a top plan view thereof.

(56) **References Cited**

**U.S. PATENT DOCUMENTS**

2,692,807 A \* 10/1954 Cordola ..... 108/120

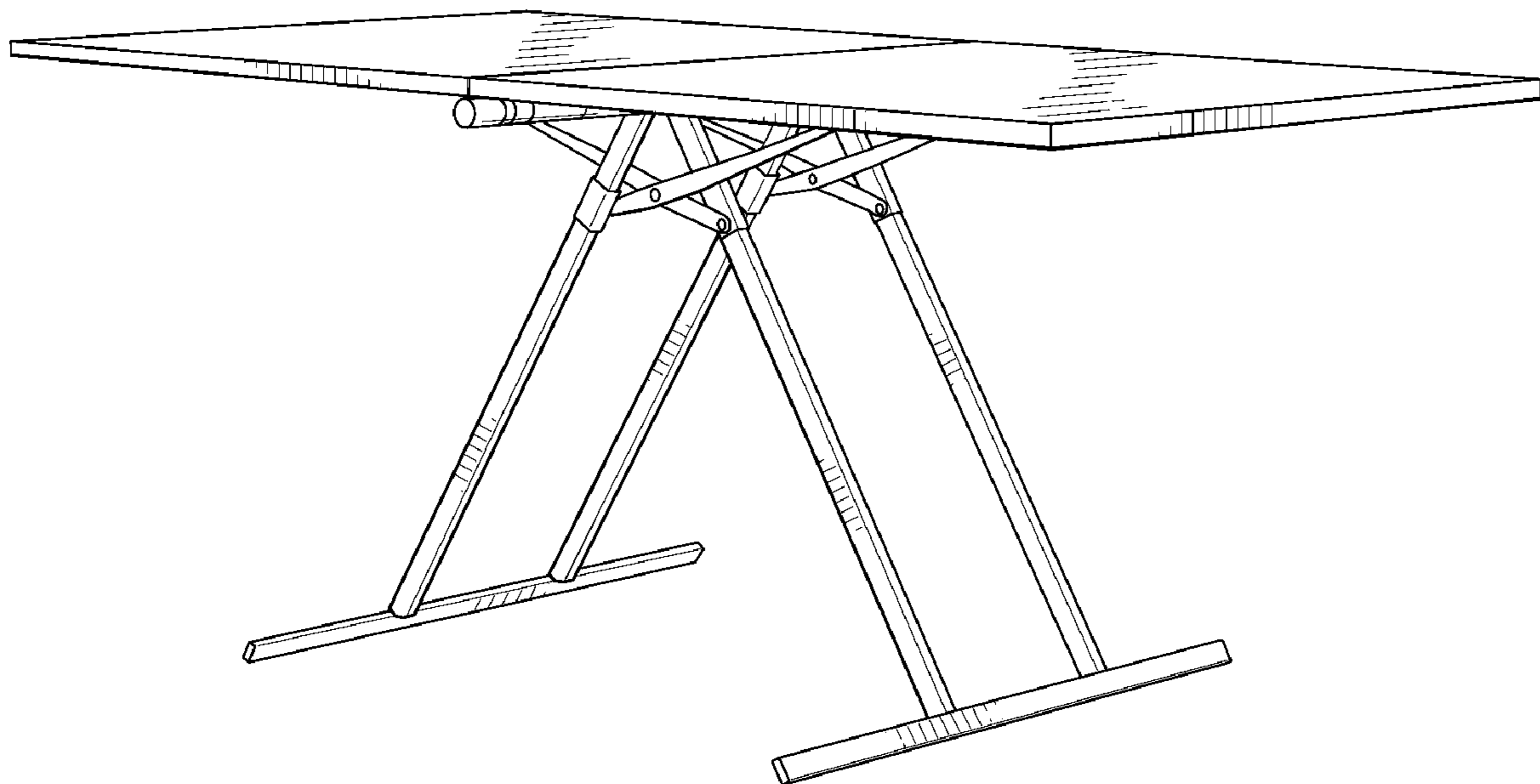
3,224,389 A \* 12/1965 Kent ..... 108/119

D469,996 S \* 2/2003 Ashby ..... D6/511

D481,567 S \* 11/2003 Ashby et al. .... D6/499

D511,259 S \* 11/2005 Winter ..... D6/499

**1 Claim, 8 Drawing Sheets**



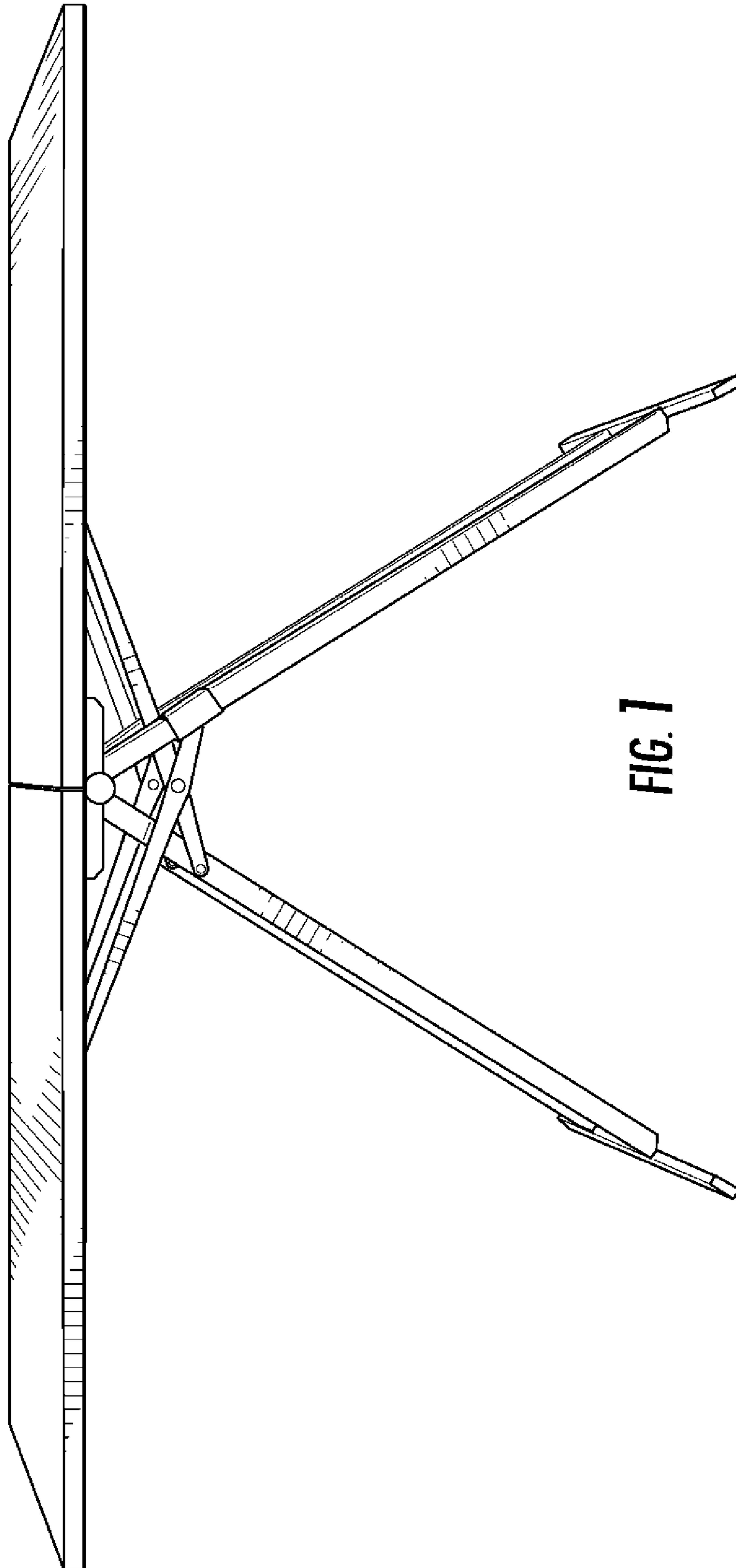


FIG. 1

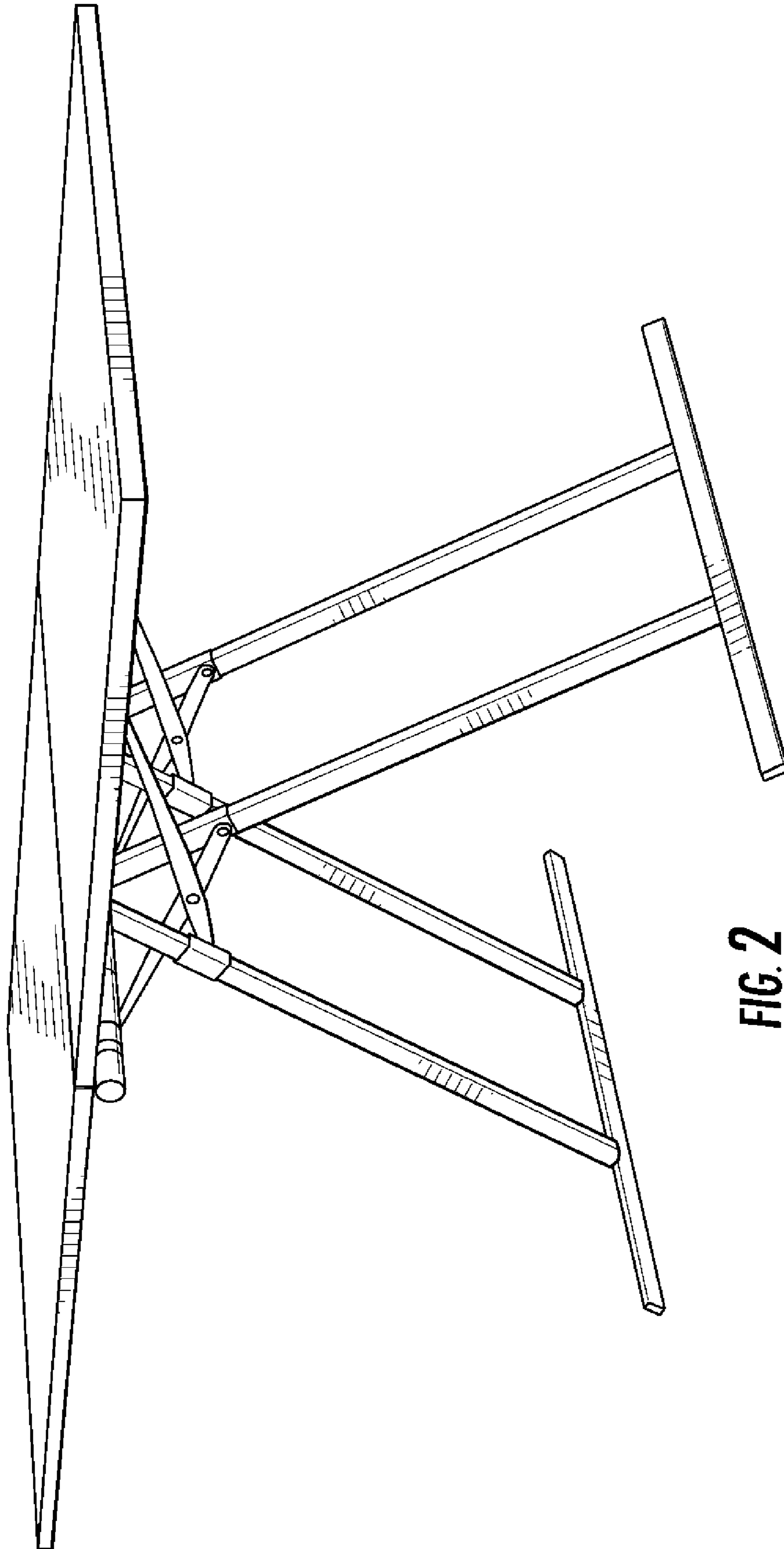


FIG. 2

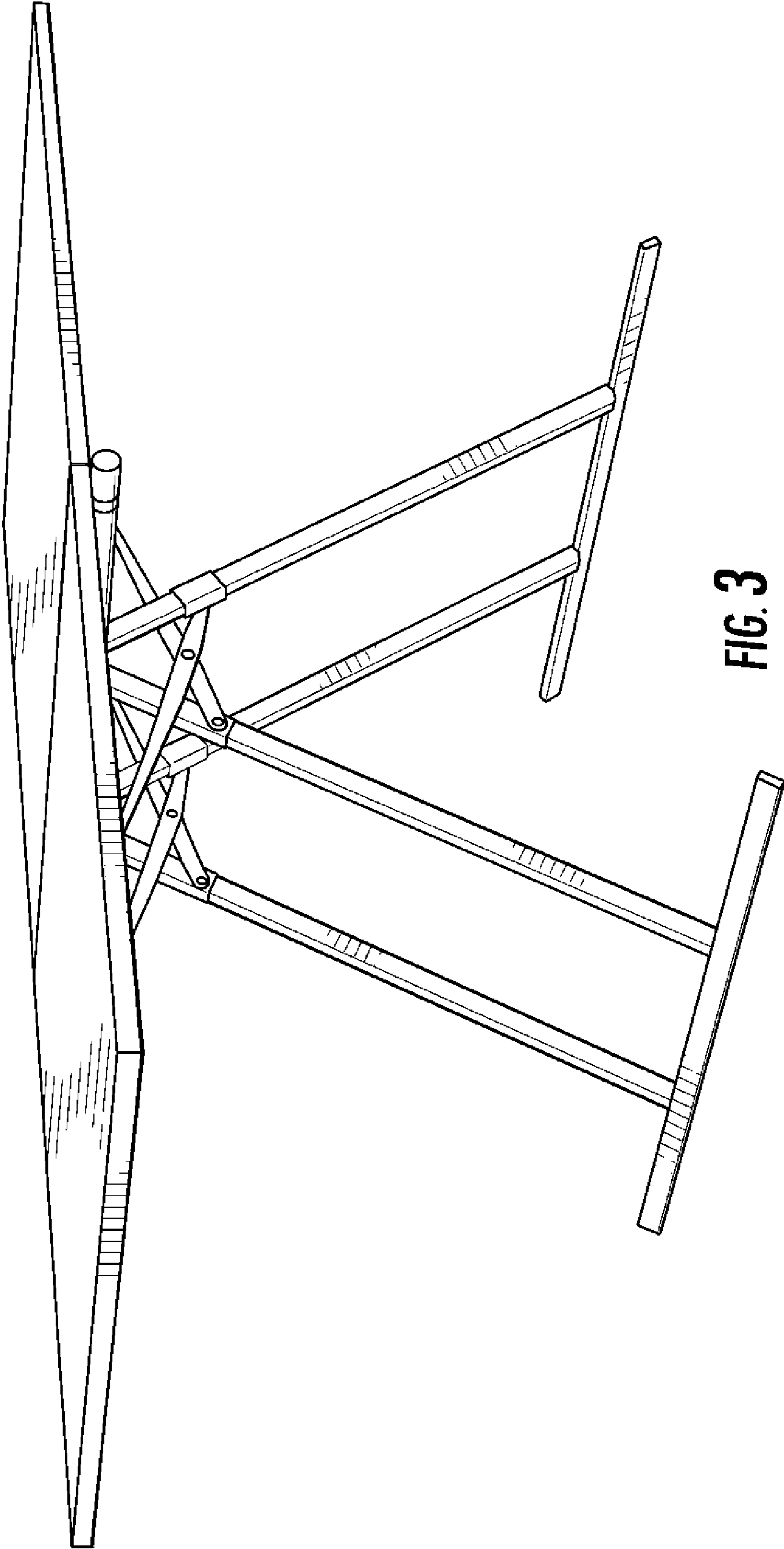


FIG. 3

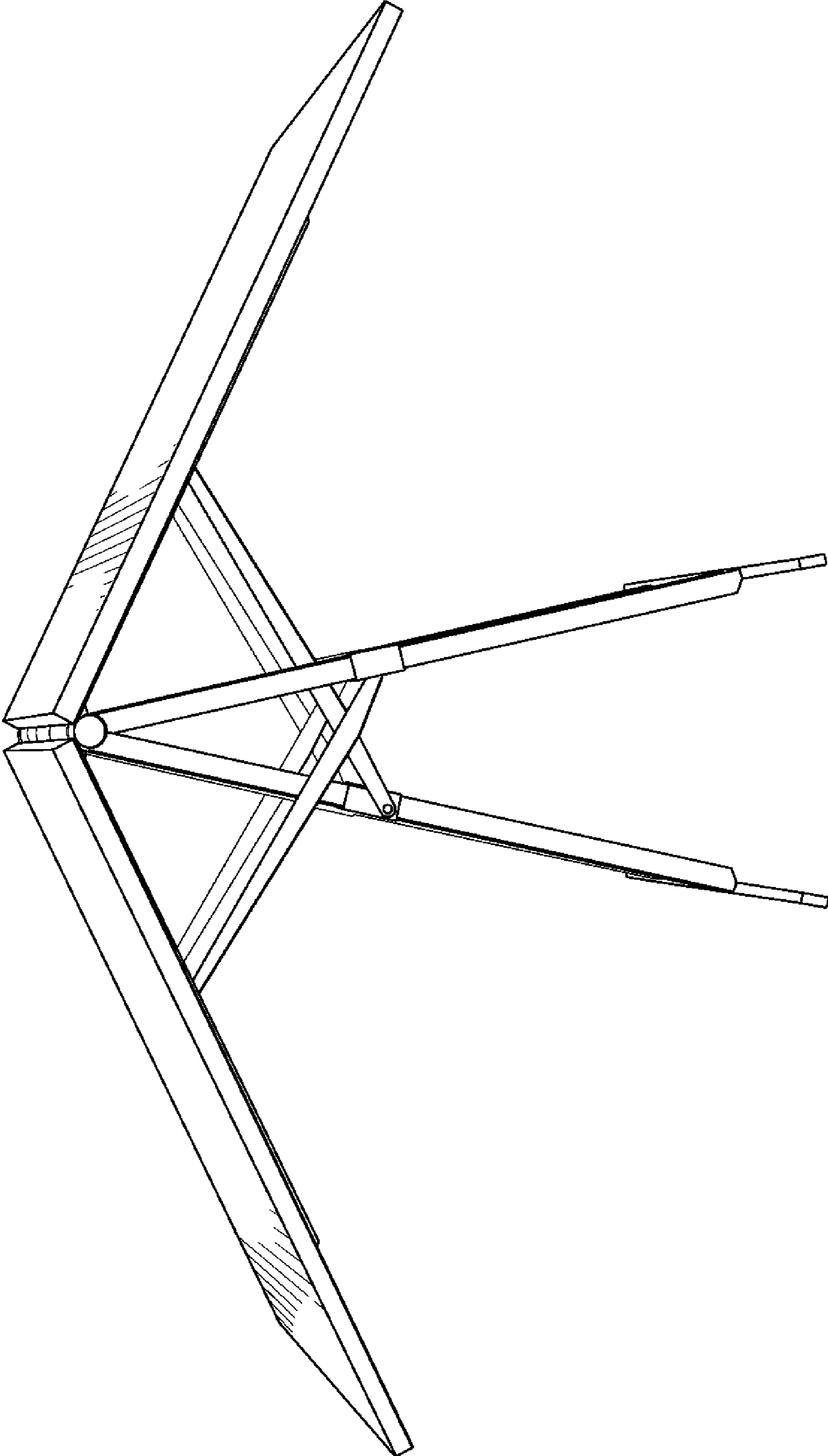
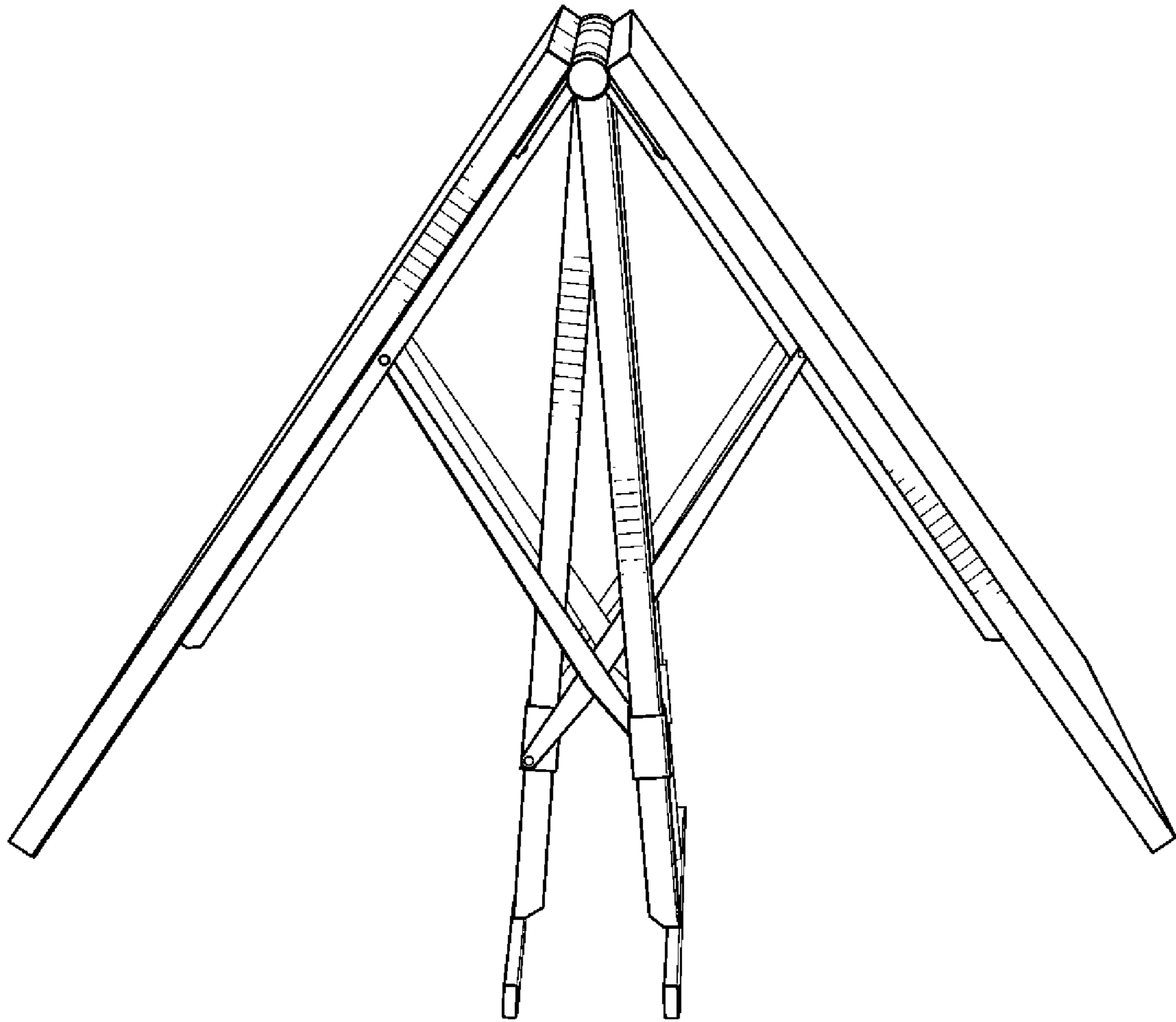
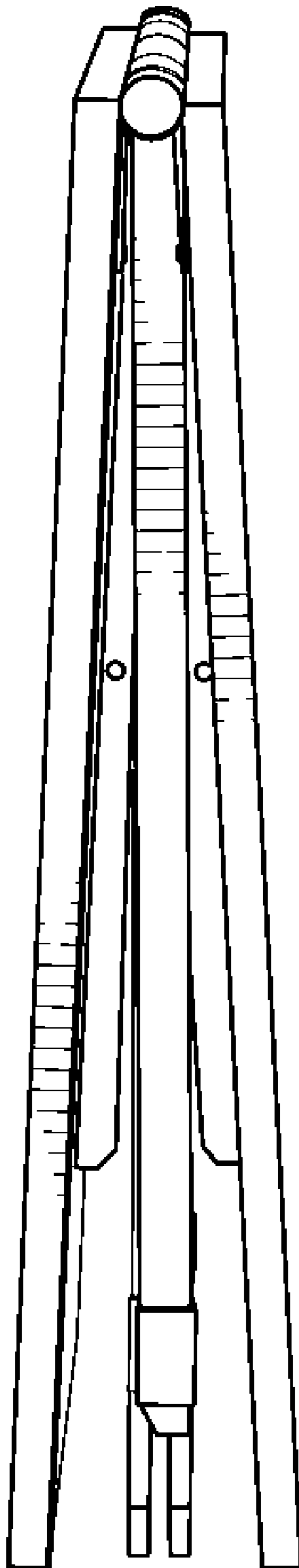


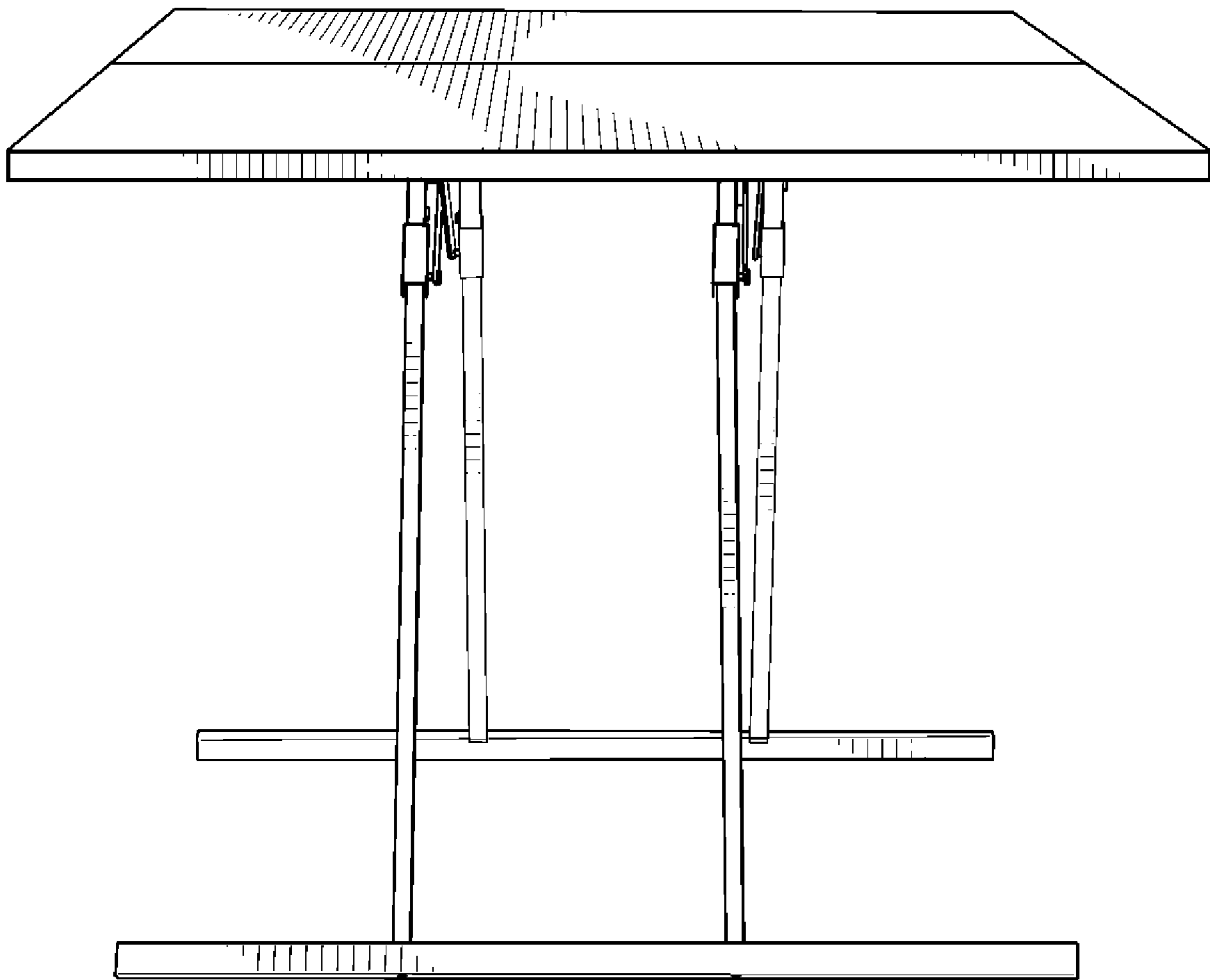
FIG. 4



**FIG. 5**

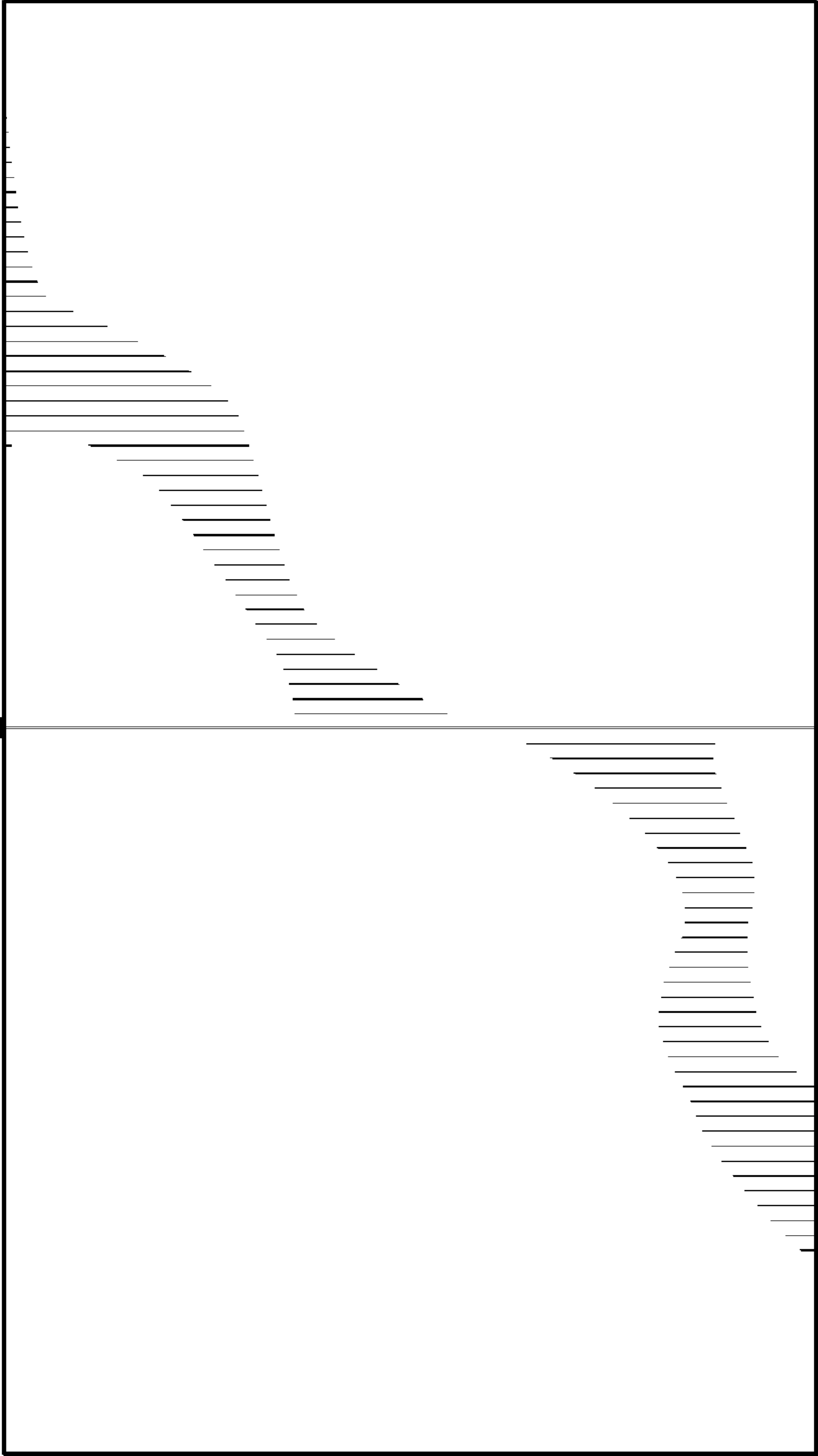


**FIG. 6**



**FIG. 7**





**FIG. 8**