



US00D598211S

(12) **United States Design Patent**  
**Mourgue**

(10) **Patent No.:** **US D598,211 S**

(45) **Date of Patent:** **\*\* Aug. 18, 2009**

(54) **BED**

6,151,738 A \* 11/2000 Arr ..... 5/661  
D545,078 S \* 6/2007 Jourdan ..... D6/393

(75) Inventor: **Pascal Mourgue**, Montreuil sur Bois  
(FR)

**OTHER PUBLICATIONS**

Domus, Sep. 1987, p. 687, I Madrigali bed in center at left.\*

(73) Assignee: **Cinna** (FR)

\* cited by examiner

(\*\*) Term: **14 Years**

*Primary Examiner*—Janice E Seeger

(21) Appl. No.: **29/321,278**

(74) *Attorney, Agent, or Firm*—Cantor Colburn LLP

(22) Filed: **Jul. 14, 2008**

(57) **CLAIM**

(30) **Foreign Application Priority Data**

I claim, the ornamental design for a bed, as shown and described.

Jan. 14, 2008 (FR) ..... 000 857 479-0003

**DESCRIPTION**

(51) **LOC (9) Cl.** ..... **06-02**

FIG. 1 is a front side perspective view of a bed showing my new design;

(52) **U.S. Cl.** ..... **D6/393**

FIG. 2 is a rear side perspective view thereof;

(58) **Field of Classification Search** ..... D6/382–384,  
D6/388, 392–395, 505–508; 5/53.1, 907,  
5/279.1, 280, 281, 2.1, 3, 7

FIG. 3 is a side perspective view thereof;

See application file for complete search history.

FIG. 4 is an opposite side perspective view thereof;

(56) **References Cited**

FIG. 5 is a top perspective view thereof;

**U.S. PATENT DOCUMENTS**

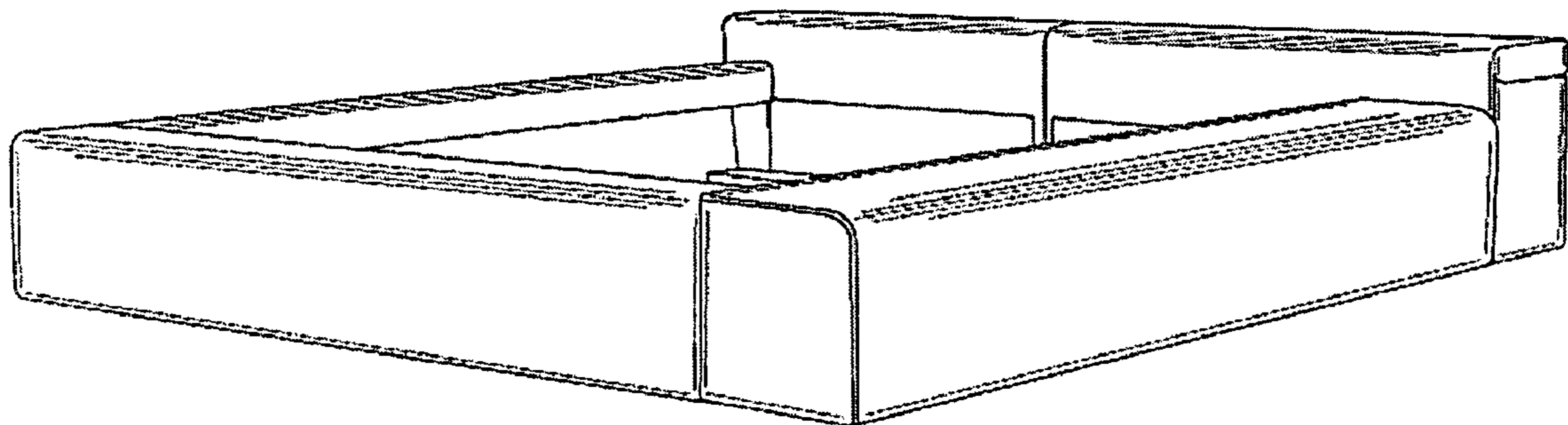
FIG. 6 is a rear perspective view thereof; and,

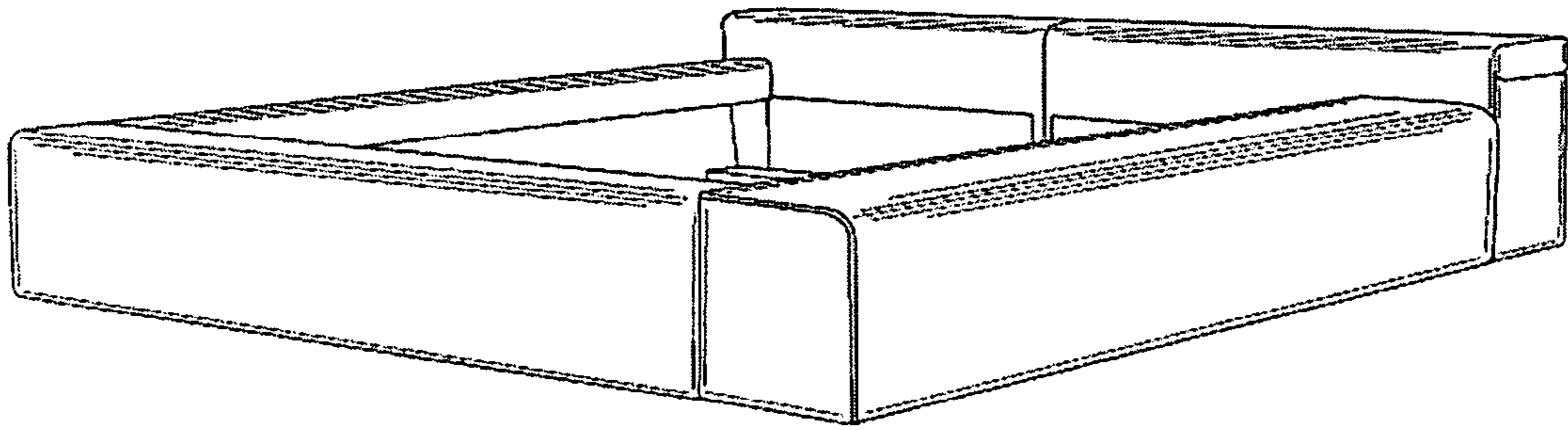
2,844,829 A \* 7/1958 Levy ..... 5/634

FIG. 7 is a front perspective view thereof.

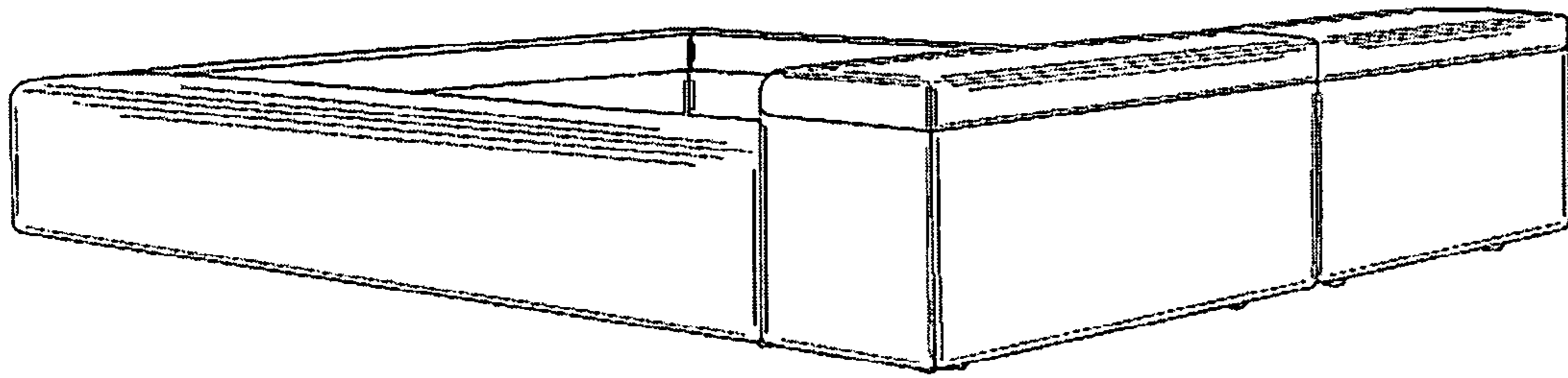
D279,439 S \* 7/1985 Offredi ..... D6/393

**1 Claim, 7 Drawing Sheets**

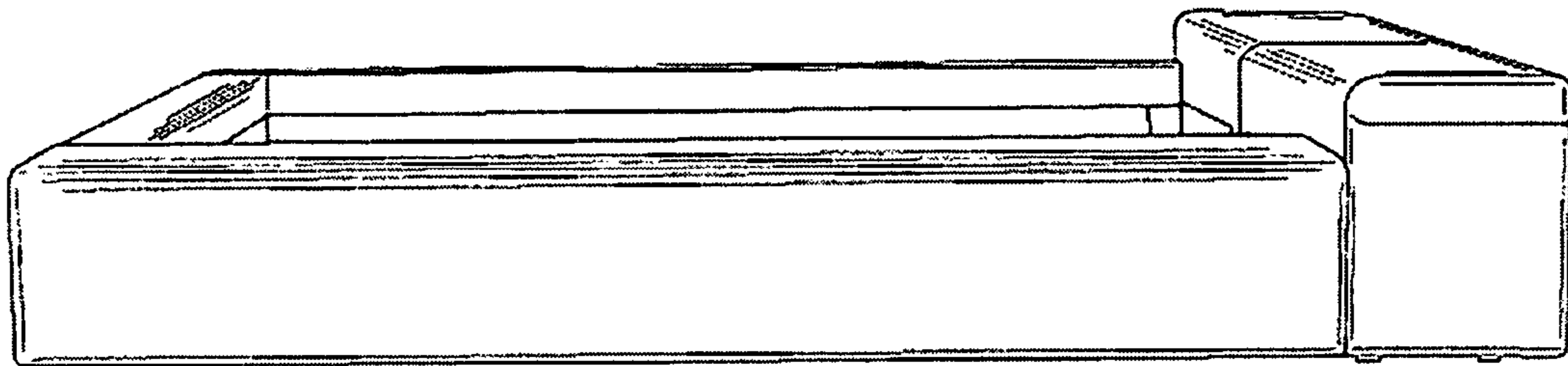




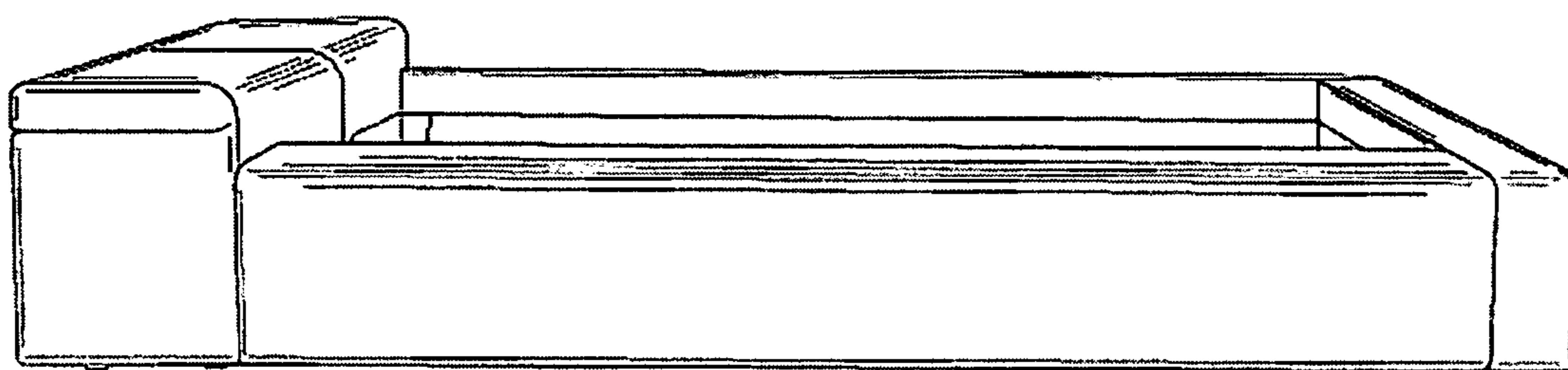
*FIG. 1*



**FIG. 2**



**FIG. 3**



**FIG. 4**

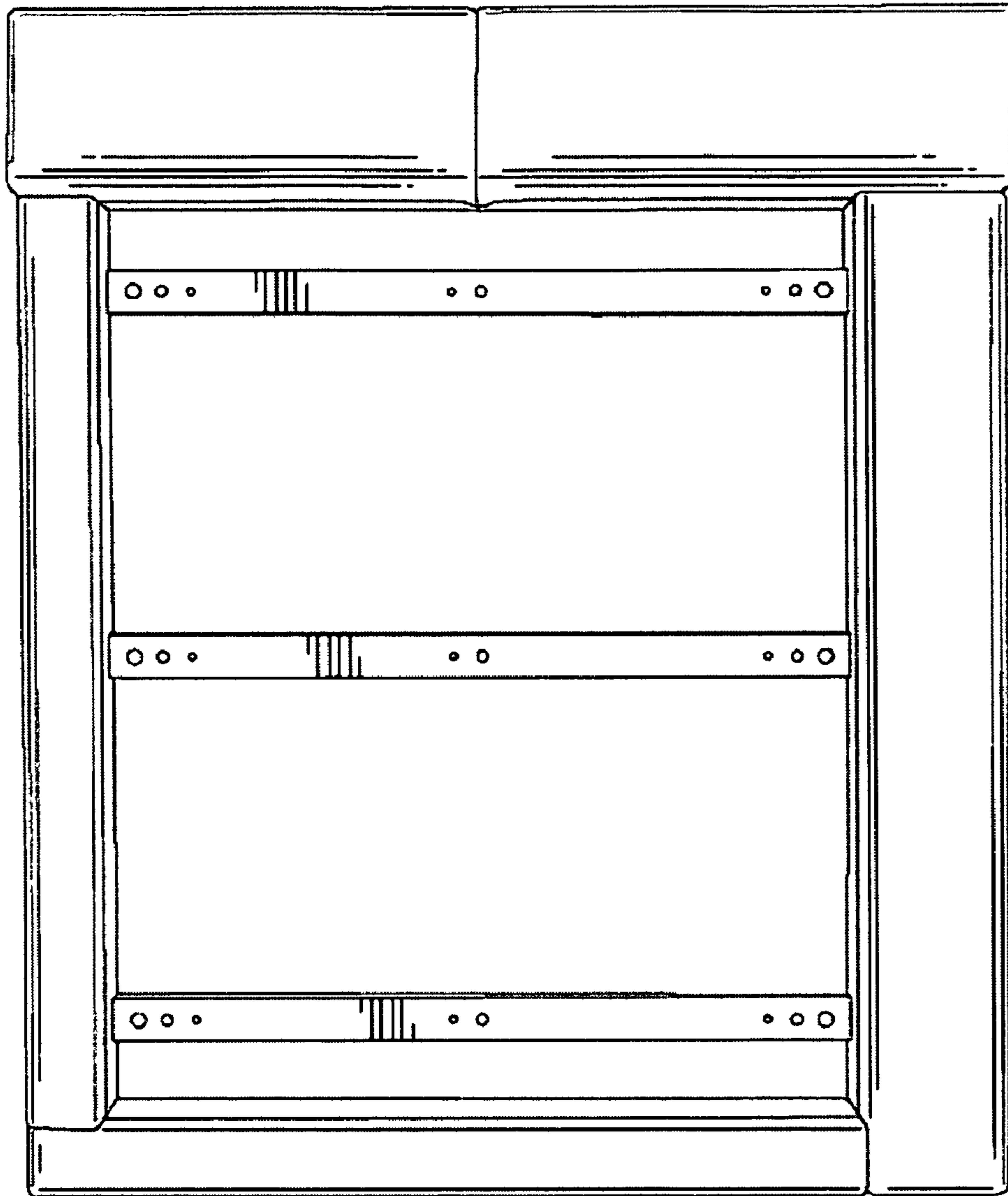
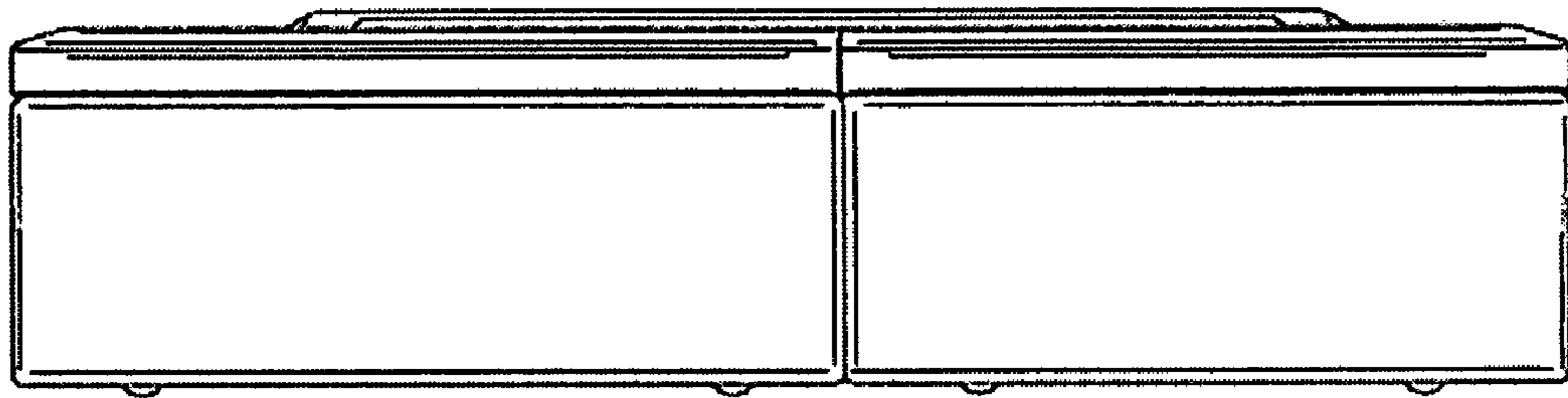
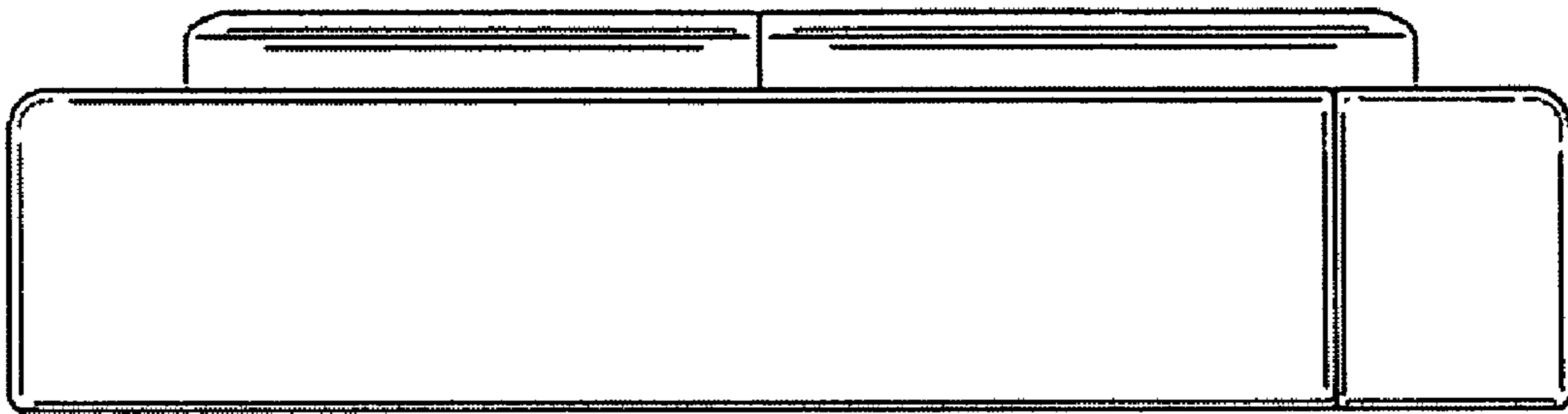


FIG. 5



**FIG. 6**



**FIG. 7**