



US00D598210S

(12) **United States Design Patent**  
**Mabe**

(10) **Patent No.:** **US D598,210 S**

(45) **Date of Patent:** **\*\* Aug. 18, 2009**

(54) **SEATING APPARATUS**

(76) Inventor: **Michael John Mabe**, 534 Outrigger,  
Galveston, TX (US) 77554

(\*\*) Term: **14 Years**

(21) Appl. No.: **29/310,978**

(22) Filed: **Sep. 20, 2008**

(51) **LOC (9) Cl.** ..... **06-01**

(52) **U.S. Cl.** ..... **D6/376; D6/379**

(58) **Field of Classification Search** ..... D6/334-335,  
D6/344-347, 374, 375, 376, 379, 380, 381,  
D6/499, 500-502; 297/232, 248, 411.43,  
297/423.25, 423.26, 452.2; D12/107, 109;  
280/202, 209

See application file for complete search history.

(56) **References Cited**

**U.S. PATENT DOCUMENTS**

3,582,137	A *	6/1971	Reinhardt	.....	297/423.26
3,713,671	A *	1/1973	Boyer	.....	280/202
3,794,352	A *	2/1974	Popp	.....	280/209
6,170,844	B1 *	1/2001	Sasi	.....	280/209
D457,332	S *	5/2002	Liu	.....	D6/347

\* cited by examiner

*Primary Examiner*—Mimosa De  
(74) *Attorney, Agent, or Firm*—Scott D. Compton

(57) **CLAIM**

The ornamental design for a seating apparatus, as shown and described.

**DESCRIPTION**

FIG. 1 is a perspective view of a seating apparatus including my new design as implemented in conjunction with a quadricycle, whereby the dashed lines form no part of the claimed design;

FIG. 2 is a perspective view of the seating apparatus showing my new design;

FIG. 3 is a perspective view of the seating apparatus including hand grips, seat cushions and an end cap, whereby the dashed lines of the hand grips, seat cushions and end cap form no part of the claimed design;

FIG. 4 is a right side elevational view of the seating apparatus;

FIG. 5 is a left side elevational view of the seating apparatus;

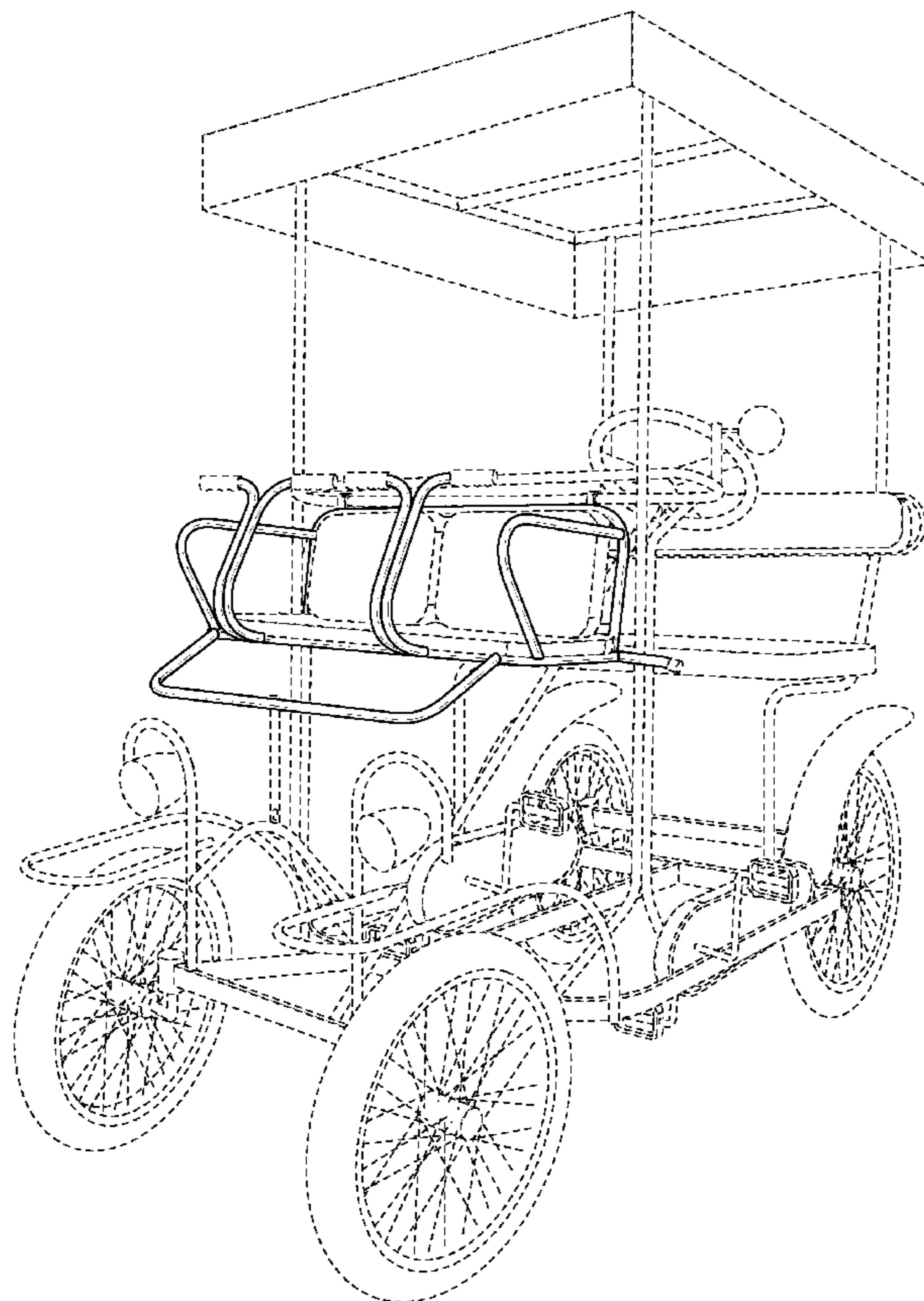
FIG. 6 is a front elevational view of the seating apparatus;

FIG. 7 is a rear elevational view of the seating apparatus;

FIG. 8 is a top view of the seating apparatus; and,

FIG. 9 is a bottom view of the seating apparatus.

**1 Claim, 5 Drawing Sheets**



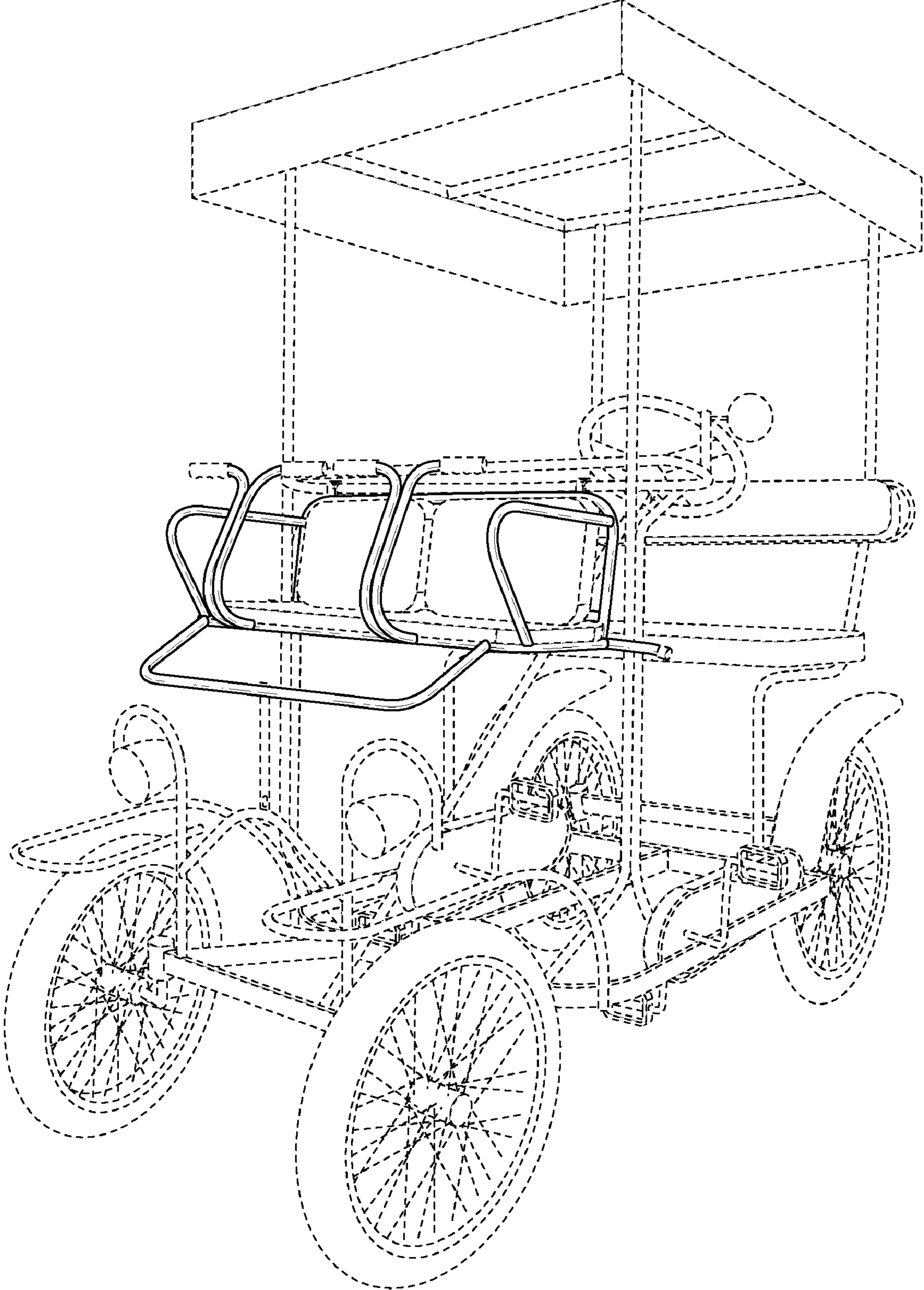
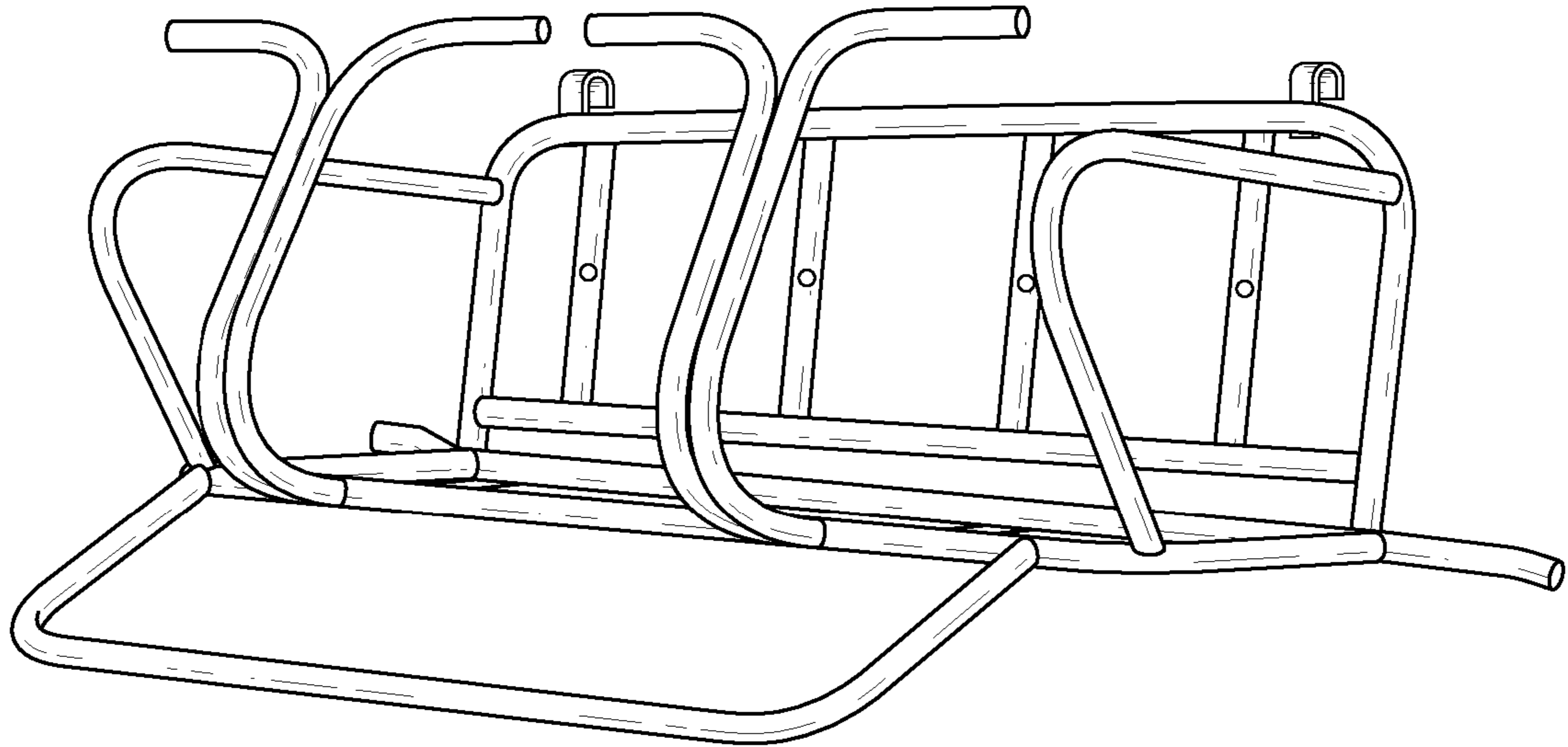
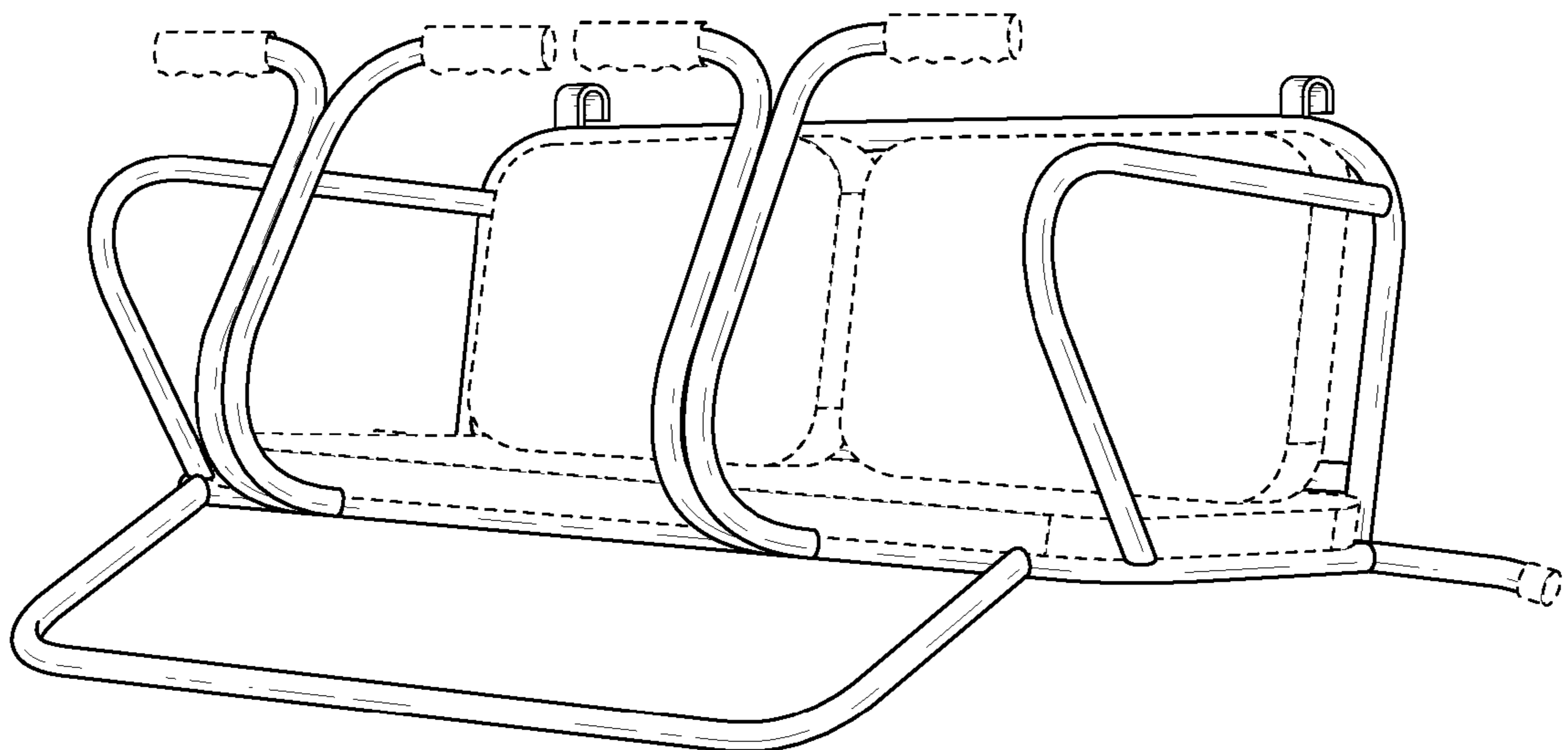


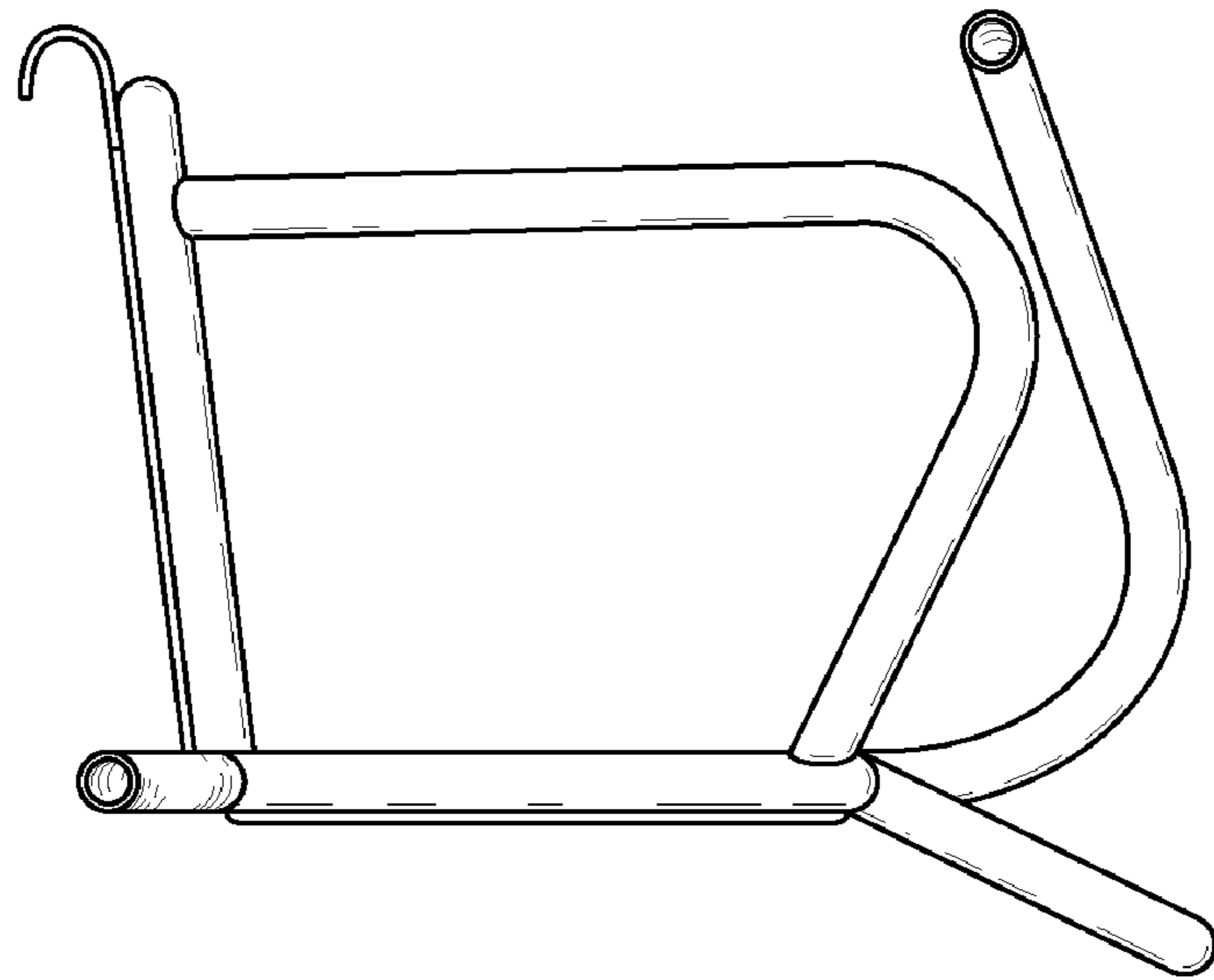
FIG. 1



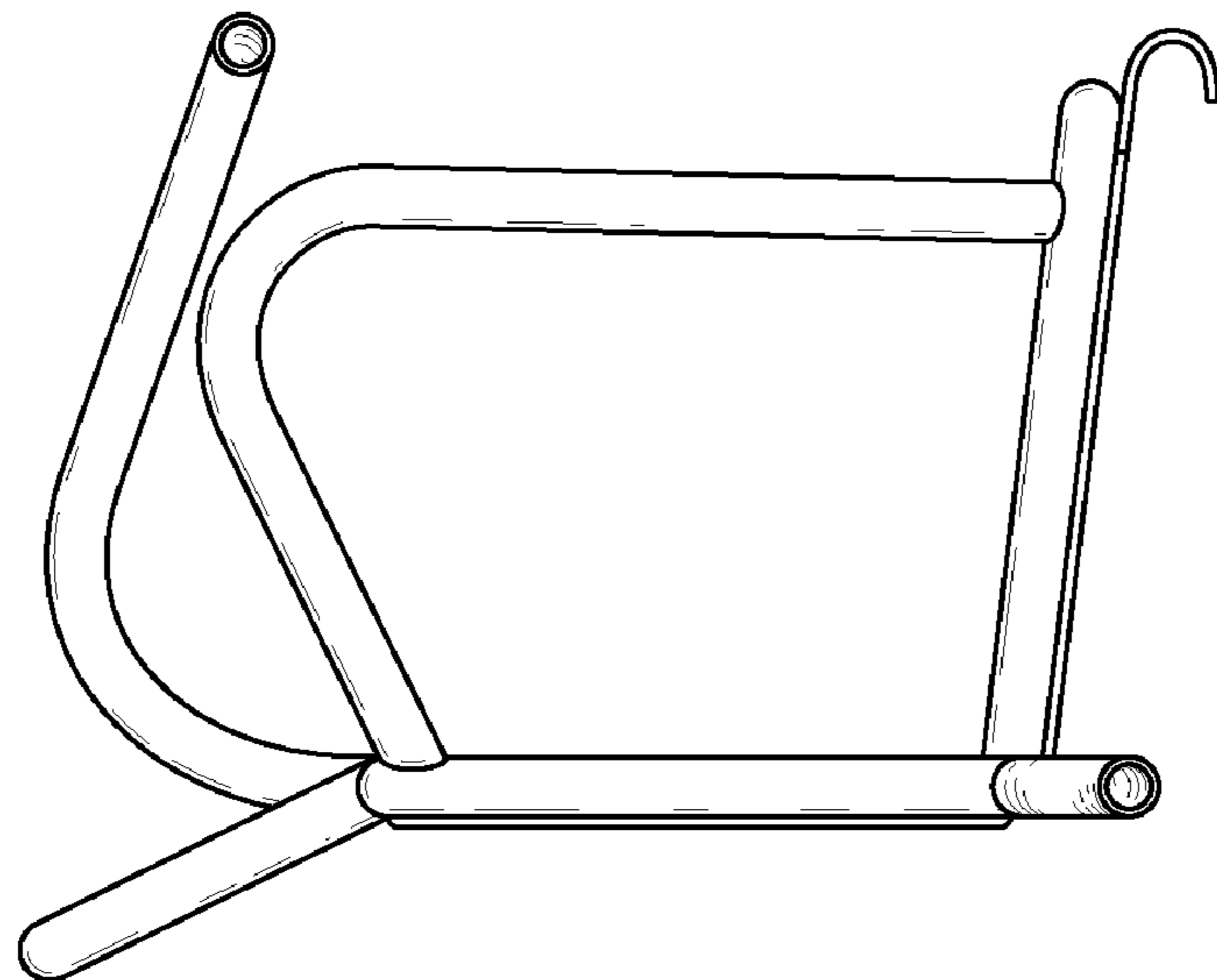
**FIG. 2**



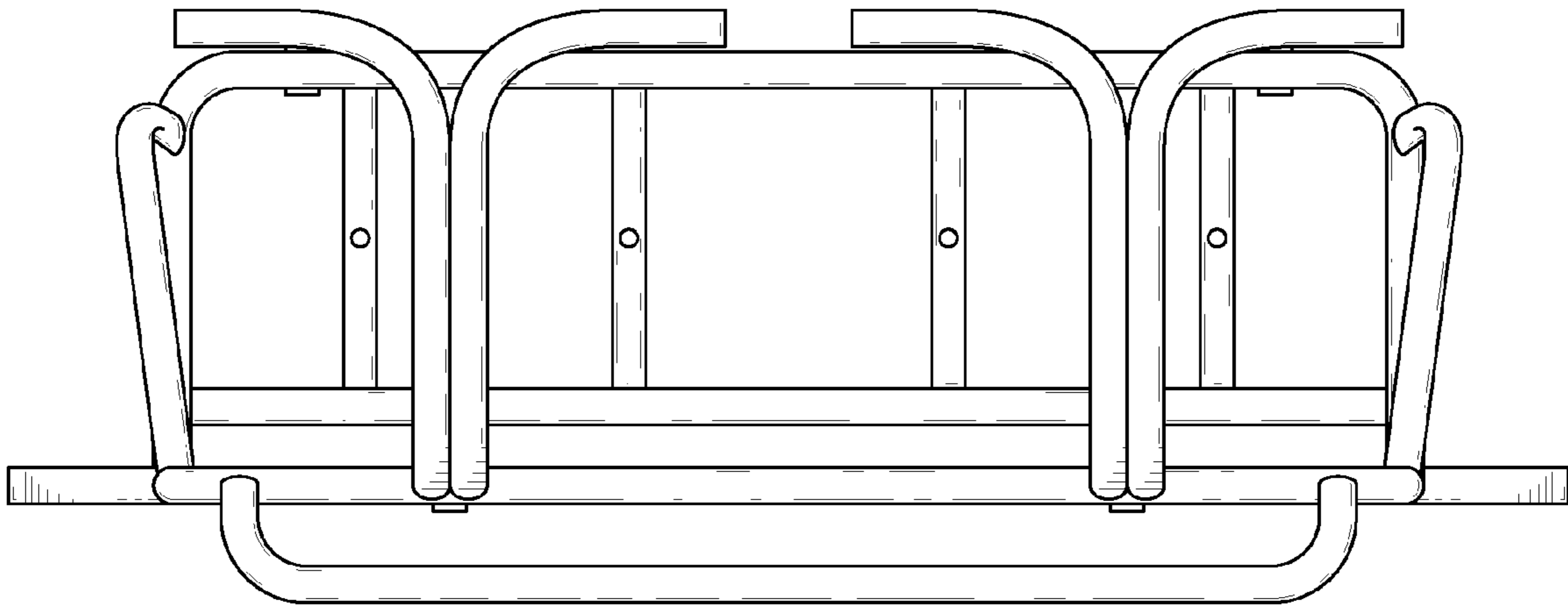
**FIG. 3**



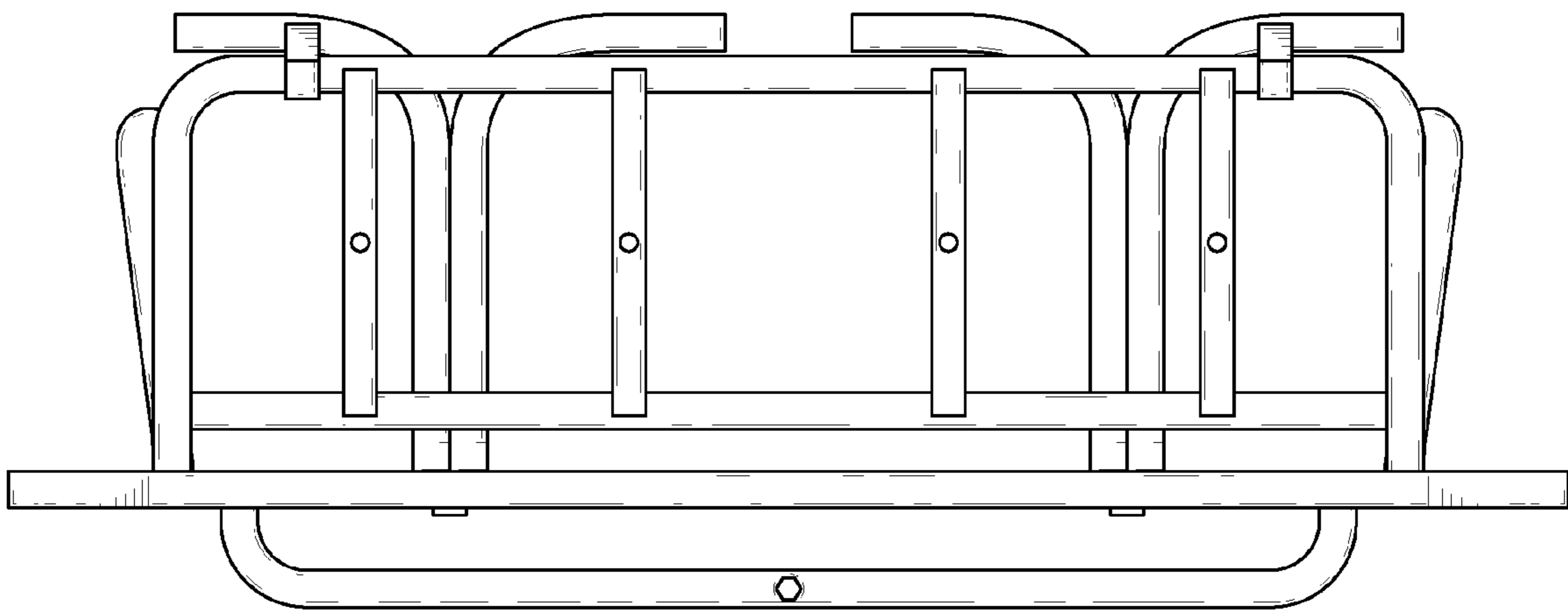
**FIG. 4**



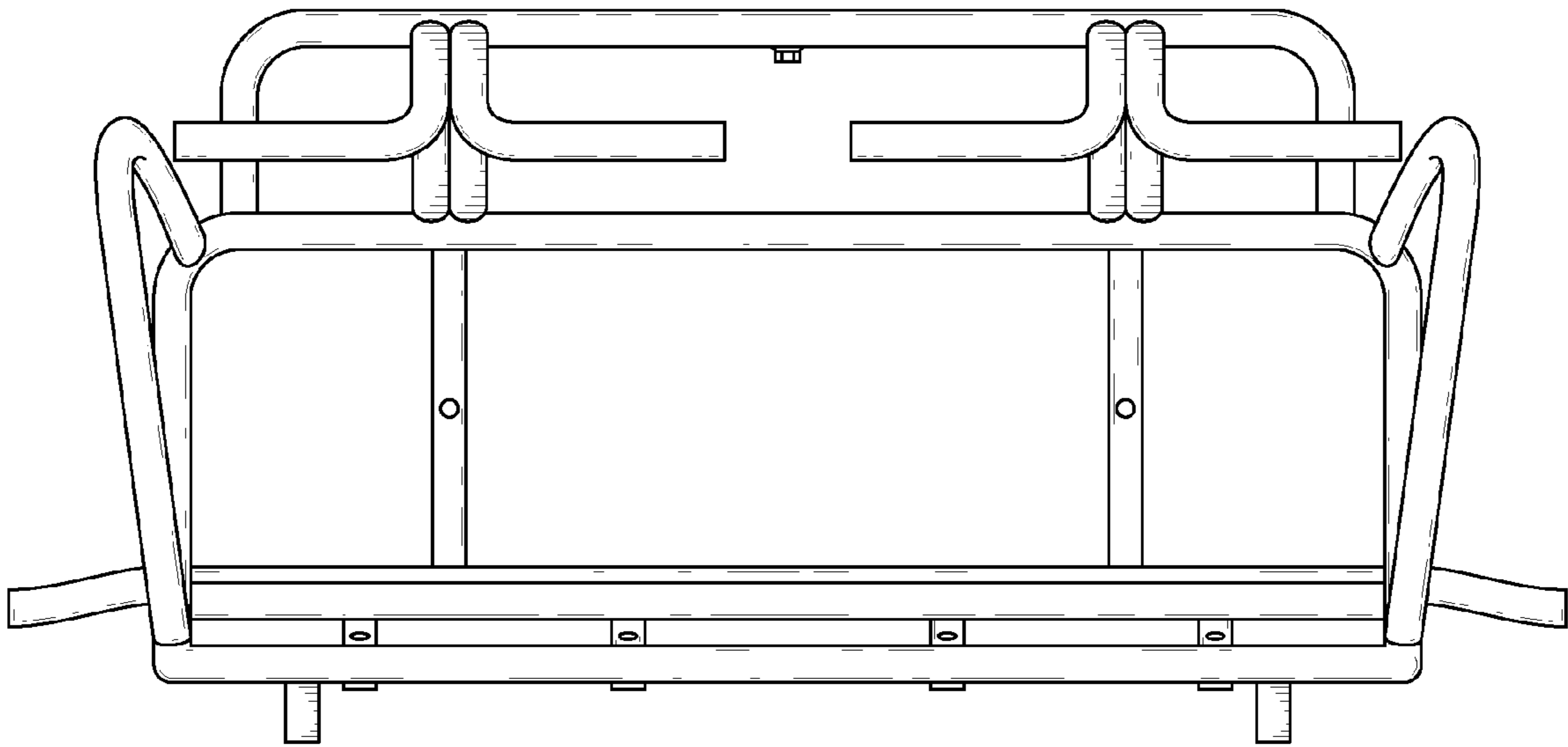
**FIG. 5**



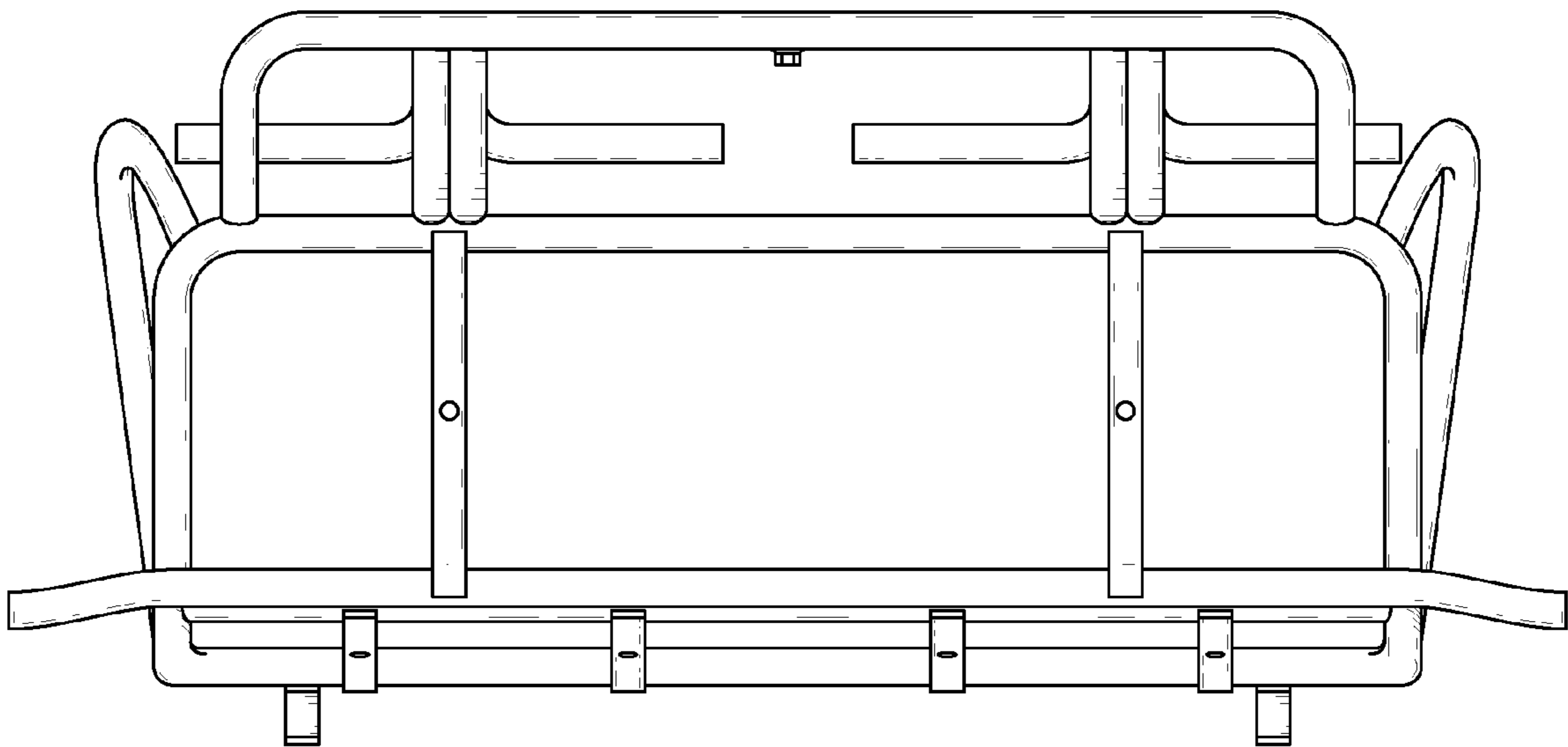
**FIG. 6**



**FIG. 7**



**FIG. 8**



**FIG. 9**