



US00D598209S

(12) **United States Design Patent**
Lippert et al.

(10) **Patent No.:** **US D598,209 S**

(45) **Date of Patent:** **** Aug. 18, 2009**

(54) **DRUMMER'S CHAIR**

(75) Inventors: **Helmut Lippert**, Breitenbrunn (DE);
Klaus Werner, Wertheim (DE);
Wolfgang Seidel, Wertheim (DE)

(73) Assignee: **König & Meyer GmbH & Co. KG**,
Wertheim (DE)

(**) Term: **14 Years**

(21) Appl. No.: **29/265,850**

(22) Filed: **Sep. 7, 2006**

(30) **Foreign Application Priority Data**

Mar. 10, 2006 (EM) 000498407-0001

(51) **LOC (9) Cl.** **06-01**

(52) **U.S. Cl.** **D6/367**

(58) **Field of Classification Search** D6/363-367,
D6/334-335, 339, 500-502, 351, 353-355;
297/344.4, 195.1, 195.11, 156, 219.11, 344.12,
297/311, 461, 452.2; 248/405, 125.8, 161,
248/188, 188.1-188.4

See application file for complete search history.

(56) **References Cited**

U.S. PATENT DOCUMENTS

1,704,447 A * 3/1929 Schmid 108/136
3,262,406 A * 7/1966 Nickolaisen 297/461
D282,320 S * 1/1986 Anderson D6/300

5,927,810 A * 7/1999 Liao 297/344.12
6,030,045 A * 2/2000 Hoshino 297/461
D433,854 S * 11/2000 Diffrient D6/502
6,672,660 B2 * 1/2004 Hoshino 297/195.1
D496,813 S * 10/2004 Nakajima D6/502
7,234,781 B2 * 6/2007 Liao 297/461

* cited by examiner

Primary Examiner—Caron Veynar

Assistant Examiner—Abraham Bahta

(74) *Attorney, Agent, or Firm*—Friedrich Kueffner

(57) **CLAIM**

The ornamental design for a drummer's chair, as shown and described.

DESCRIPTION

FIG. 1 is a perspective view of a drummer's chair with extended seat showing my new design;

FIG. 2 is another perspective view thereof;

FIG. 3 is a perspective bottom view thereof;

FIG. 4 is a perspective side view thereof;

FIG. 5 is a detailed view thereof, on a larger scale, the fastening of the seat to the column shown for ease of illustration;

FIG. 6 is a detailed view thereof, on a larger scale, the clamping device of the column shown for ease of illustration; and,

FIG. 7 is a leg of the drummer's chair shown for ease of illustration.

1 Claim, 7 Drawing Sheets

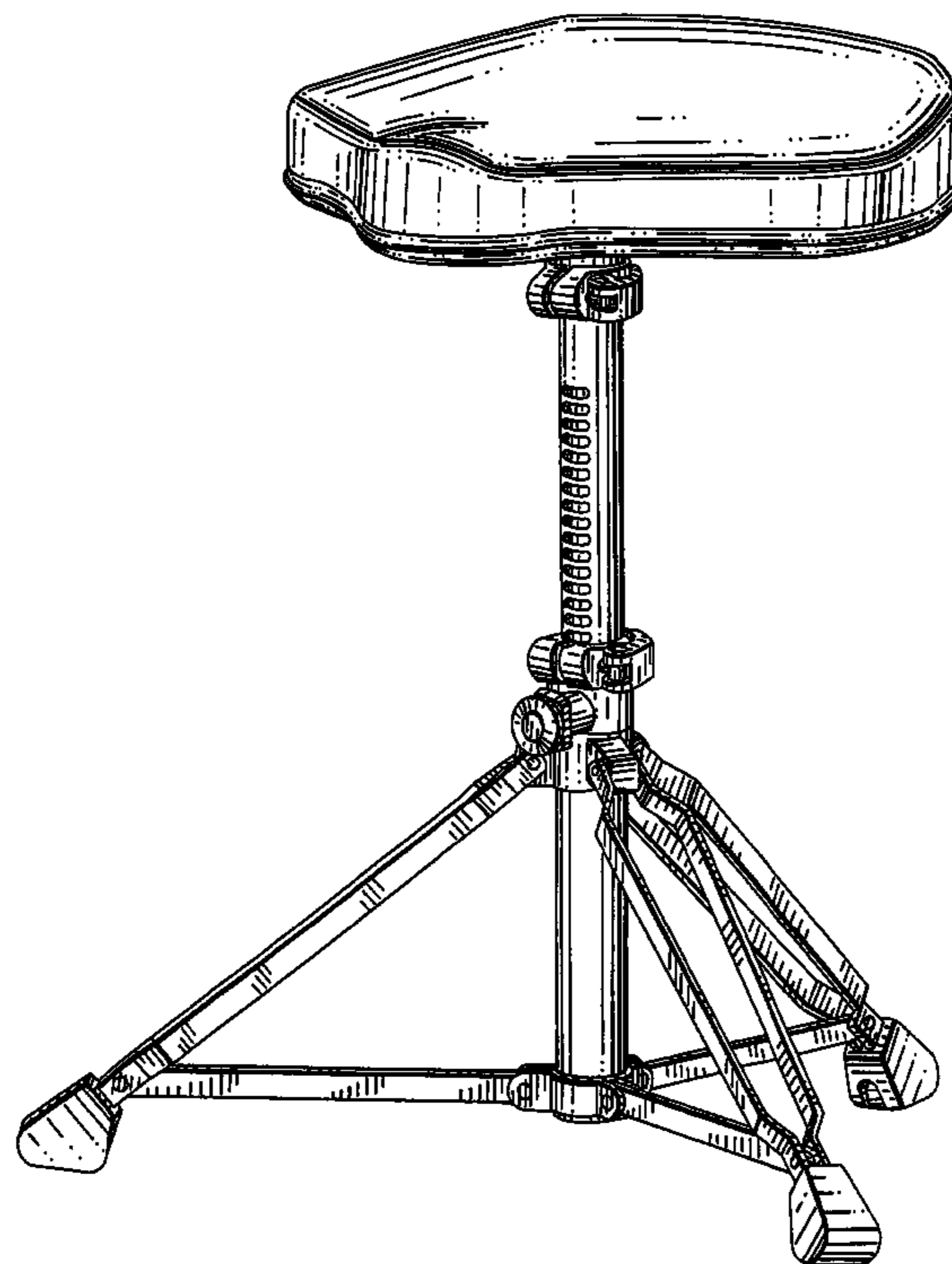
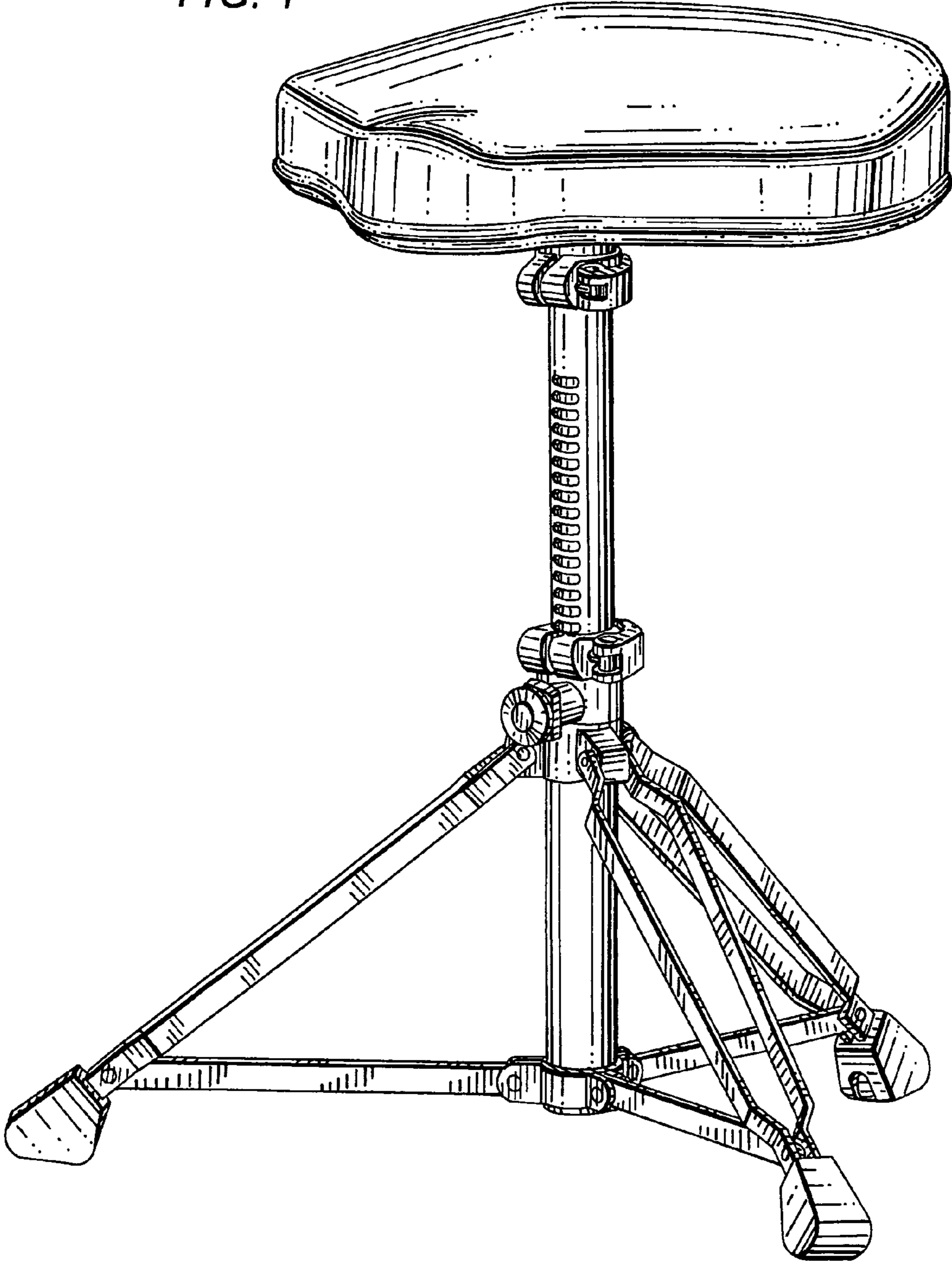


FIG. 1



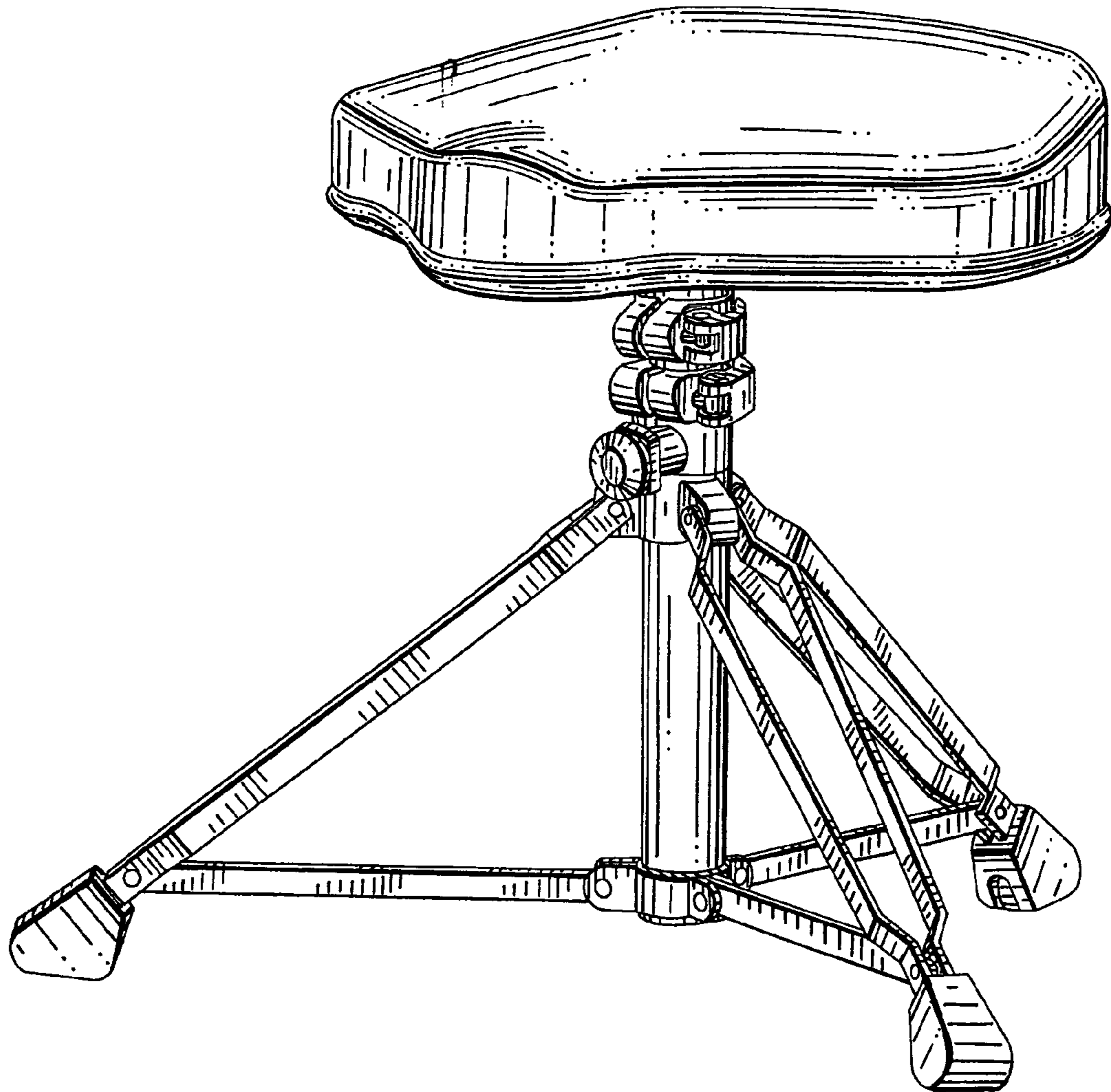


FIG. 2

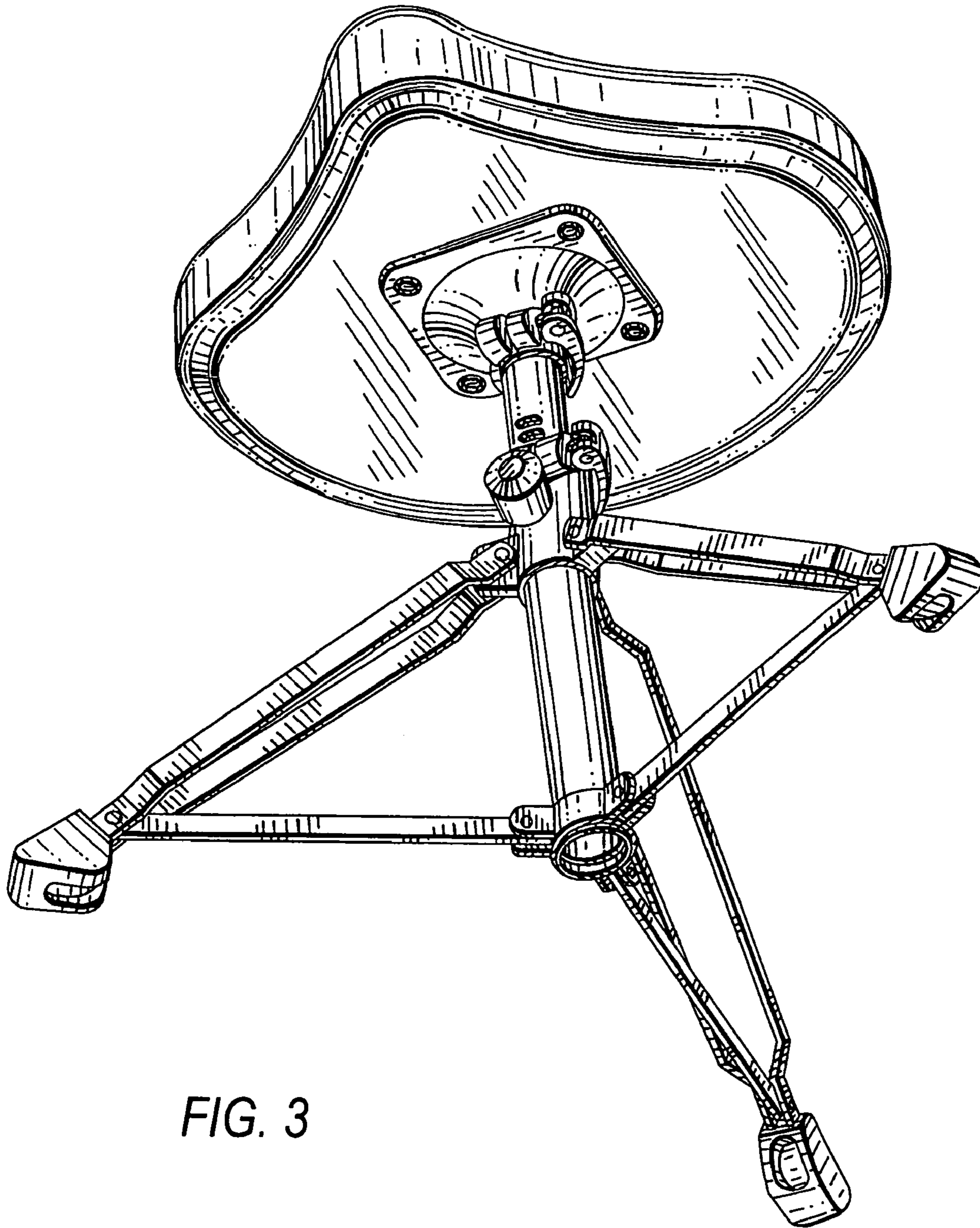


FIG. 3

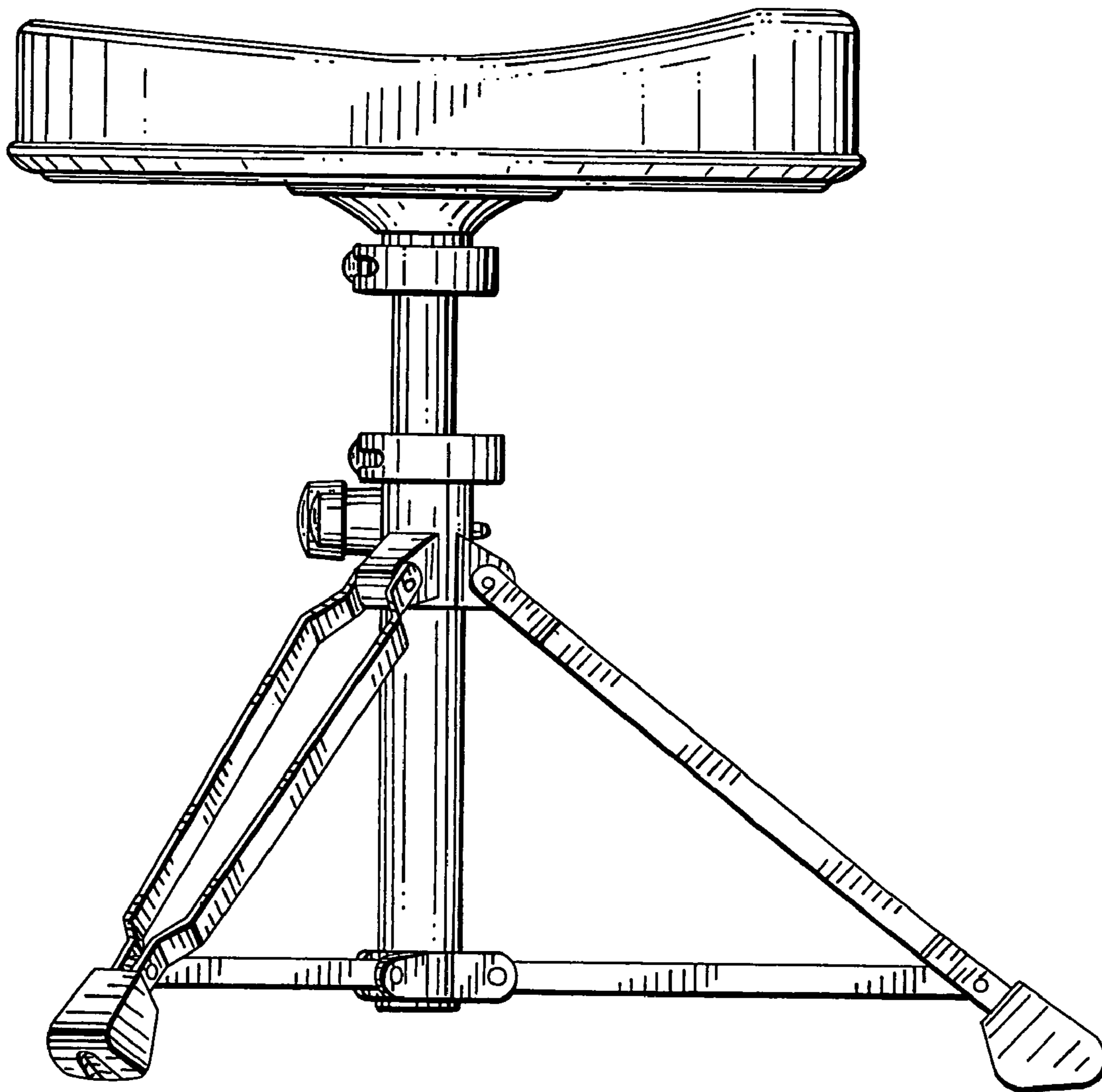


FIG. 4

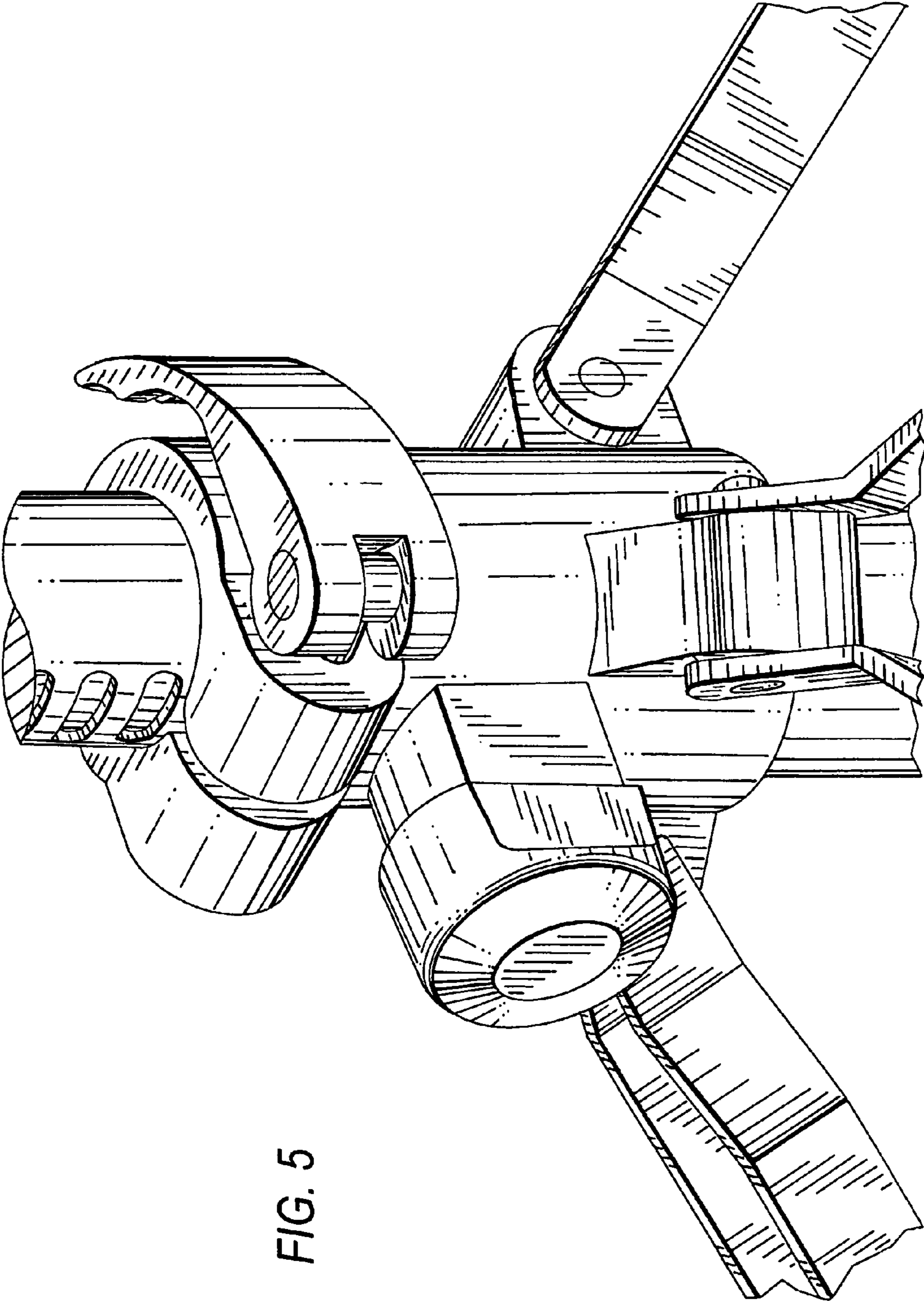


FIG. 5

FIG. 6

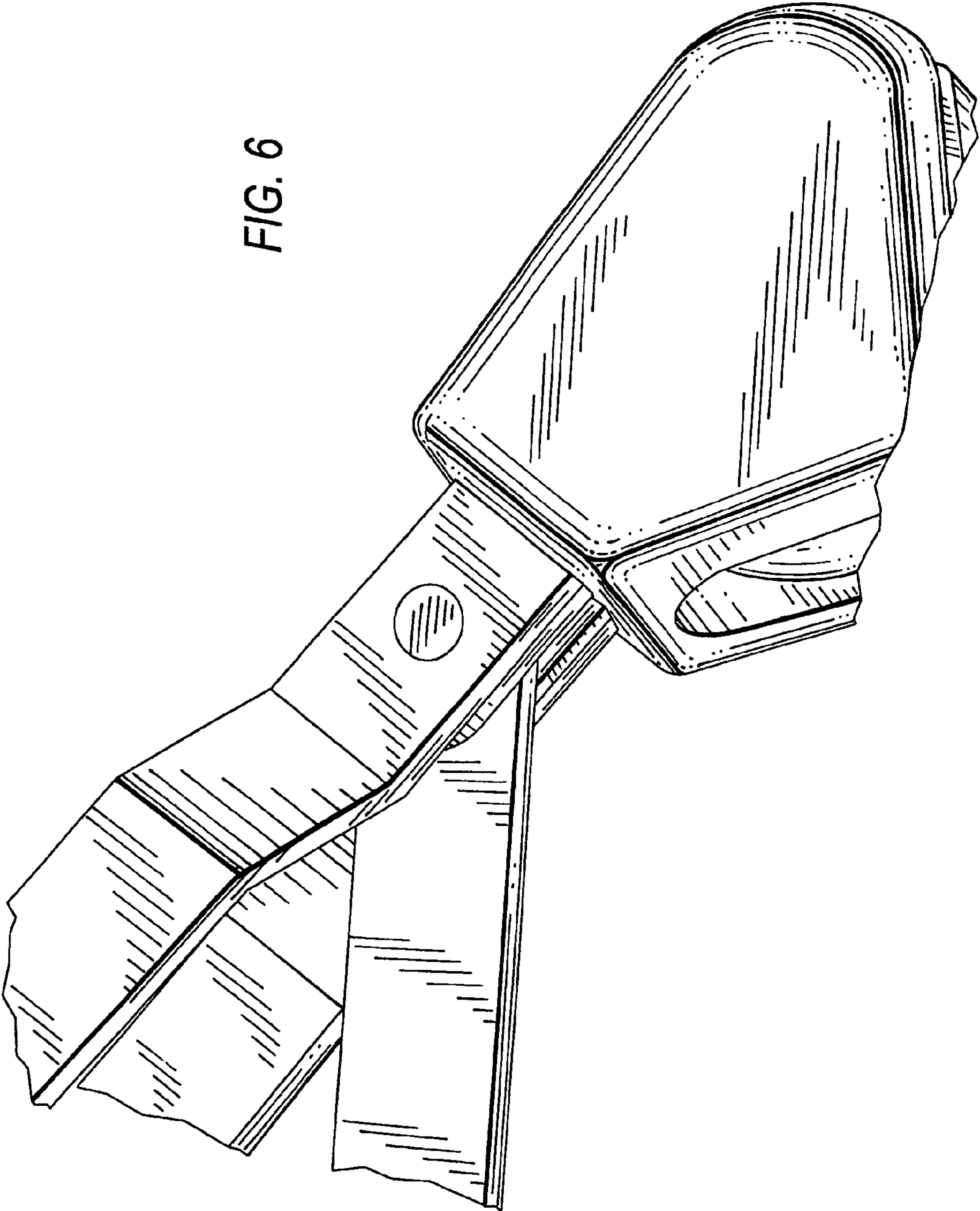


FIG. 7

