



US00D598208S

(12) **United States Design Patent**  
**Albritton**

(10) **Patent No.:** **US D598,208 S**

(45) **Date of Patent:** **\*\* Aug. 18, 2009**

(54) **COUPLE'S CHAIR**

(76) Inventor: **William J. Albritton**, P.O. Box 20932,  
Jackson, MS (US) 39289-0932

(\*\*) Term: **14 Years**

(21) Appl. No.: **29/308,842**

(22) Filed: **Jul. 9, 2008**

D499,895 S	12/2004	Olson et al.	
D514,338 S *	2/2006	Bellin .....	D6/366
D517,820 S	3/2006	Citterio	
D520,764 S	5/2006	Kinoshita et al.	
7,114,777 B2	10/2006	Knoblock et al.	
D536,890 S	2/2007	Lowe et al.	
D543,041 S	5/2007	Hara	
D543,369 S	5/2007	Hara	
D546,594 S	7/2007	Kane et al.	
D567,523 S *	4/2008	Hara .....	D6/366
D568,625 S *	5/2008	Klaasen et al. ....	D6/366

**Related U.S. Application Data**

(63) Continuation-in-part of application No. 29/265,230,  
filed on Aug. 28, 2006, now abandoned, which is a  
continuation-in-part of application No. 29/176,470,  
filed on Apr. 16, 2003, now abandoned.

(51) **LOC (9) Cl.** ..... **06-01**

(52) **U.S. Cl.** ..... **D6/366**

(58) **Field of Classification Search** ..... D6/334-336,  
D6/360-369, 374, 379-380, 498, 500-502;  
297/245, 284.4, 411.27, 452.13, 452.19,  
297/452.21, 452.29, 452.3, 452.56, 452.64;  
472/114; 600/38

See application file for complete search history.

(56) **References Cited**

**U.S. PATENT DOCUMENTS**

307,811 A	11/1884	Smith	
715,668 A	12/1902	Kiddie	
1,312,382 A *	8/1919	Benas .....	472/114
D211,461 S	6/1968	Walkinshaw	
D274,482 S	7/1984	Caldwell	
D283,378 S	4/1986	Opsvik	
4,607,882 A	8/1986	Opsvik	
D291,155 S	8/1987	Wertheimer	
D292,455 S	10/1987	Rykken	
4,699,423 A *	10/1987	Fitzig et al. ....	297/245
5,377,943 A	1/1995	Perl	
5,385,154 A	1/1995	Fuhrman et al.	
5,389,062 A *	2/1995	Mitchum, Jr. ....	600/38
5,542,743 A	8/1996	Olson et al.	
6,338,344 B1	1/2002	Sinohui, Jr.	

**FOREIGN PATENT DOCUMENTS**

GB	2046797 S	10/1994
GB	3019984 S	1/2005

\* cited by examiner

*Primary Examiner*—Caron Veynar

*Assistant Examiner*—Ricky Pham

(74) *Attorney, Agent, or Firm*—Walker, McKenzie & Walker,  
P.C.

(57) **CLAIM**

The ornamental design for a couple's chair, as shown and  
described.

**DESCRIPTION**

FIG. 1 is a perspective view of the couple's chair of the  
present invention;

FIG. 2 is a front view thereof; the rear view being a mirror  
image;

FIG. 3 is an alternate front view showing the backrest in an  
alternate position; the rear view being a mirror image;

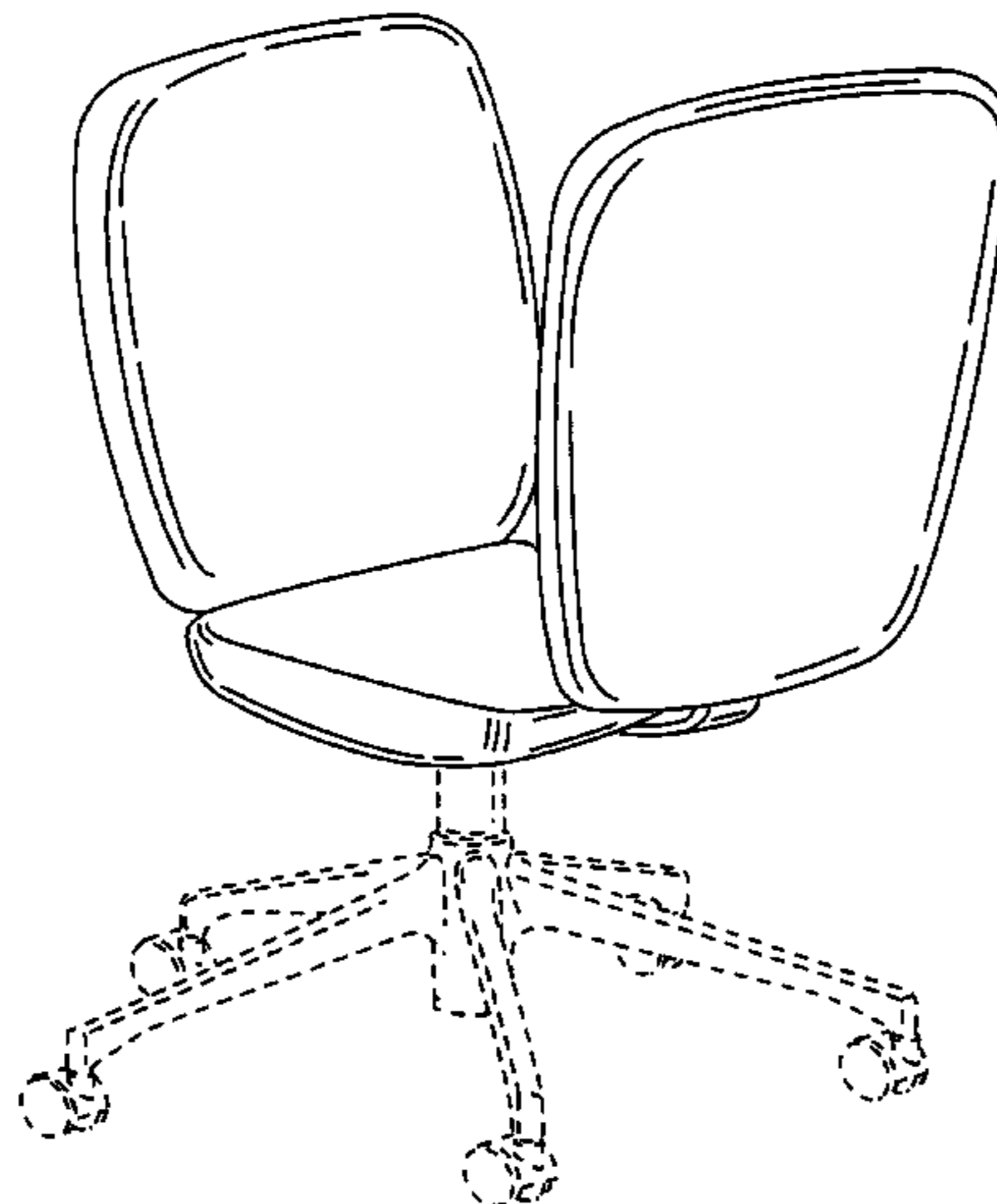
FIG. 4 is a left side view thereof; the right side view being a  
mirror image;

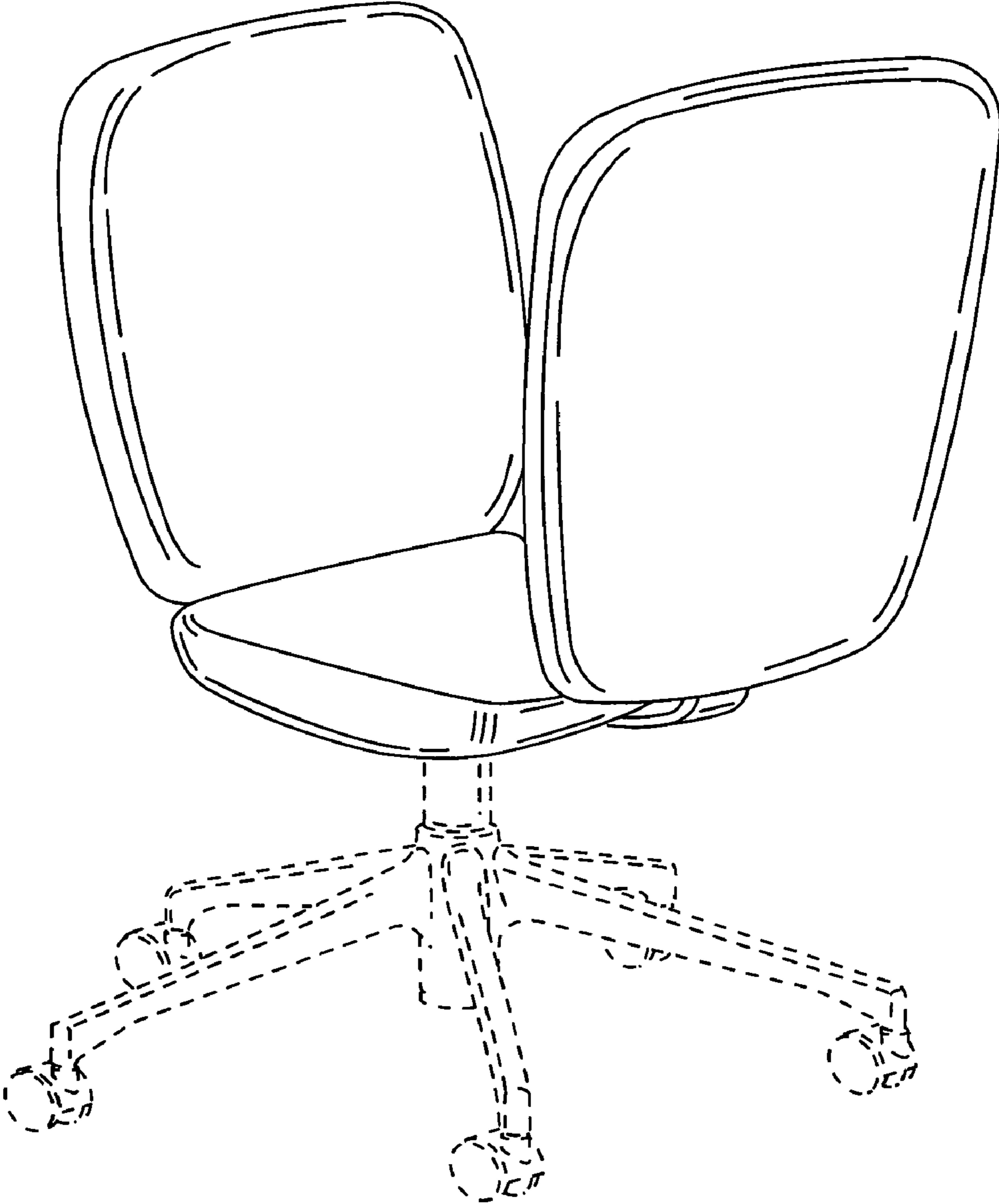
FIG. 5 is a top view thereof; and,

FIG. 6 is a bottom view thereof.

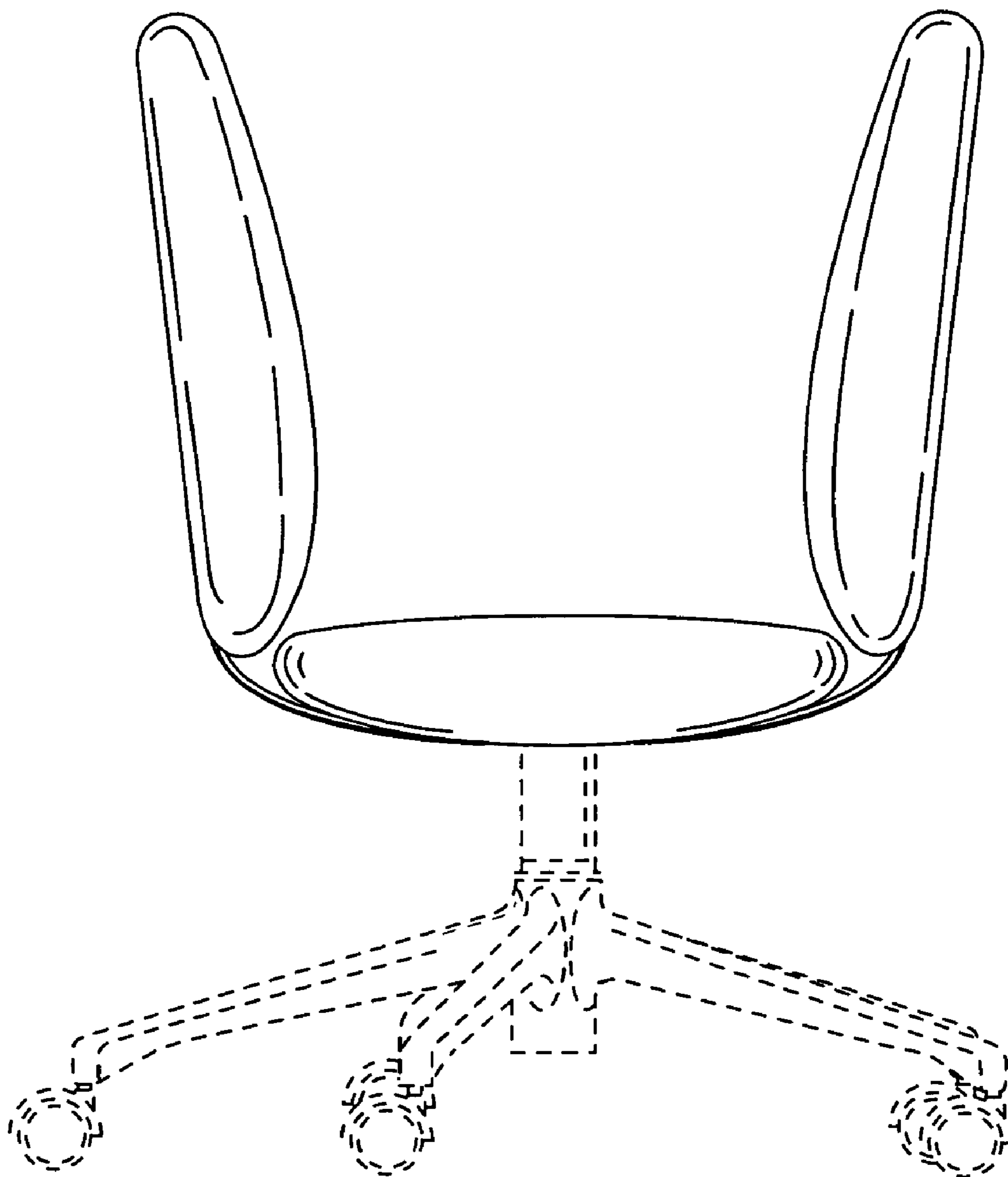
The broken lines shown in the drawings are for illustrative  
purposes only and form no part of the claimed design.

**1 Claim, 5 Drawing Sheets**

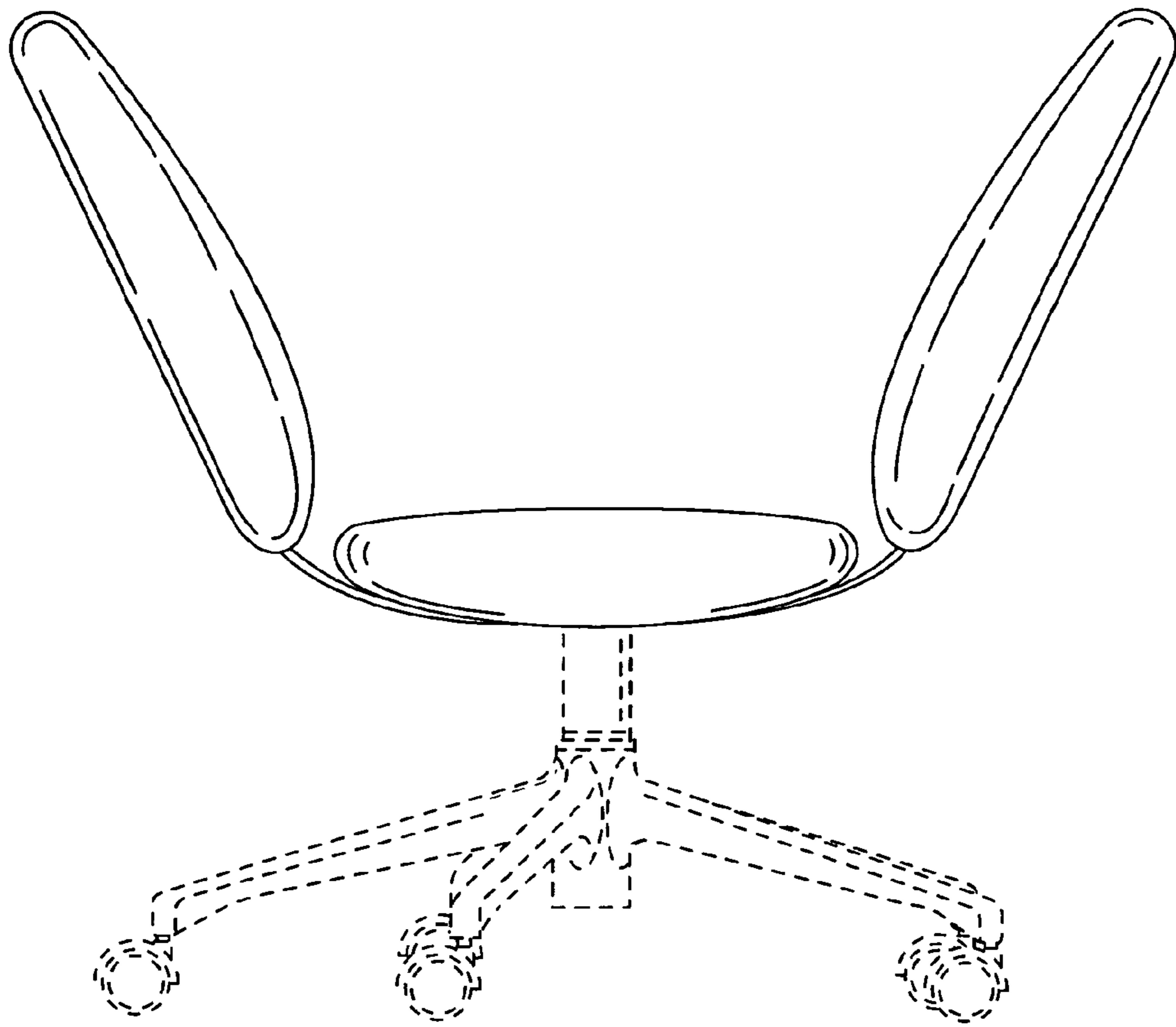




*Fig. 1*



*Fig. 2*



*Fig. 3*

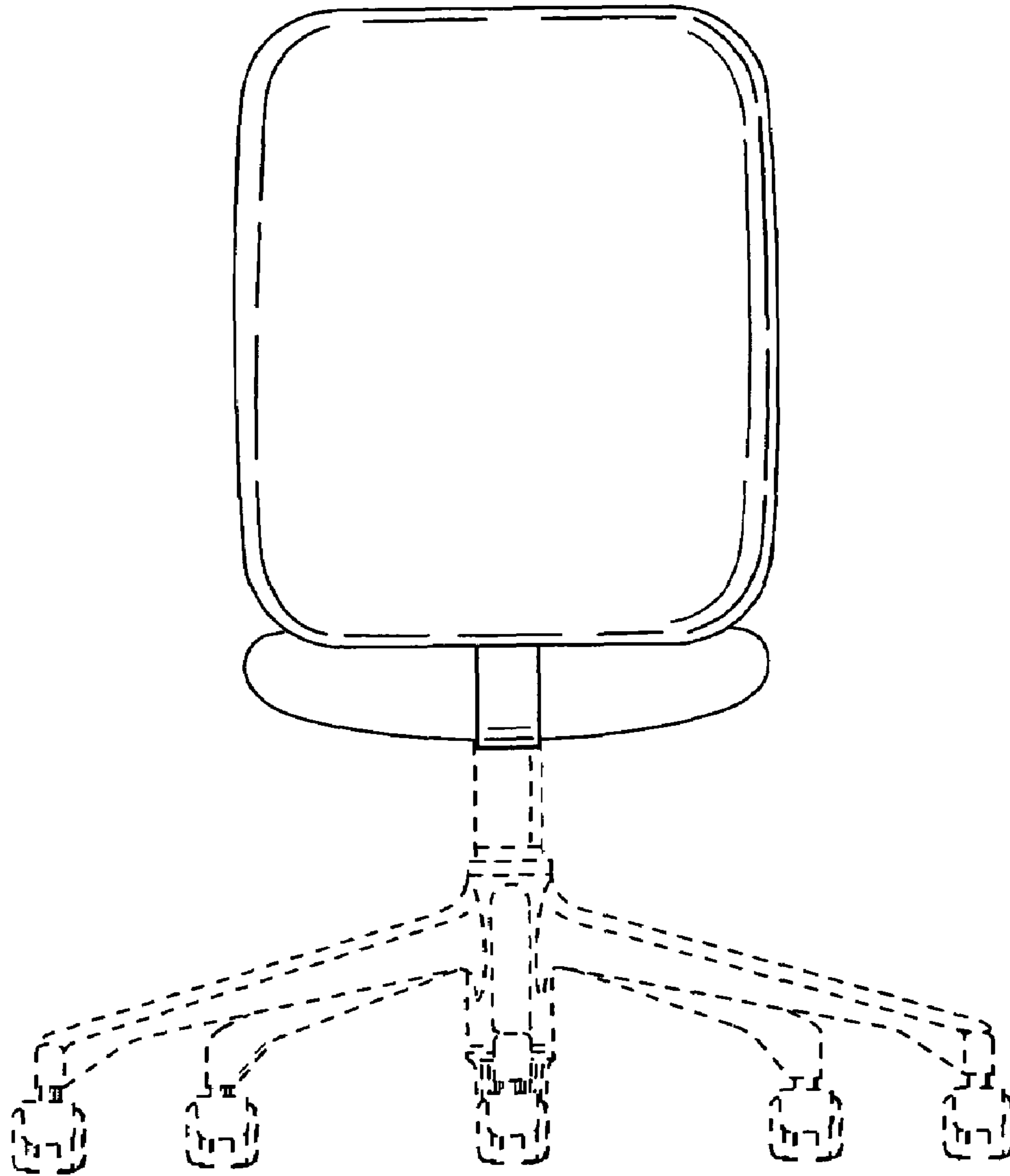
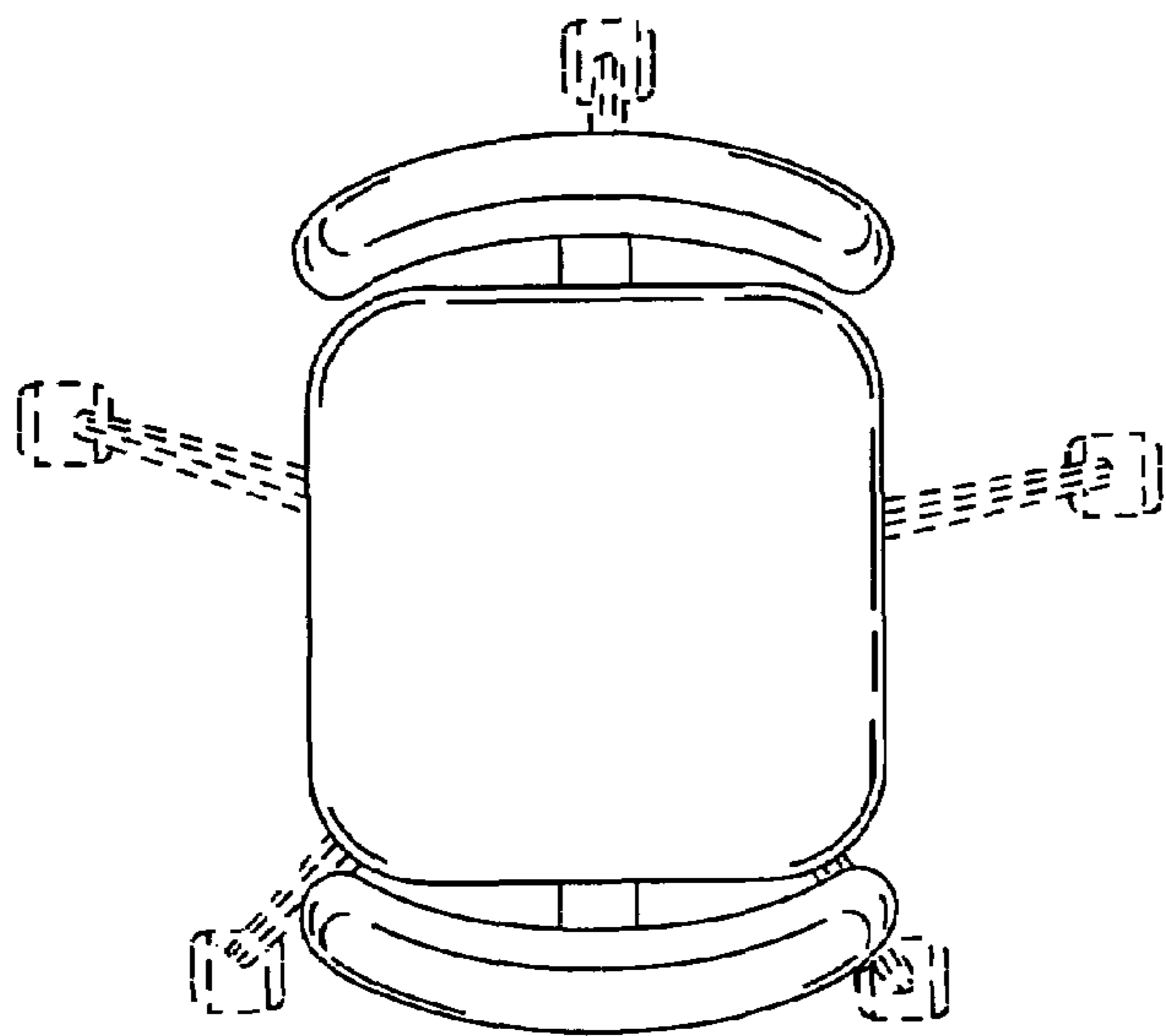
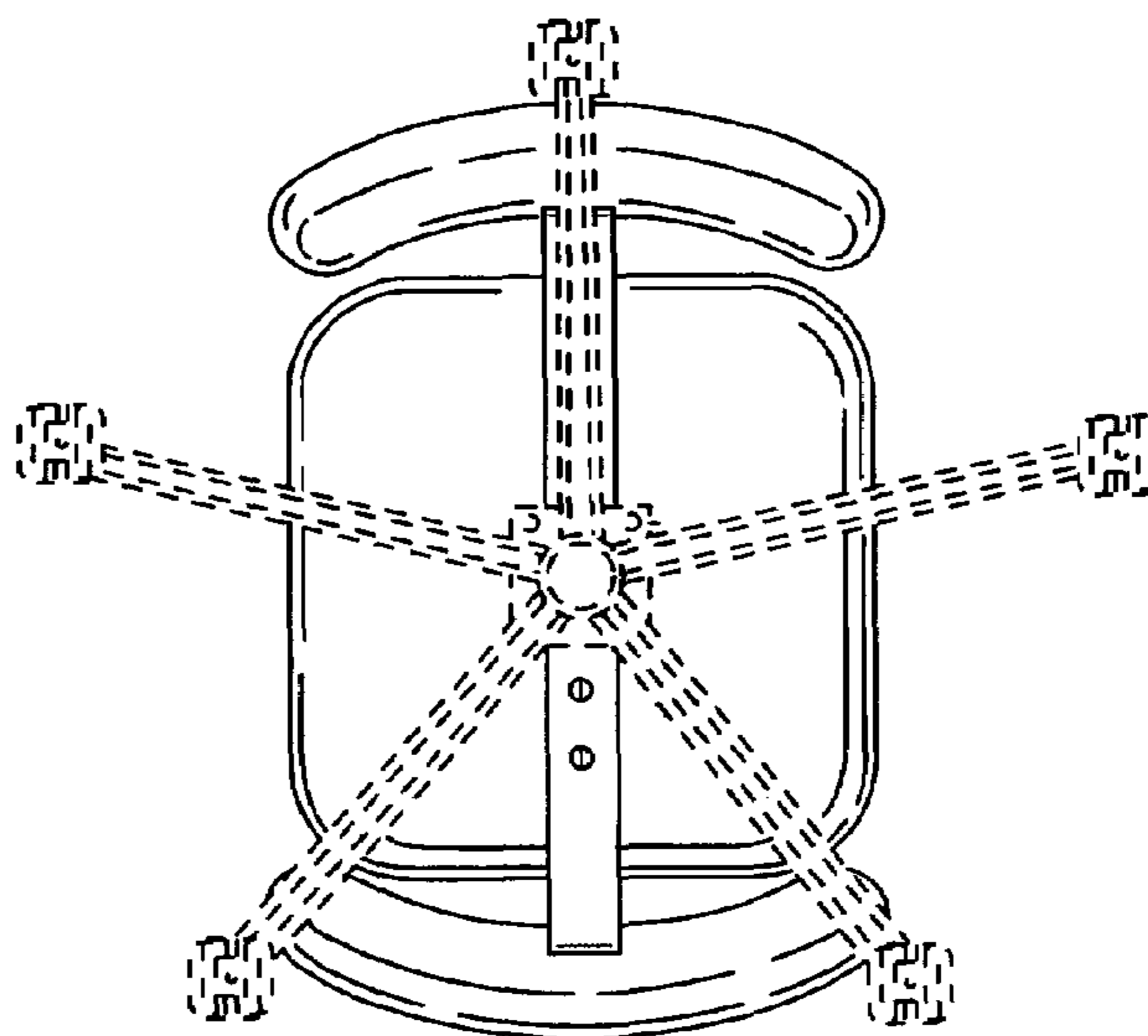


Fig. 4



*Fig. 5*



*Fig. 6*