



US00D598203S

(12) **United States Design Patent**
McNeil et al.

(10) **Patent No.:** **US D598,203 S**

(45) **Date of Patent:** **** Aug. 18, 2009**

(54) **DUSTPAN BRUSH**

(75) Inventors: **Meghan L. McNeil**, Grand Rapids, MI (US); **Douglas J. Medema**, Belding, MI (US)

(73) Assignee: **Bissell Homecare, Inc.**, Grand Rapids, MI (US)

(**) Term: **14 Years**

(21) Appl. No.: **29/327,884**

(22) Filed: **Nov. 14, 2008**

(51) **LOC (9) Cl.** **04-01**

(52) **U.S. Cl.** **D4/138; D4/134**

(58) **Field of Classification Search** D4/116, D4/117, 132-134, 136-138; D32/74; 15/143.1, 15/159.1, 160, 186-188; 132/120, 121, 313
See application file for complete search history.

(56) **References Cited**

U.S. PATENT DOCUMENTS

1,637,083 A * 7/1927 Meltzer 132/120
D263,096 S * 2/1982 Wachtel D4/136
D427,776 S * 7/2000 Chan et al. D4/134
D476,160 S * 6/2003 Choi D4/121

OTHER PUBLICATIONS

GB 2102611 Registered Design (C. C. Hansen (UK) Ltd) Aug. 22, 2001, [online], [retrieved on Mar. 27, 2009]. Retrieved from the Design Database of the United Kingdom Intellectual Property Office using the Internet <URL: http://www.ipo.gov.uk>.*

GB 3023784 Registered Design (Charles Bentley & Son Ltd) May 17, 2006, [online], [retrieved on Mar. 27, 2009]. Retrieved from the

Design Database of the United Kingdom Intellectual Property Office using the Internet: <URL: http://www.ipo.gov.uk>.*
DM/061472 Registered Design (EMSA Holding AG) Nov. 30, 2002, [online], [retrieved on Mar. 27, 2009]. Retrieved from the Hague Express Database of the WIPO Intellectual Property Digital Library using the Internet: <URL: http://www.wipo.int/ipdl>.*
DM/061979 Registered Design (PDC Brush Société Anonyme) Dec. 31, 2002, [online], [retrieved on Mar. 27, 2009]. Retrieved from the the Hague Express Database of the WIPO Intellectual Property Digital Library using the Internet: <URL: http://www.wipo.int/ipdl>.*

* cited by examiner

Primary Examiner—Melanie H Tung

Assistant Examiner—Lavone D Tabor

(74) *Attorney, Agent, or Firm*—McGarry Bair PC

(57) **CLAIM**

The ornamental design for a dustpan brush, as shown and described.

DESCRIPTION

FIG. 1 is a front right side perspective view of a dustpan brush which embodies our design;

FIG. 2 is a front view thereof;

FIG. 3 is a rear view thereof;

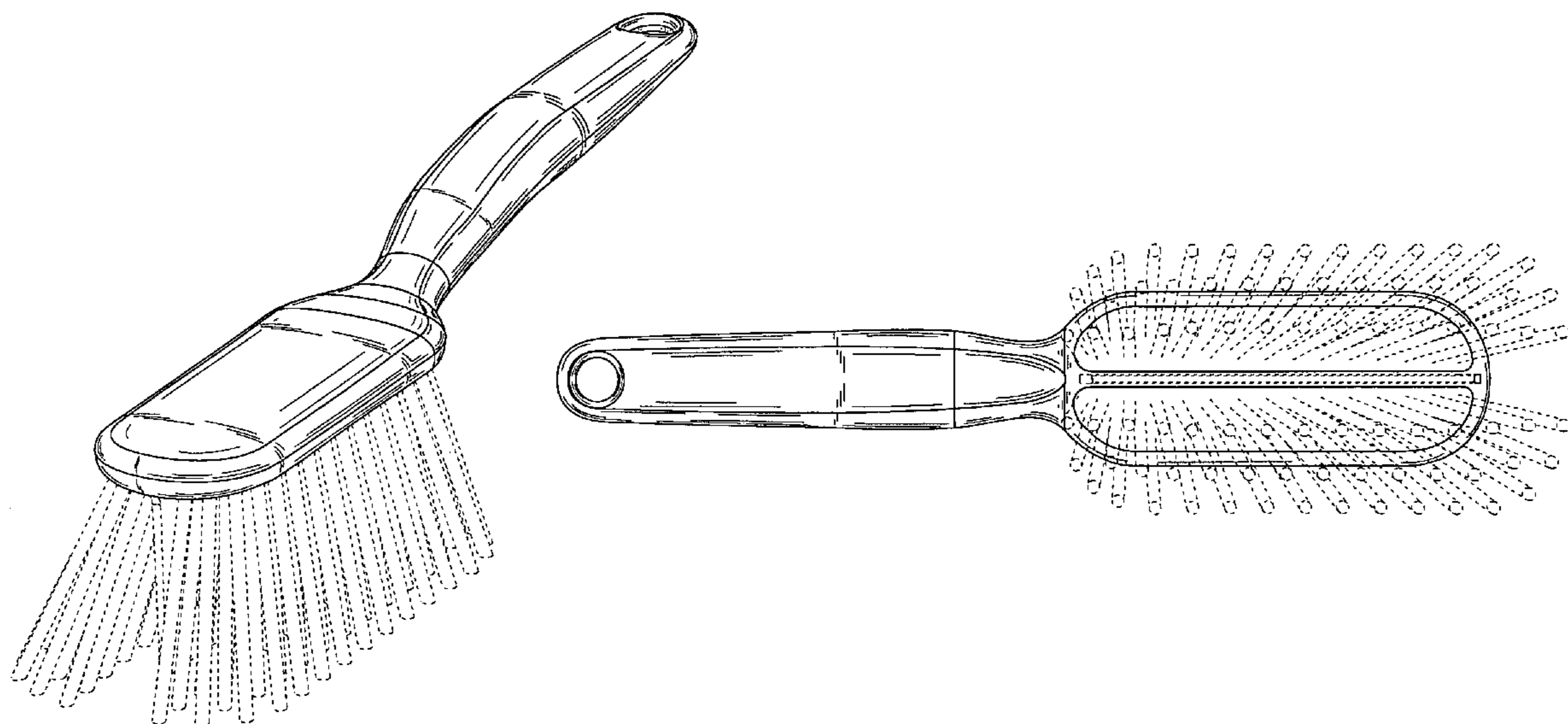
FIG. 4 is a left side view, the right side view being a mirror image thereof;

FIG. 5 is a top view thereof; and,

FIG. 6 is a bottom view thereof.

The material in dotted lines forms no part of our design.

1 Claim, 3 Drawing Sheets



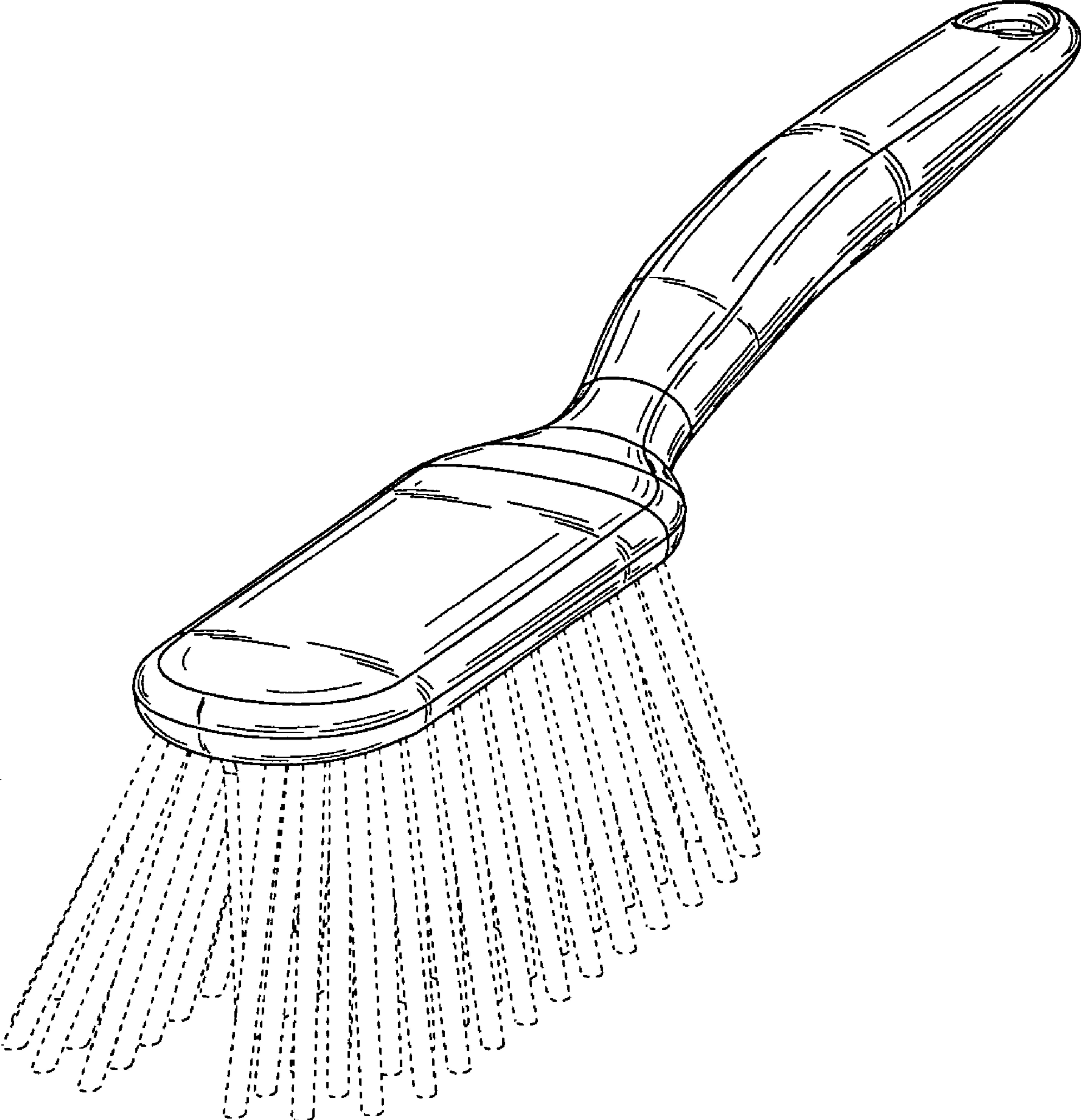


Fig. 1

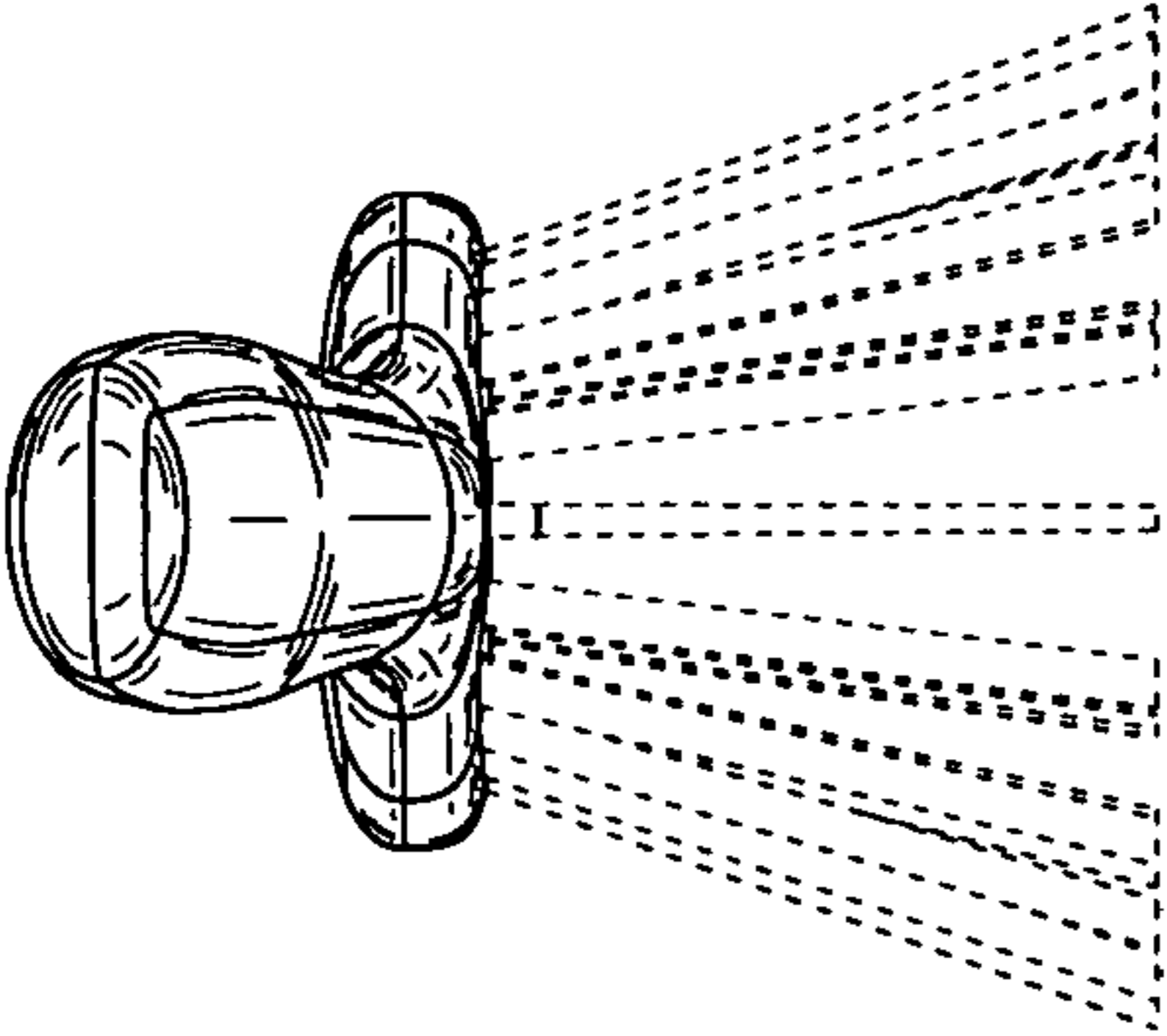


Fig. 2

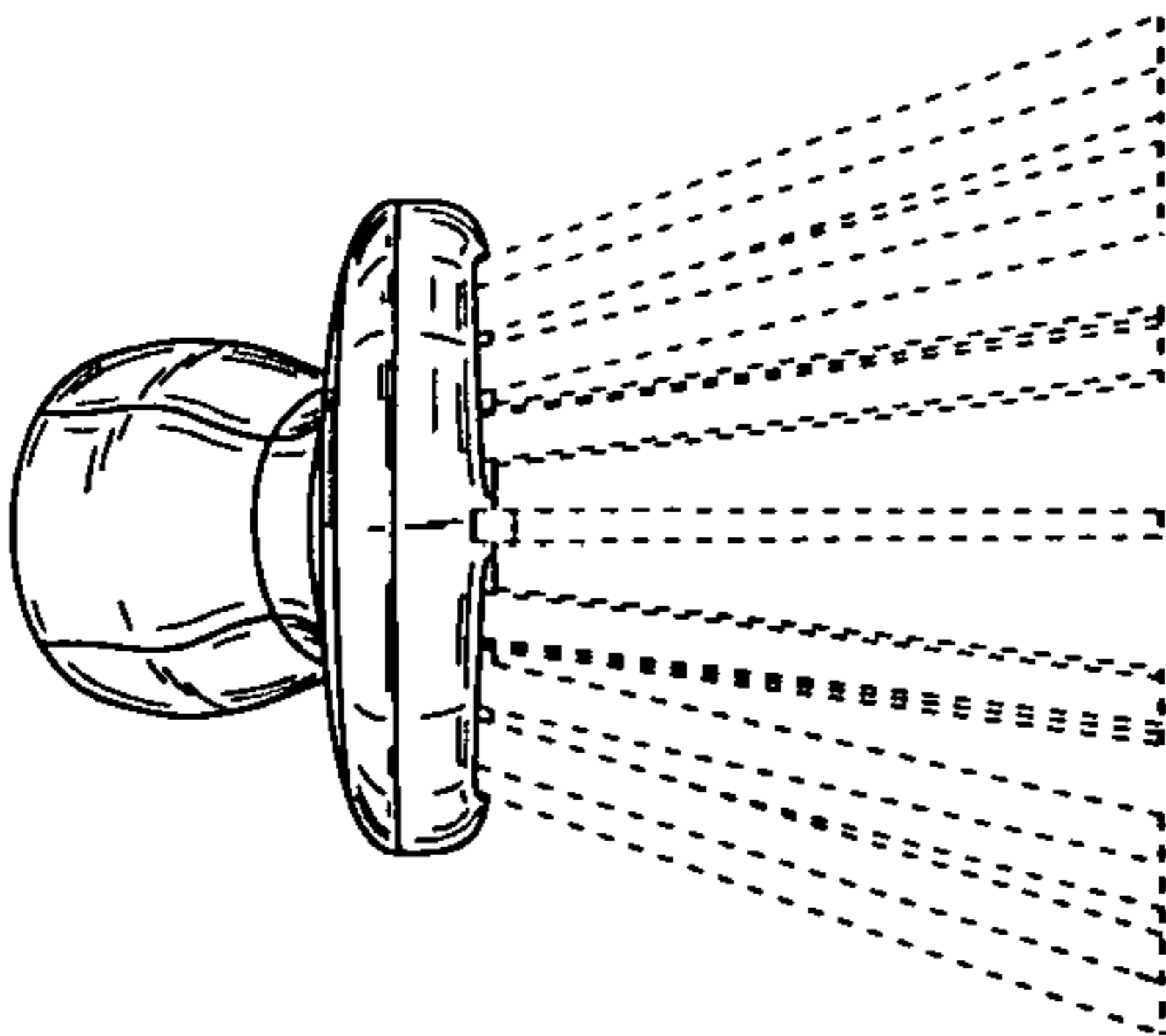


Fig. 3

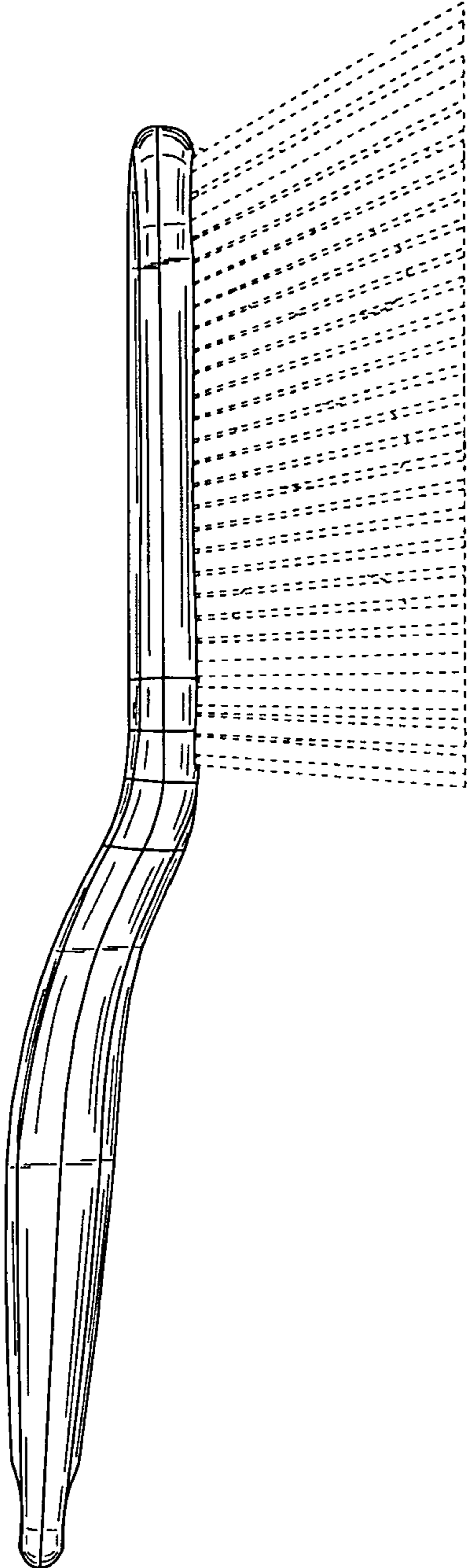


Fig. 4

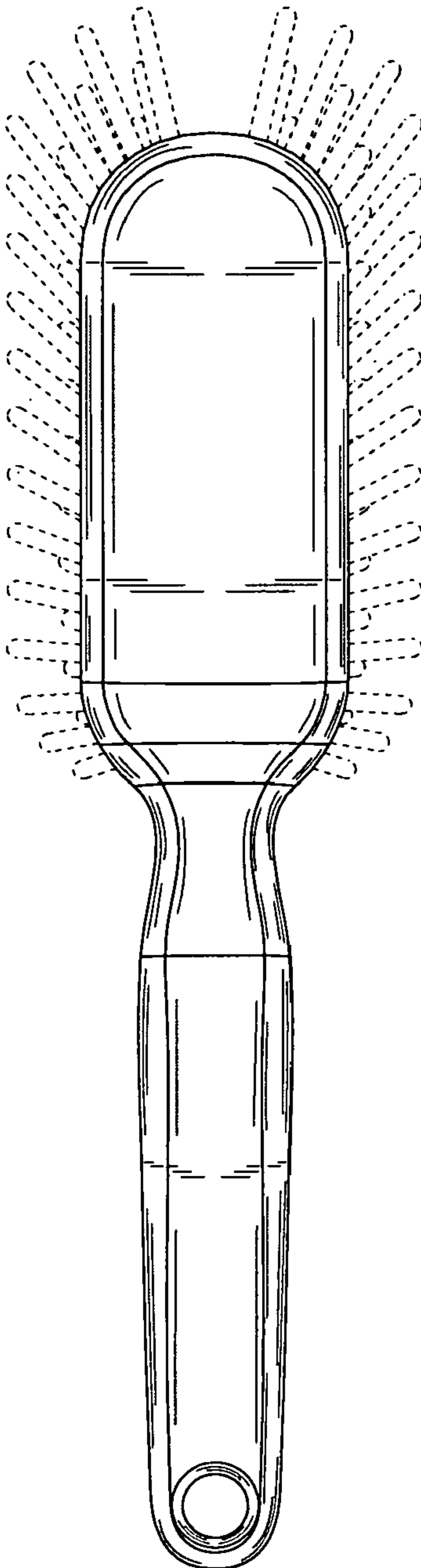


Fig. 5

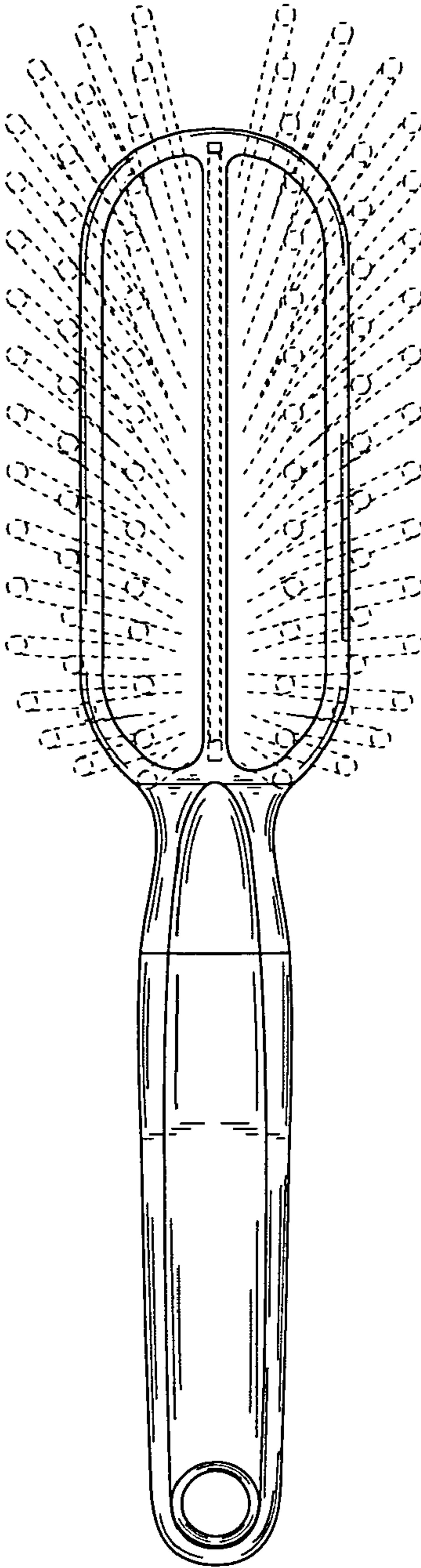


Fig. 6