



US00D598202S

(12) **United States Design Patent**
McNeil et al.

(10) **Patent No.:** **US D598,202 S**

(45) **Date of Patent:** **** Aug. 18, 2009**

(54) **DISH BRUSH**

(75) Inventors: **Meghan L. McNeil**, Grand Rapids, MI (US); **Douglas J. Medema**, Belding, MI (US)

(73) Assignee: **Bissell Homecare, Inc.**, Grand Rapids, MI (US)

(**) Term: **14 Years**

(21) Appl. No.: **29/327,880**

(22) Filed: **Nov. 14, 2008**

(51) **LOC (9) Cl.** **04-01**

(52) **U.S. Cl.** **D4/138; D4/132**

(58) **Field of Classification Search** D4/118,
D4/132-134, 136-138; D28/63; D32/51;
15/143.1, 159.1, 160, 186-188

See application file for complete search history.

(56) **References Cited**

U.S. PATENT DOCUMENTS

D227,826 S *	7/1973	Lindbo	D4/133
D344,634 S *	3/1994	Berti	D4/138
D371,002 S *	6/1996	Berti	D4/138
D501,325 S *	2/2005	Berti	D4/138
D575,526 S *	8/2008	Libman et al.	D4/138

OTHER PUBLICATIONS

AU 154763 S Registered Design (The Decor Corporation Pty Ltd) Mar. 2, 2004, [online], [retrieved on Mar. 27, 2009]. Retrieved from the Design Database of the Australian Government IP Australia using the Internet: <URL: http://www.ipaustralia.gov.au>.*

* cited by examiner

Primary Examiner—Melanie H Tung

Assistant Examiner—Lavone D Tabor

(74) *Attorney, Agent, or Firm*—McGarry Bair PC

(57) **CLAIM**

The ornamental design for a dish brush, as shown and described.

DESCRIPTION

FIG. 1 is a front right side perspective view of a dish brush which embodies our design;

FIG. 2 is a front view thereof;

FIG. 3 is a rear view thereof;

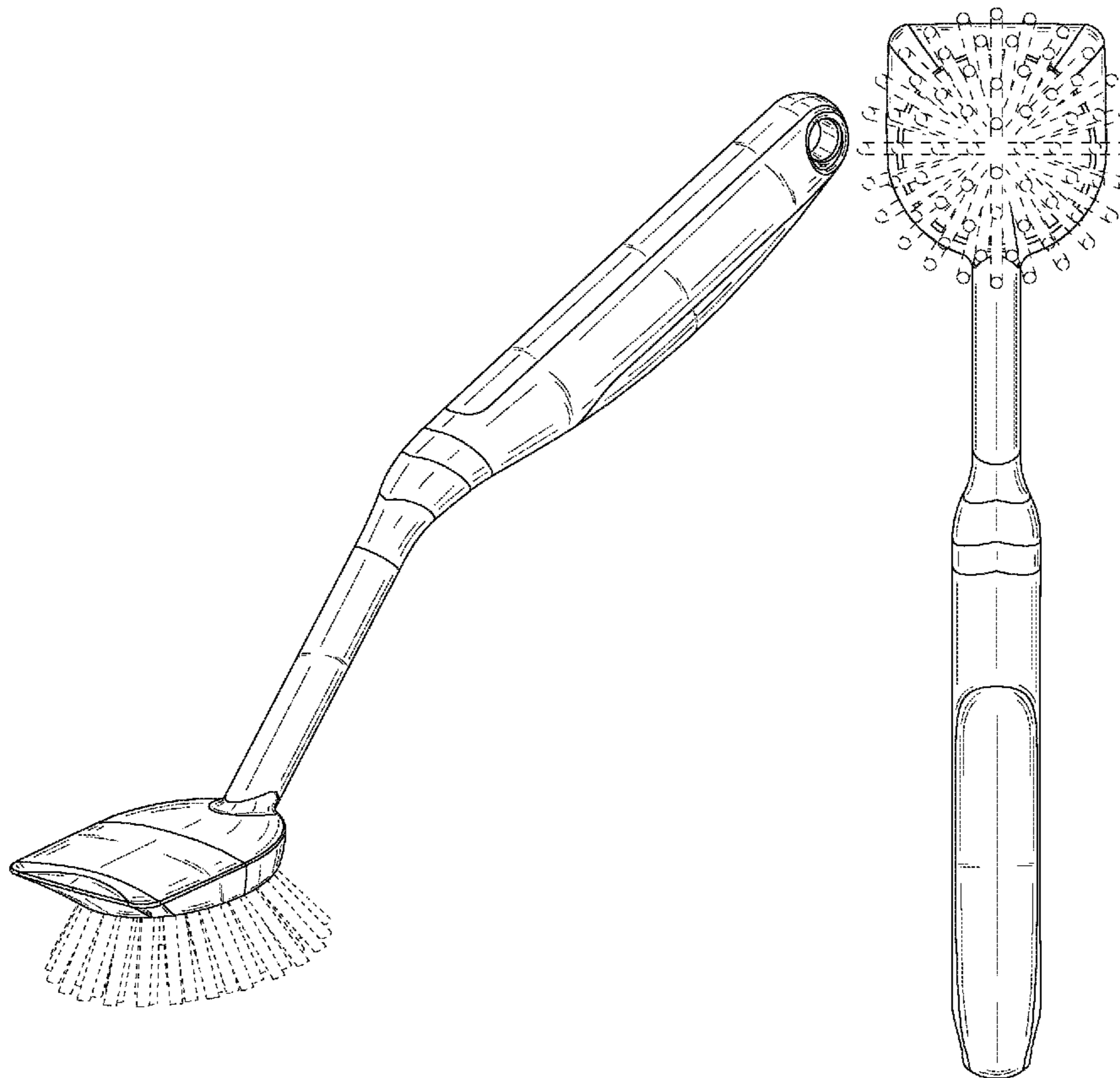
FIG. 4 is a right side view, the left side view being a mirror image thereof;

FIG. 5 is a top view thereof; and,

FIG. 6 is a bottom view thereof.

The material in dotted lines forms no part of our design.

1 Claim, 3 Drawing Sheets



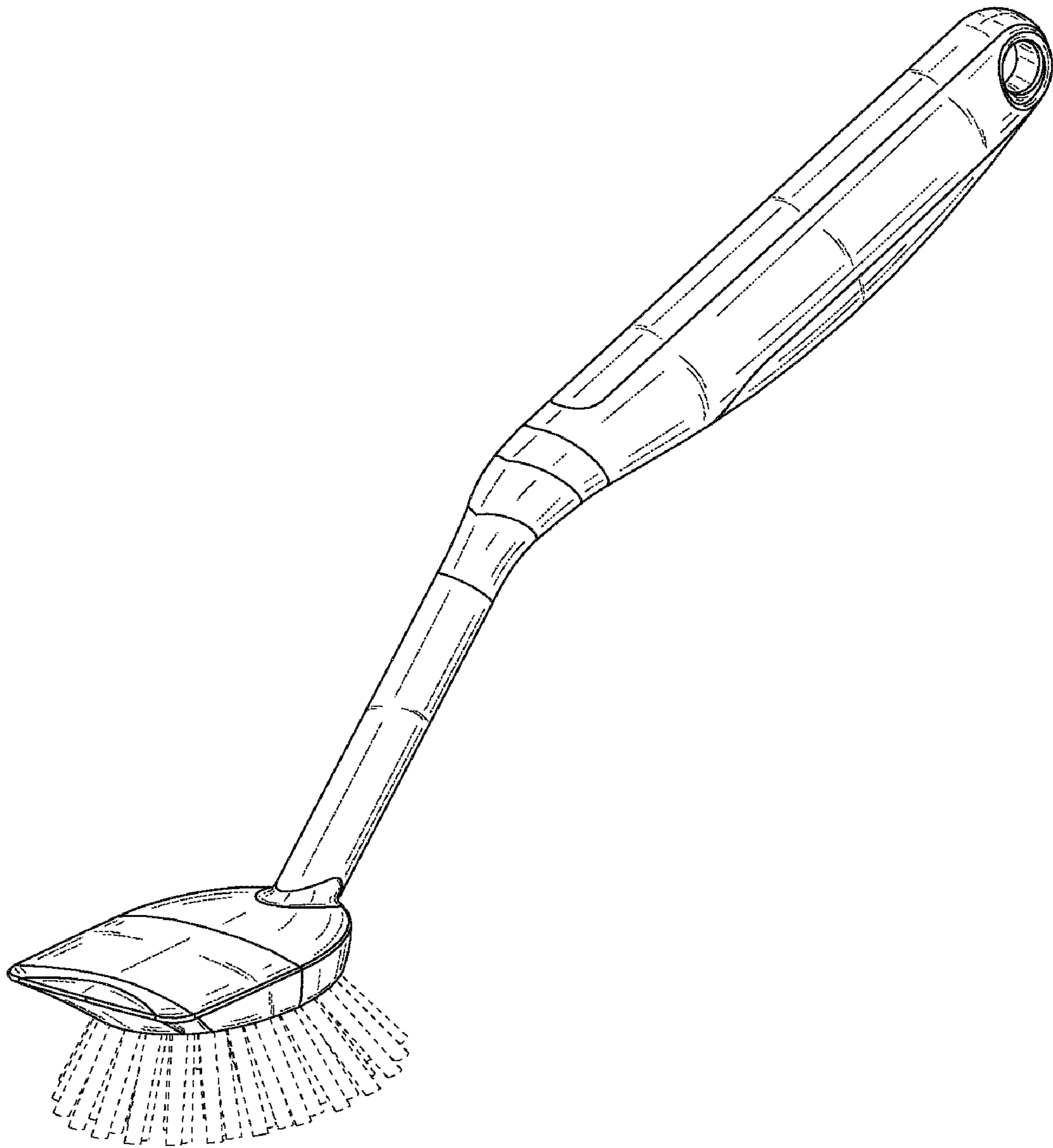


Fig. 1

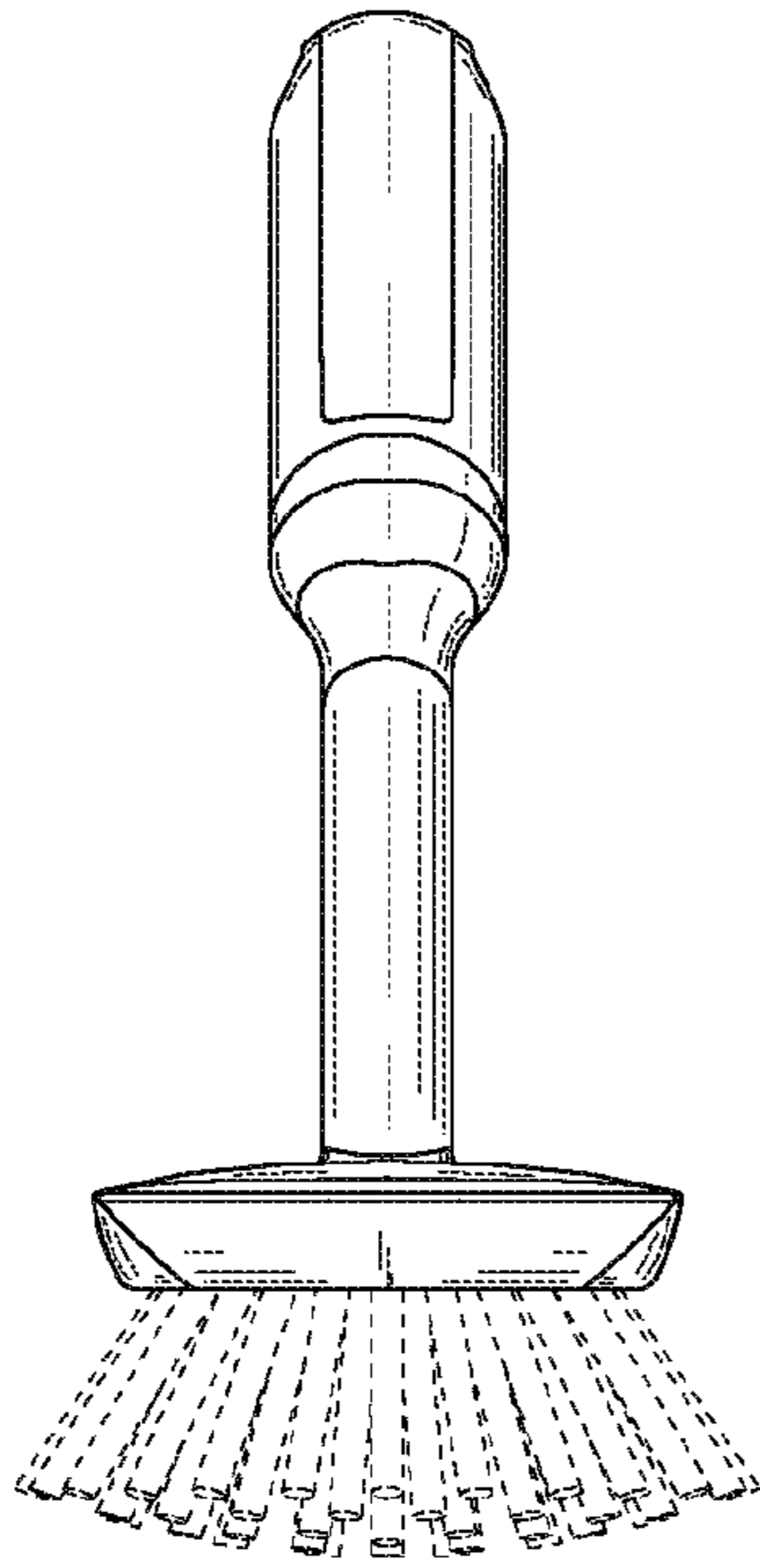


Fig. 2

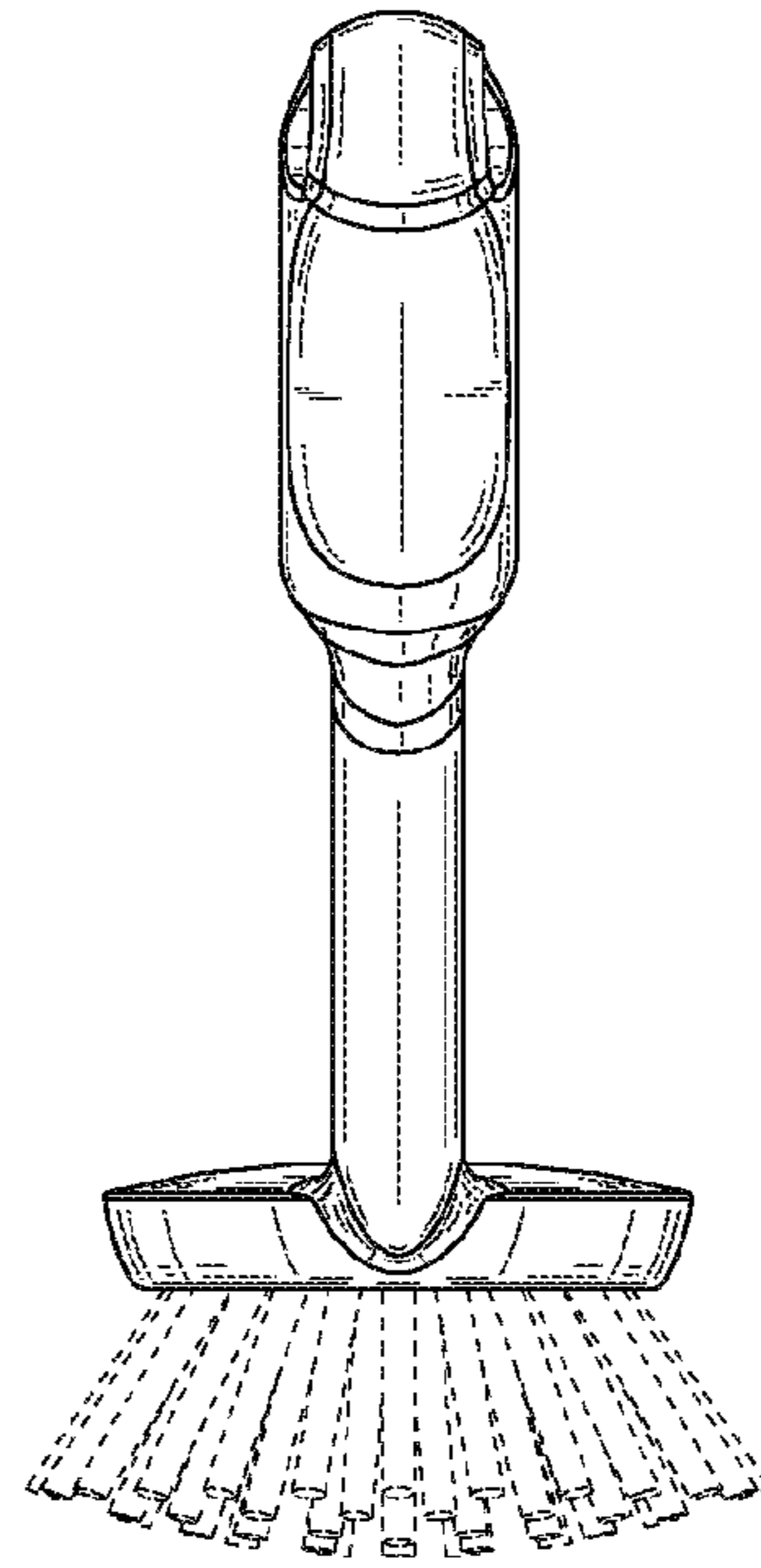


Fig. 3

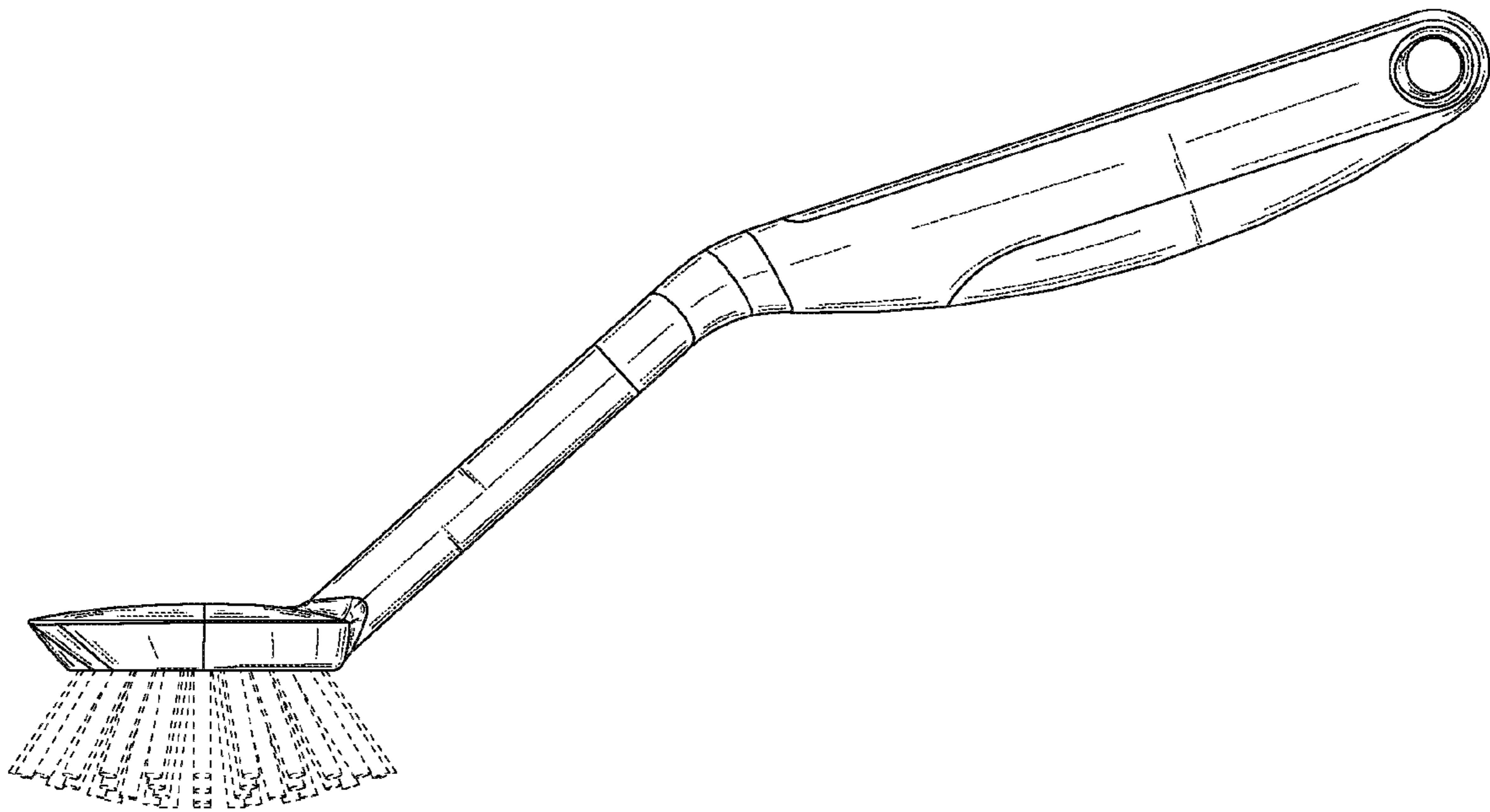


Fig. 4

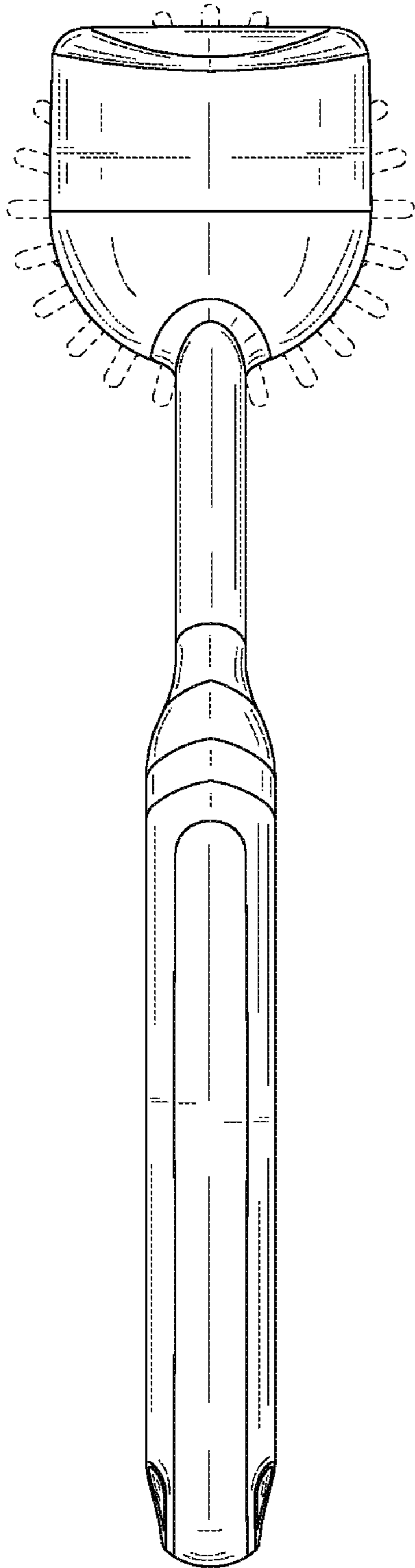


Fig. 5

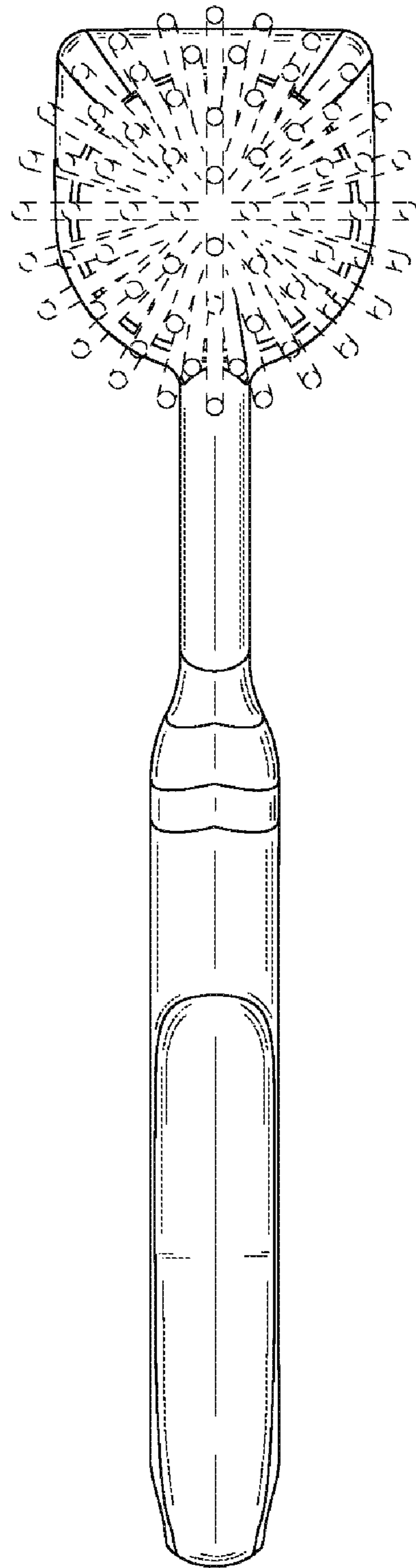


Fig. 6