



US00D598201S

(12) **United States Design Patent**
Benson et al.

(10) **Patent No.:** **US D598,201 S**

(45) **Date of Patent:** **** Aug. 18, 2009**

(54) **CLEANING TOOL**

(75) Inventors: **Shaelyn D. Benson**, St. Paul, MN (US);
Byron E. Trotter, St. Paul, MN (US);
Lloyd S. Vasilakes, Stillwater, MN (US);
Ivana Babic, Milan (IT); **Peter J.**
Newbould, Milan (IT); **Eva Natasa**,
Jawa Timur (ID)

(73) Assignee: **3M Innovative Properties Company**,
St. Paul, MN (US)

(**) Term: **14 Years**

(21) Appl. No.: **29/328,404**

(22) Filed: **Nov. 24, 2008**

(51) **LOC (9) Cl.** **04-01**

(52) **U.S. Cl.** **D4/137; D4/138**

(58) **Field of Classification Search** D4/122,
D4/133, 134, 137, 138; D32/51; 15/143.1,
15/186-188, 104.001, 104.002, 208, 210.1;
D28/7, 57, 59, 63

See application file for complete search history.

(56) **References Cited**

U.S. PATENT DOCUMENTS

D181,249 S * 10/1957 Delacretaz D32/51

D200,151 S * 1/1965 Martin D4/137
3,691,586 A * 9/1972 Krusche 15/106
4,639,965 A * 2/1987 Suzuki 15/104.002
D313,509 S * 1/1991 Ueda D4/137
6,698,626 B2 * 3/2004 McKay 222/192
D508,777 S * 8/2005 Kampel et al. D4/133
7,107,643 B1 * 9/2006 McKay 15/104.002
D575,065 S * 8/2008 Benson et al. D4/122

* cited by examiner

Primary Examiner—Melanie H Tung

Assistant Examiner—Lavone D Tabor

(74) *Attorney, Agent, or Firm*—Trisha D. Adamson

(57) **CLAIM**

The ornamental design for a cleaning tool, as shown and described.

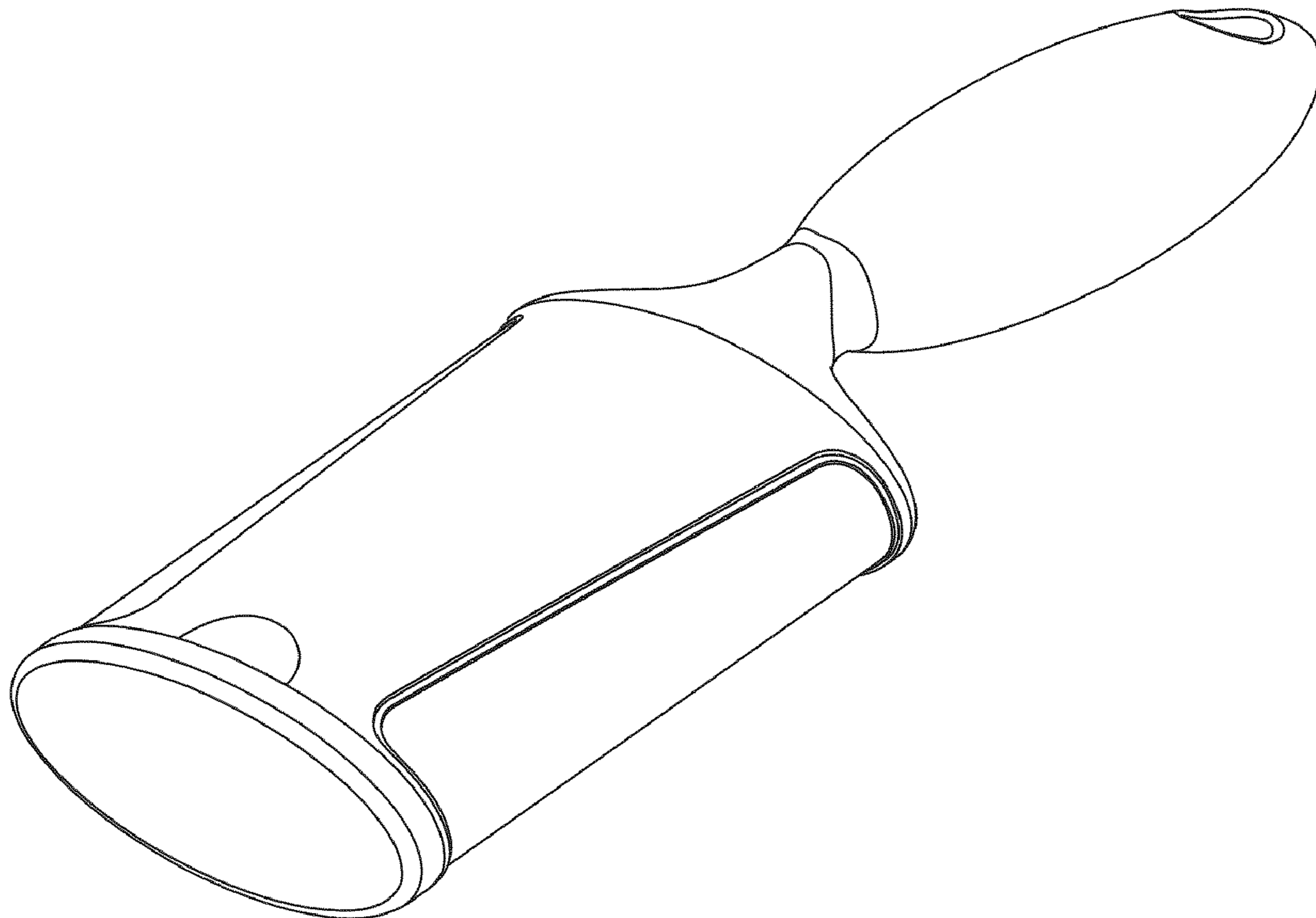
DESCRIPTION

FIG. 1 is a perspective view of for a cleaning tool;

FIG. 2 is a top view thereof; and,

FIG. 3 is a right side view thereof, the left side view being a mirror image thereof.

1 Claim, 1 Drawing Sheet



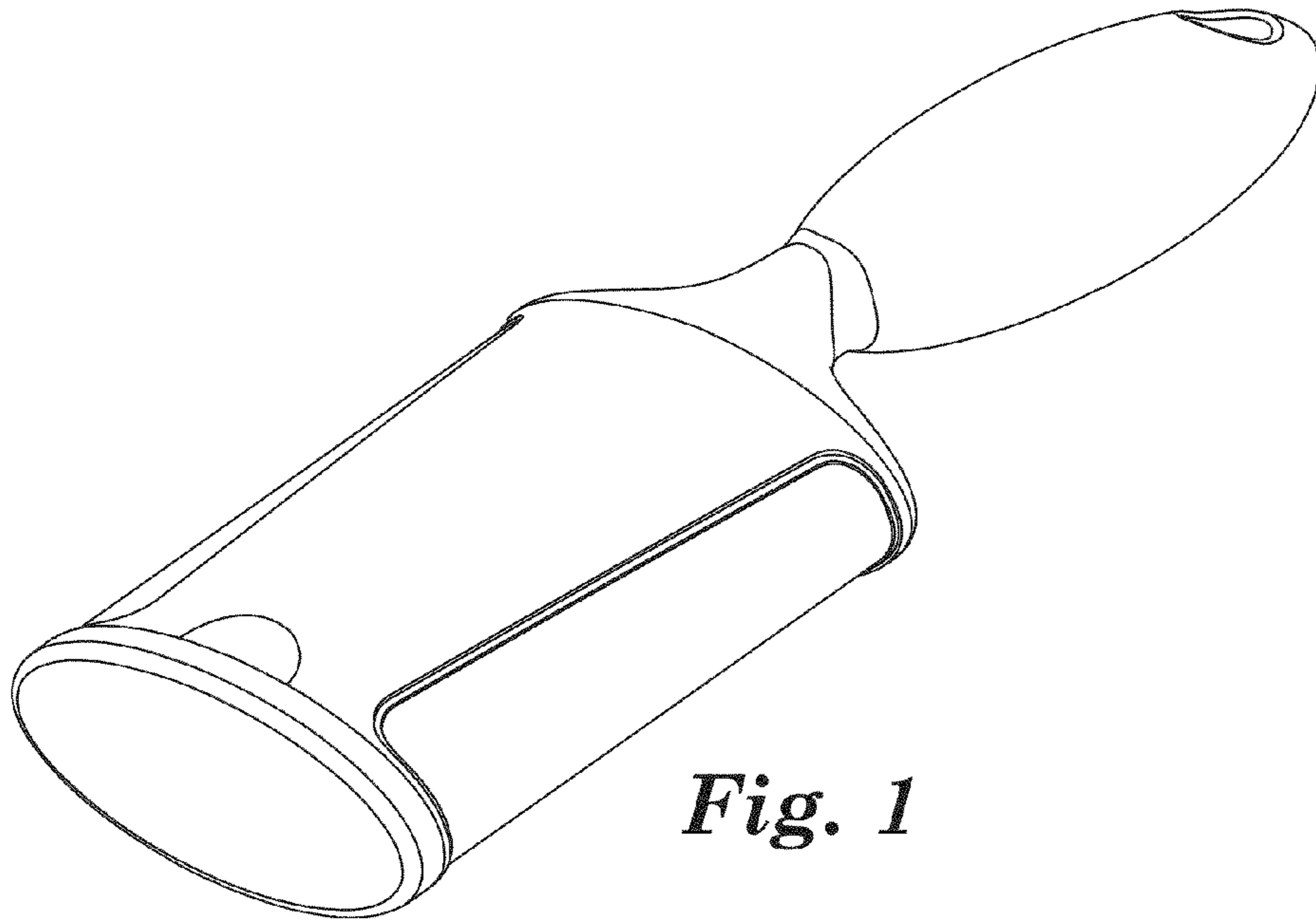


Fig. 1

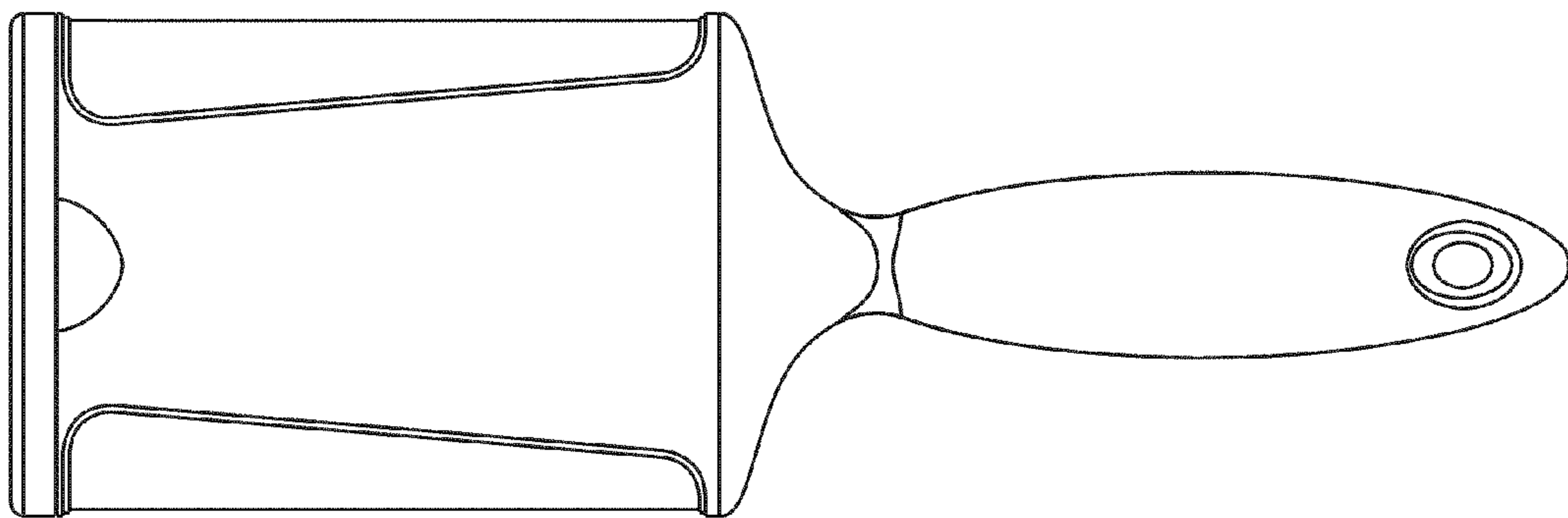


Fig. 2

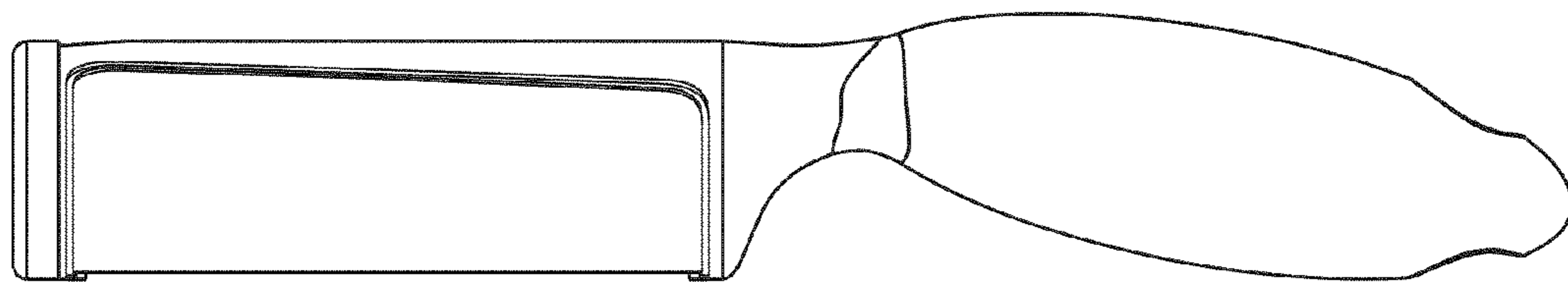


Fig. 3