



US00D598197S

(12) **United States Design Patent**
Ahlstrom

(10) **Patent No.:** **US D598,197 S**

(45) **Date of Patent:** **** Aug. 18, 2009**

(54) **LID FOR A STORAGE BOX**

D531,802 S * 11/2006 Zimmerman D3/302
D565,303 S * 4/2008 Åhman D3/323

(75) Inventor: **Joakim Ahlstrom**, Taby (SE)

* cited by examiner

(73) Assignee: **Hammarplast AB**, Tingsryd (SE)

Primary Examiner—Holly H Baynham

(**) Term: **14 Years**

(74) *Attorney, Agent, or Firm*—Birch, Stewart, Kolasch & Birch, LLP

(21) Appl. No.: **29/321,129**

(57) **CLAIM**

(22) Filed: **Jul. 11, 2008**

I claim the ornamental design for the lid for a storage box, as shown and described.

(30) **Foreign Application Priority Data**

Jan. 17, 2008 (EM) 000859749-0001

DESCRIPTION

(51) **LOC (9) Cl.** **03-01**

FIG. 1 is a perspective view showing the top side, the right side and the front of a lid for a storage box showing my new design;

(52) **U.S. Cl.** **D3/323**

(58) **Field of Classification Search** D3/323,
D3/221, 272–274, 276–279; D9/424–425,
D9/432, 435, 443, 499; 190/119; 206/508
See application file for complete search history.

FIG. 2 is a perspective view showing the underside, the right side and the front thereof;

FIG. 3 is a rear elevational view thereof;

(56) **References Cited**

U.S. PATENT DOCUMENTS

D358,328 S * 5/1995 Huerto et al. D9/435
D376,693 S * 12/1996 Wolff D3/323
D489,530 S * 5/2004 Lindsay D3/302
D514,811 S * 2/2006 Koo D3/323

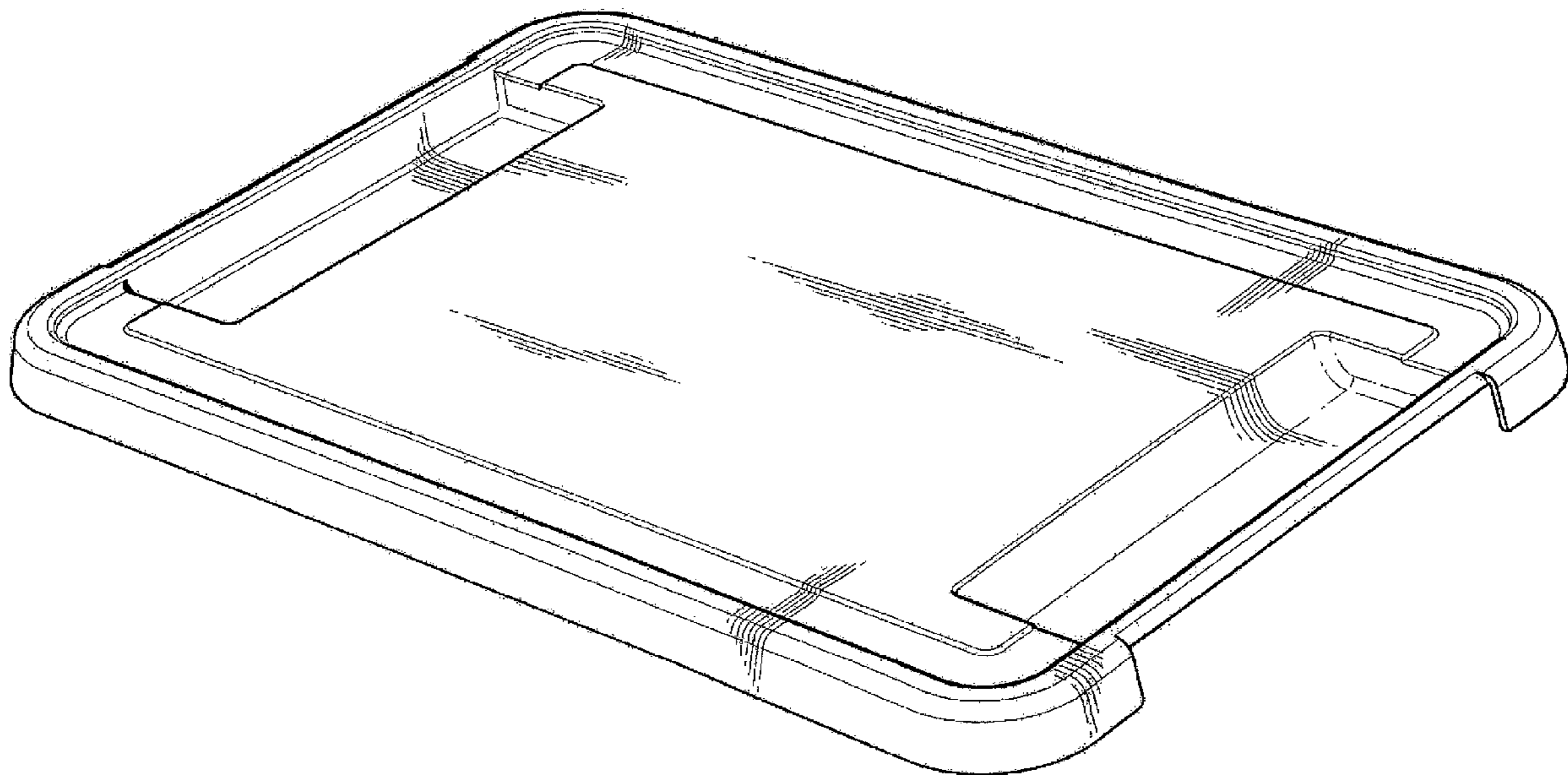
FIG. 4 is a top plan view thereof;

FIG. 5 is a front elevational view thereof;

FIG. 6 is a bottom view thereof; and,

FIG. 7 is a left elevational view thereof.

1 Claim, 7 Drawing Sheets



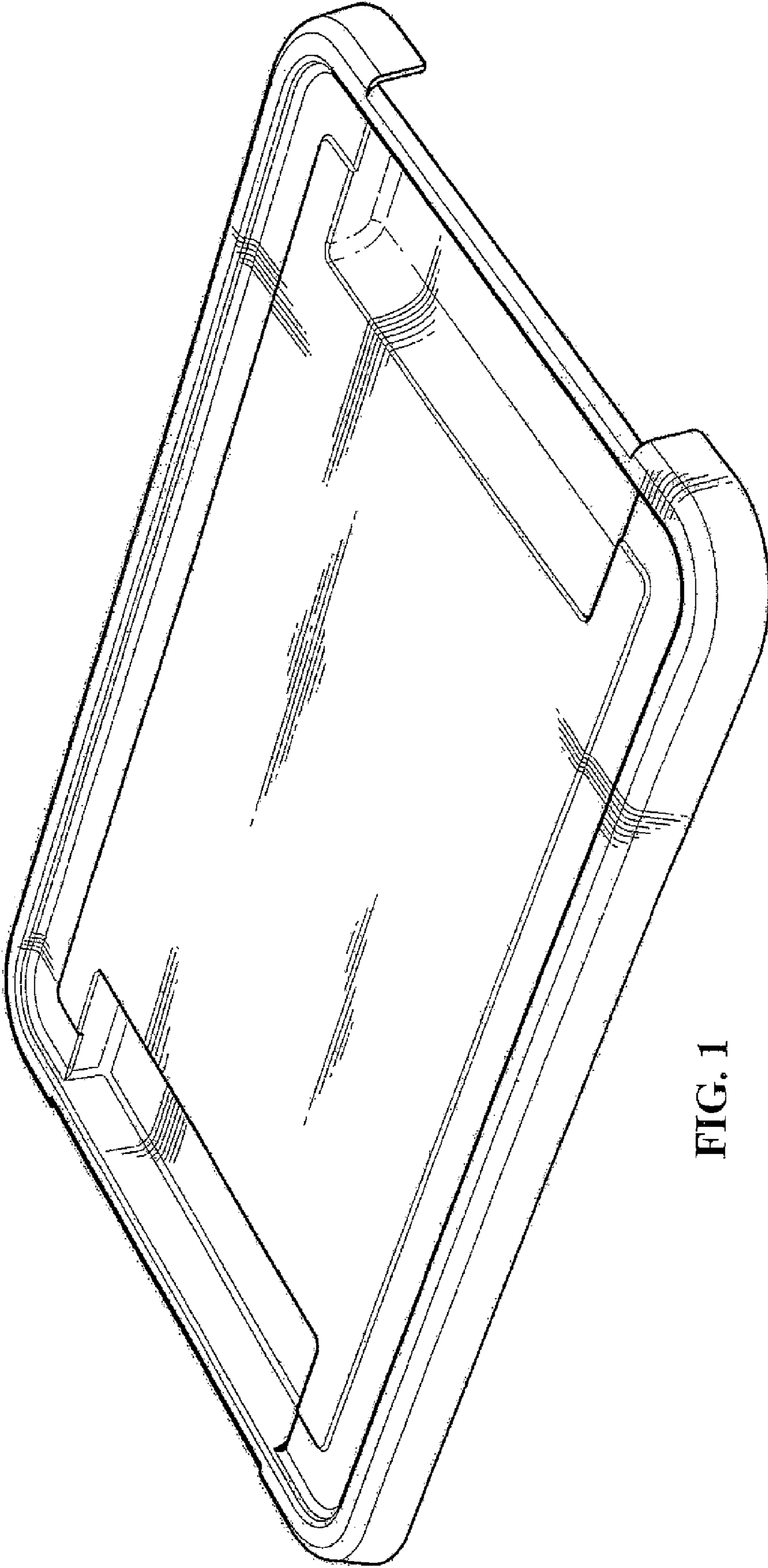


FIG. 1

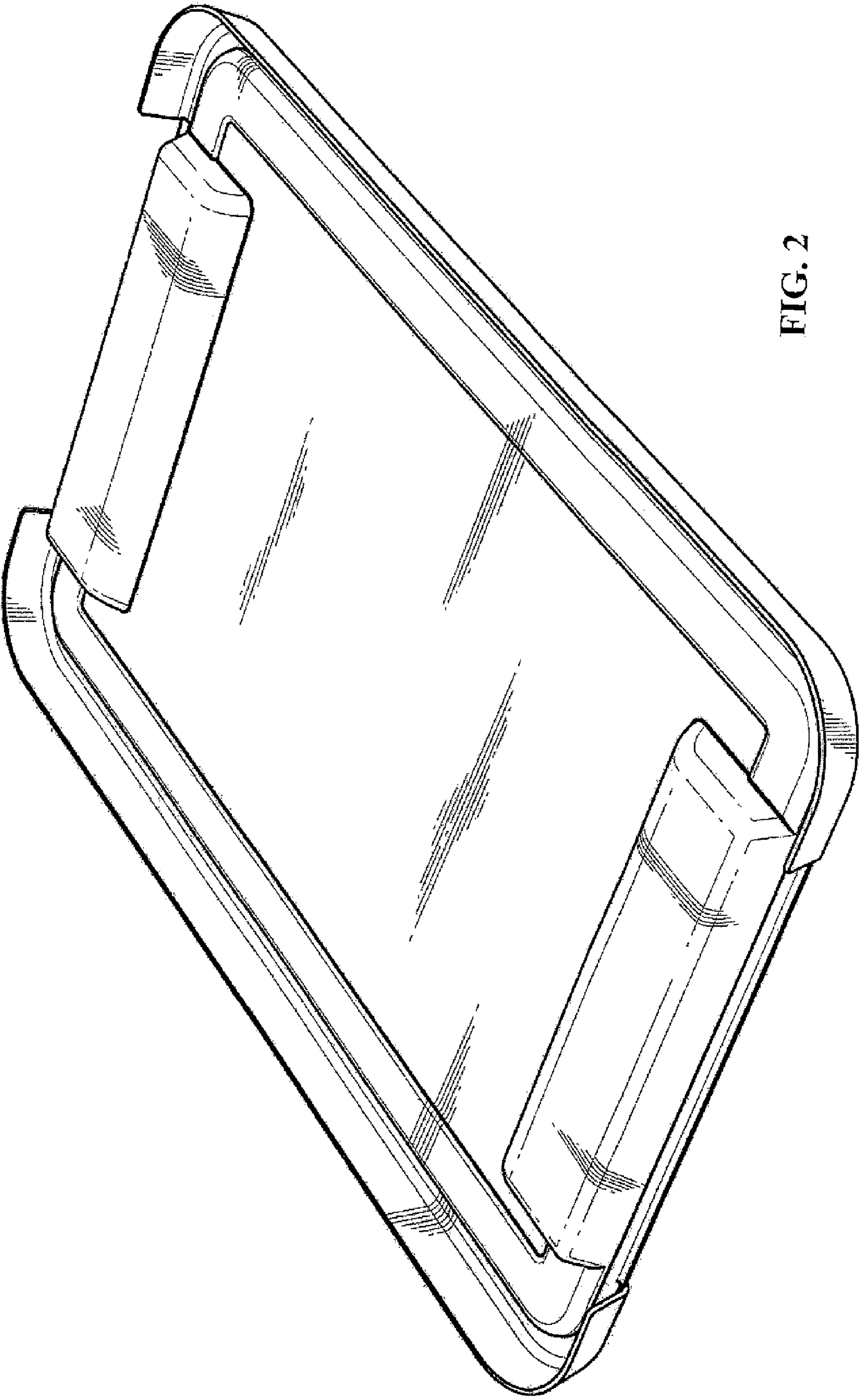


FIG. 2

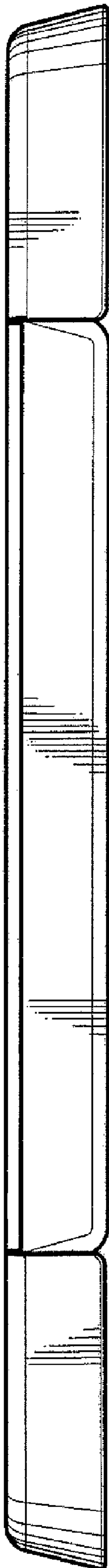


FIG. 3

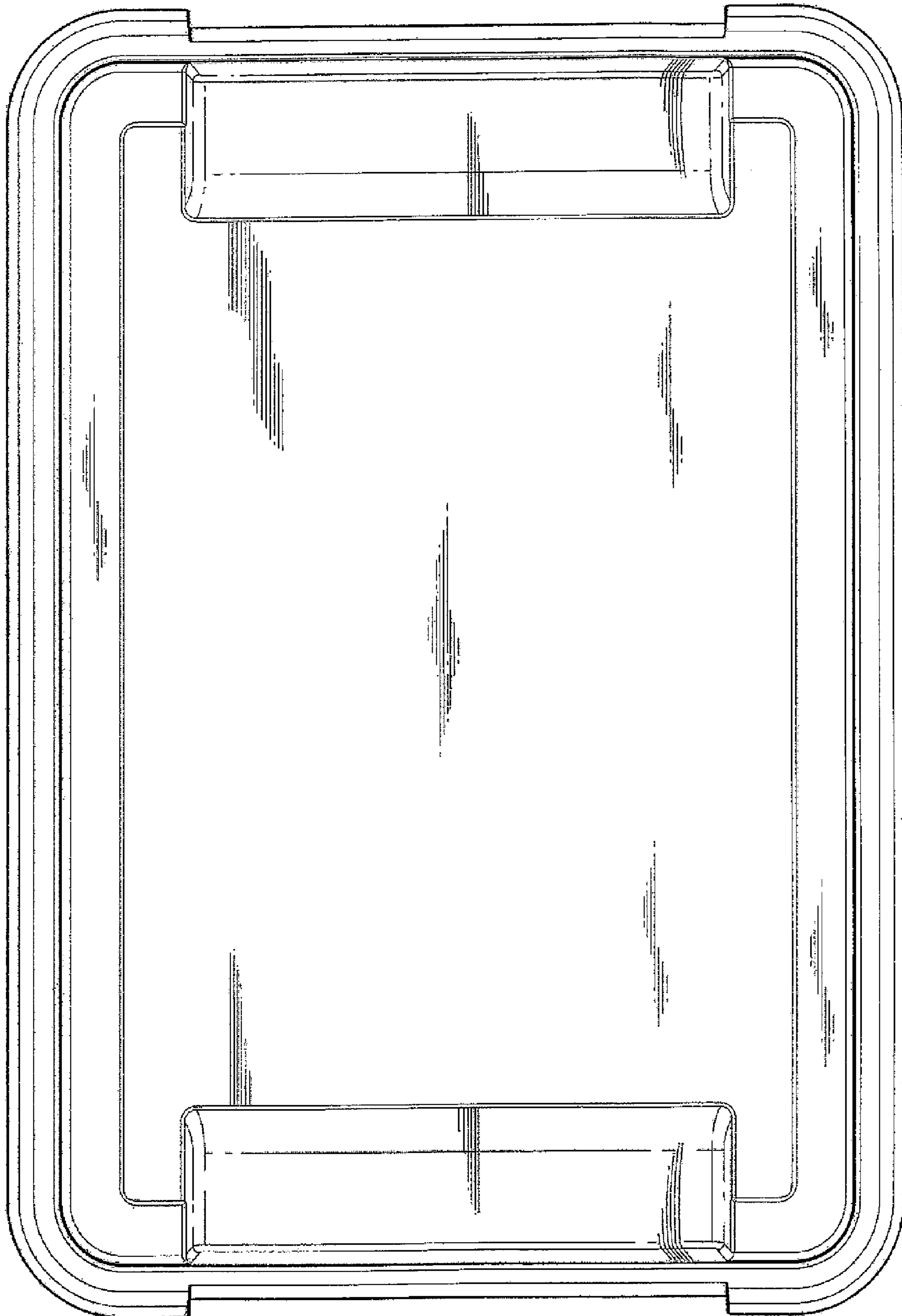


FIG. 4



FIG. 5

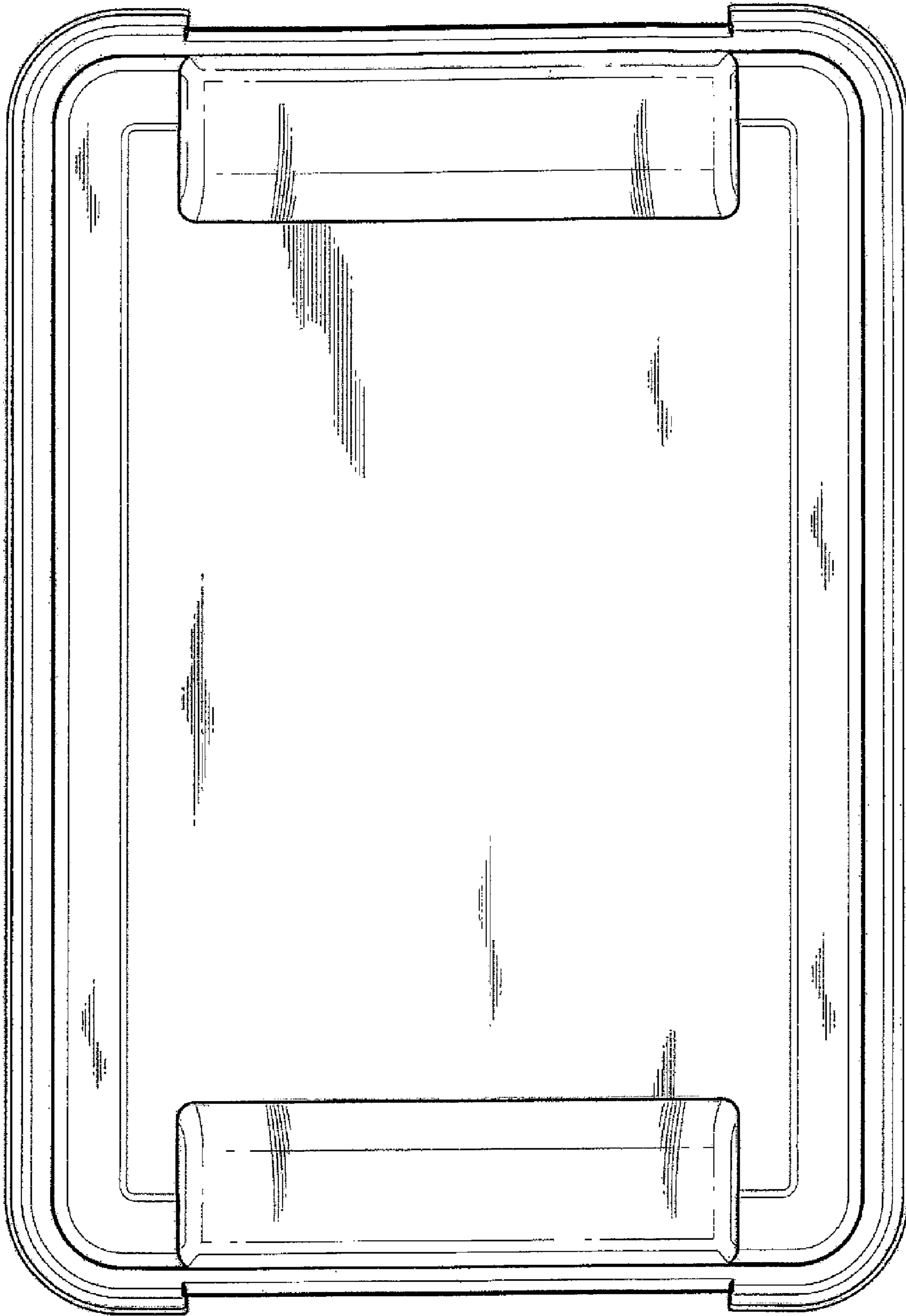


FIG. 6

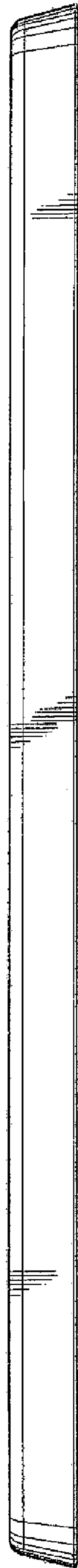


FIG. 7