



US00D598194S

(12) **United States Design Patent**
Turvey et al.

(10) **Patent No.:** **US D598,194 S**
(45) **Date of Patent:** **** Aug. 18, 2009**

(54) **FLEXIBLE CONTAINER**
(75) Inventors: **Robert R. Turvey**, Sanford, MI (US);
William E. LeBoeuf, Midland, MI (US);
Hannah E. Wilson, Mystic, CT (US)
(73) Assignee: **S.C. Johnson Home Storage, Inc.**,
Racine, WI (US)

4,350,274 A * 9/1982 Morgan 224/610
4,539,705 A 9/1985 Baines
4,691,369 A 9/1987 Costa
4,756,394 A * 7/1988 Cohen 190/18 A
4,805,776 A * 2/1989 Namgyal et al. 206/523
4,822,179 A 4/1989 Natrass
D300,986 S * 5/1989 Peregrine et al. D3/289

(Continued)

(**) Term: **14 Years**
(21) Appl. No.: **29/313,008**
(22) Filed: **Dec. 1, 2008**

(51) **LOC (9) Cl.** **03-01**
(52) **U.S. Cl.** **D3/289**
(58) **Field of Classification Search** D3/242,
D3/254, 273, 276, 289, 301, 257, 260; D7/605,
D7/607, 629; D32/36, 37; 206/223, 278;
383/6, 12, 17, 21, 97; D9/414, 418, 432,
D9/434

See application file for complete search history.

(56) **References Cited**

U.S. PATENT DOCUMENTS

1,305,199 A * 5/1919 Deubener 383/20
1,379,829 A 5/1921 Lawrence
1,898,838 A 2/1933 Katz
2,040,337 A 5/1936 Rosmait
2,050,967 A 8/1936 Farmer
2,192,131 A 2/1940 Fishwick
2,237,324 A 4/1941 Wolf
2,319,127 A 5/1943 Guenther et al.
D158,378 S * 5/1950 Handlen D3/270
2,513,040 A 6/1950 Miller
3,126,146 A 3/1964 Bonsor
3,229,741 A 1/1966 Ambrose
3,462,069 A 8/1969 Suominen
3,672,562 A 6/1972 Bosse
3,797,733 A 3/1974 Ibing
4,127,155 A 11/1978 Hydorn

OTHER PUBLICATIONS

Holiday Storage—Blanket & Sweater Storage Bag. Snagged Jun. 21,
2009 at <http://www.organize.com/hostblst.html>.*

Primary Examiner—Philip S Hyder
Assistant Examiner—Roselyne Cody

(57) **CLAIM**

The ornamental design for a flexible container, as shown and
described.

DESCRIPTION

FIG. 1 is an isometric view of a top, front, and first side of an
ornamental design for a flexible container;

FIG. 2 is an elevational view of a first side of the flexible
container of FIG. 1;

FIG. 3 is an elevational view of a second side of the flexible
container of FIG. 1;

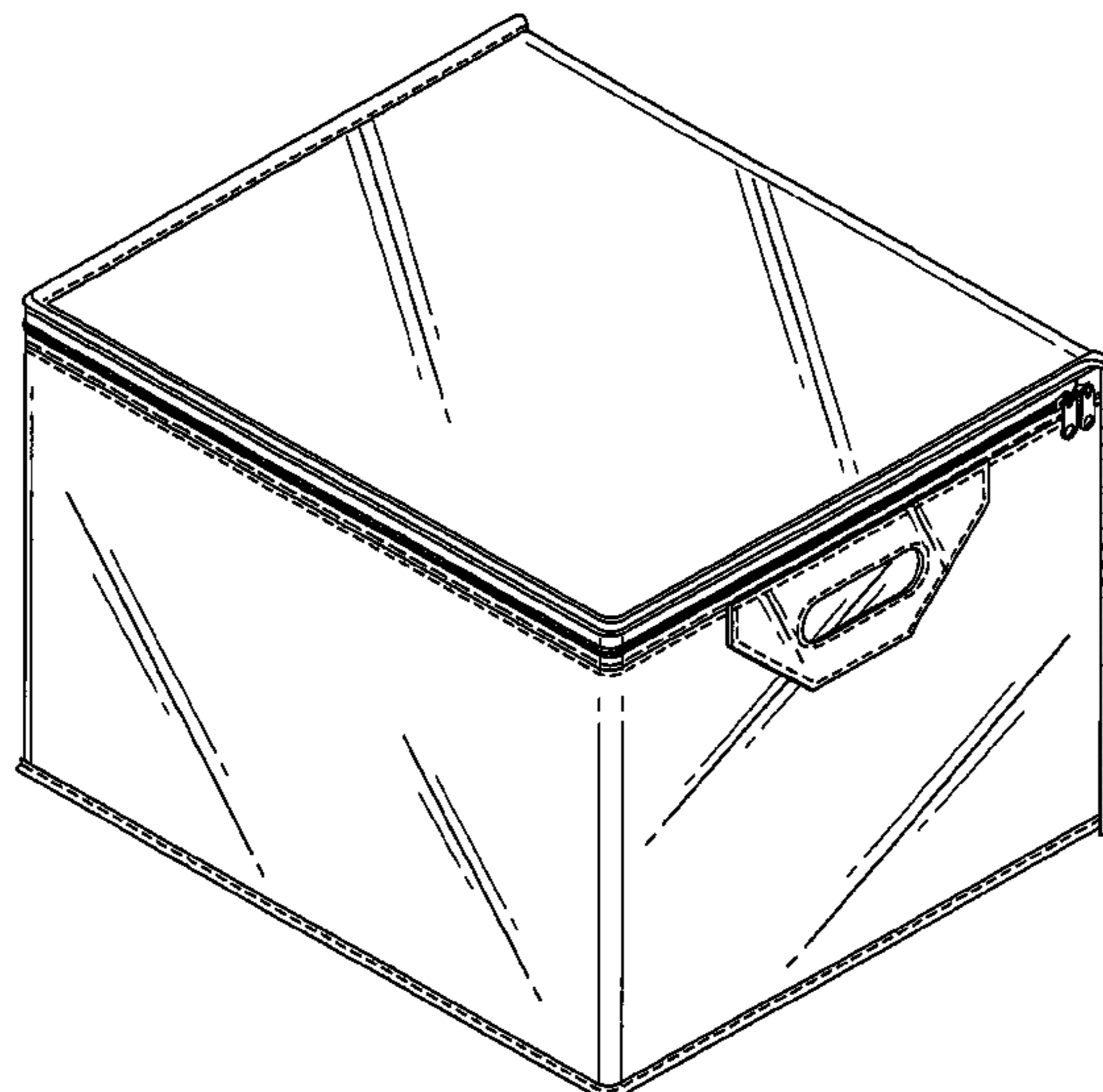
FIG. 4 is a front elevational view of the flexible container of
FIG. 1;

FIG. 5 is a rear elevational view of the flexible container of
FIG. 1.

FIG. 6 is a plan view of the flexible container of FIG. 1; and,
FIG. 7 is a bottom plan view of the flexible container of FIG.
1.

FIG. 7 is provided for context only and forms no part of the
claimed design. All features shown in dashed lines are for
context only and do not form part of the claimed design.

1 Claim, 4 Drawing Sheets



US D598,194 S

Page 2

U.S. PATENT DOCUMENTS

4,846,587	A	7/1989	Hull				
4,877,335	A	10/1989	Barnard				
4,895,456	A	1/1990	Morita				
4,971,453	A	11/1990	Rantanen				
4,989,993	A	2/1991	Barnard				
5,033,868	A	7/1991	Peppiatt				
5,046,860	A	9/1991	Brennan				
5,108,196	A	4/1992	Hughes				
5,145,258	A	9/1992	Schneck et al.				
5,152,612	A	10/1992	Shoemaker				
5,160,308	A	11/1992	Peppiatt				
D340,387	S *	10/1993	Melk	D7/607		
D340,621	S *	10/1993	Melk	D7/607		
5,282,687	A	2/1994	Yee				
5,458,556	A	10/1995	Hlubik				
D371,051	S *	6/1996	Melk	D7/607		
D373,514	S *	9/1996	Melk	D7/607		
D373,515	S	9/1996	Melk				
D382,771	S *	8/1997	Mogil	D7/607		
5,722,773	A	3/1998	Conrad				
5,741,077	A	4/1998	Sasaki et al.				
5,816,992	A	10/1998	Conrad				
D403,926	S	1/1999	Sutton				
5,879,083	A	3/1999	Nelson et al.				
6,092,687	A	7/2000	Hupp et al.				
D437,483	S *	2/2001	Bisbal et al.	D3/276		
D452,075	S	12/2001	Mogil				
6,328,158	B1 *	12/2001	Bisbal et al.	206/223		
6,443,617	B2	9/2002	Tetenborg				
D479,898	S	9/2003	Scola				
D480,209	S *	10/2003	Davis et al.	D3/289		
D482,241	S *	11/2003	Tyler	D7/607		
D486,038	S *	2/2004	Lanman et al.	D7/607		
6,896,131	B2 *	5/2005	Bisbal et al.	206/223		
6,899,663	B2	5/2005	Tetenborg				
D506,645	S *	6/2005	Bellofatto et al.	D7/607		
6,957,915	B2	10/2005	Tankersley				
D531,458	S	11/2006	Lown et al.				
7,207,716	B2	4/2007	Buchanan et al.				
D549,445	S	8/2007	Lown et al.				
7,341,377	B1	3/2008	Baxter				
2006/0188177	A1	8/2006	Dyer et al.				
2007/0071370	A1	3/2007	Schneider				
2008/0013867	A1	1/2008	Liu				

* cited by examiner

Fig. 1

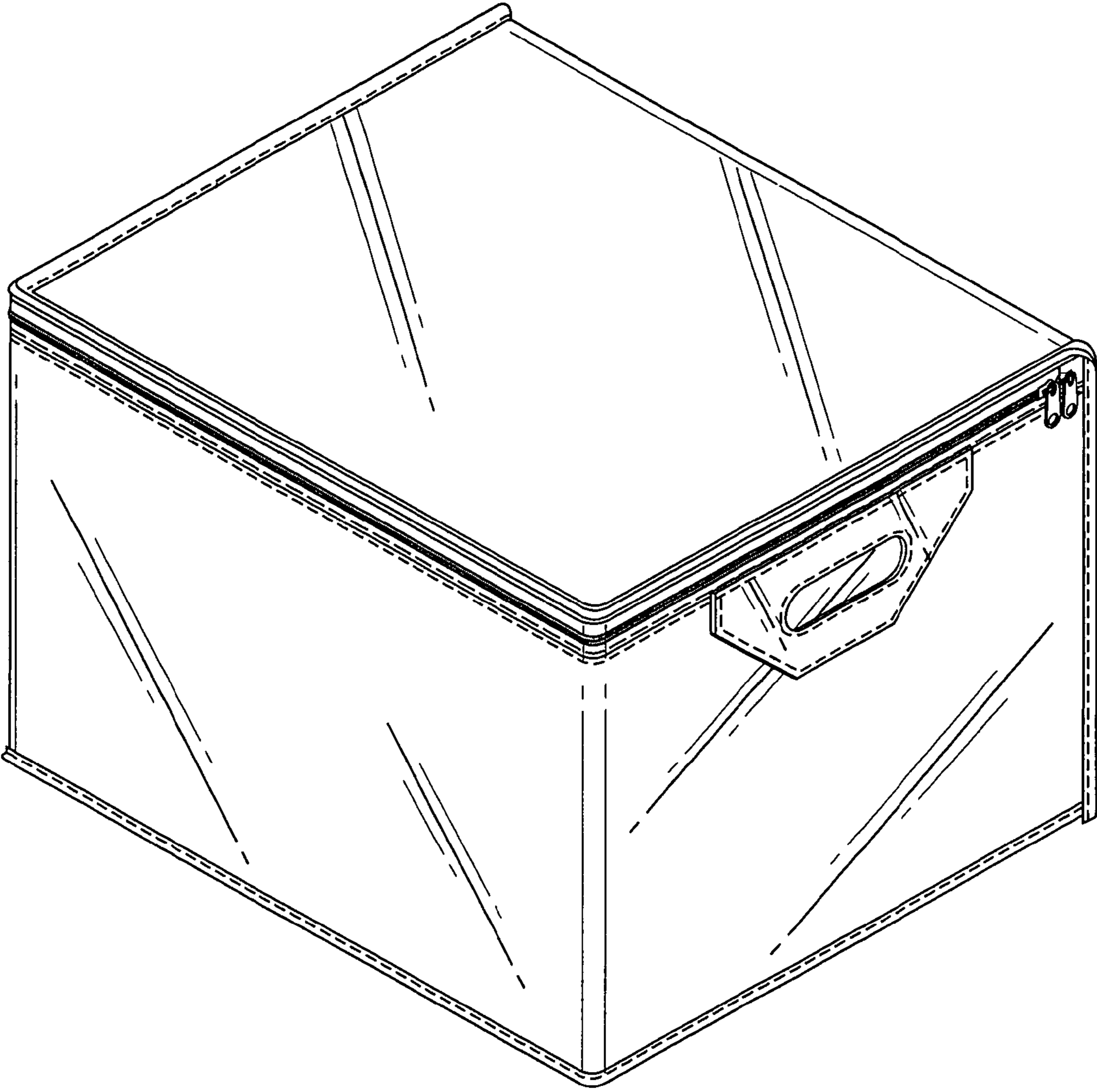


Fig. 2

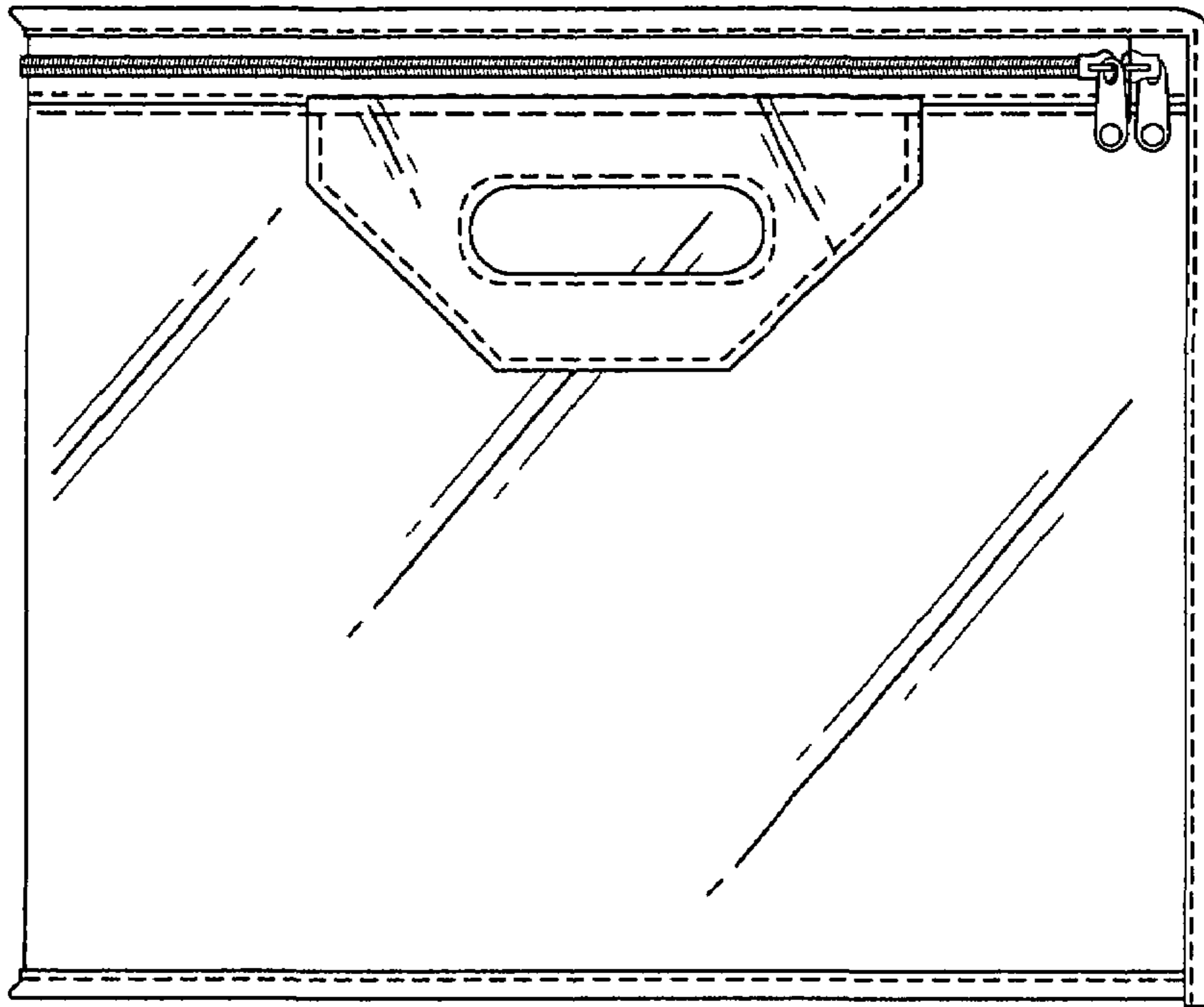


Fig. 3

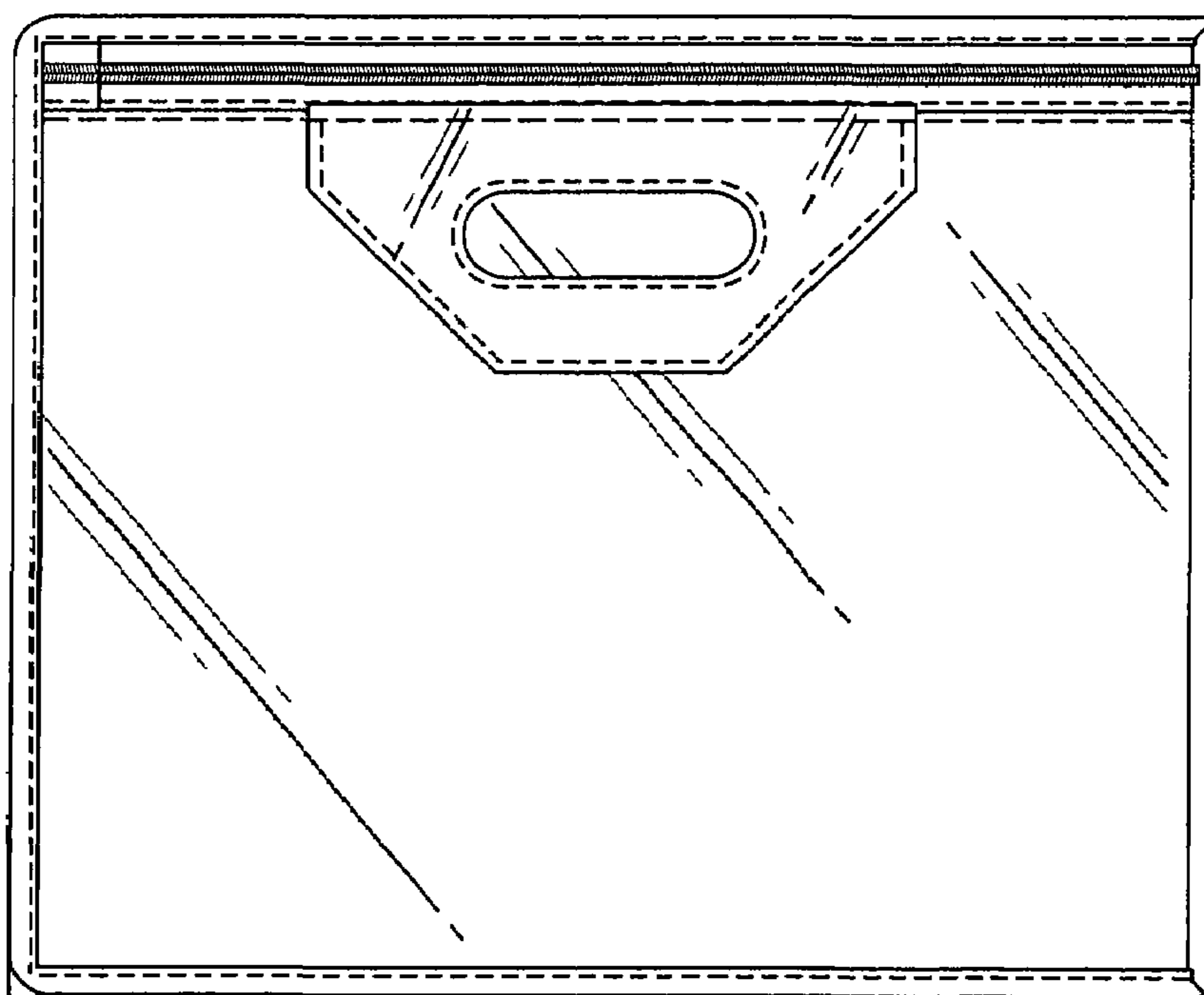


Fig. 4

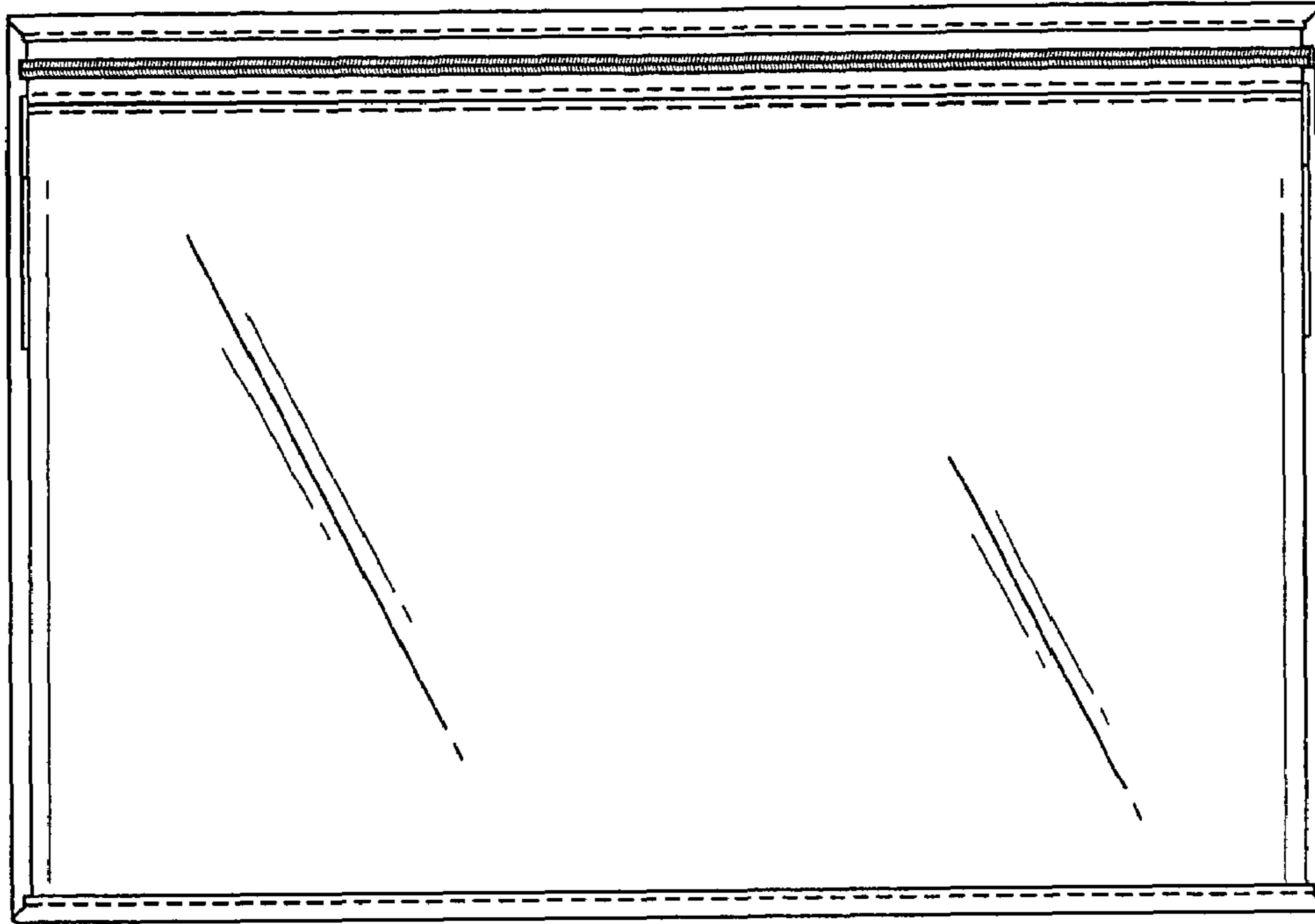


Fig. 5

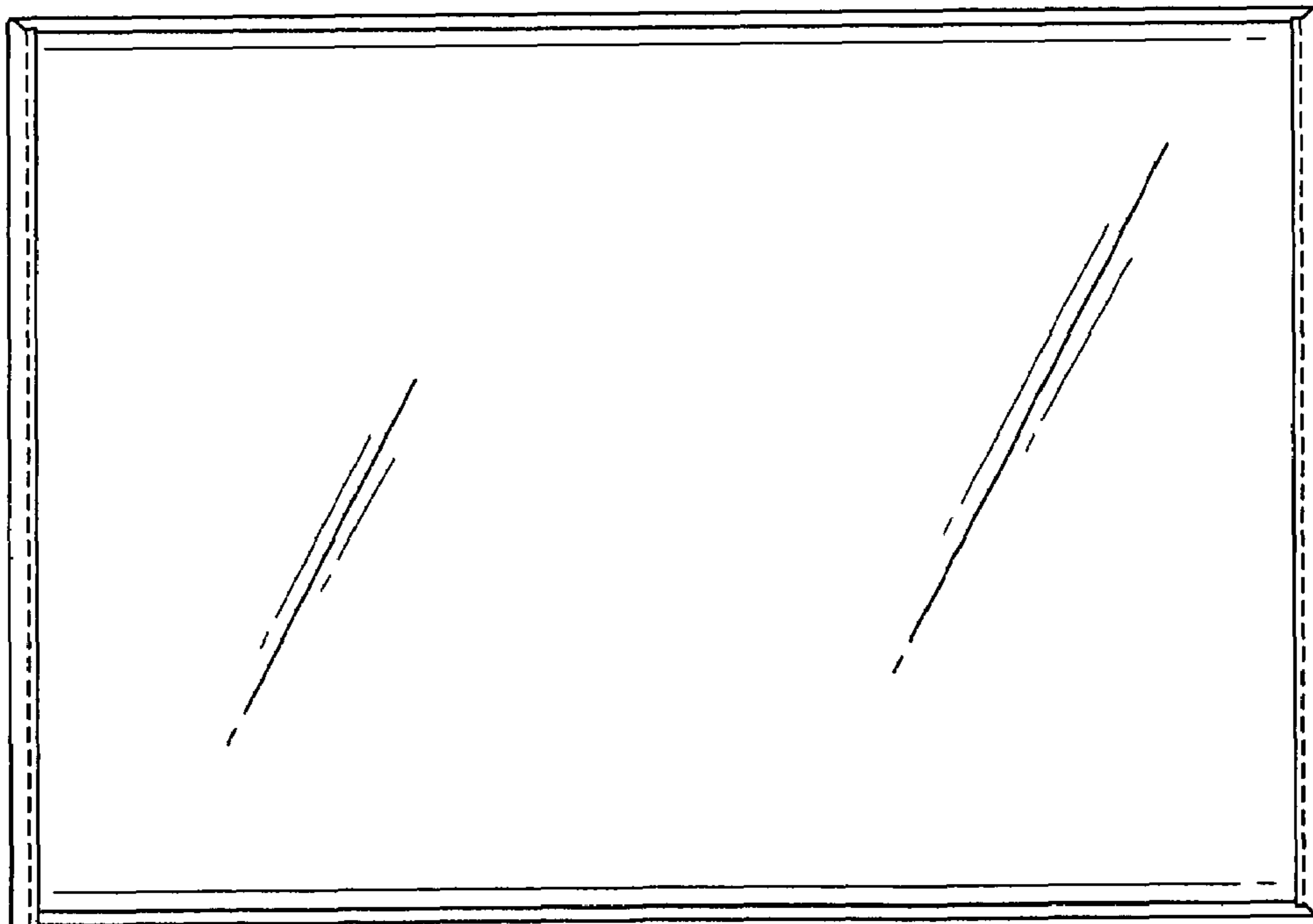


Fig. 6

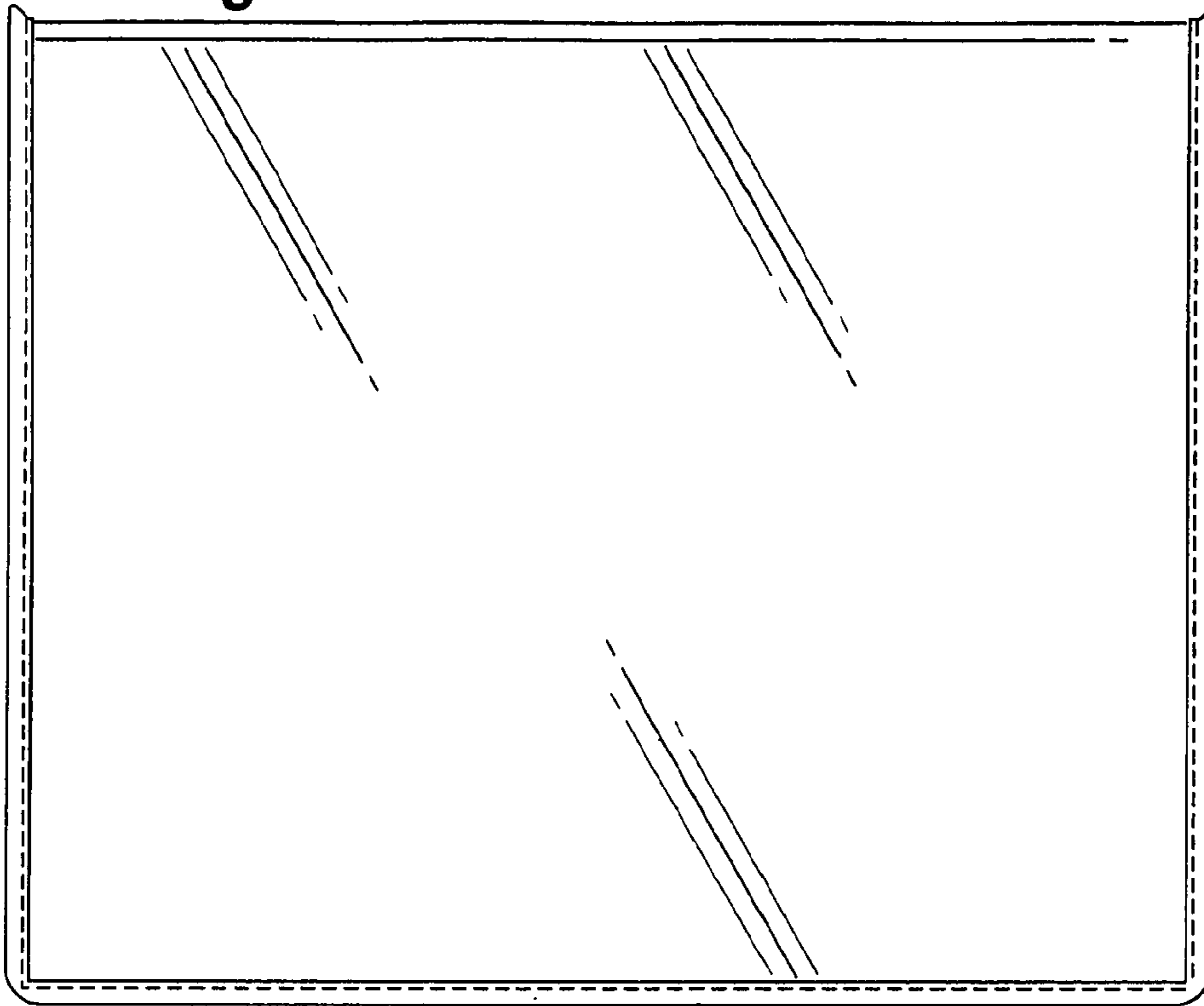


Fig. 7

