



US00D598191S

(12) **United States Design Patent**
Tang et al.

(10) **Patent No.:** **US D598,191 S**

(45) **Date of Patent:** **** Aug. 18, 2009**

(54) **TEAR AWAY MEDICAL POUCH**

(76) Inventors: **Tim Tang**, P.O. Box 5008, Palos Verdes, CA (US) 90274; **Darrin Talbott**, 652 Golden Eagle Dr., Colorado Springs, CO (US) 80916

(**) Term: **14 Years**

(21) Appl. No.: **29/326,743**

(22) Filed: **Oct. 23, 2008**

(51) **LOC (9) Cl.** **03-01**

(52) **U.S. Cl.** **D3/203.1**

(58) **Field of Classification Search** D3/203.1,
D3/203.6, 203.7, 203.8, 226, 228, 201, 205;
224/240, 245, 236, 660, 676-677, 908-909;
206/530-538

See application file for complete search history.

(56) **References Cited**

U.S. PATENT DOCUMENTS

D272,581 S *	2/1984	Petroff	D3/203.1
D305,798 S *	1/1990	Say	D3/203.6
D442,777 S *	5/2001	Smith	D3/226
D498,048 S *	11/2004	Reichardt	D3/228

* cited by examiner

Primary Examiner—Catherine R Oliver

(74) *Attorney, Agent, or Firm*—Patel & Alumit, PC; John Alumit, Esq

(57) **CLAIM**

The ornamental design for a tear away medical pouch with shroud, as shown and described.

DESCRIPTION

Portions of the disclosure of this patent document contain material that is subject to copyright protection. The copyright

owner has no objection to the facsimile reproduction by anyone of the patent document or the patent disclosure as it appears in the Patent and Trademark Office file or records, but otherwise reserves all copyright rights whatsoever.

FIG. 1 is a front view of the tear away medical pouch with connected shroud according to the new design.

FIG. 2 is a rear view of the tear away medical pouch with connected shroud according to the new design.

FIG. 3 is a bottom view of the tear away medical pouch with connected shroud according to the new design.

FIG. 4 is a top view of the tear away medical pouch with connected shroud according to the new design.

FIG. 5 is a front view of the tear away medical pouch with the top of the shroud open according to the new design.

FIG. 6 is a front view of the tear away medical pouch detached from the shroud to the left according to the new design.

FIG. 7 is a rear view of the tear away medical pouch according to the new design.

FIG. 8 is a front view of the tear away medical pouch with the front pocket lid lifted according to the new design.

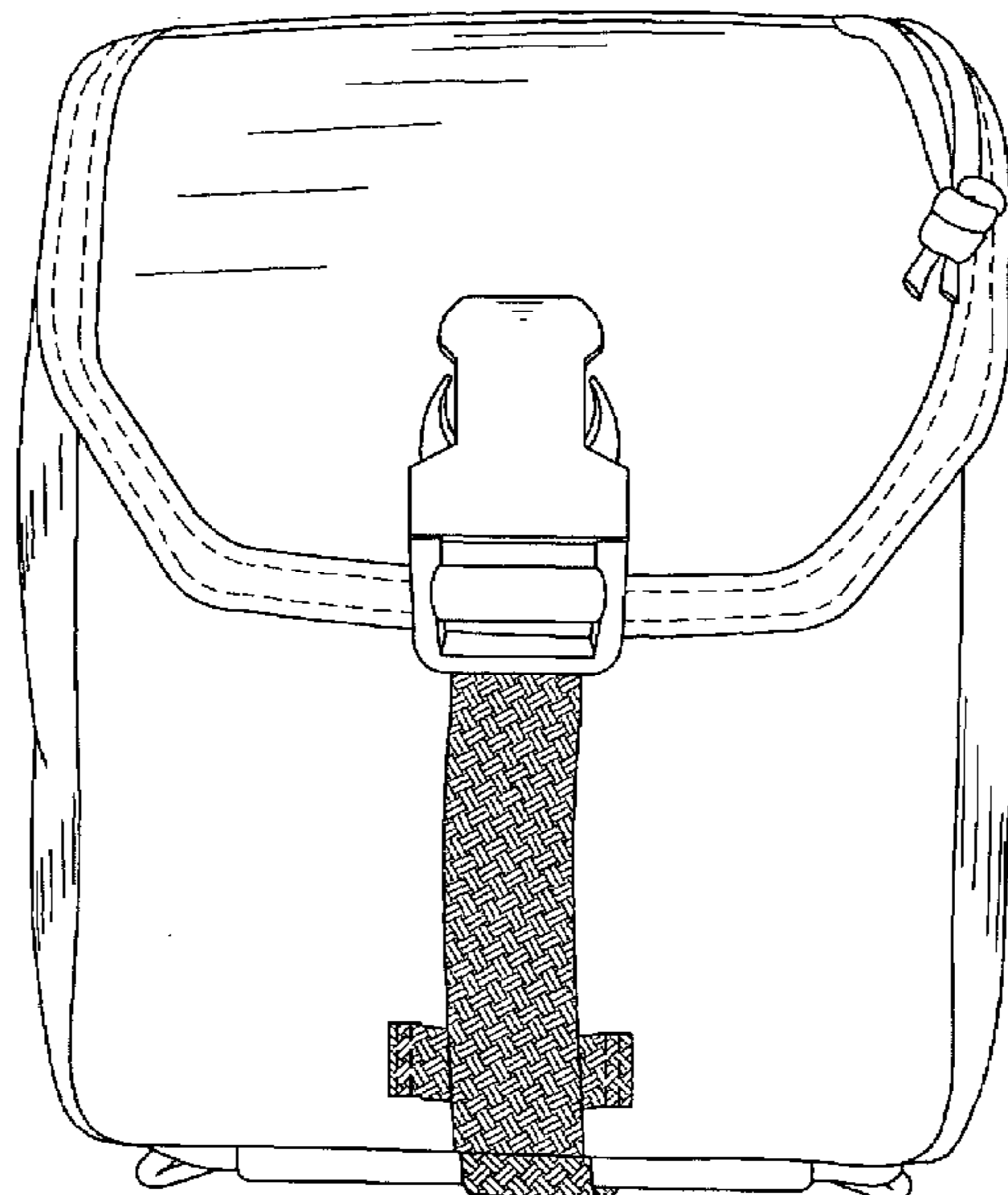
FIG. 9 is left view of the tear away medical pouch with connected shroud according to the new design.

FIG. 10 is a perspective view of the tear away medical pouch unzipped and opened according to the new design; and,

FIG. 11 is a perspective view of the tear away medical pouch unzipped and opened to the left of the shroud according to the new design.

All parts of the figures shown in dashed line are not part of the claimed design.

1 Claim, 11 Drawing Sheets



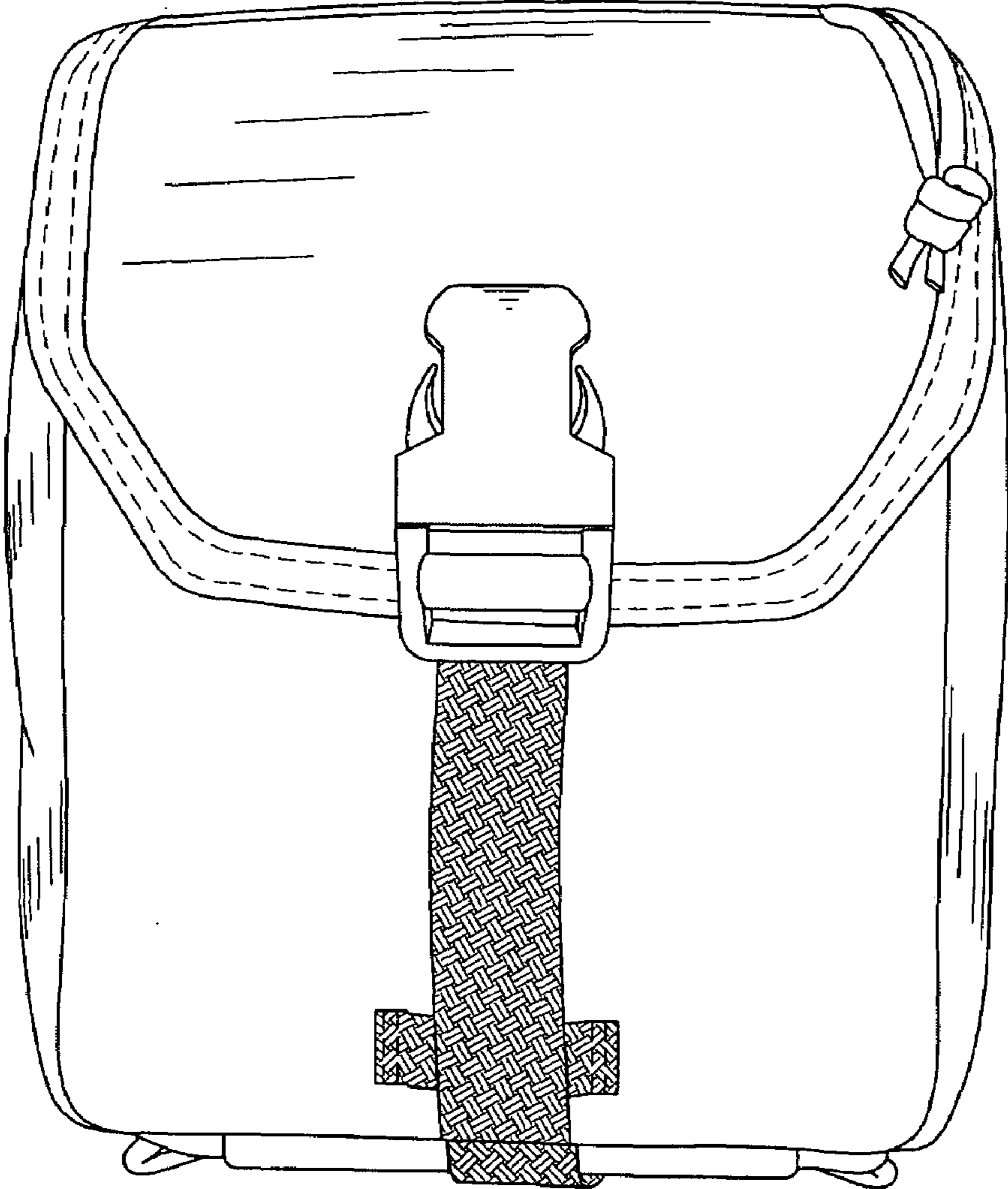


Fig. 1

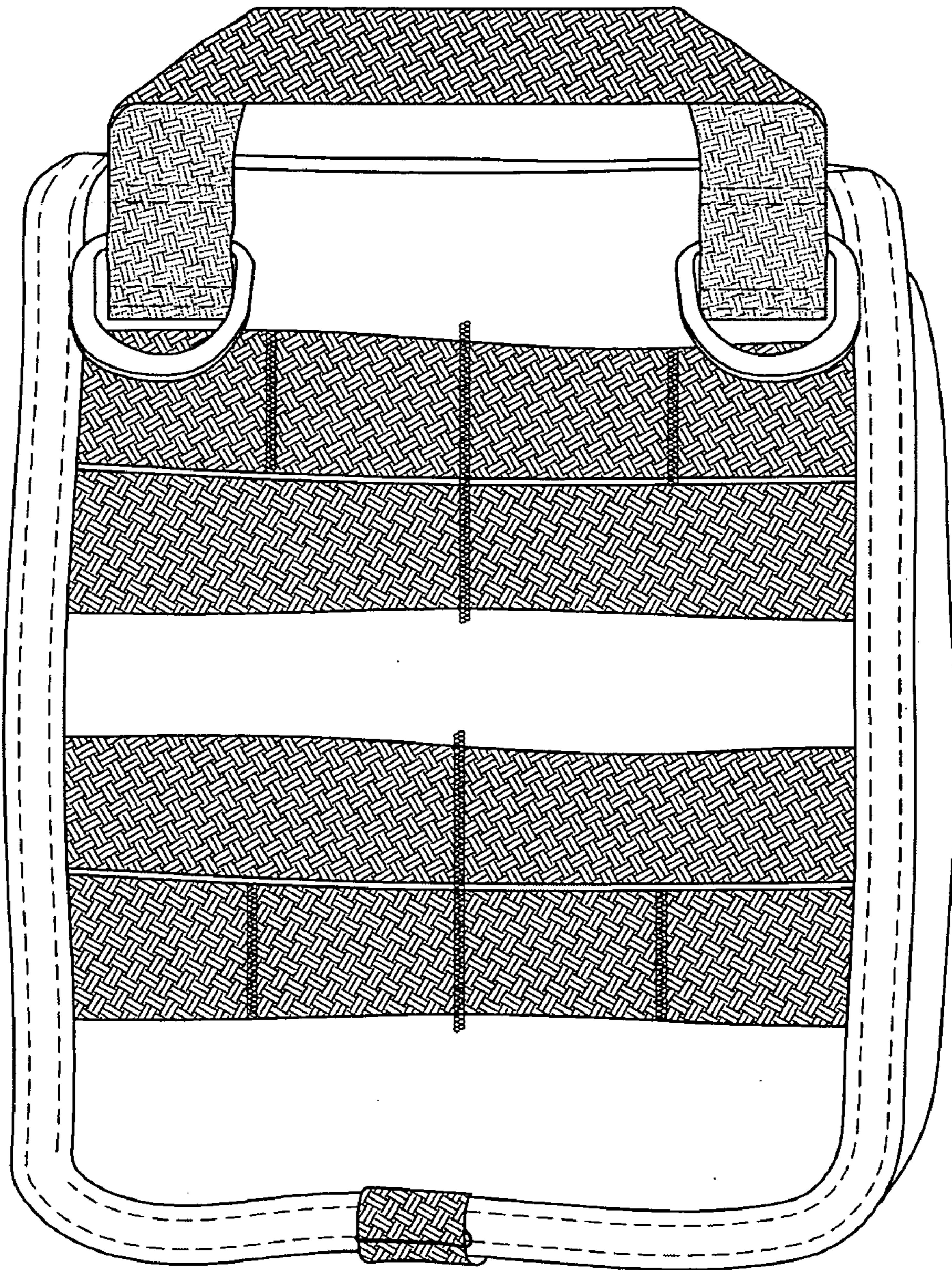


Fig. 2

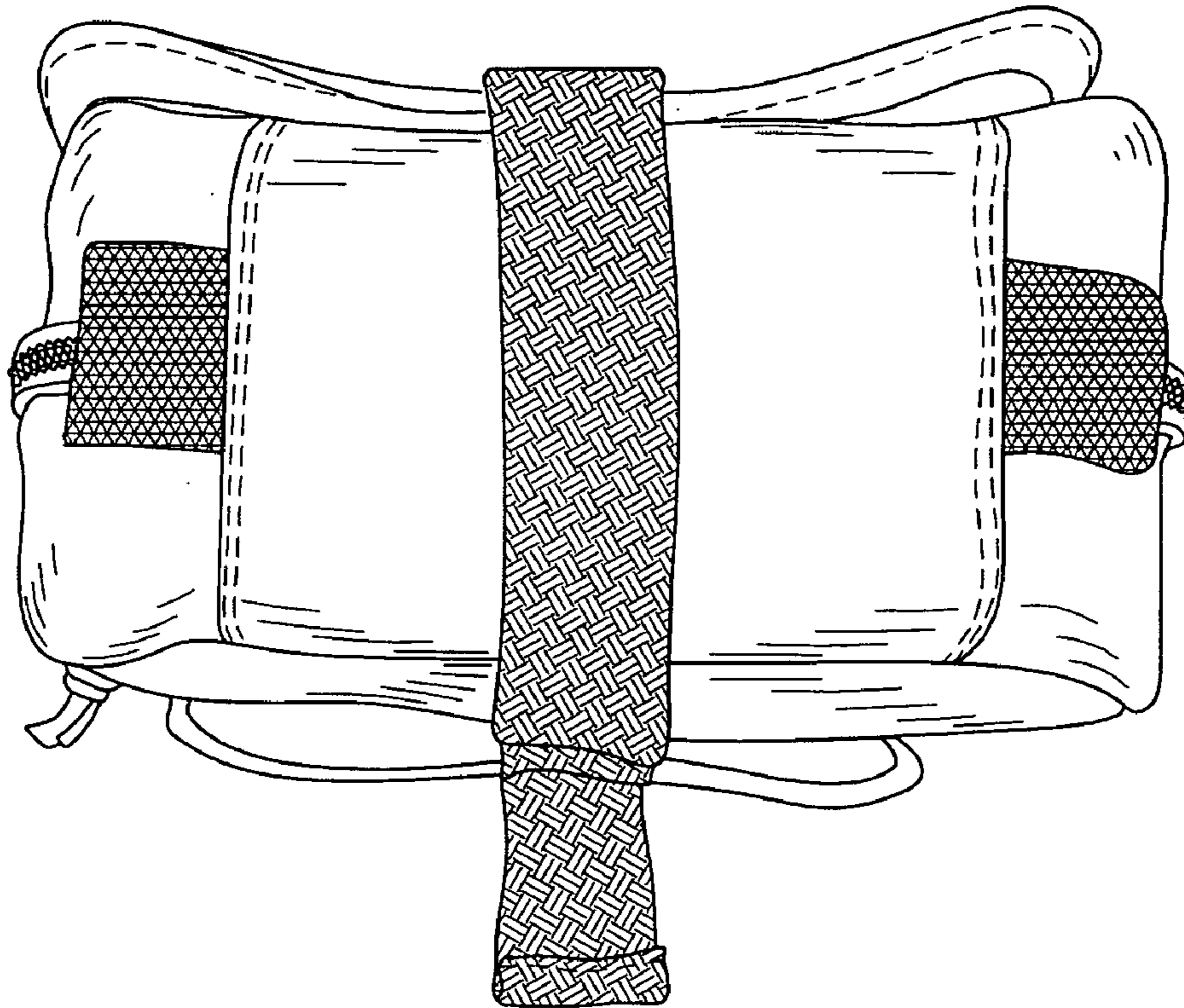


Fig. 3

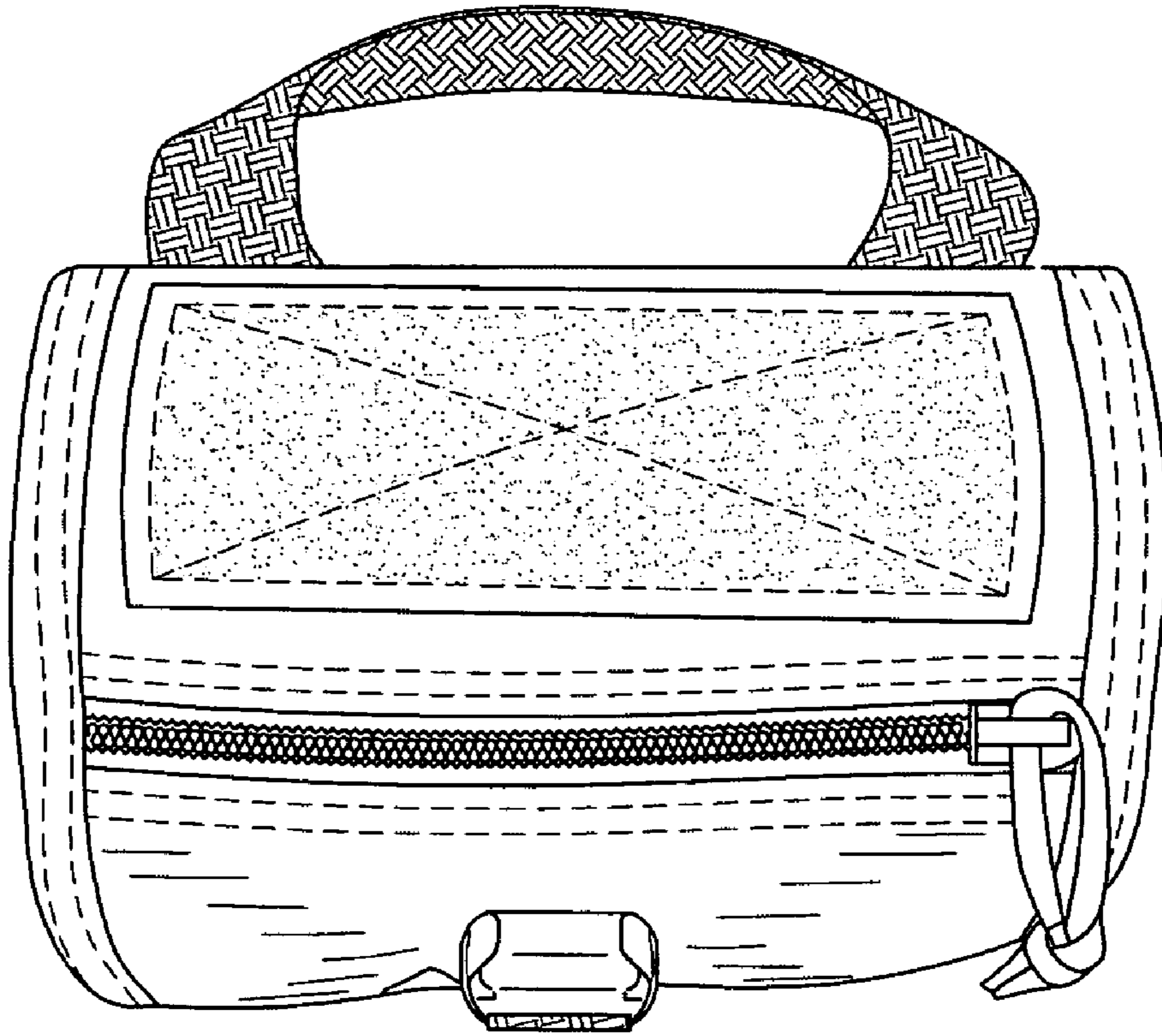


Fig. 4

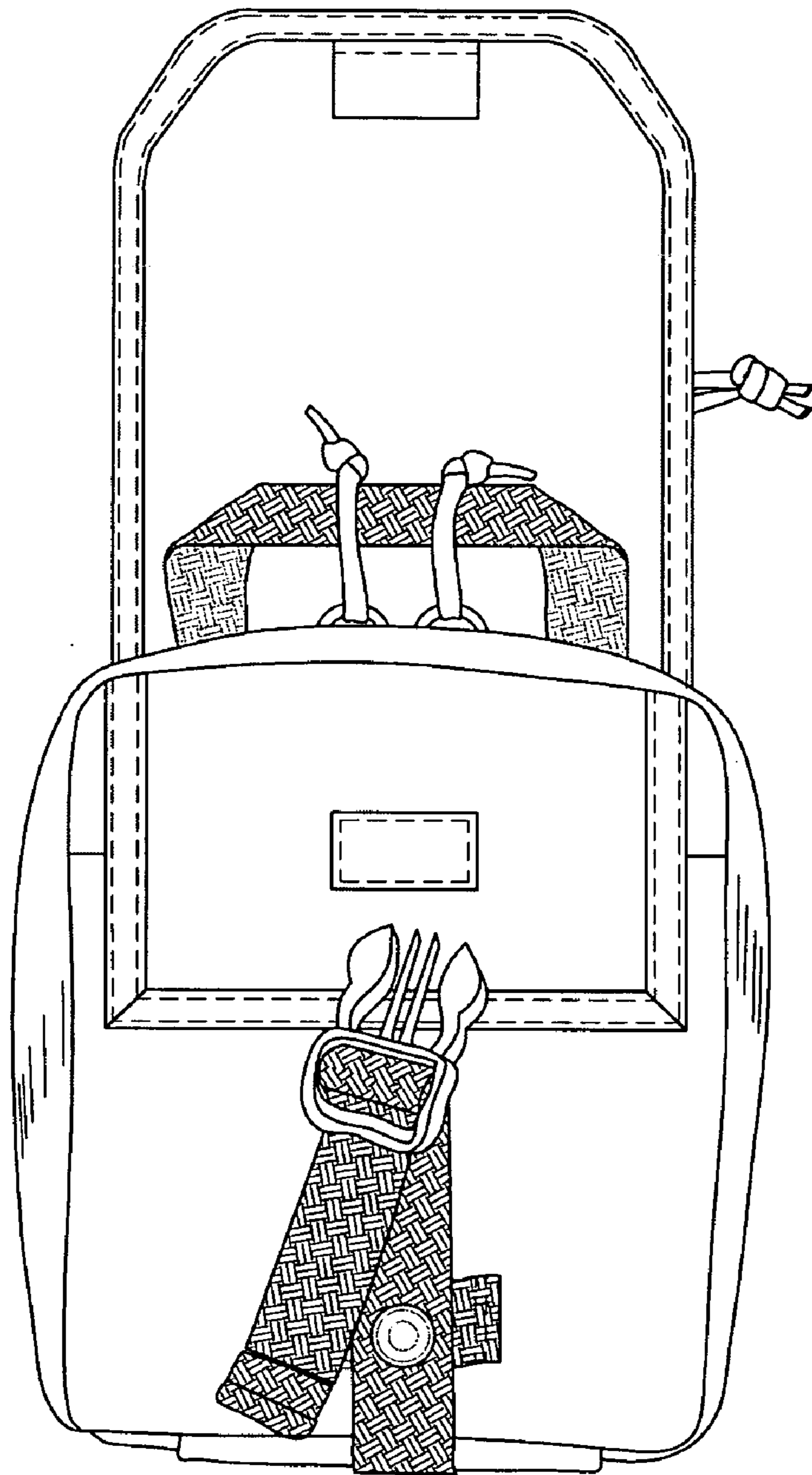


Fig. 5

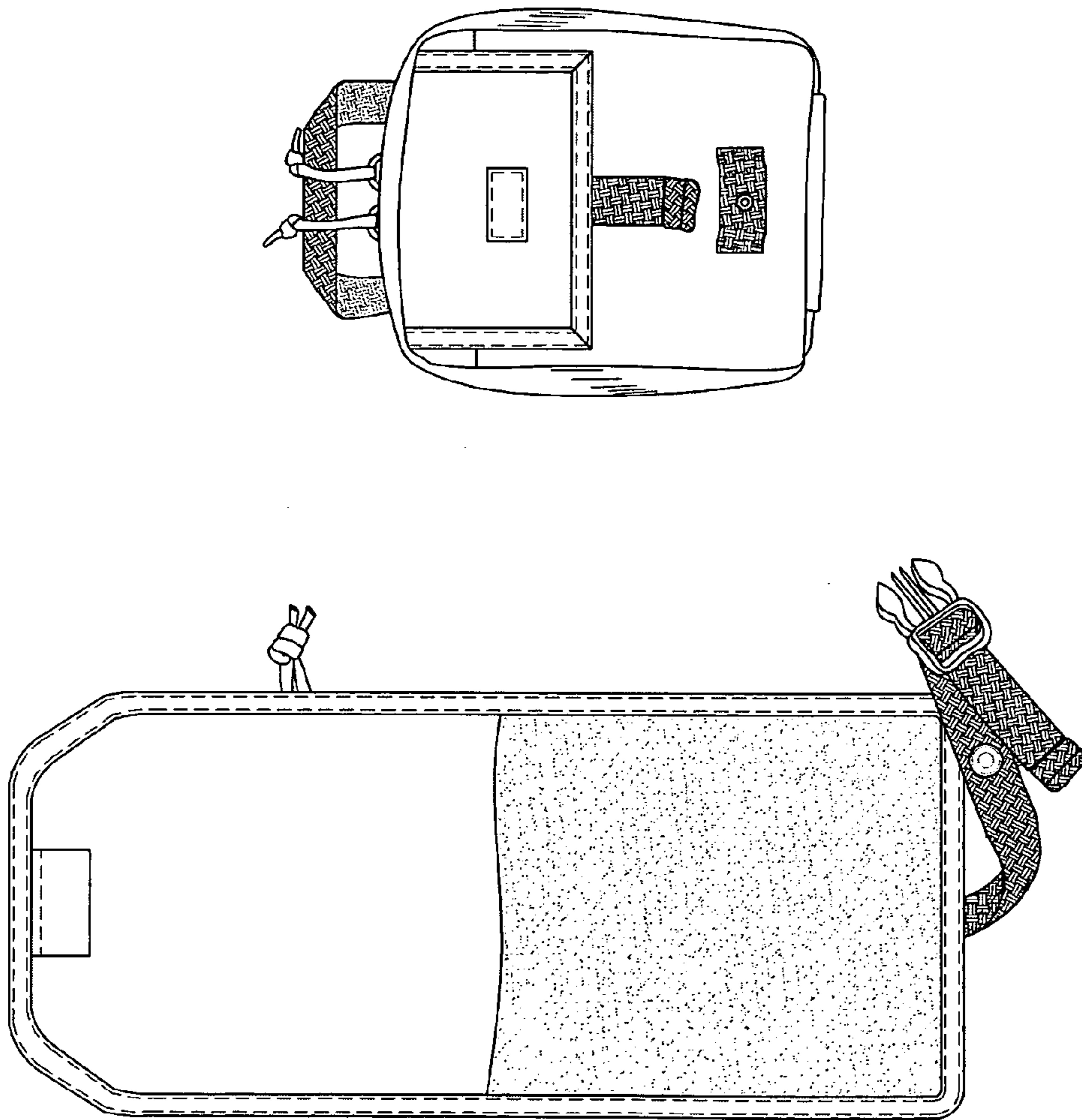


Fig. 6

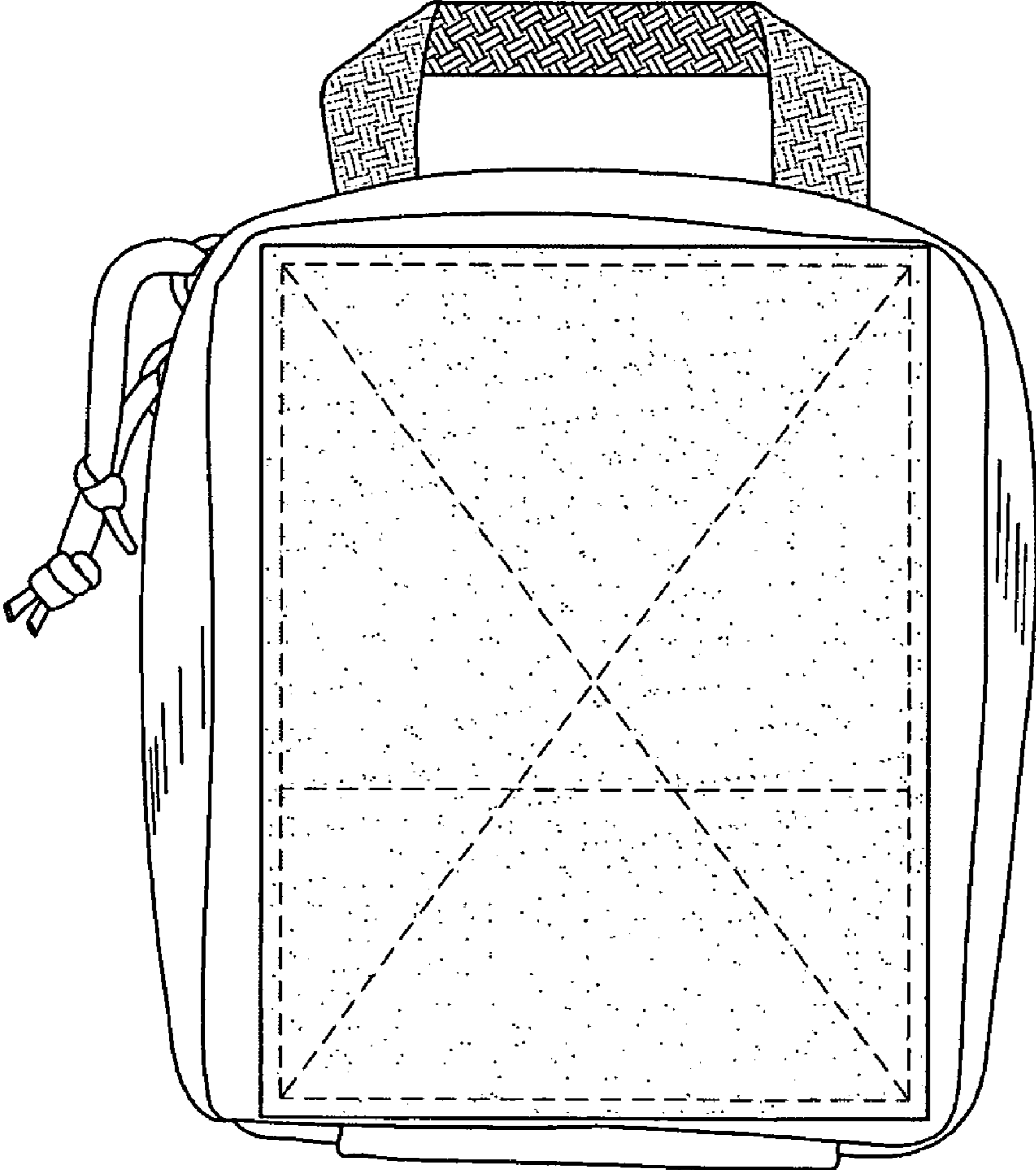


Fig. 7

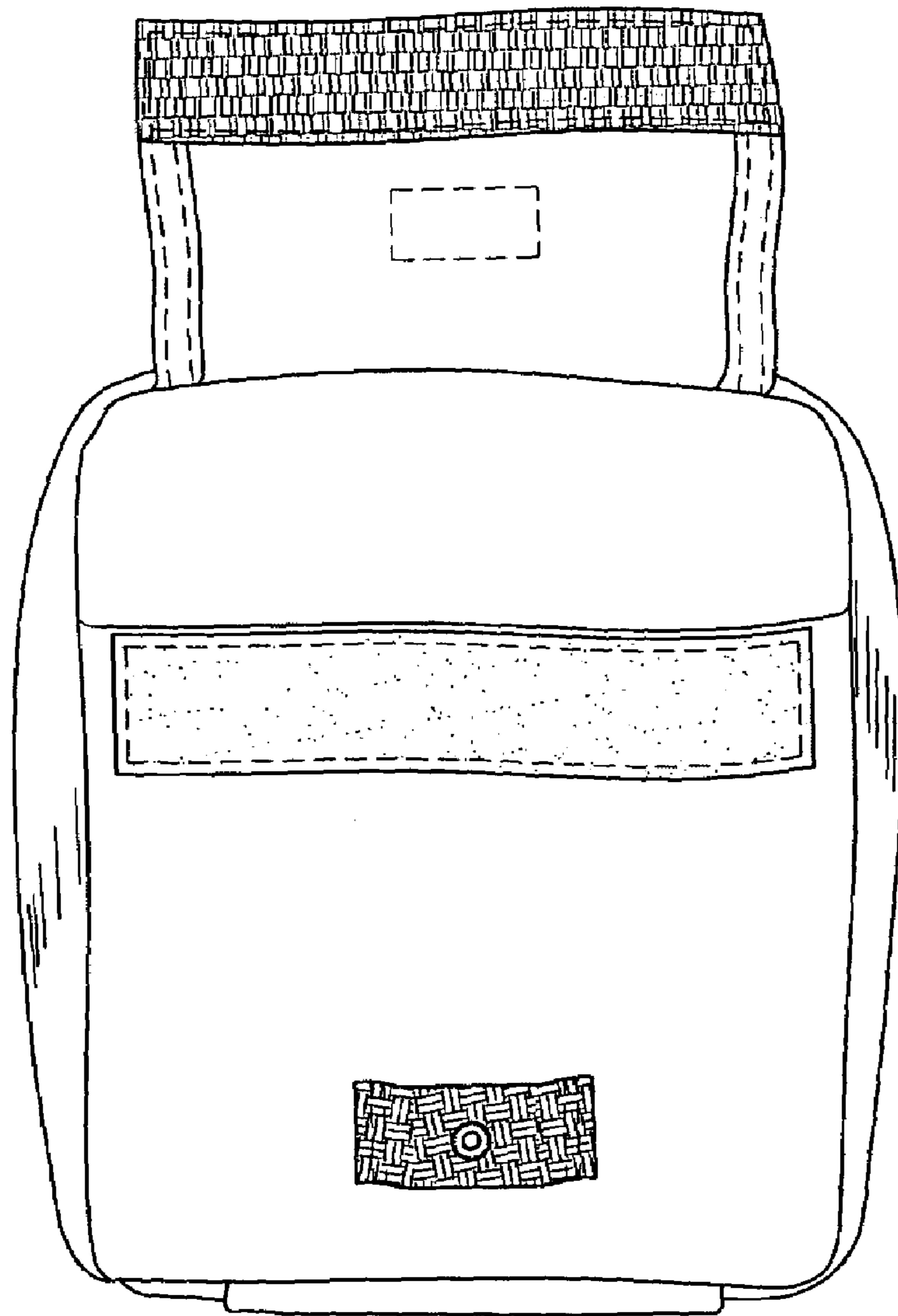


Fig. 8

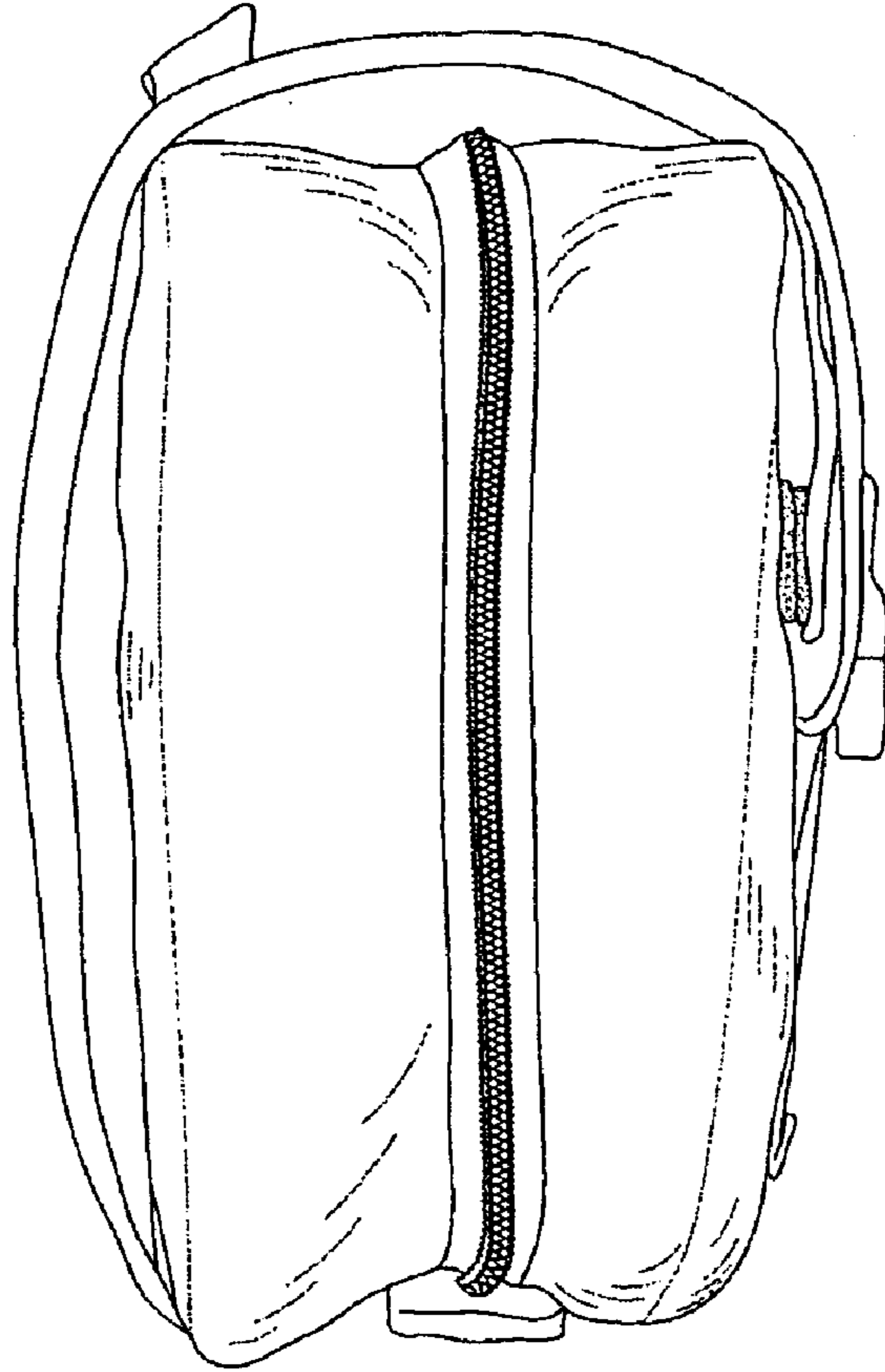


Fig. 9

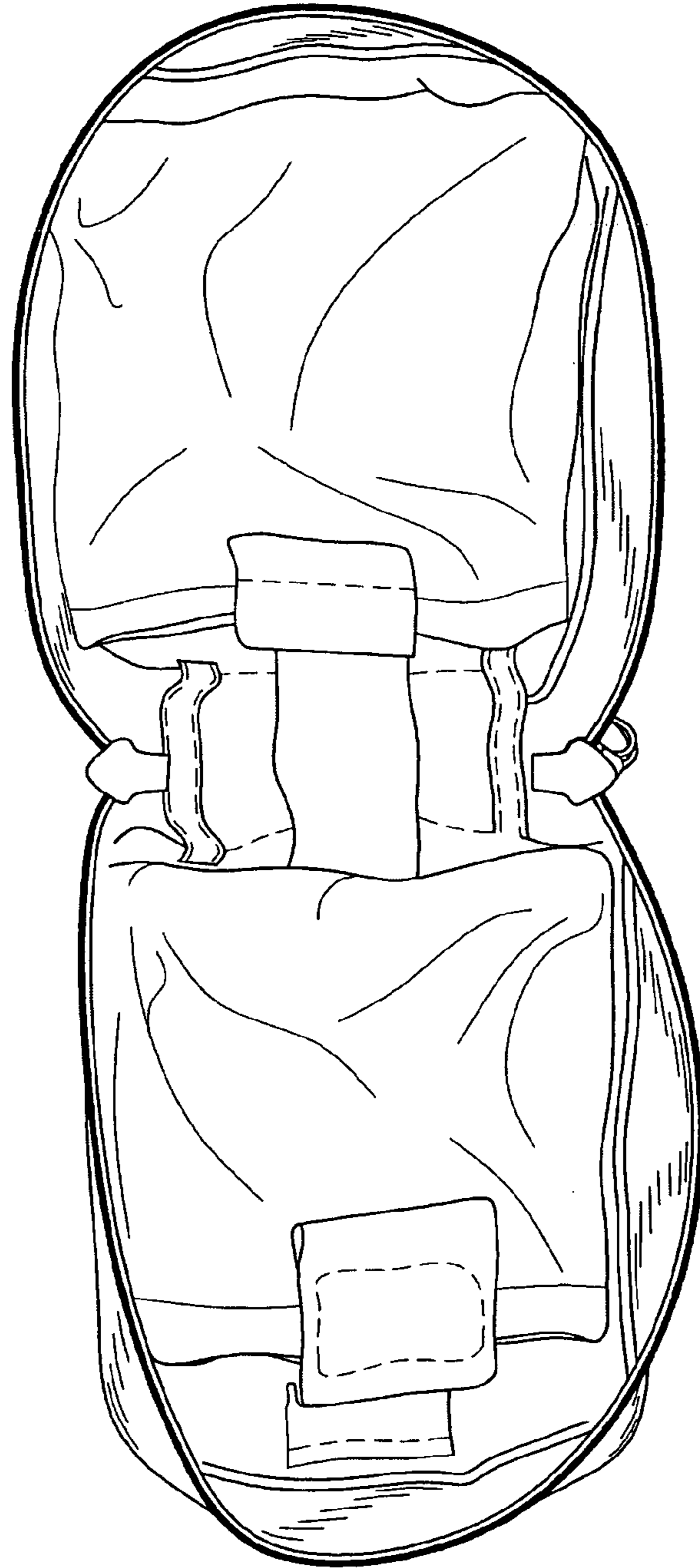


Fig. 10

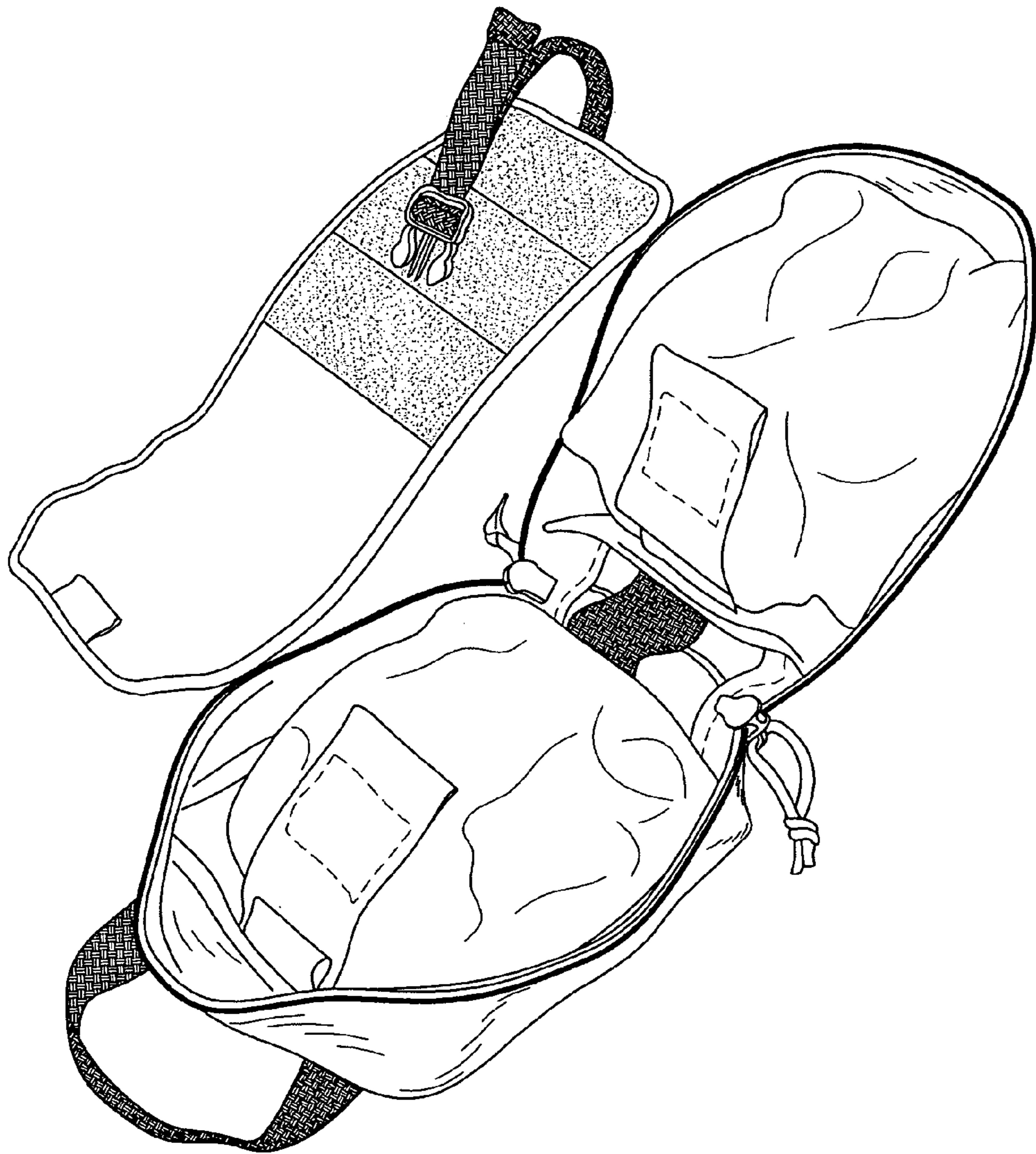


Fig. 11