

US00D598174S

(12) **United States Design Patent**  
**Lindberg**

(10) **Patent No.:** **US D598,174 S**

(45) **Date of Patent:** **\*\* Aug. 11, 2009**

(54) **TONG**

(76) Inventor: **Paul A. Lindberg**, 2587 Wickersham Rd., Charlevoix, MI (US) 49720

(\*\*) Term: **14 Years**

(21) Appl. No.: **29/332,523**

(22) Filed: **Feb. 18, 2009**

**Related U.S. Application Data**

(63) Continuation of application No. 10/826,073, filed on Apr. 16, 2004, now abandoned.

(51) **LOC (9) Cl.** ..... **12-05**

(52) **U.S. Cl.** ..... **D34/33; D15/28**

(58) **Field of Classification Search** ..... D15/10, D15/28; D34/28, 33, 35; D8/4; 294/106, 294/118, 110.1, 119, 28, 902, 16, 111, 62; 81/415, 418

See application file for complete search history.

(56) **References Cited**

**U.S. PATENT DOCUMENTS**

1,316,824 A	9/1919	Bonnard et al.	
1,459,339 A	6/1923	Meinholdt	
1,468,344 A	9/1923	Eckert	
1,480,820 A	1/1924	Hendrickson	
1,487,277 A	3/1924	Shinner	
1,514,863 A	11/1924	Rytell	
1,637,388 A *	8/1927	Nelson	294/118
1,728,084 A	9/1929	Shroyer	
1,833,342 A *	11/1931	Tomlinson	294/118
1,877,974 A	9/1932	Robb	
2,297,291 A	9/1942	Danielson	
RE24,058 E *	9/1955	Eckstein	294/110.1
2,832,635 A	4/1958	Furnia et al.	
3,008,753 A	11/1961	Tazioli	
3,572,806 A *	3/1971	Sivadon	294/92
3,572,808 A	3/1971	Miller	
3,870,359 A *	3/1975	Hultquist	294/118
3,897,969 A *	8/1975	Dike	294/118
D245,972 S	10/1977	Kifer	
4,452,481 A *	6/1984	Williams	294/118
D274,762 S *	7/1984	Toffolon	D34/33

4,530,536 A *	7/1985	Williams	294/118
4,678,220 A	7/1987	Gabriel	
5,050,921 A	9/1991	Hultquist	
5,056,845 A	10/1991	Cook	
5,078,440 A	1/1992	Taniguchi	
5,209,538 A	5/1993	Gabruel	
5,364,147 A	11/1994	Dickey et al.	
5,405,238 A	4/1995	Samsel, Jr.	
5,868,357 A *	2/1999	Gabriel	244/137.1
2004/0135389 A1	7/2004	Helms	

**FOREIGN PATENT DOCUMENTS**

DE	9012798 U1	12/1990
EP	0790211 A	8/1997
GB	928282 A	6/1963
JP	05286682 A	11/1993

**OTHER PUBLICATIONS**

Logging or Ice Tongs Steel Antique Tool, printout from ebay.com.  
Logging or Farm Tongs Blacksmith-Hand Forged, printout from ebay.com.

(Continued)

*Primary Examiner*—Ian Simmons

*Assistant Examiner*—Mark A Goodwin

(74) *Attorney, Agent, or Firm*—Warner Norcross & Judd LLP

(57) **CLAIM**

The ornamental design for a tong, as shown and described.

**DESCRIPTION**

FIG. 1 is a perspective view of the tong embodying my new design;

FIG. 2 is a front elevational view thereof;

FIG. 3 is a rear elevational view thereof; and

FIG. 4 is a right side elevational view thereof;

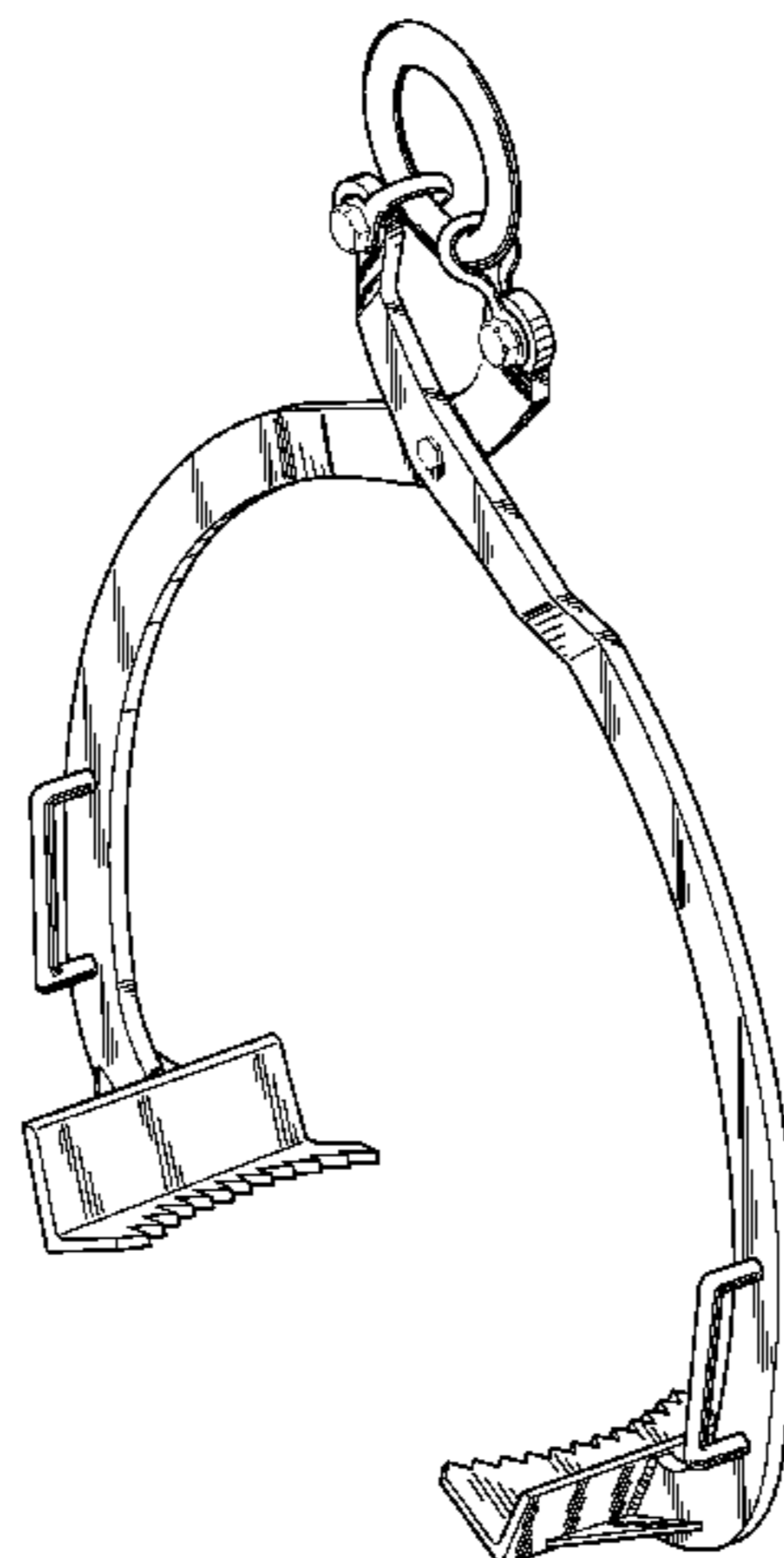
FIG. 5 is a left side elevational view thereof;

FIG. 6 is a top plan view thereof; and,

FIG. 7 is a bottom plan view thereof.

FIGS. 1–7 show portions of the tong in broken lines. These features are shown for environmental purposes and do not form any part of the claimed design.

**1 Claim, 5 Drawing Sheets**



OTHER PUBLICATIONS

Logging tongs = forged antique tool Gifford Wood Co., print-out from ebay.com.

Antique Forged Wrought Iron Lumber Tongs logging Ice NR, printout from ebay.com.

\* cited by examiner

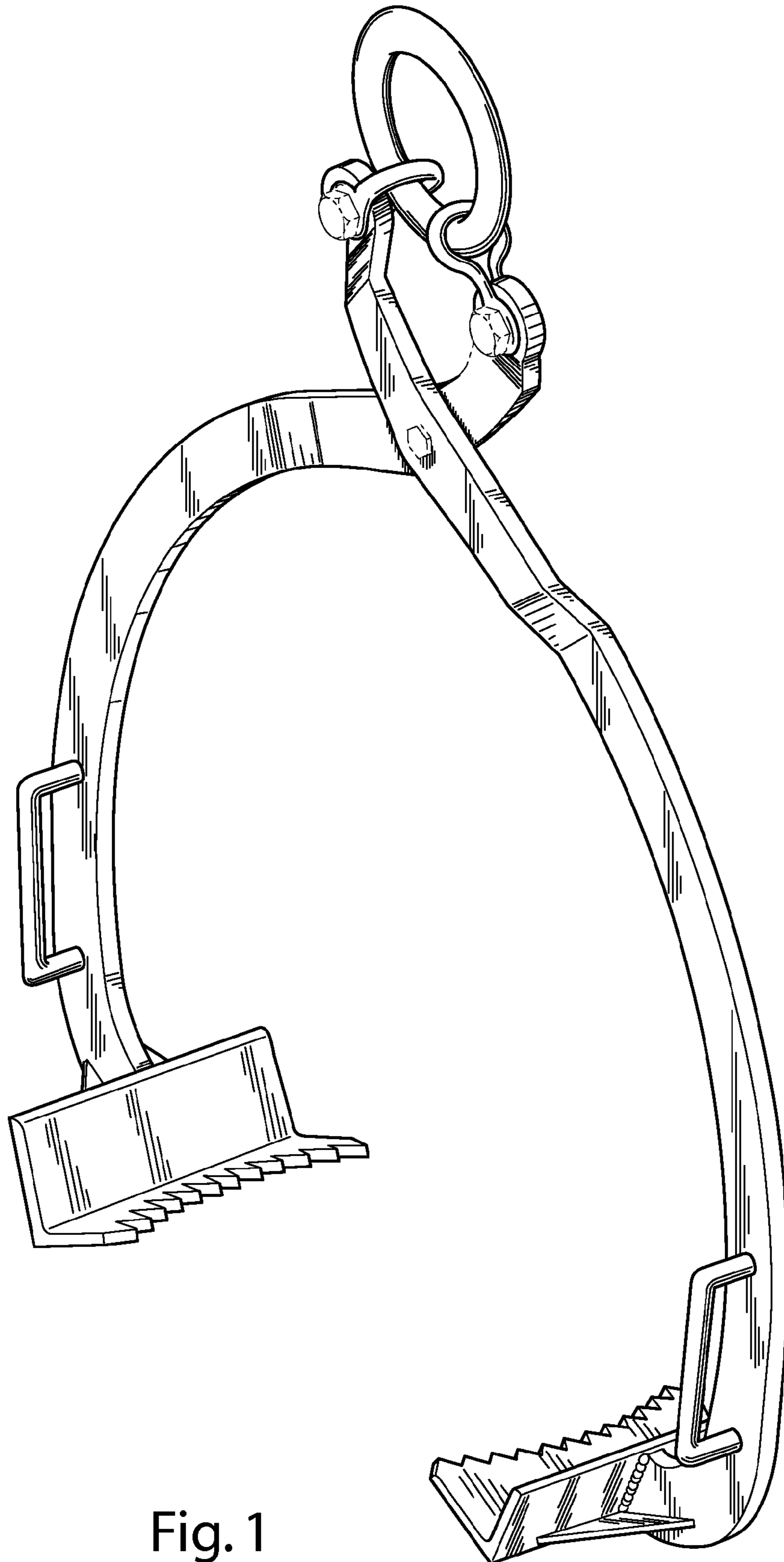


Fig. 1

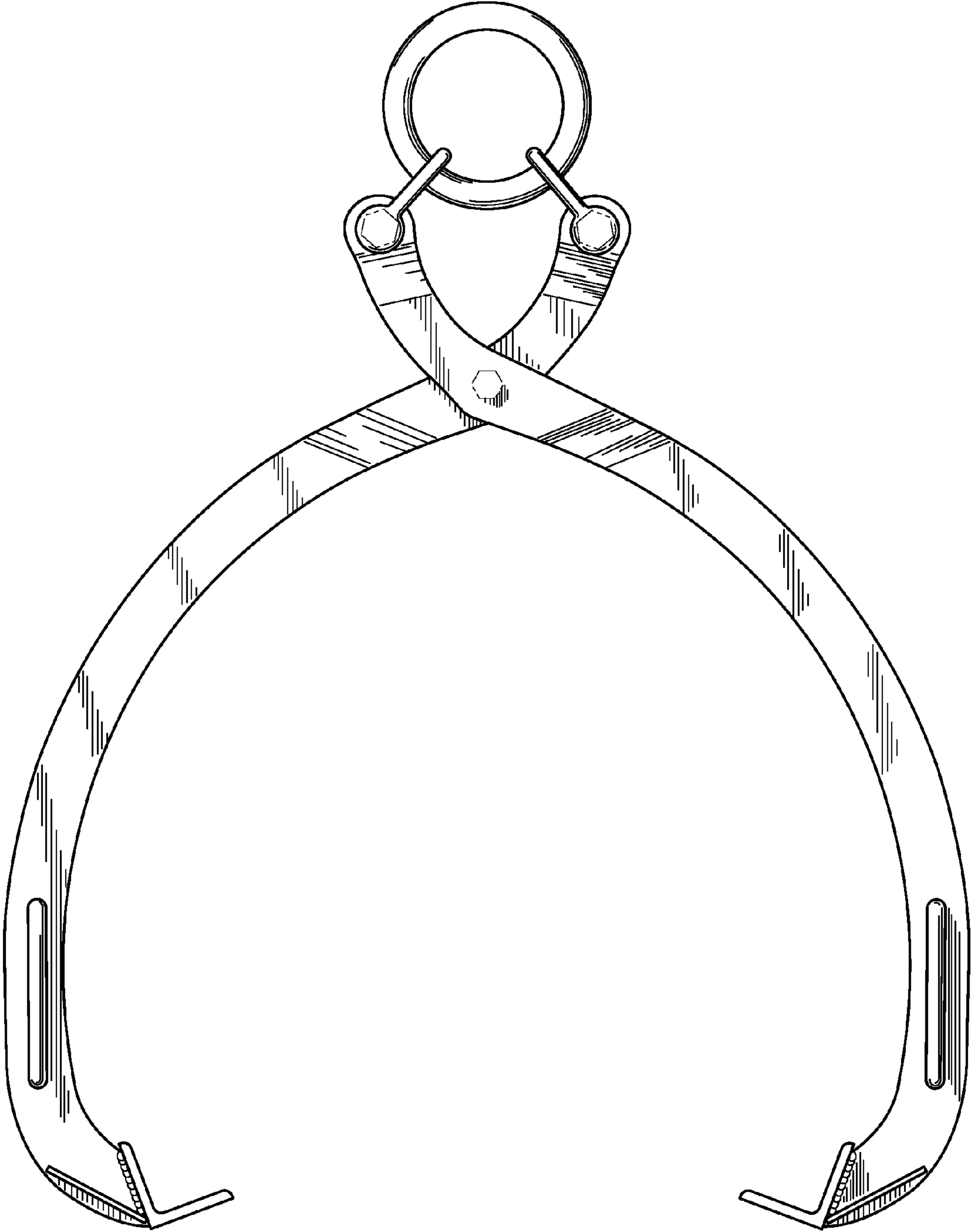


Fig. 2

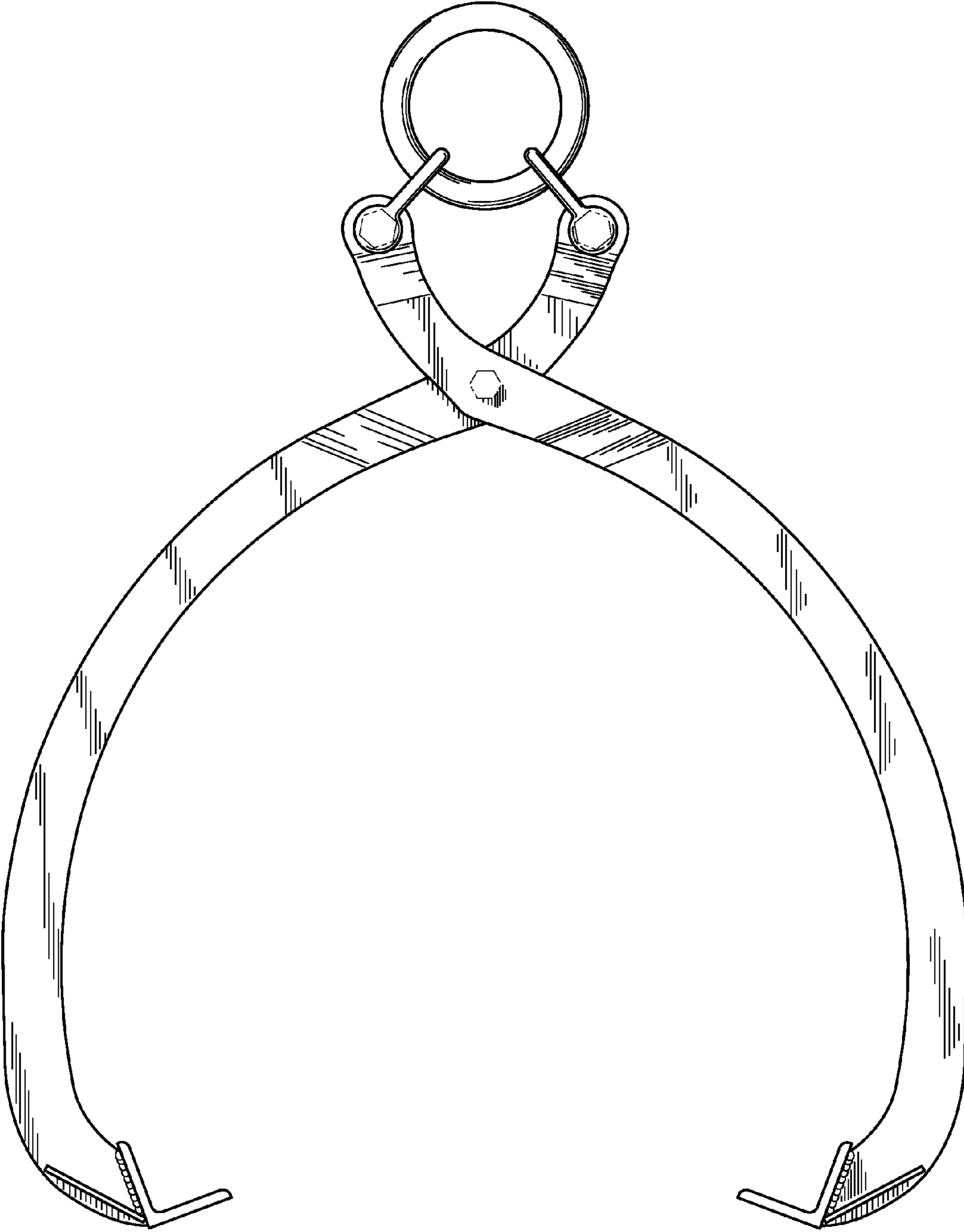


Fig. 3

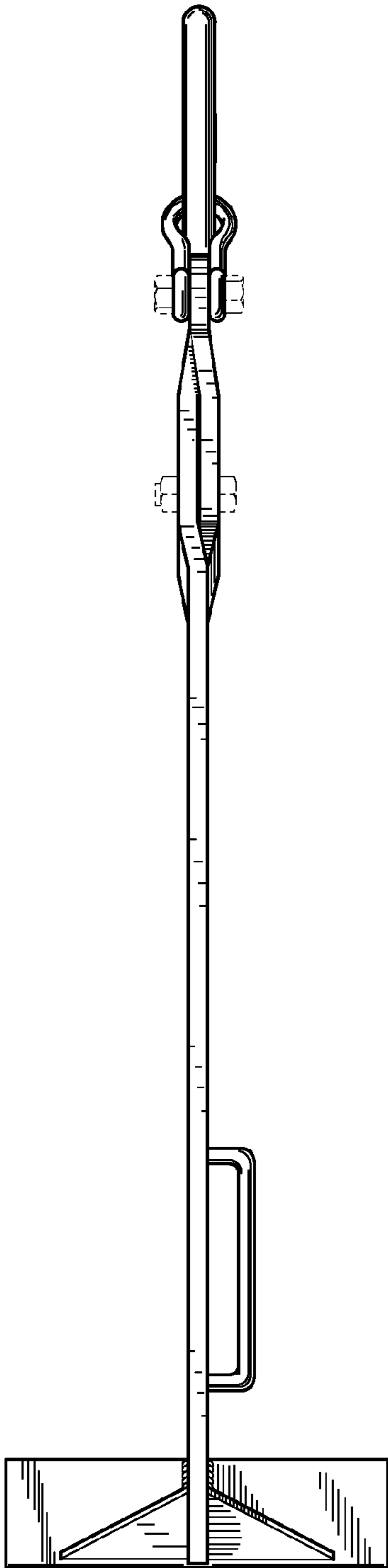


Fig. 4

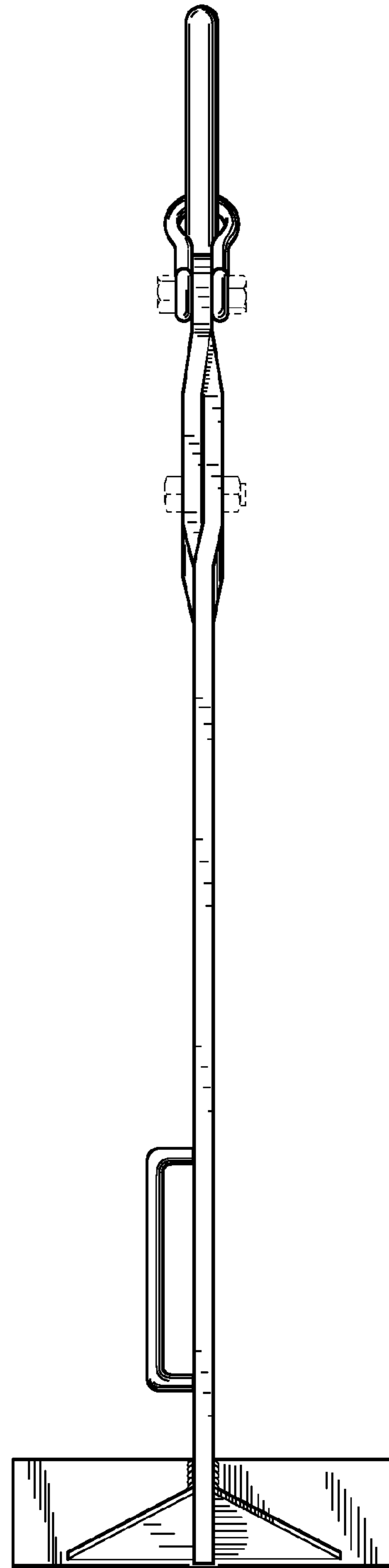


Fig. 5

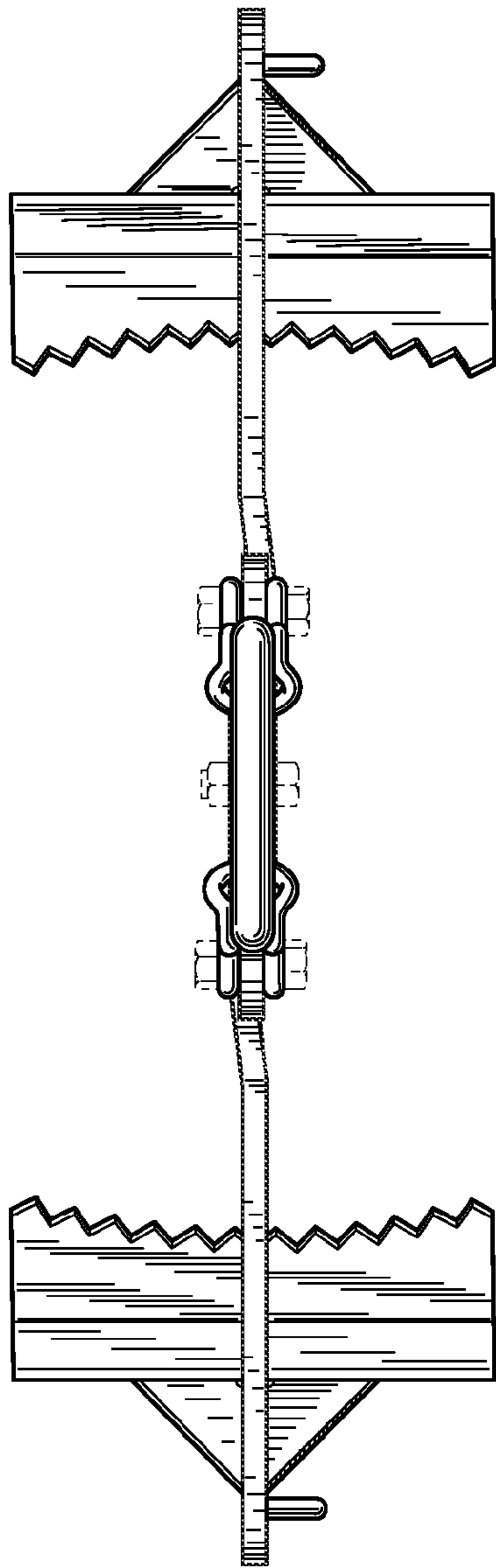


Fig. 6

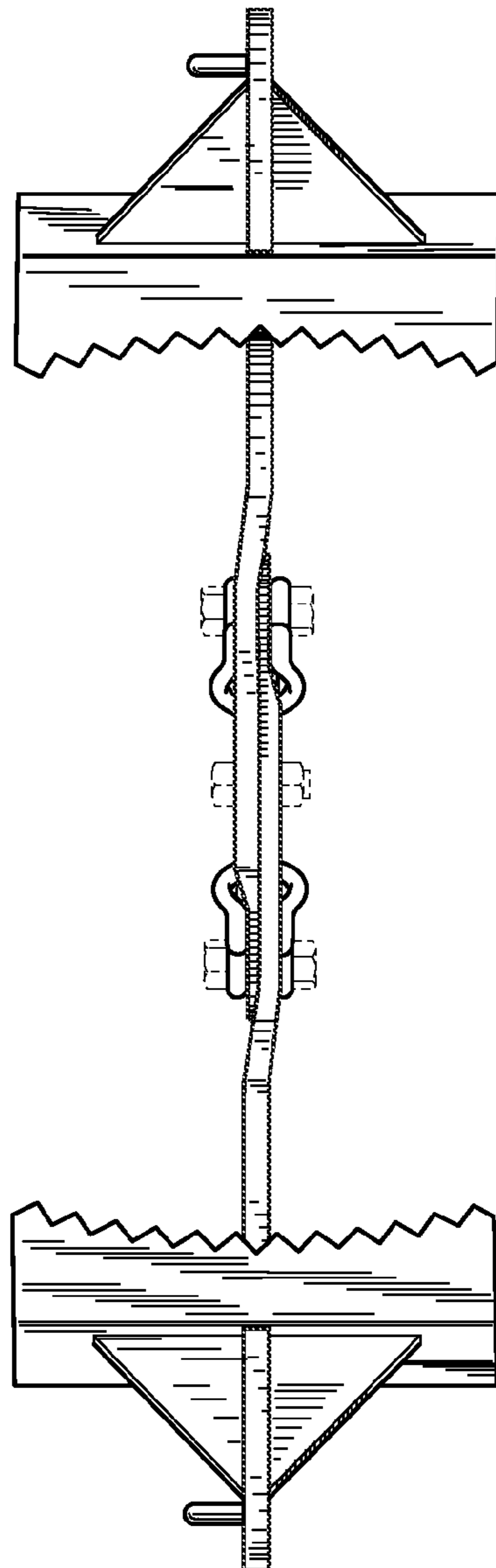


Fig. 7