



US00D598170S

(12) **United States Design Patent**
Benacquisto et al.

(10) **Patent No.:** **US D598,170 S**
(45) **Date of Patent:** **** Aug. 11, 2009**

(54) **FLOOR CLEANING EXTRACTION BASE PORTION**

(75) Inventors: **Justin Benacquisto**, Grand Rapids, MI (US); **Douglas J. Medema**, Belding, MI (US)

(73) Assignee: **Bissell Homecare, Inc.**, Grand Rapids, MI (US)

(**) Term: **14 Years**

(21) Appl. No.: **29/304,959**

(22) Filed: **Mar. 11, 2008**

(51) **LOC (9) Cl.** **15-05**

(52) **U.S. Cl.** **D32/32**

(58) **Field of Classification Search** D32/31-33, D32/22; 15/354, 364, 366, 379, 383, 398, 15/412, 414, 415.1-422, 422.1, 350-351, 15/362, 321-322, 400

See application file for complete search history.

(56) **References Cited**

U.S. PATENT DOCUMENTS

D387,522 S *	12/1997	Medema	D32/31
D393,112 S *	3/1998	Essex et al.	D32/31
D396,905 S *	8/1998	Bradd	D32/32
D420,179 S *	2/2000	Medema et al.	D32/31
D439,380 S *	3/2001	Medema et al.	D32/22

D439,384 S *	3/2001	Medema	D32/32
D463,635 S *	9/2002	Wareham	D32/32
D469,938 S *	2/2003	Wareham et al.	D32/32
D472,353 S *	3/2003	Zahuranec et al.	D32/31
D520,195 S	5/2006	Carr et al.		
D533,698 S *	12/2006	Medema et al.	D32/32
D545,012 S *	6/2007	Parr et al.	D32/32
2006/0288518 A1 *	12/2006	Lenkiwicz et al.	15/322

* cited by examiner

Primary Examiner—Ruth McInroy

(74) *Attorney, Agent, or Firm*—McGarry Bair PC

(57) **CLAIM**

The ornamental design for a floor cleaning extraction base portion, as shown and described.

DESCRIPTION

FIG. 1 is a front perspective view of a floor cleaning extraction base portion which embodies our design;

FIG. 2 is a front view thereof;

FIG. 3 is a rear view thereof;

FIG. 4 is a left side view thereof;

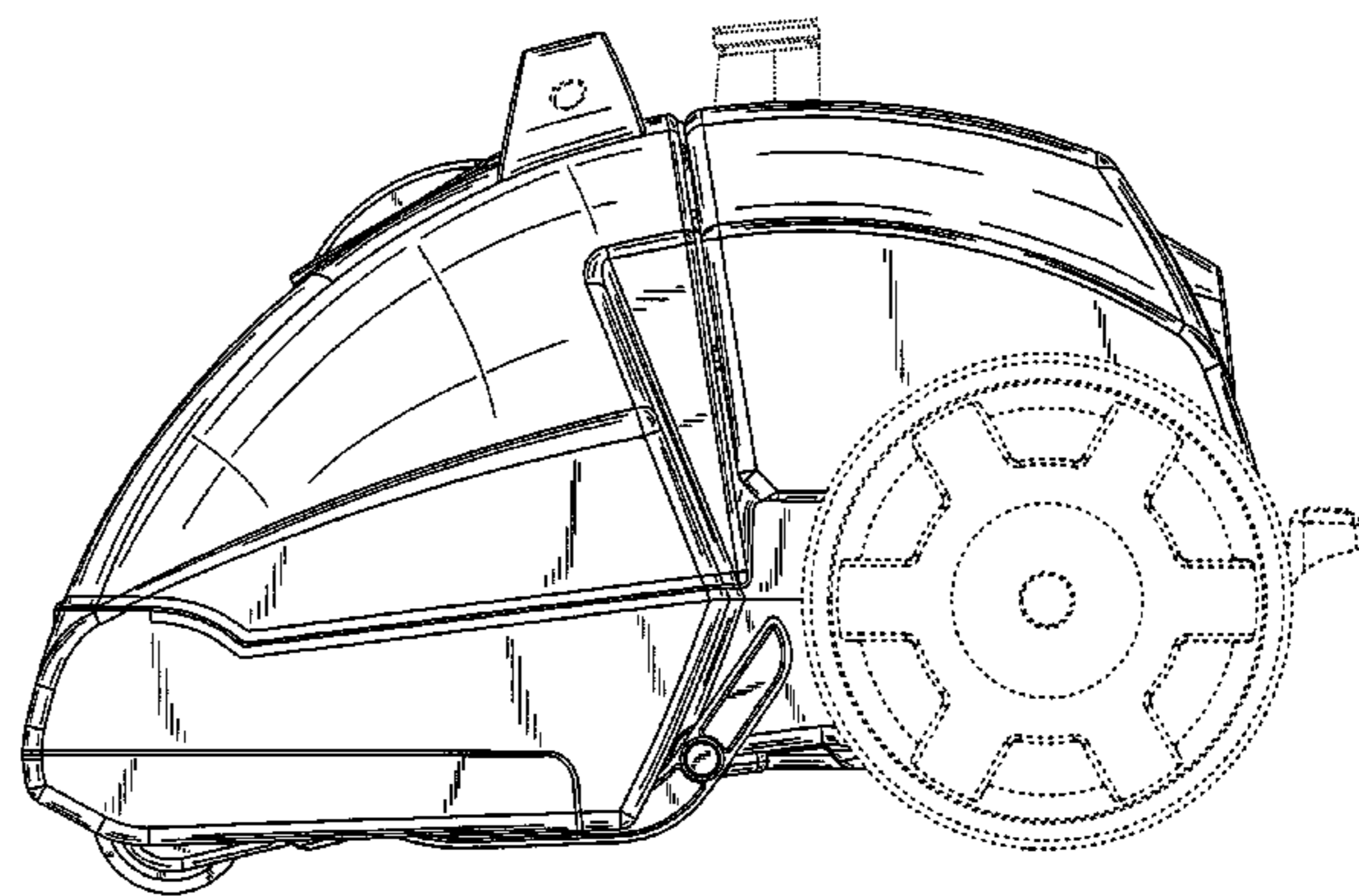
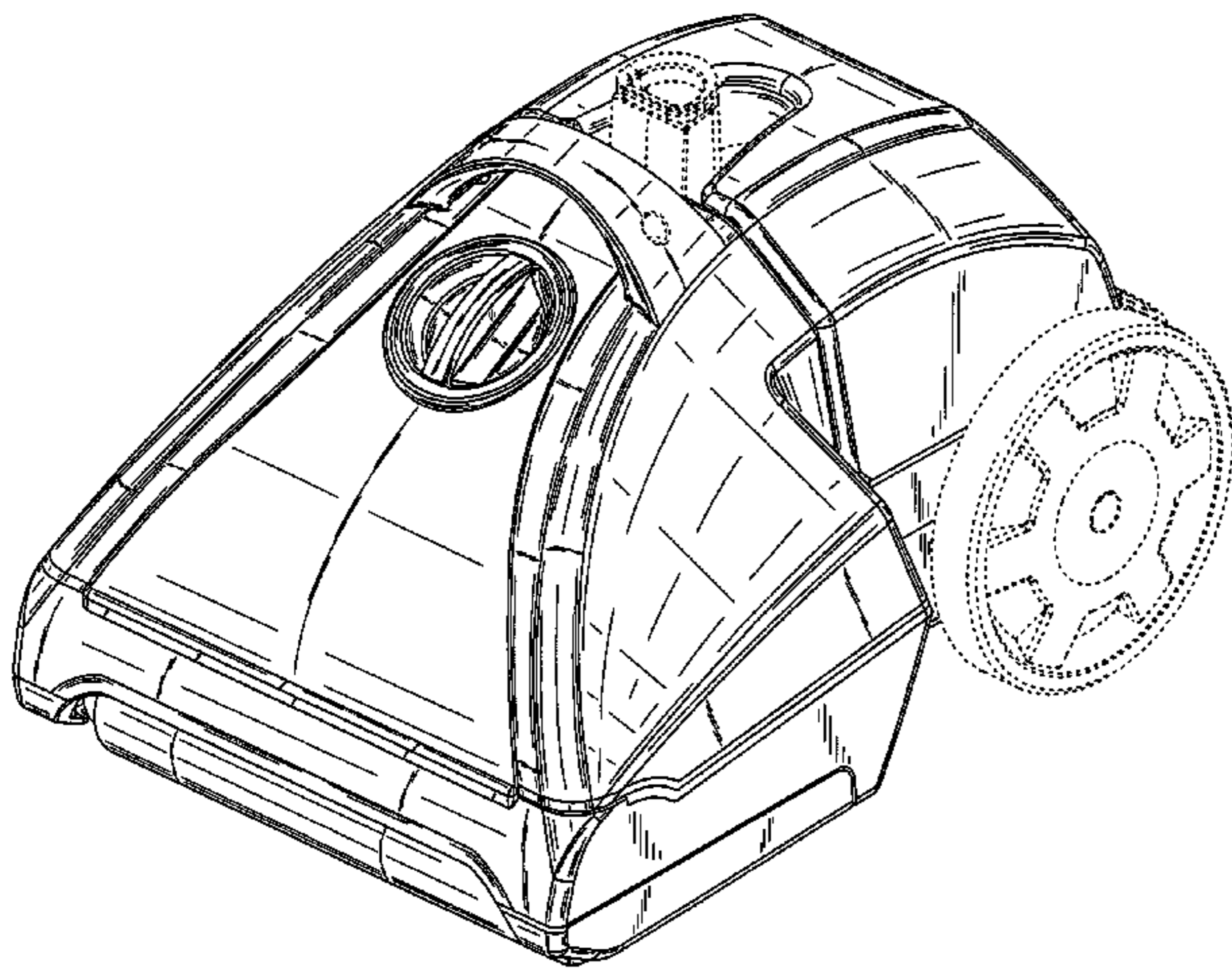
FIG. 5 is a right side view thereof;

FIG. 6 is a top view thereof; and,

FIG. 7 is a rear perspective view thereof.

The material in dotted lines forms no part of our design.

1 Claim, 7 Drawing Sheets



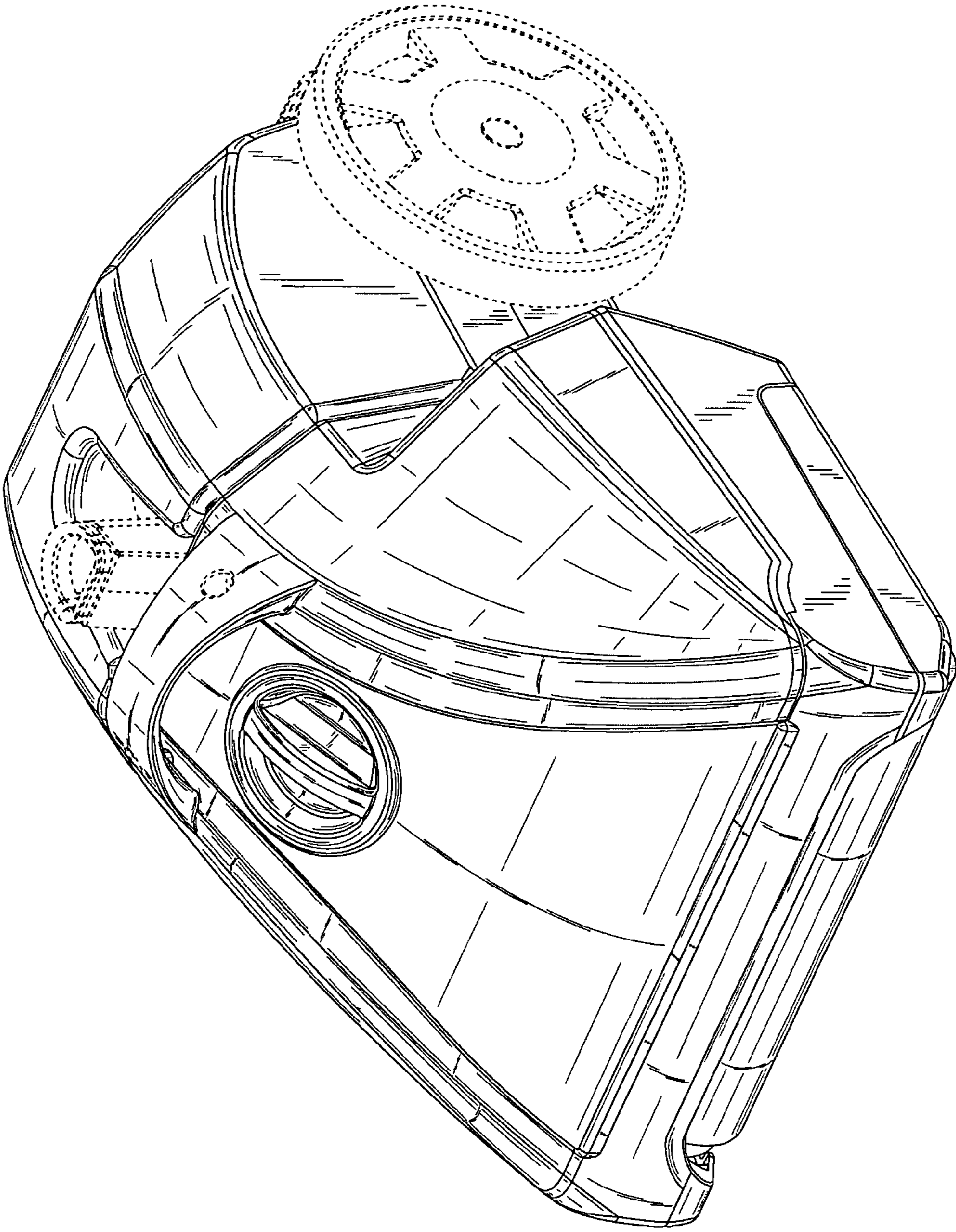


Fig. 1

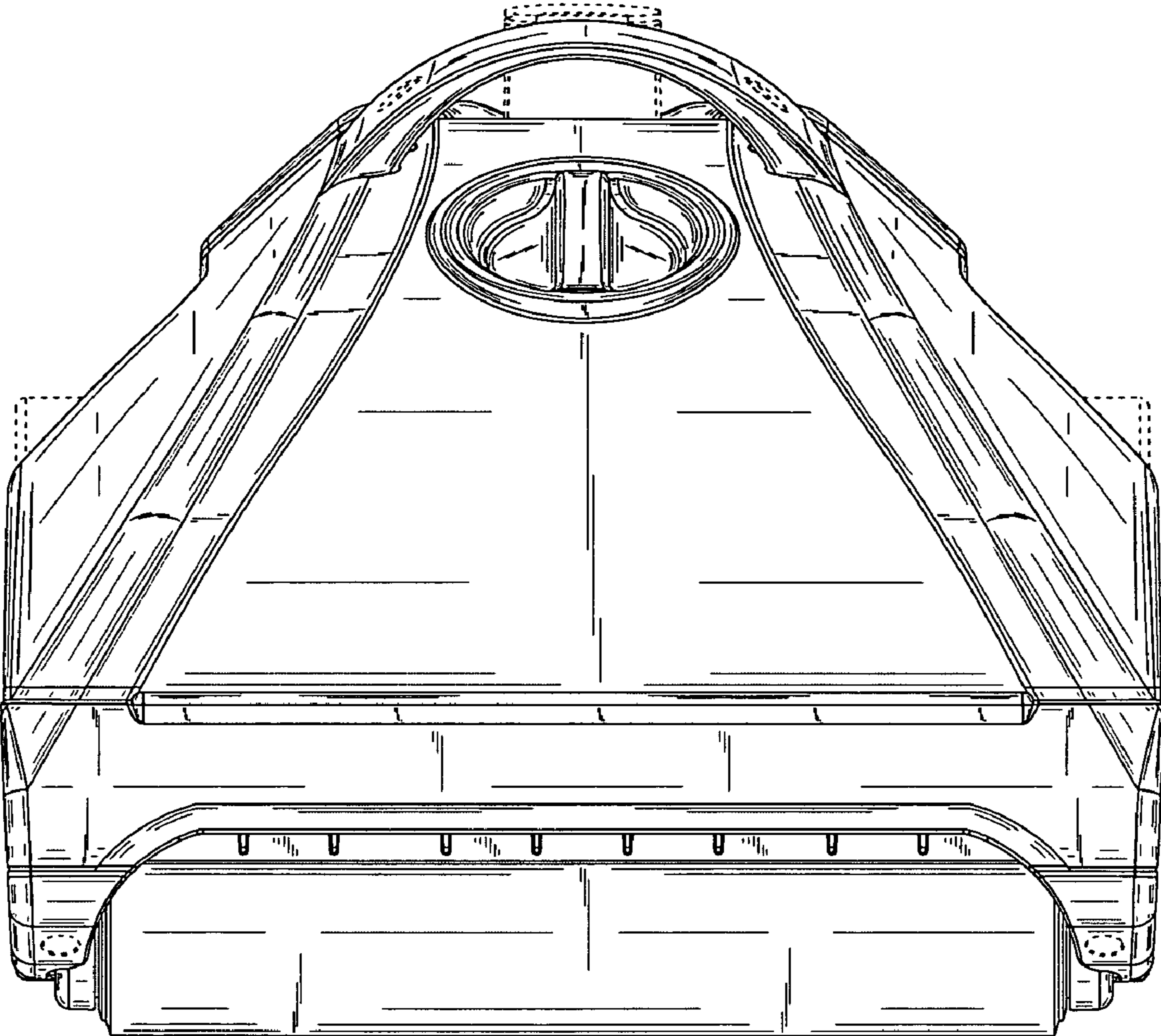


Fig. 2

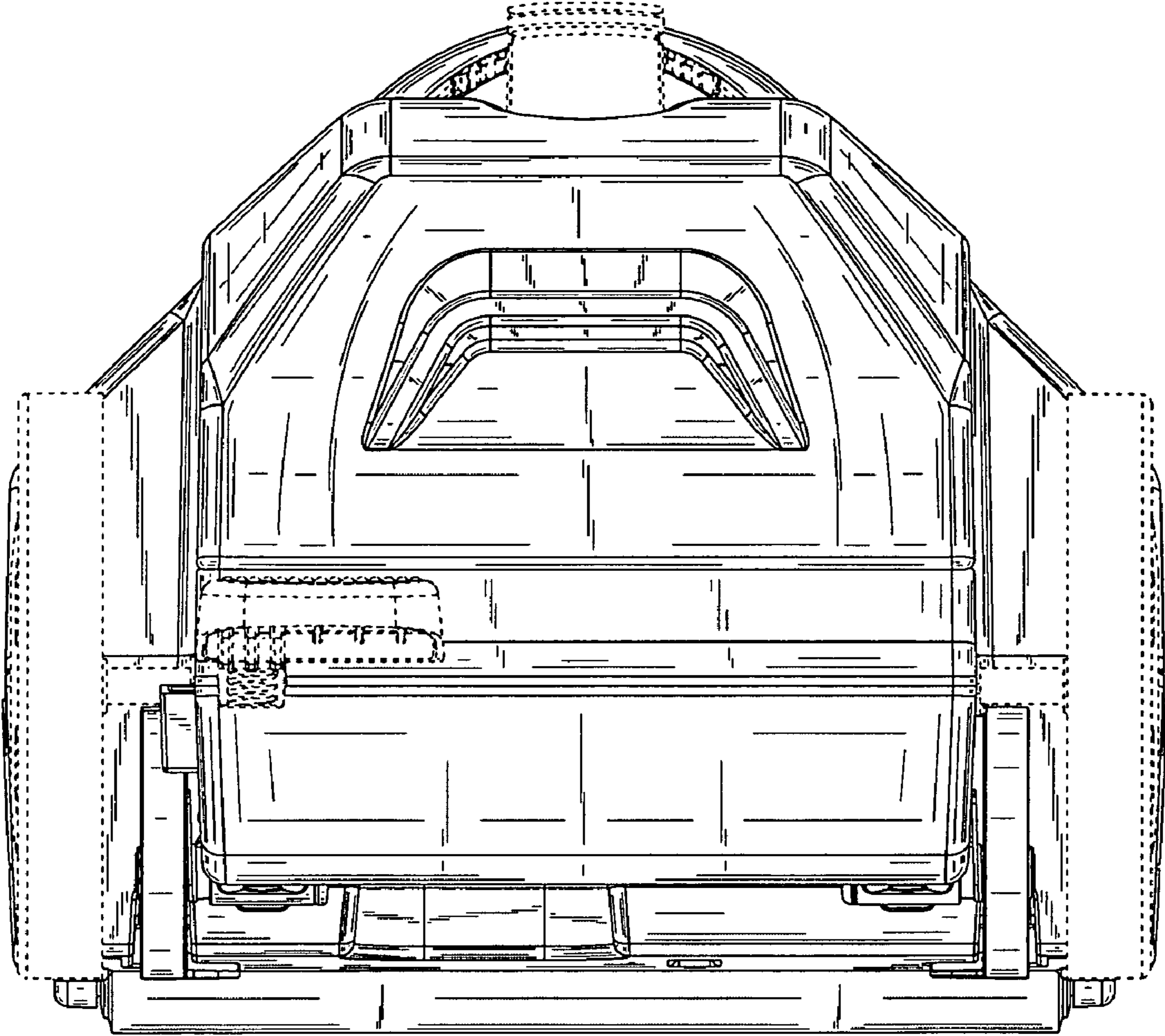


Fig. 3

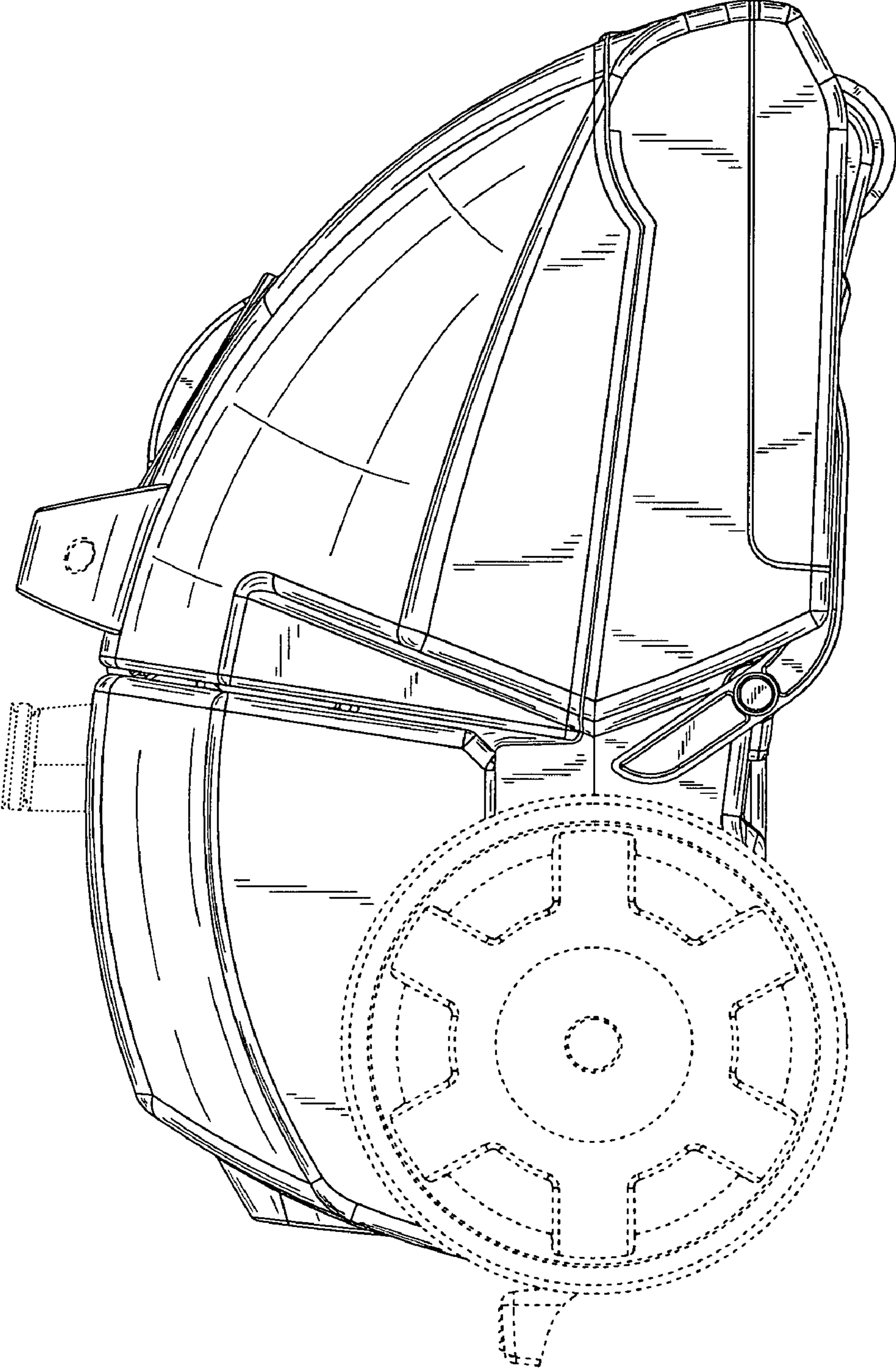


Fig. 4

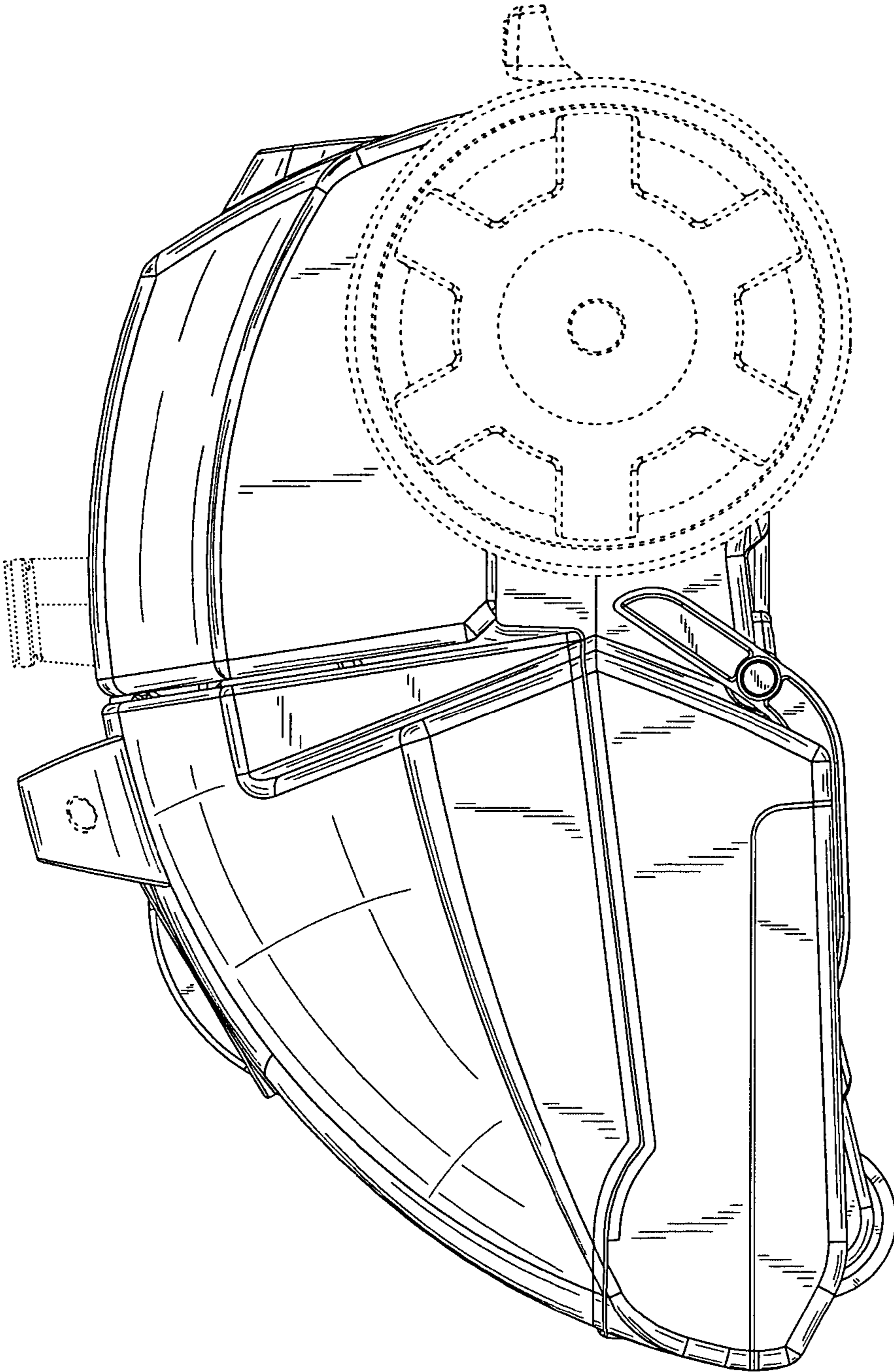


Fig. 5

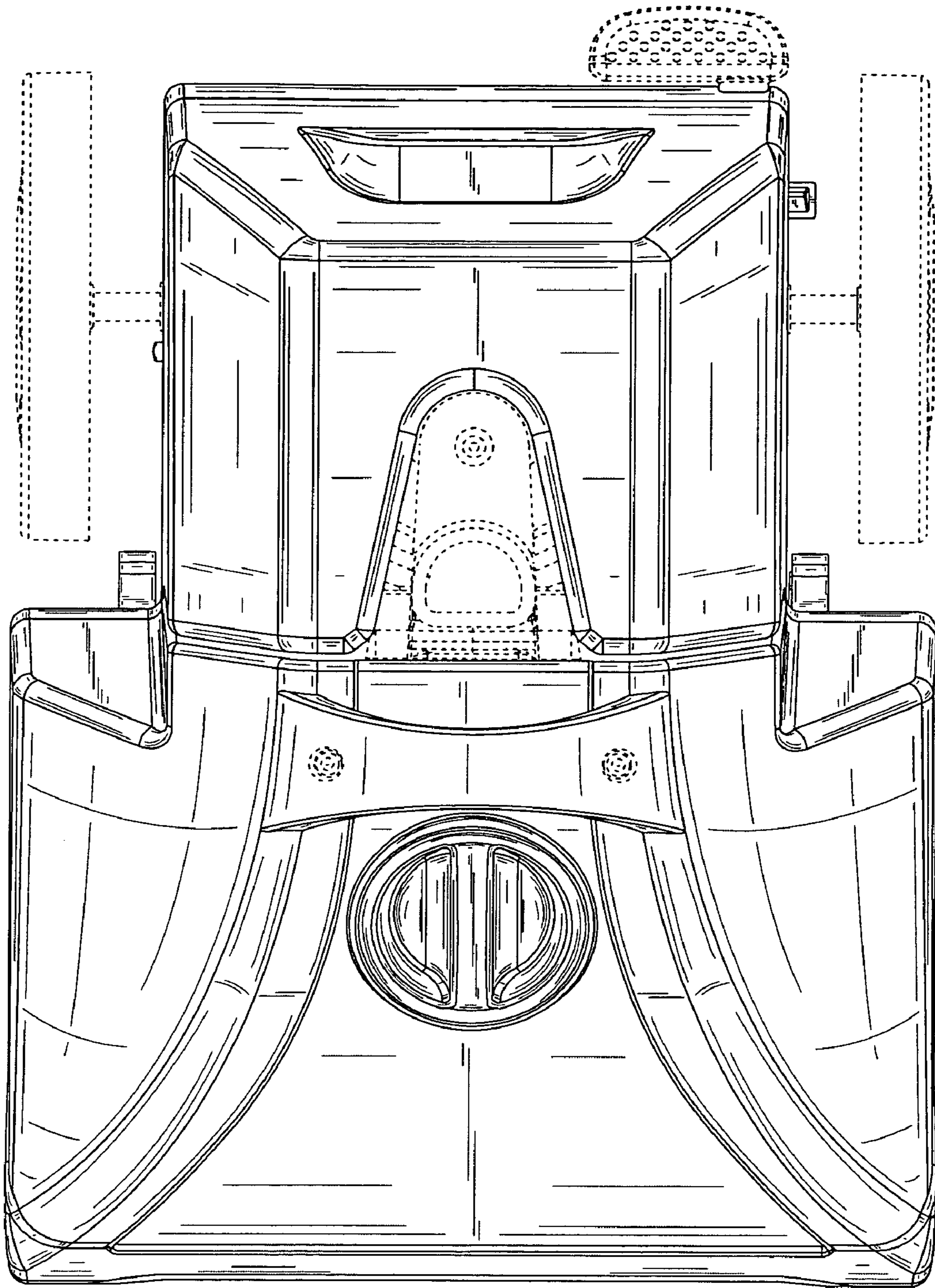


Fig. 6

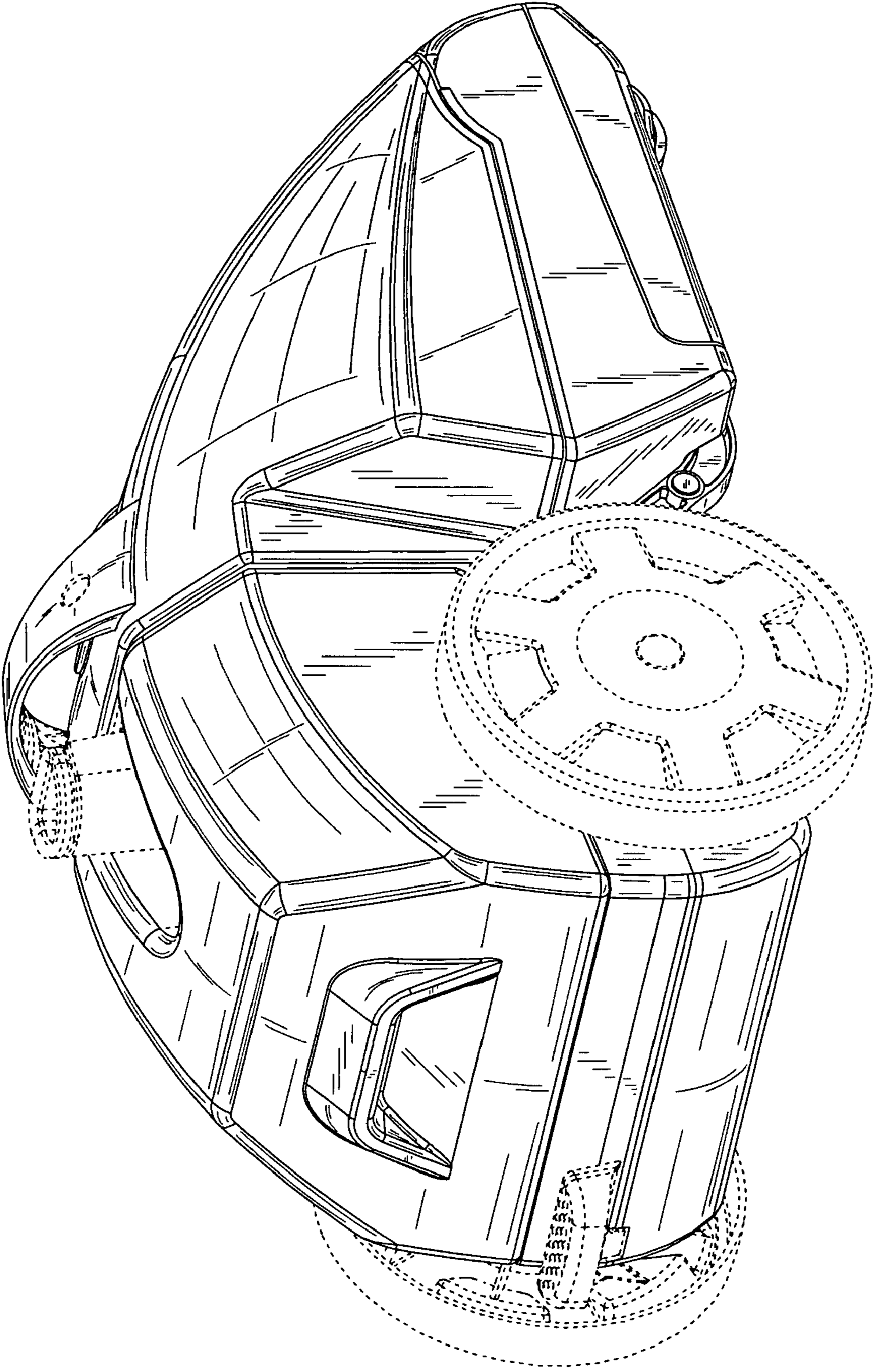


Fig. 7