

US00D598169S

(12) **United States Design Patent**
Benacquisto et al.

(10) **Patent No.:** **US D598,169 S**

(45) **Date of Patent:** **** Aug. 11, 2009**

(54) **FLOOR CLEANING EXTRACTION UPRIGHT PORTION**

(75) Inventors: **Justin Benacquisto**, Grand Rapids, MI (US); **Douglas J. Medema**, Belding, MI (US)

(73) Assignee: **Bissell Homecare, Inc.**, Grand Rapids, MI (US)

(**) Term: **14 Years**

(21) Appl. No.: **29/304,961**

(22) Filed: **Mar. 11, 2008**

(51) **LOC (9) Cl.** **15-05**

(52) **U.S. Cl.** **D32/31**

(58) **Field of Classification Search** D32/21-22, D32/31, 34, 25; 15/347, 350-353, 361, 410-411, 15/335, 366, 229.2, 246.2, 327.1-327.2; 55/366, 429, 315, 356, 372

See application file for complete search history.

(56) **References Cited**

U.S. PATENT DOCUMENTS

D435,708 S	12/2000	Medema et al.	
D453,596 S *	2/2002	Farone et al.	D32/31
D460,228 S *	7/2002	Zahuranec et al.	D32/31
D493,587 S *	7/2004	Downey et al.	D32/31

D493,926 S *	8/2004	Downey et al.	D32/31
D530,473 S	10/2006	Medema et al.	
7,188,388 B2 *	3/2007	Best et al.	15/329
7,267,705 B2 *	9/2007	Choi et al.	55/429
D562,511 S *	2/2008	Medema et al.	D32/34

* cited by examiner

Primary Examiner—Ruth McInroy

(74) *Attorney, Agent, or Firm*—McGarry Bair PC

(57) **CLAIM**

The ornamental design for a floor cleaning extraction upright portion, as shown and described.

DESCRIPTION

FIG. 1 is a front perspective view of a floor cleaning extraction upright portion which embodies our design;

FIG. 2 is a front view thereof;

FIG. 3 is a rear view thereof;

FIG. 4 is a left side view thereof;

FIG. 5 is a right side view thereof;

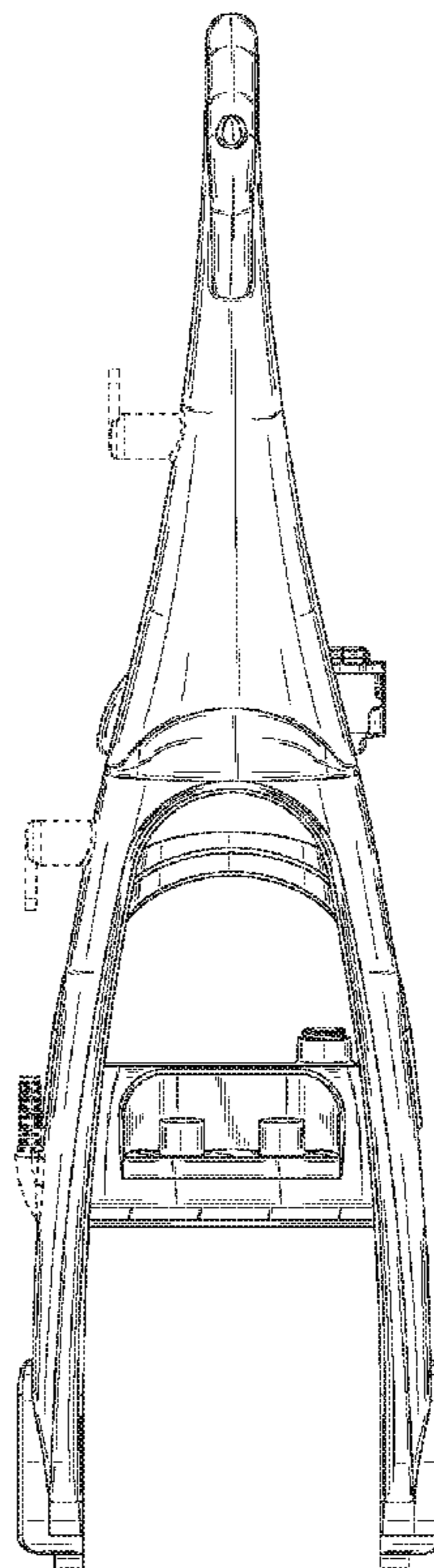
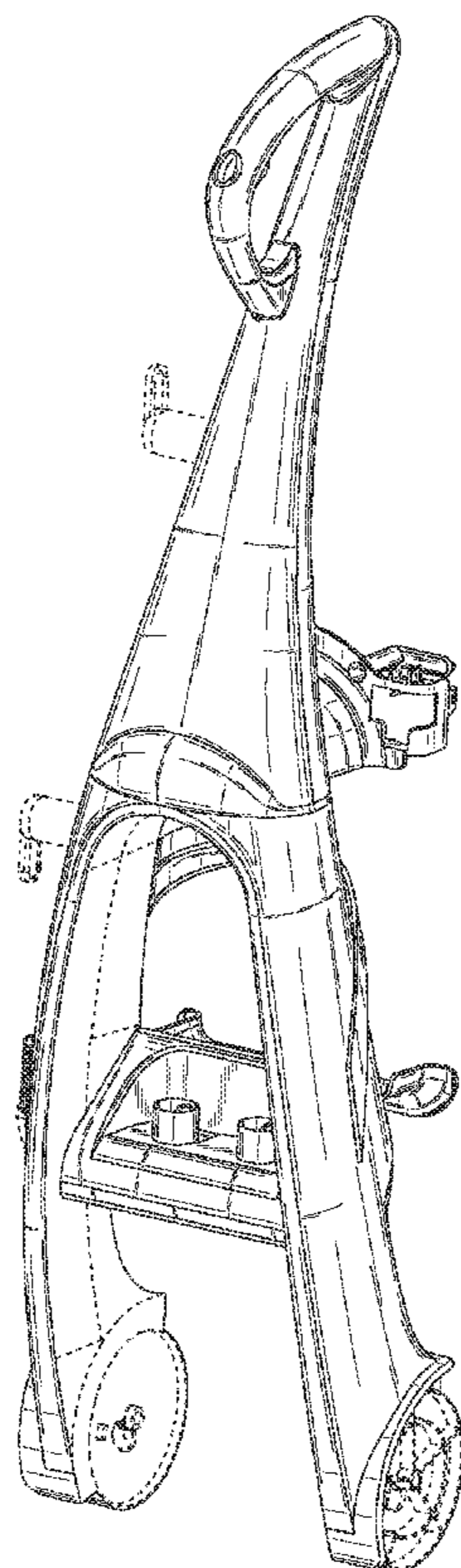
FIG. 6 is a top view thereof;

FIG. 7 is a bottom view thereof; and,

FIG. 8 is a rear perspective view.

The material in dotted lines forms no part of our design.

1 Claim, 5 Drawing Sheets



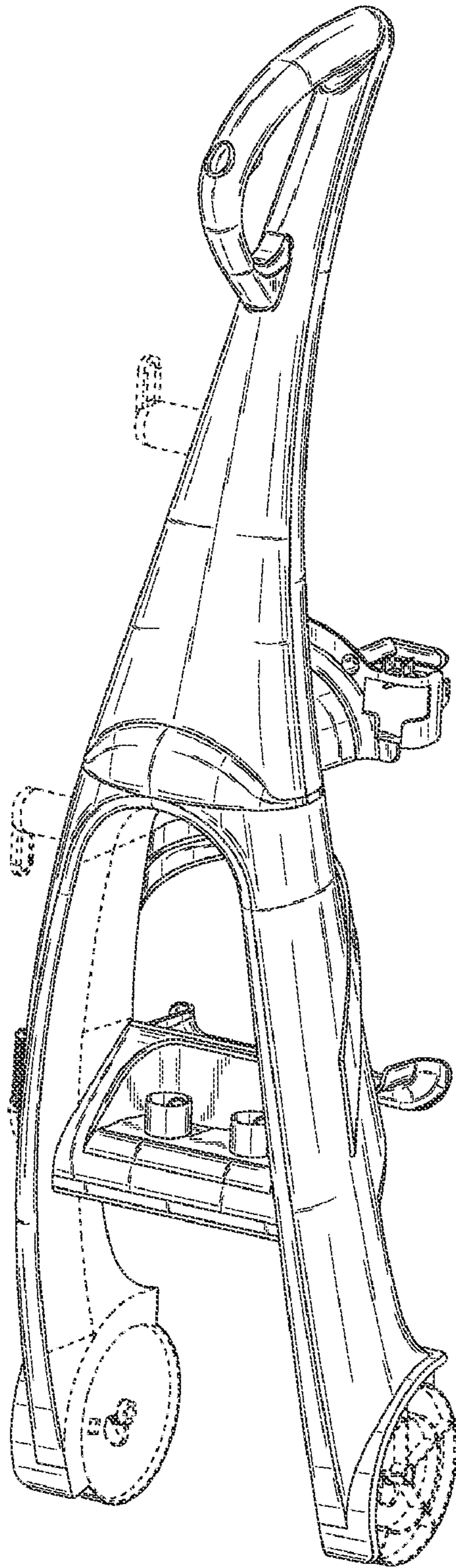


Fig. 1

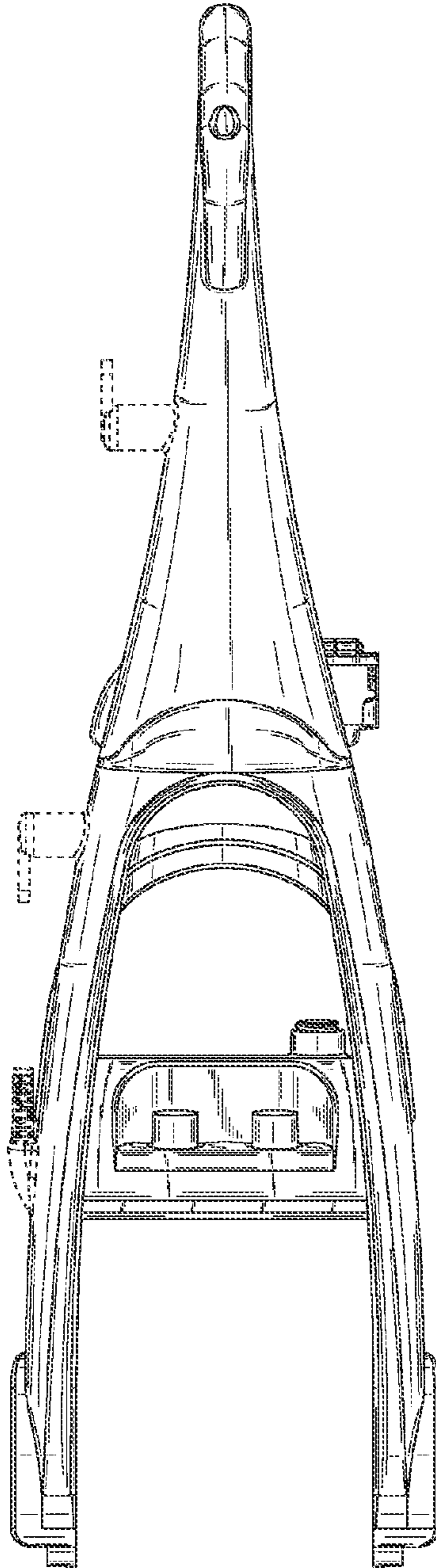


Fig. 2

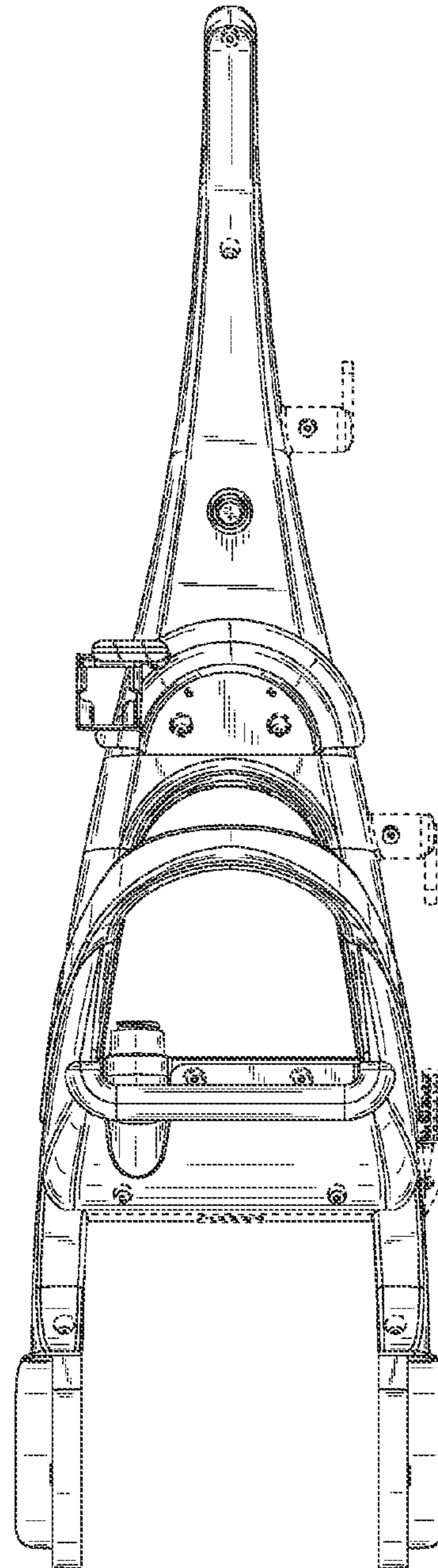


Fig. 3

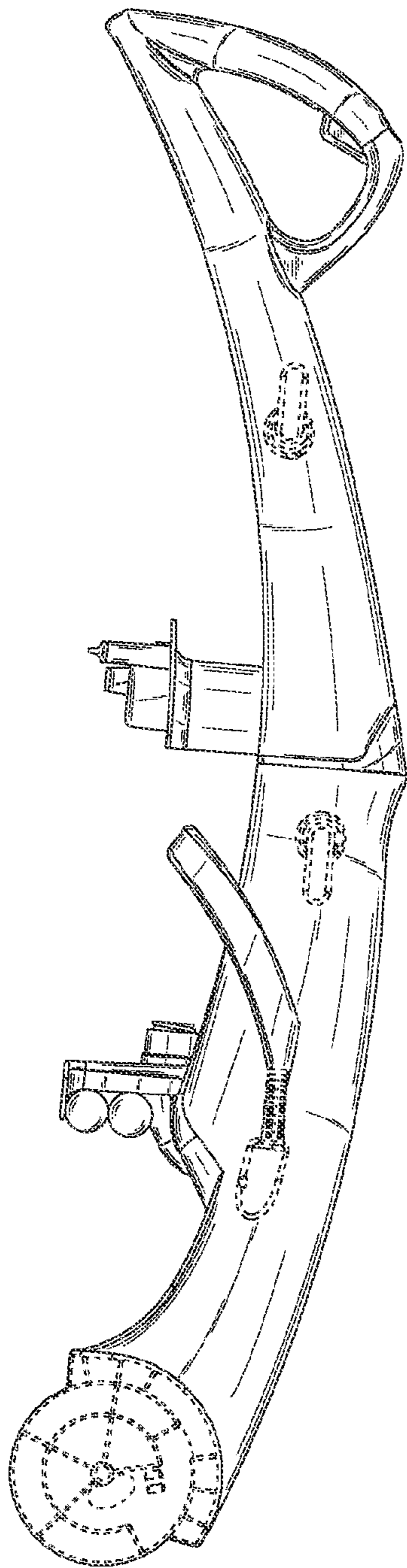


Fig. 4

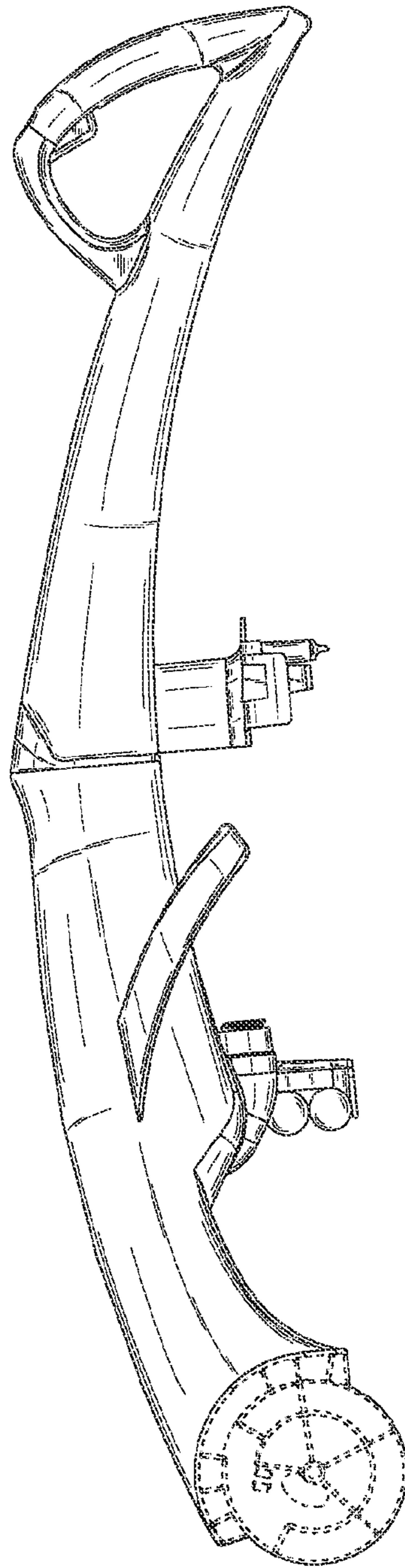


Fig. 5

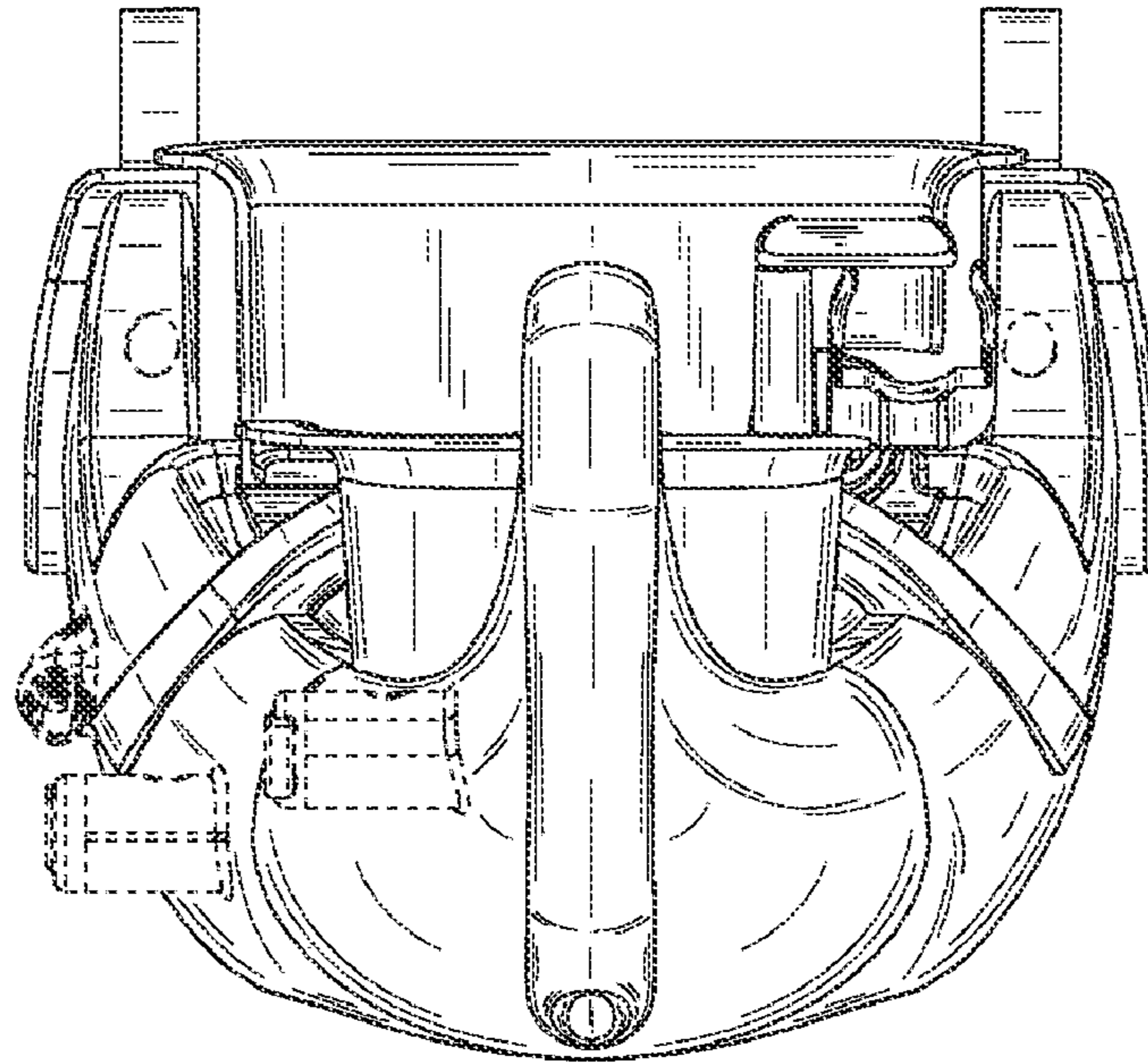


Fig. 6

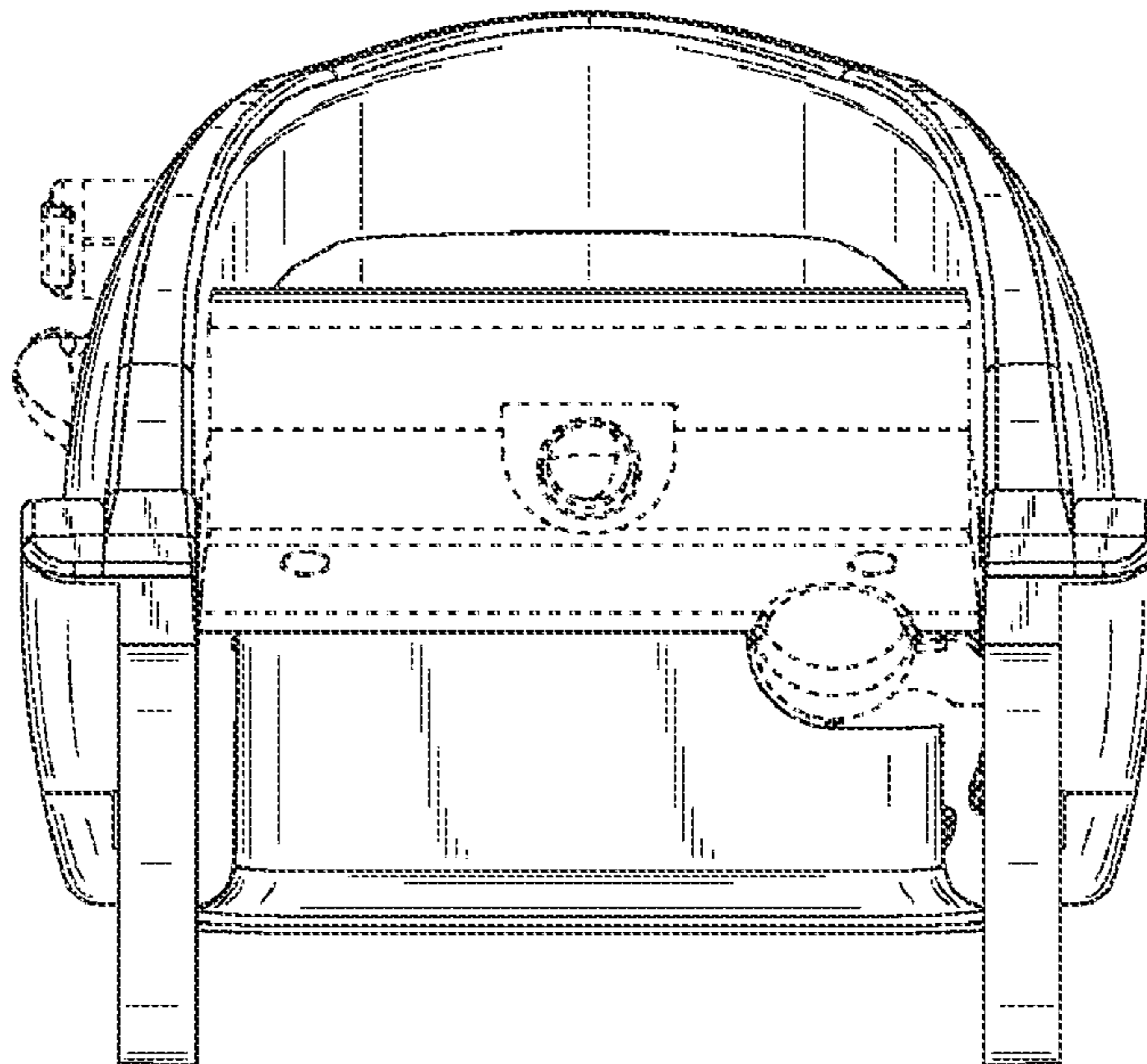


Fig. 7

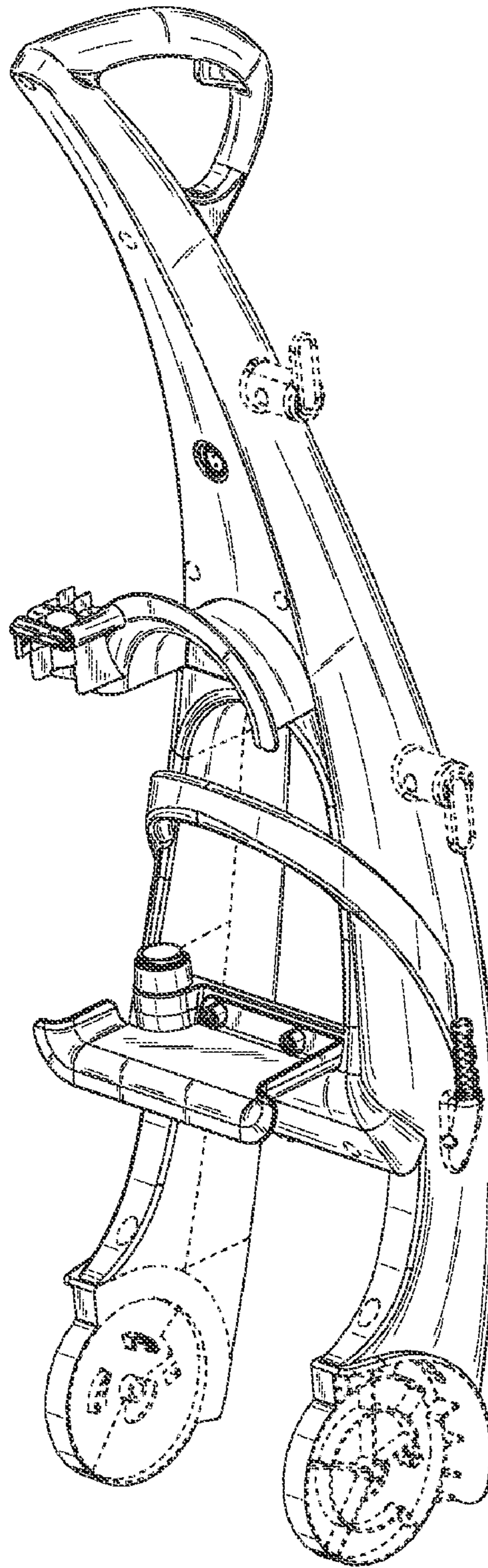


Fig. 8