



US00D598168S

(12) **United States Design Patent**
Sumonthee

(10) **Patent No.:** **US D598,168 S**
(45) **Date of Patent:** **** Aug. 11, 2009**

(54) **POOL CLEANER**

(75) **Inventor:** **Jirawat Sumonthee**, West Palm Beach, FL (US)

(73) **Assignee:** **Hayward Industries, Inc.**, Elizabeth, NJ (US)

(**) **Term:** **14 Years**

(21) **Appl. No.:** **29/324,616**

(22) **Filed:** **Sep. 16, 2008**

(51) **LOC (9) Cl.** **15-05**

(52) **U.S. Cl.** **D32/21**

(58) **Field of Classification Search** D32/1, D32/21, 31; 15/327.1–327.7, 340.2, 412, 15/320–321, 329, 323, 246.2, 353, 1.7; 210/167.16, 210/512.1, 169; 137/544; 901/1, 46
See application file for complete search history.

(56) **References Cited**

U.S. PATENT DOCUMENTS

389,790 A	9/1888	Boutell
1,639,170 A	8/1927	Fell
D144,063 S	3/1946	McAllister
D175,210 S	7/1955	Dreyfuss
D176,635 S	1/1956	Shalvoy
2,751,038 A	6/1956	Acheson
D186,872 S	12/1959	Swann
3,039,122 A	6/1962	Birdsall
3,321,787 A	5/1967	Myers

(Continued)

FOREIGN PATENT DOCUMENTS

EP 0314259 5/1989

(Continued)

OTHER PUBLICATIONS

Tiger Shark Owner's Manual (Mar. 2007) (16 pages).

(Continued)

Primary Examiner—Ruth McInroy

(74) *Attorney, Agent, or Firm*—McCarter & English, LLP

(57) **CLAIM**

The ornamental design for a pool cleaner, as shown and described.

DESCRIPTION

FIG. 1 is a perspective view of a pool cleaner showing my new design;

FIG. 2 is a front elevational view thereof;

FIG. 3 is a rear elevational view thereof;

FIG. 4 is a right side elevational view thereof;

FIG. 5 is a left side elevational view thereof;

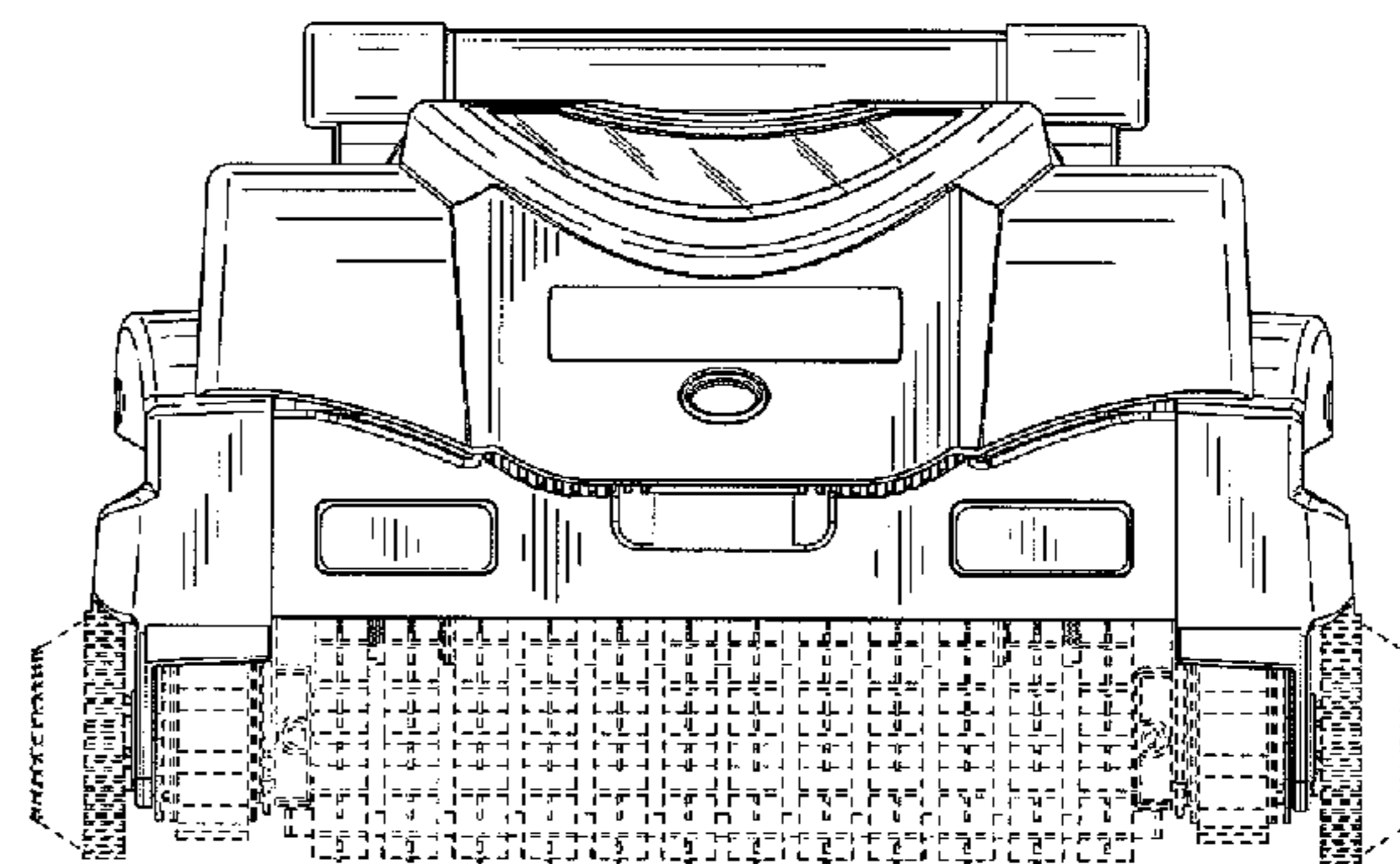
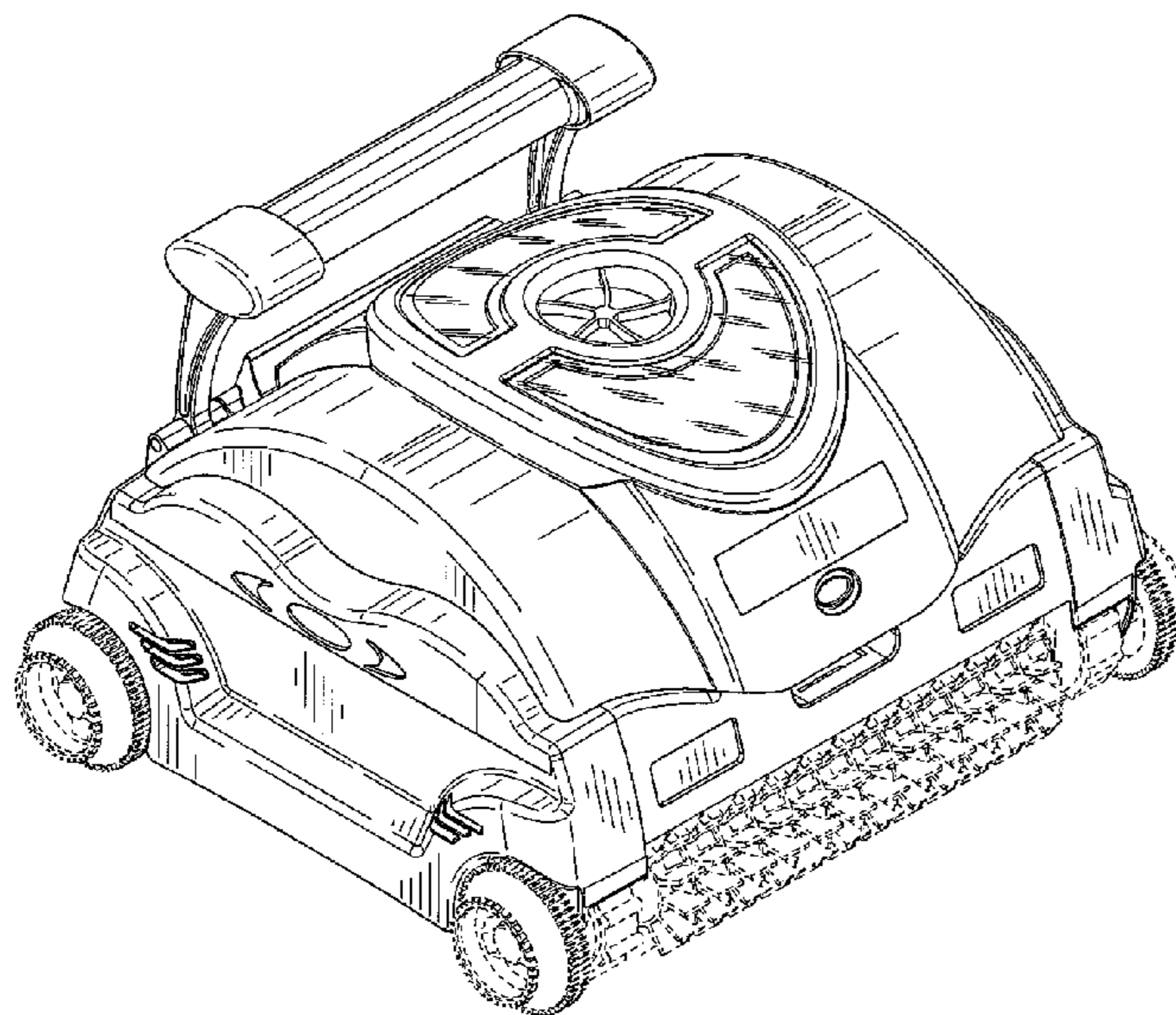
FIG. 6 is a top plan view thereof;

FIG. 7 is a bottom plan view thereof; and,

FIG. 8 is a perspective view thereof, showing a power conduit and power source shown in broken lines.

The details shown in broken lines form no part of the claimed design.

1 Claim, 7 Drawing Sheets



US D598,168 S

U.S. PATENT DOCUMENTS					
3,324,492 A	6/1967	Myers	5,830,350 A	11/1998	Voss et al.
3,337,889 A	8/1967	West	5,842,243 A	12/1998	Horvath et al.
3,347,386 A	10/1967	Kraissl, Jr.	5,882,512 A	3/1999	Denkewicz, Jr. et al.
3,439,368 A	4/1969	Myers	D408,104 S *	4/1999	Adam D32/1
RE26,741 E	12/1969	Myers	5,930,856 A	8/1999	Van Der Meyden et al.
3,551,930 A	1/1971	Myers	5,935,179 A	8/1999	Kleiner et al.
3,665,942 A	5/1972	Moore	5,961,822 A	10/1999	Polimeni, Jr.
3,688,908 A	9/1972	Myers et al.	D417,322 S *	11/1999	Hollinger D32/1
3,689,408 A	9/1972	Edmiston et al.	5,985,156 A	11/1999	Henkin et al.
3,767,055 A	10/1973	Flatland	5,996,906 A	12/1999	Cooper
3,972,339 A	8/1976	Henkin et al.	D418,640 S *	1/2000	Veloskey et al. D32/1
3,979,788 A	9/1976	Strausak	6,013,178 A	1/2000	Strano et al.
4,009,675 A	3/1977	Zöllner et al.	6,039,886 A	3/2000	Henkin et al.
4,154,680 A	5/1979	Sommer	6,049,933 A	4/2000	McLaughlin
4,168,557 A	9/1979	Rasch	6,090,219 A	7/2000	Henkin et al.
4,306,329 A	12/1981	Yokoi	D430,368 S	8/2000	Porat et al.
D264,797 S	6/1982	Burglin et al.	6,094,764 A	8/2000	Veloskey et al.
4,351,077 A	9/1982	Hofmann	6,099,658 A	8/2000	Porat
4,402,101 A	9/1983	van Zyl	D430,960 S	9/2000	van der Meyden et al.
4,431,538 A	2/1984	Selsted	D430,962 S	9/2000	Porat et al.
4,589,986 A	5/1986	Greskovics et al.	6,112,354 A	9/2000	Stoltz et al.
4,651,376 A	3/1987	Ford	6,115,864 A	9/2000	Davidsson et al.
4,652,366 A	3/1987	Brooks	6,125,492 A	10/2000	Prowse
4,692,956 A	9/1987	Kassis	D433,545 S *	11/2000	Hollinger et al. D32/1
4,761,848 A	8/1988	Hofmann	6,155,657 A	12/2000	Erlich et al.
4,768,532 A	9/1988	Johnson	D436,700 S	1/2001	Forbes et al.
4,769,867 A	9/1988	Stoltz	6,200,487 B1	3/2001	Denkewicz, Jr. et al.
4,776,953 A	10/1988	Frentzel	6,206,547 B1	3/2001	Erlich
4,802,592 A	2/1989	Wessels	6,212,725 B1	4/2001	Porat
4,807,318 A	2/1989	Kallenbach	6,238,553 B1	5/2001	Lin
4,849,024 A	7/1989	Supra	D445,225 S	7/2001	Schaub
D304,505 S	11/1989	Maier et al.	6,280,611 B1	8/2001	Henkin et al.
D315,624 S	3/1991	Kimura et al.	6,299,699 B1	10/2001	Porat et al.
5,014,382 A	5/1991	Kallenbach	6,357,478 B1	3/2002	Campbell et al.
5,093,950 A	3/1992	Heier	6,365,039 B1	4/2002	Henkin et al.
5,099,535 A	3/1992	Chauvier et al.	6,387,250 B1	5/2002	Henkin et al.
D325,452 S	4/1992	Gefter	6,398,878 B1	6/2002	Henkin et al.
D325,796 S	4/1992	Kallenbach	6,409,916 B1	6/2002	Zelas et al.
5,105,496 A	4/1992	Gray, Jr. et al.	6,412,133 B1	7/2002	Erlich et al.
D328,778 S	8/1992	Gefter et al.	D463,889 S	10/2002	Buzzi
5,143,605 A	9/1992	Masciarelli	6,473,927 B1	11/2002	Sommer
D330,582 S	10/1992	Gefter et al.	6,485,638 B2	11/2002	Henkin et al.
5,169,236 A	12/1992	Iest	D469,589 S	1/2003	Wichmann et al.
5,172,445 A	12/1992	Chandler	D474,312 S	5/2003	Stephens et al.
5,197,158 A	3/1993	Moini	6,564,417 B2	5/2003	Porat
5,226,205 A	7/1993	Pearce	6,601,255 B1	8/2003	van der Meyden et al.
5,265,297 A	11/1993	Gould et al.	D481,181 S	10/2003	Lath et al.
D346,888 S	5/1994	Stone	6,652,742 B2	11/2003	Henkin et al.
5,337,434 A	8/1994	Erlich	6,742,613 B2	6/2004	Erlich et al.
5,351,355 A	10/1994	Chiniara	6,758,226 B2	7/2004	Porat
5,364,512 A	11/1994	Earl	6,815,918 B2	11/2004	Porat et al.
5,412,826 A	5/1995	Raubenheimer	6,842,931 B2 *	1/2005	Porat et al. 15/1.7
5,435,031 A	7/1995	Minami et al.	6,886,205 B1	5/2005	Pichon
D361,178 S	8/1995	Piret	6,954,960 B2 *	10/2005	Pichon 15/1.7
5,450,644 A	9/1995	Berman	6,965,814 B2	11/2005	Hadari
5,450,645 A	9/1995	Atkins	6,971,136 B2	12/2005	Horvath et al.
5,507,058 A	4/1996	Minami et al.	6,979,400 B2	12/2005	Bauckman et al.
5,546,982 A	8/1996	Clark et al.	7,001,159 B2	2/2006	Peterson, Jr. et al.
5,554,277 A	9/1996	Rief et al.	7,039,980 B2	5/2006	Van Der Meyden et al.
5,569,371 A	10/1996	Perling	D524,495 S	7/2006	Ljunggren
D375,592 S	11/1996	Ljunggren	D526,101 S	8/2006	Blanc-Tailleur
5,604,950 A	2/1997	Stern	7,089,876 B2	8/2006	Porat
5,617,600 A	4/1997	Frattini	7,103,449 B2	9/2006	Woo et al.
5,634,229 A	6/1997	Stoltz	D529,669 S *	10/2006	Blanc-Tailleur D32/1
5,645,721 A	7/1997	Carroll, Jr.	7,117,554 B2	10/2006	Pichon
D384,782 S	10/1997	Gefter	7,118,632 B2	10/2006	Sumonthee
5,681,110 A	10/1997	Burzacchi	7,118,678 B2	10/2006	Porat
5,720,068 A	2/1998	Clark et al.	7,165,284 B2	1/2007	Erlich et al.
5,771,987 A	6/1998	Marbach	D537,576 S	2/2007	Koury et al.
5,802,653 A	9/1998	Roumagnac	7,213,287 B2	5/2007	Hui
D400,319 S *	10/1998	Hofheins et al. D32/1	D550,906 S	9/2007	Fritz et al.
			7,316,751 B2	1/2008	Horvath et al.
			7,318,448 B2	1/2008	Fleischer et al.

US D598,168 S

Page 3

7,395,571	B2	7/2008	Van Der Meijden et al.	EP	0468876	1/1992
2002/0116772	A1	8/2002	Phillipson et al.	EP	0990749	4/2000
2003/0177594	A1	9/2003	Van Der Meyden et al.	FR	2584442	1/1987
2004/0007522	A1	1/2004	Garti	FR	2693499	1/1994
2004/0021439	A1	2/2004	Porat et al.	WO	WO 99/63185	12/1999
2004/0216251	A1	11/2004	Van Der Meijden et al.			
2006/0054229	A1	3/2006	van der Meijden et al.			
2006/0101596	A1	5/2006	Hui et al.			
2006/0177325	A1	8/2006	Peterson, Jr. et al.			
2006/0207041	A1	9/2006	Van Der Meyden et al.			
2006/0225768	A1	10/2006	Erlich et al.			
2007/0028405	A1	2/2007	Garti			
2007/0056124	A1	3/2007	Wichmann et al.			
2007/0067930	A1	3/2007	Garti			
2007/0094817	A1	5/2007	Stoltz et al.			
2007/0251032	A1	11/2007	Pichon et al.			
2007/0251859	A1	11/2007	Zhu			
2007/0272274	A1	11/2007	Adam et al.			
2008/0087299	A1	4/2008	Erlich et al.			
2008/0128343	A1	6/2008	Garti			
2008/0222821	A1	9/2008	Pichon			
2008/0235887	A1	10/2008	Horvath et al.			
2008/0236628	A1	10/2008	Horvath et al.			

FOREIGN PATENT DOCUMENTS

EP 0426365 5/1991

OTHER PUBLICATIONS

Copy of Co-Owned U.S. Appl. No. 12/211,720, entitled: "Apparatus for Facilitating Maintenance of a Pool Cleaning Device," filed Sep. 16, 2008 (46 pages).

Digital Image of Squirrel Cleaner (more than one year prior to Sep. 16, 2008) (1 page).

Digital Image of Pool Rover Cleaner (more than one year prior to Sep. 16, 2008) (1 page).

Digital Image of Robby Cleaner (more than one year prior to Sep. 16, 2008) (1 page).

Digital Image of Dolphin Cleaner (more than one year prior to Sep. 16, 2008) (1 page).

Digital Image of Merlin Cleaner (more than one year prior to Sep. 16, 2008) (1 page).

Digital Image of Aquabot Cleaner (more than one year prior to Sep. 16, 2008) (1 page).

* cited by examiner

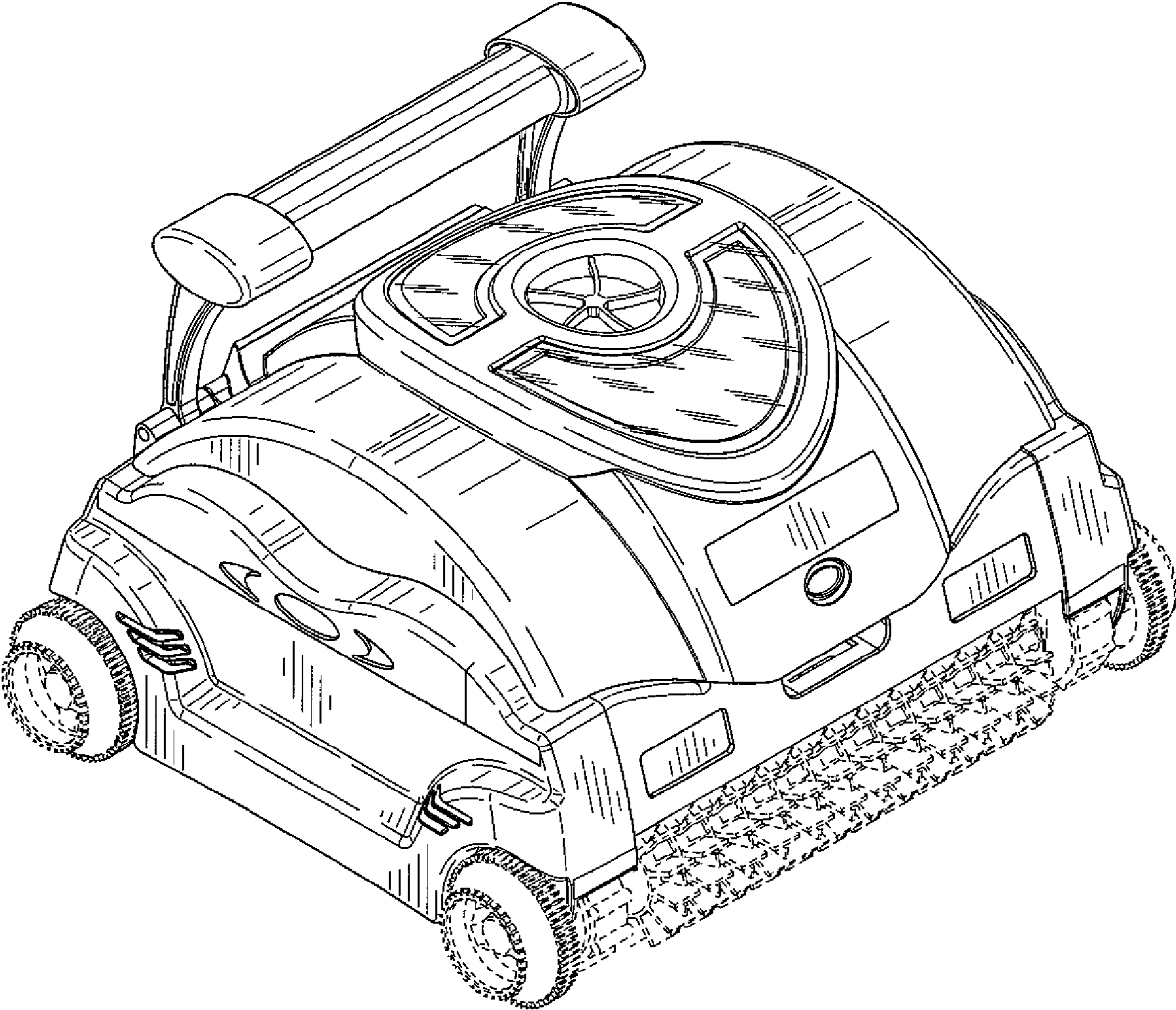


FIG. 1

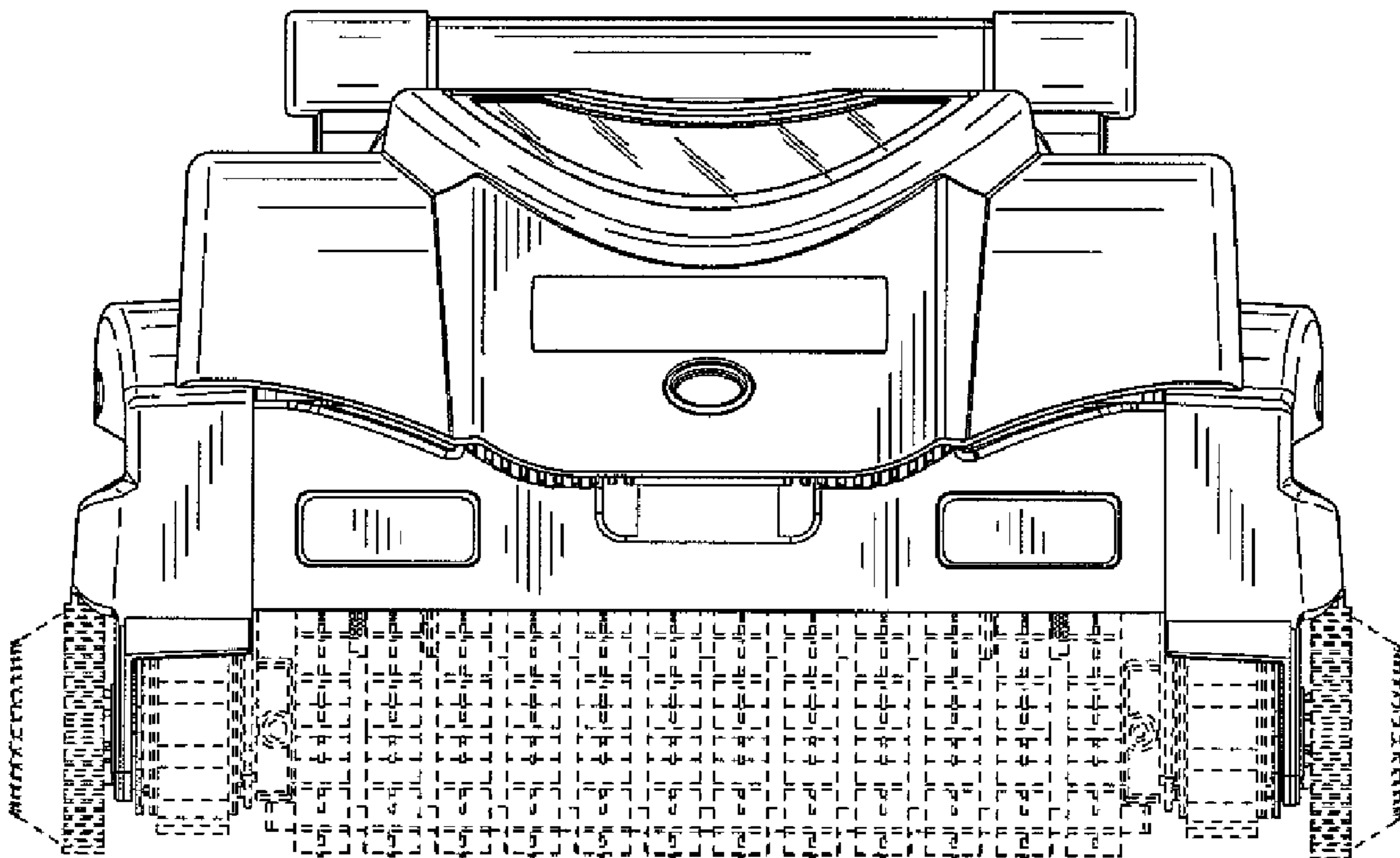


FIG. 2

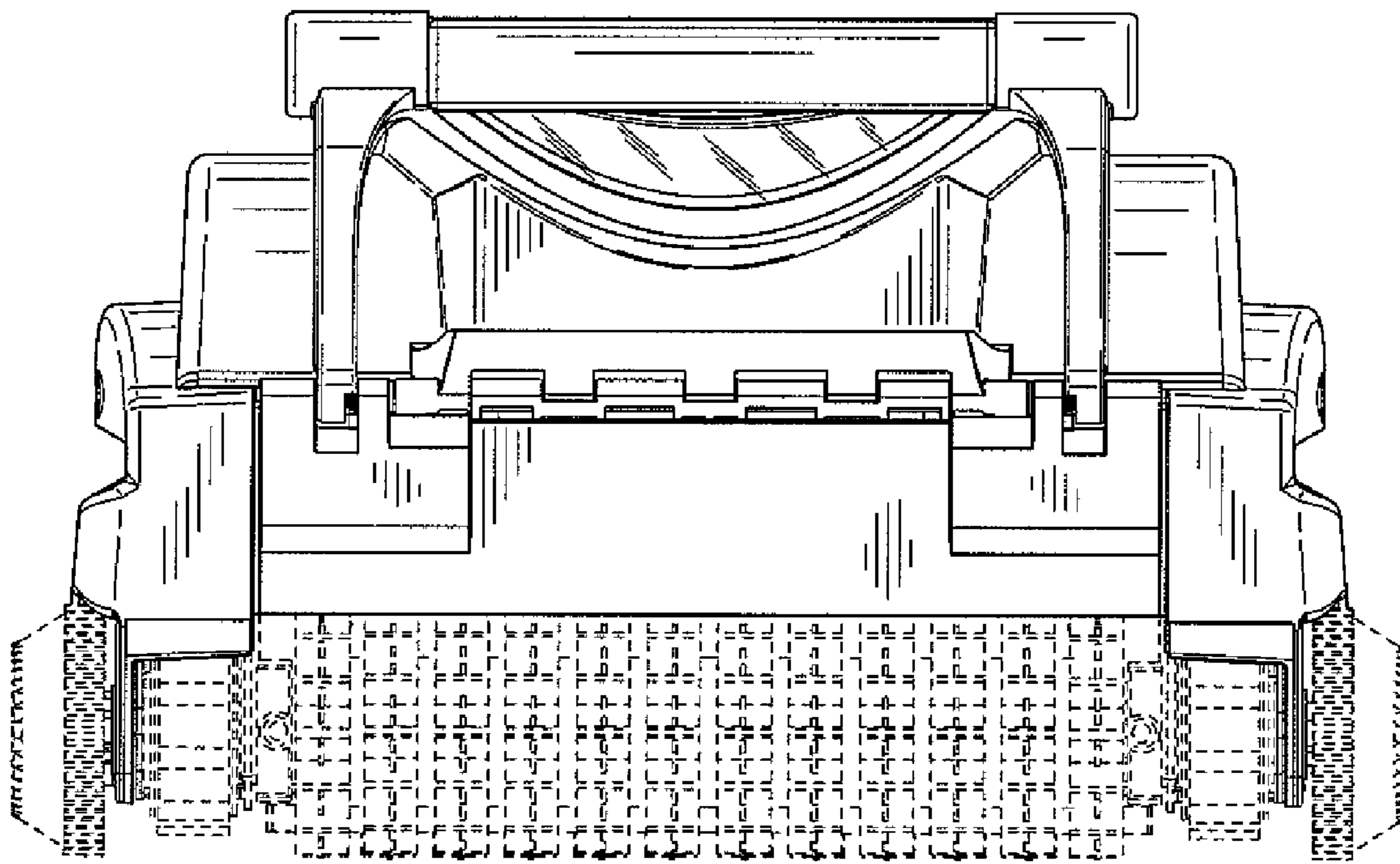


FIG. 3

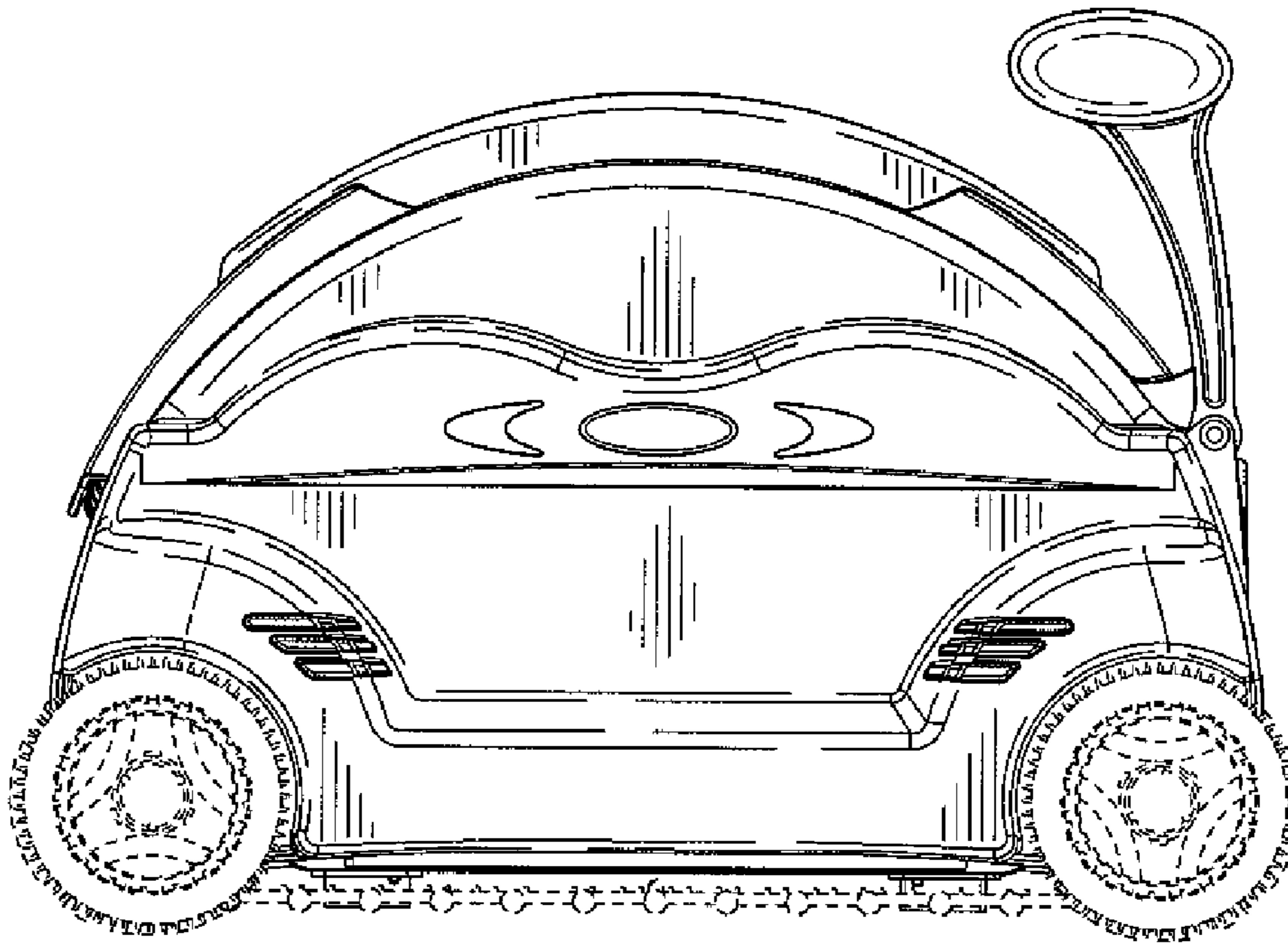


FIG. 4

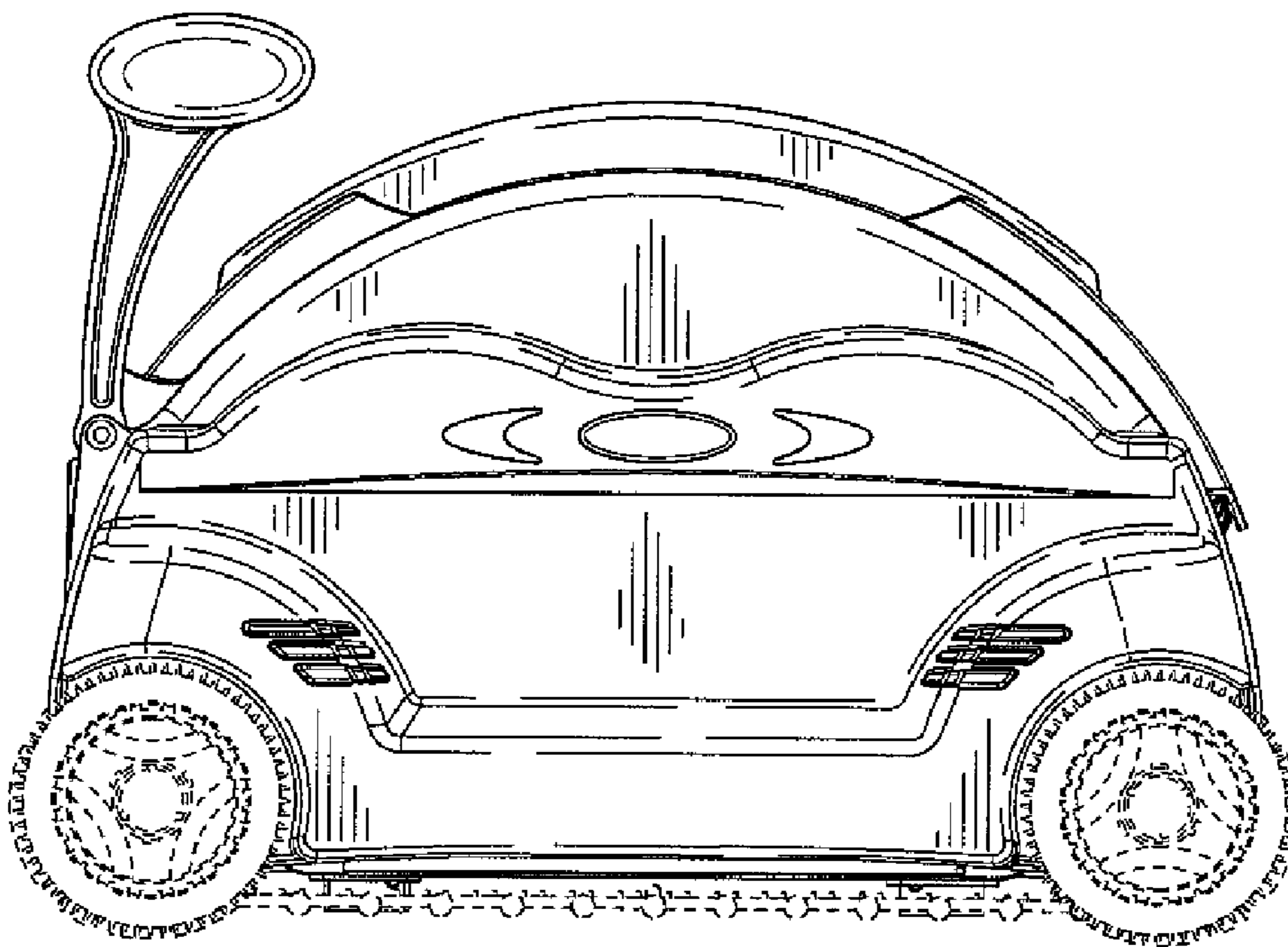


FIG. 5

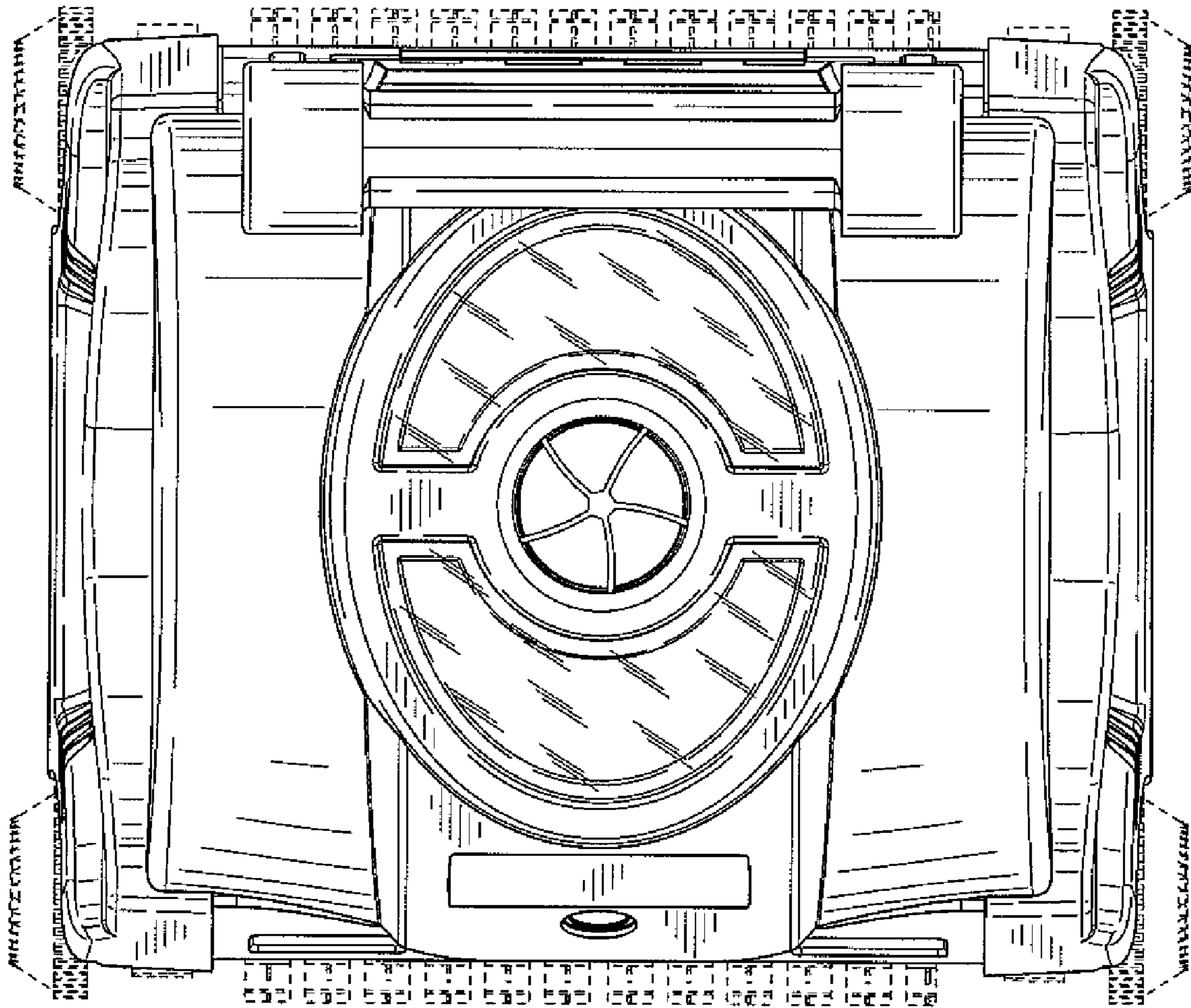


FIG. 6

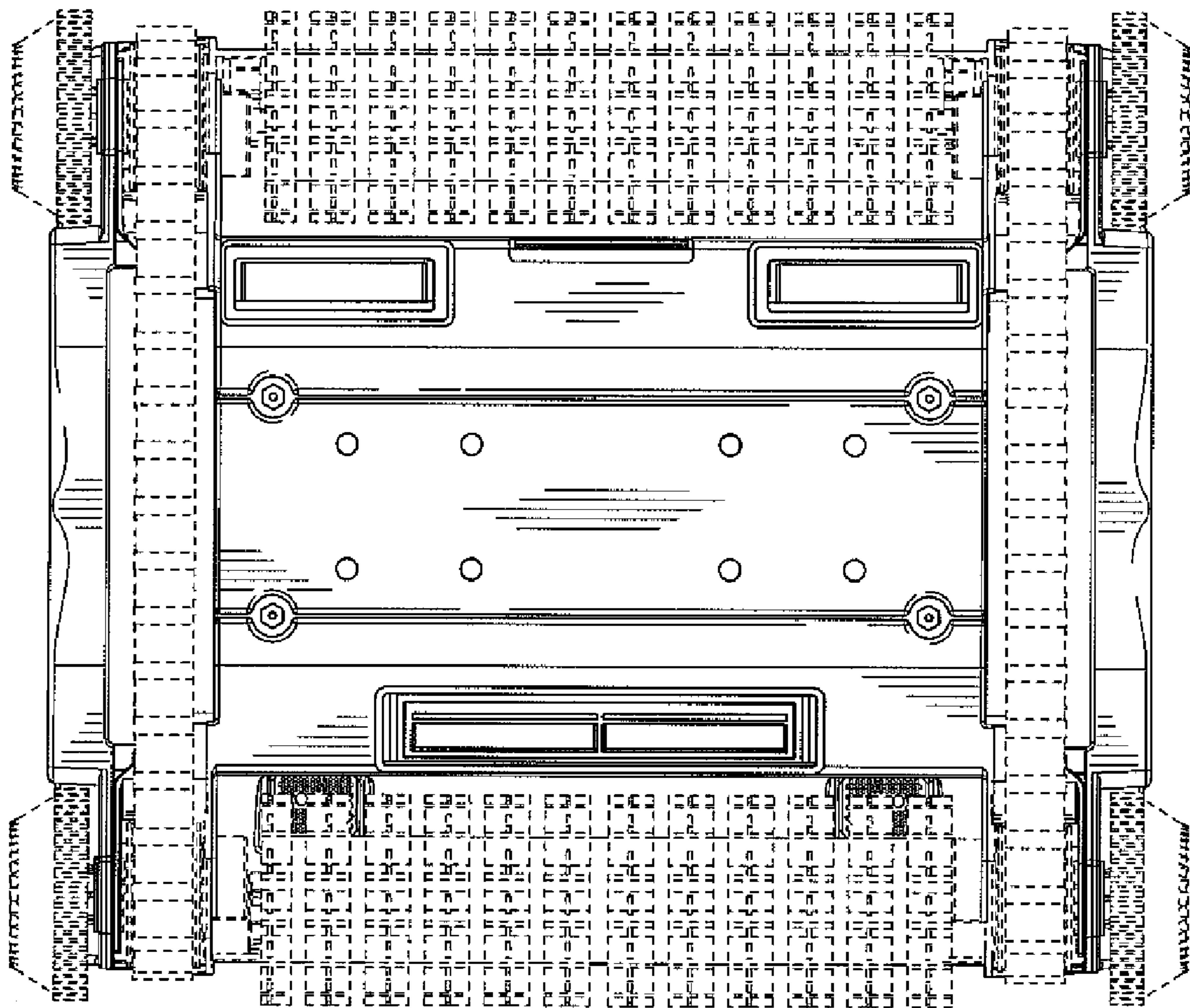


FIG. 7

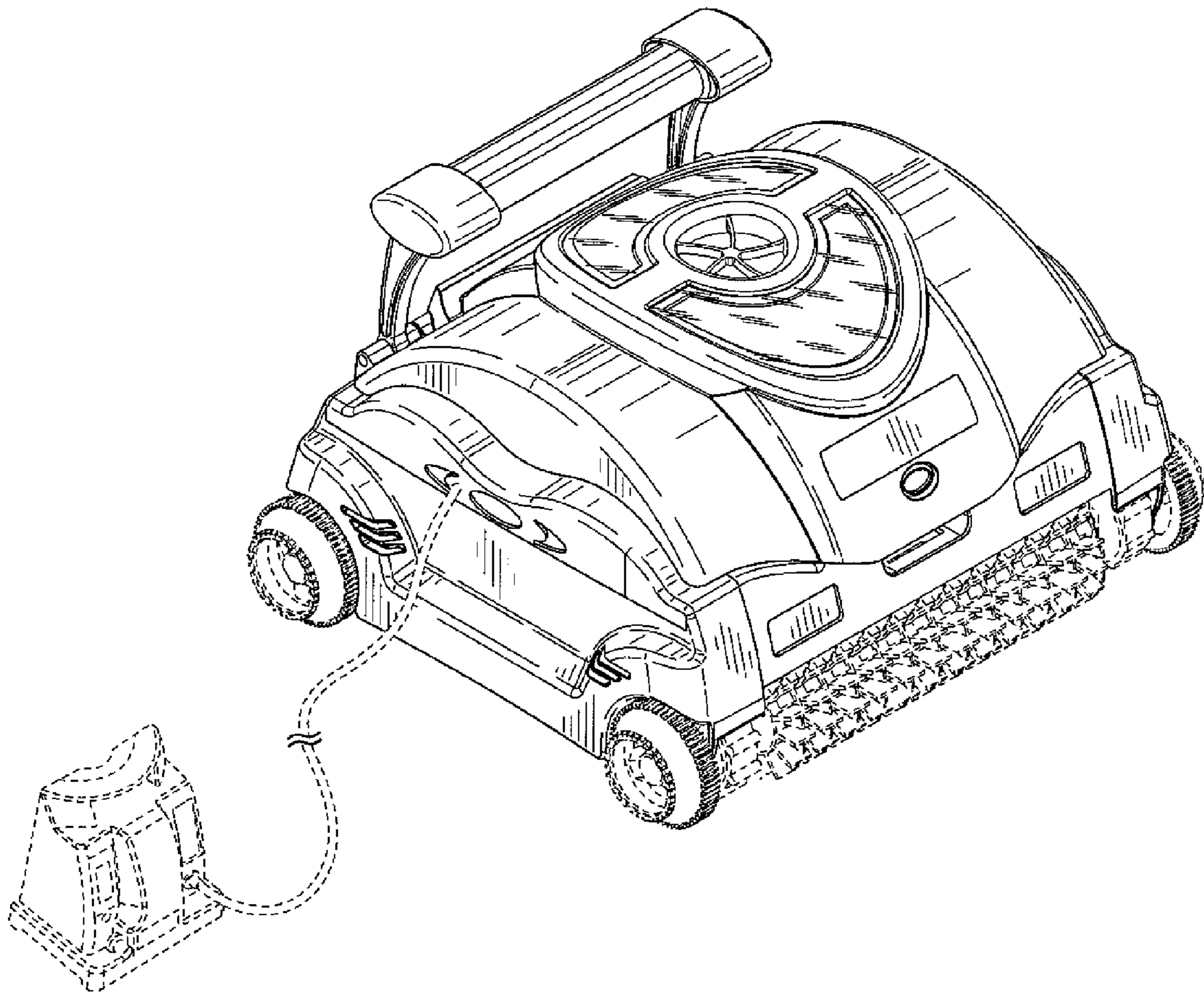


FIG. 8

UNITED STATES PATENT AND TRADEMARK OFFICE
CERTIFICATE OF CORRECTION

PATENT NO. : Des. 598,168 S
APPLICATION NO. : 29/324616
DATED : August 11, 2009
INVENTOR(S) : Jirawat Sumonthee

Page 1 of 1

It is certified that error appears in the above-identified patent and that said Letters Patent is hereby corrected as shown below:

Title page Item [56]

On page 3, under "Foreign Patents" --AU 704603 01/09/1997-- needs to be inserted.

Signed and Sealed this

Eighth Day of December, 2009



David J. Kappos
Director of the United States Patent and Trademark Office