



US00D598160S

(12) **United States Design Patent**
Boyer et al.

(10) **Patent No.:** **US D598,160 S**

(45) **Date of Patent:** **** Aug. 11, 2009**

(54) **LIGHTING FIXTURE**

(75) Inventors: **John D. Boyer**, Lebanon, OH (US);
James P. Sferra, Goshen, OH (US);
James G. Vanden Eynden, Hamilton,
OH (US); **Larry A. Akers**, Clarksville,
OH (US)

(73) Assignee: **LSI Industries, Inc.**, Cincinnati, OH
(US)

(**) Term: **14 Years**

(21) Appl. No.: **29/325,276**

(22) Filed: **Sep. 29, 2008**

(51) **LOC (9) Cl.** **26-99**

(52) **U.S. Cl.** **D26/138**

(58) **Field of Classification Search** D26/110,
D26/111, 113, 119, 120, 128, 129, 93, 94,
D26/102, 105, 106, 107, 109, 130, 74, 75,
D26/76, 77, 80, 81, 88, 90, 71, 68, 142, 145,
D26/67, 118, 85, 89, 86, 24, 135, 60, 61,
D26/72, 73, 133, 134, 138, 140, 148, 149,
D26/150, 151, 152, 154, 155, 141; 362/601,
362/606, 607, 608, 611, 612, 615, 617, 632,
362/633, 555, 561, 95, 147, 351, 358, 376,
362/455, 804; 257/98, 99; D13/179; 40/714,
40/715, 716; D6/300, 301, 302, 308, 310,
D6/313, 314; 433/29, 30, 28, 31, 126; D24/128,
D24/176, 177; 349/58, 65; D20/41, 42,
D20/43; D14/374, 126, 380, 375, 382
See application file for complete search history.

(56) **References Cited**

U.S. PATENT DOCUMENTS

D209,081 S * 10/1967 Netland D26/71
D214,945 S * 8/1969 Vesely et al. D26/68
3,862,411 A * 1/1975 Persson 362/431
4,293,901 A * 10/1981 Hernandez 362/346

4,320,443 A * 3/1982 Zwillich 362/375
D272,475 S * 1/1984 Yahraus D26/24
4,449,164 A * 5/1984 Carlson et al. 361/694
D329,239 S * 9/1992 Hahn D14/219
D363,709 S * 10/1995 Matsumoto D14/374
D433,573 S * 11/2000 Rochon D6/308
D468,046 S * 12/2002 Bernard et al. D26/85
D495,085 S * 8/2004 Thornton et al. D26/76
D524,555 S * 7/2006 Mohundro D6/300
D531,342 S * 10/2006 Kauffman et al. D26/68
D556,935 S * 12/2007 Quioque et al. D26/71
D576,330 S 9/2008 Ruud et al.

* cited by examiner

Primary Examiner—Cathron C Brooks

Assistant Examiner—Kevin K Rudinski

(74) *Attorney, Agent, or Firm*—McDermott Will & Emery
LLP

(57) **CLAIM**

The ornamental design for lighting fixture, as shown and
described.

DESCRIPTION

FIG. 1 is a bottom perspective view of the lighting fixture of
the present disclosure;

FIG. 2 is a bottom view thereof;

FIG. 3 is a top view thereof;

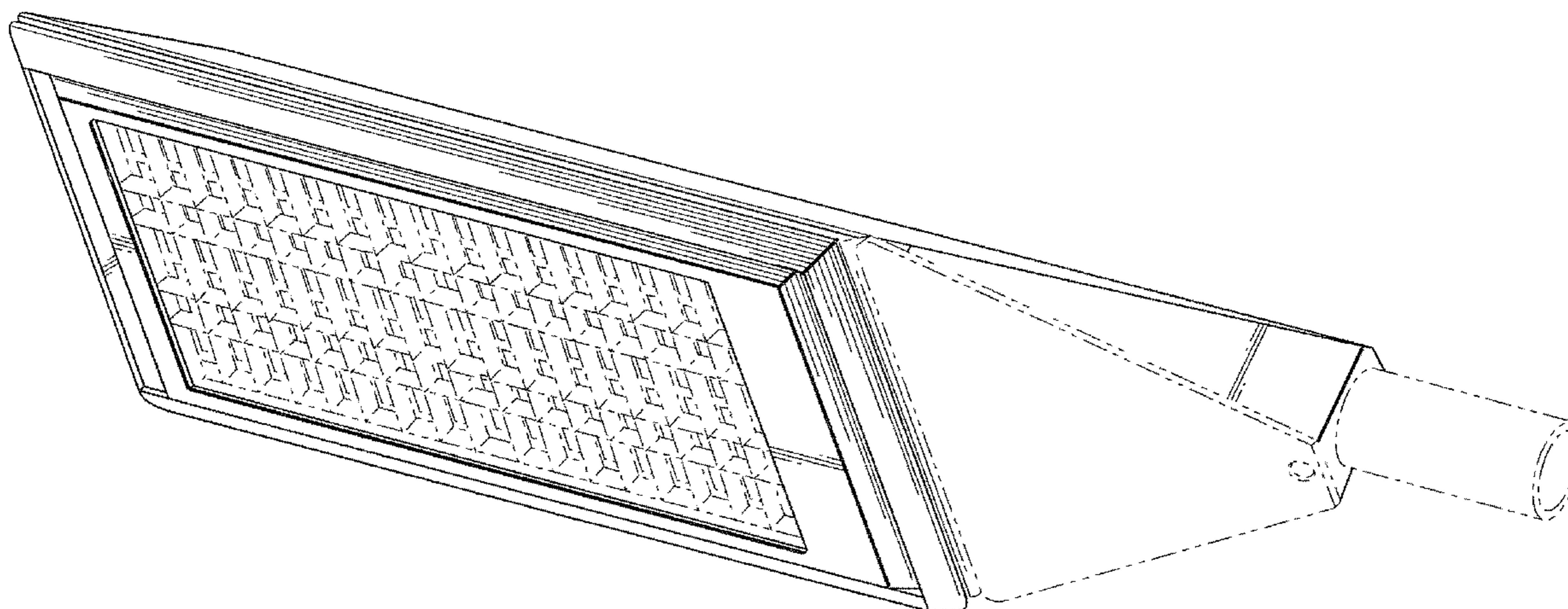
FIG. 4 is a left side view thereof, the right side view being a
mirror image;

FIG. 5 is a front side view thereof; and,

FIG. 6 is a back side view thereof.

Those portions of the present invention which are presented
in phantom illustrate the environment of the design only and
form no part of the claimed design. Moreover, the shading
presented in the accompanying drawings is provided merely
to highlight the contour of the invention and is not intended to
be illustrative of texture or gloss.

1 Claim, 5 Drawing Sheets



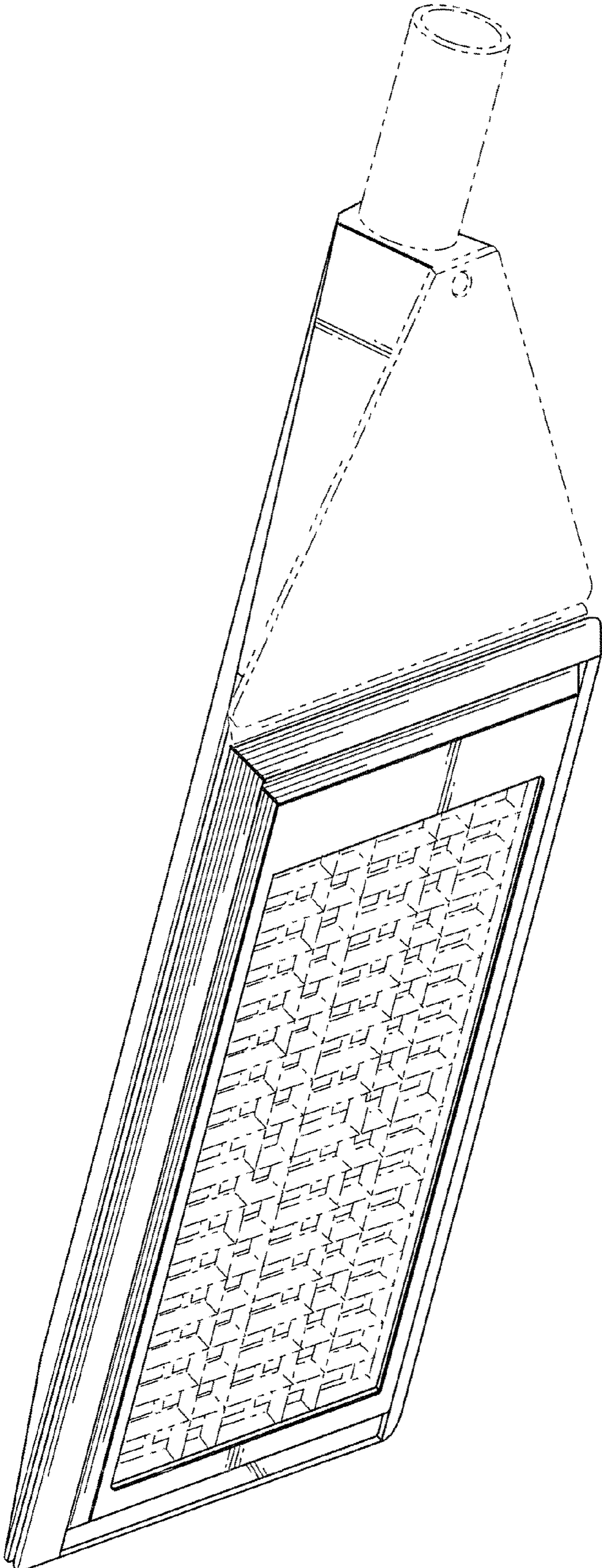


FIG. 1

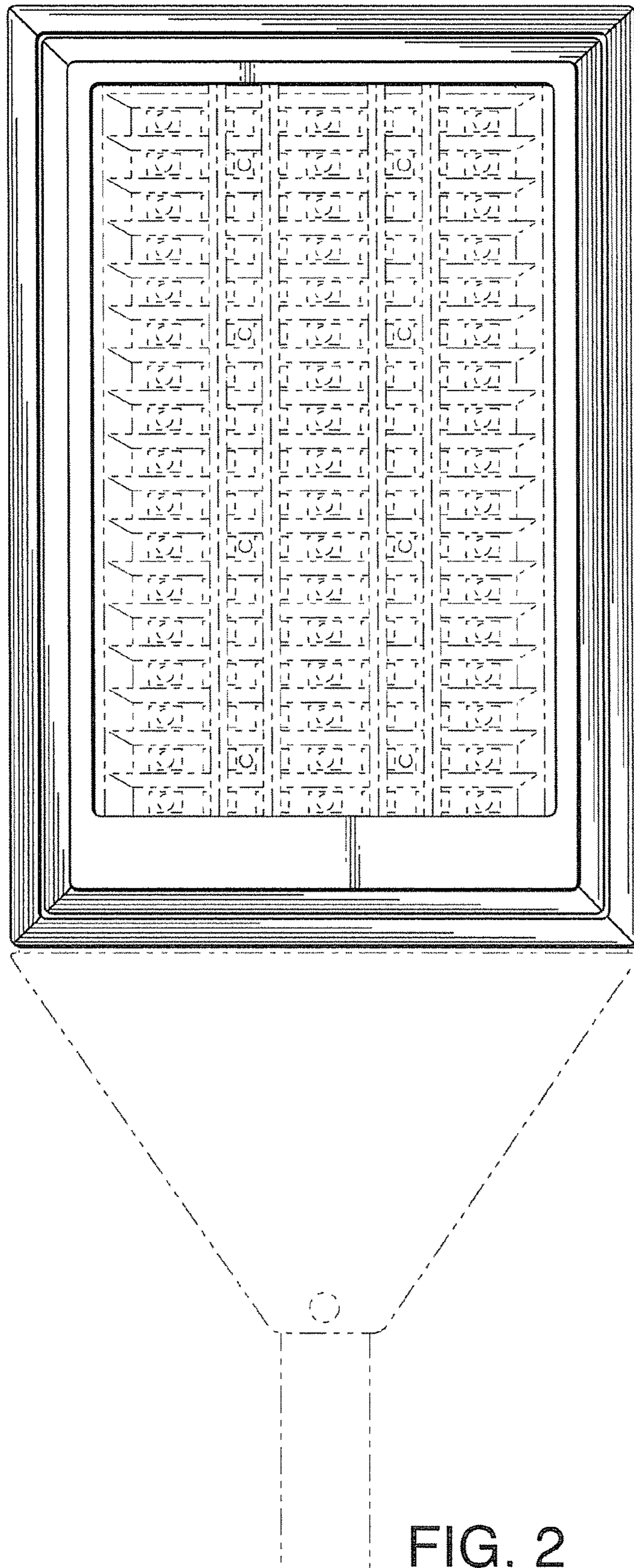


FIG. 2

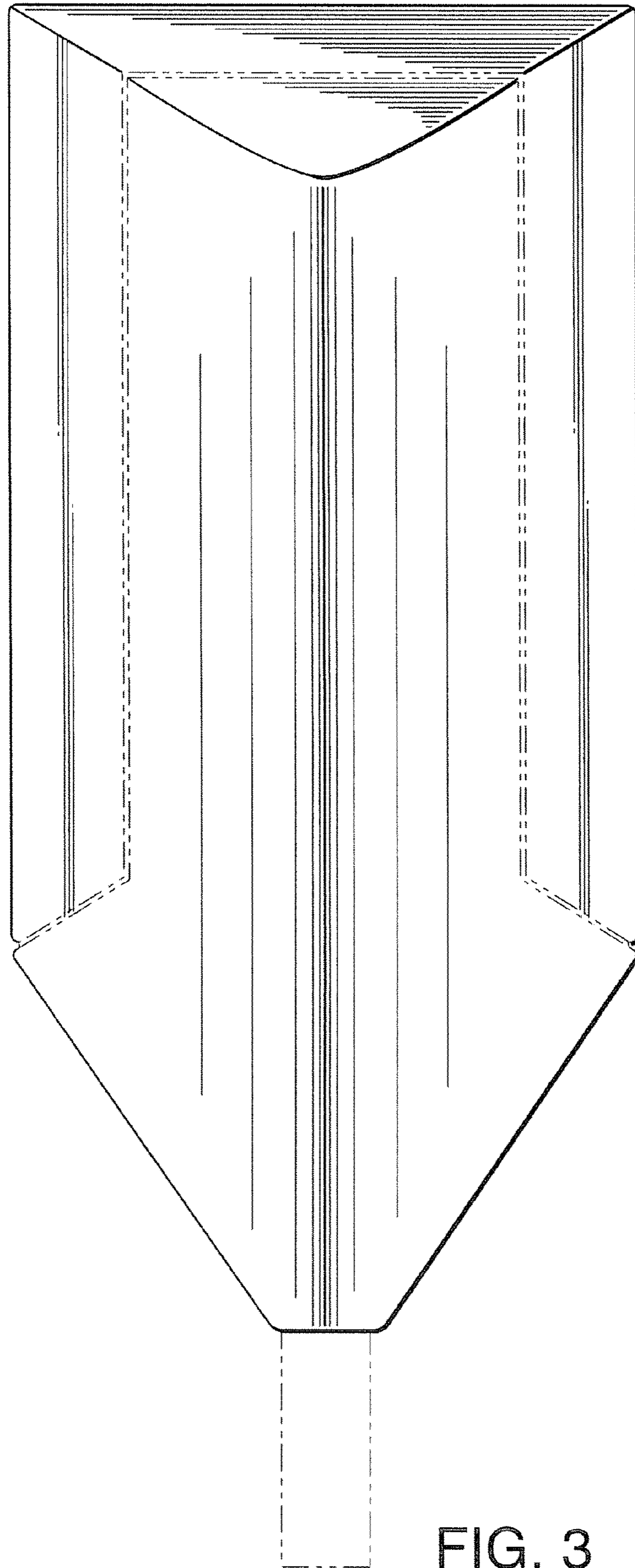


FIG. 3

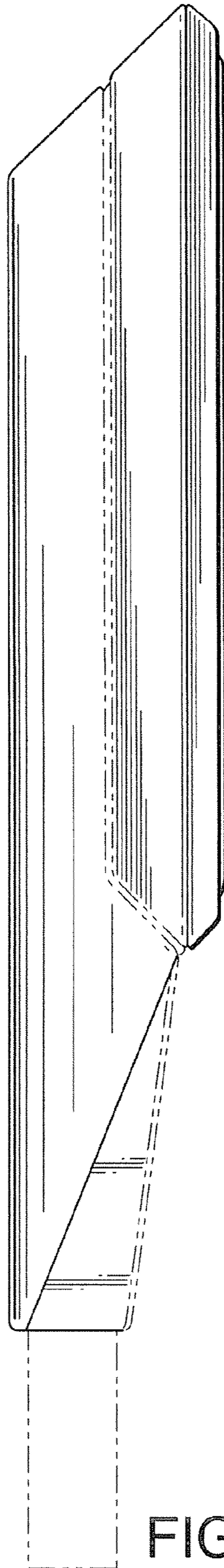


FIG. 4

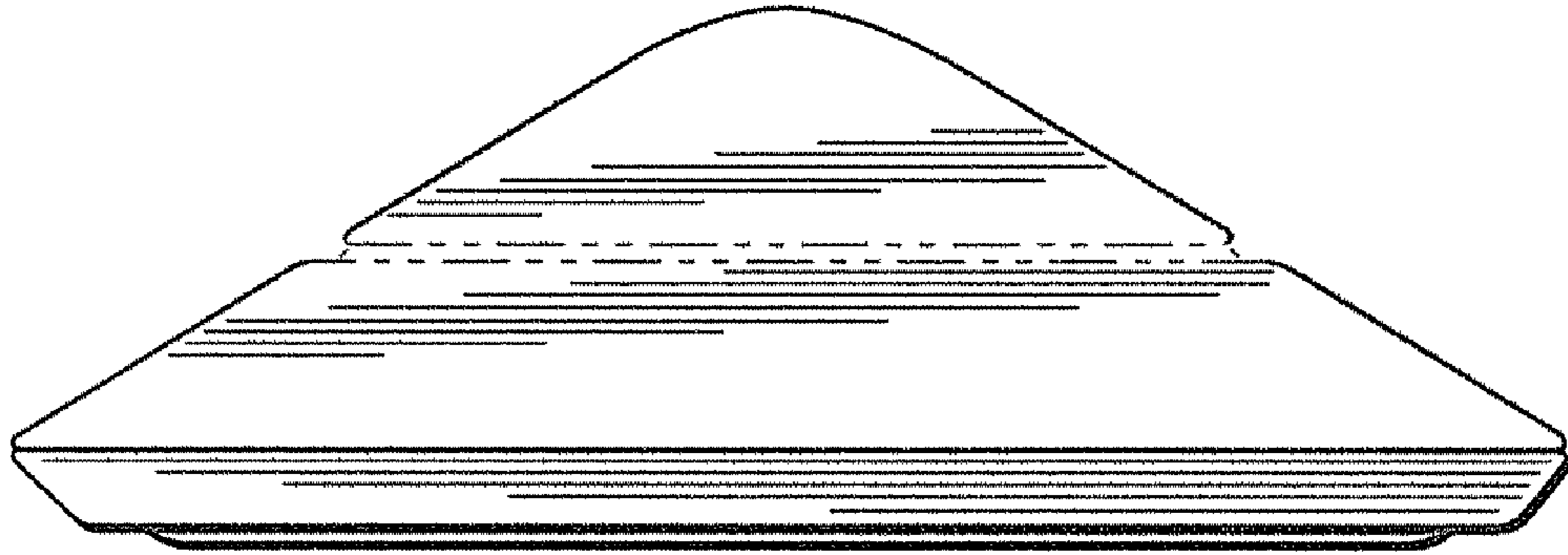


FIG. 5

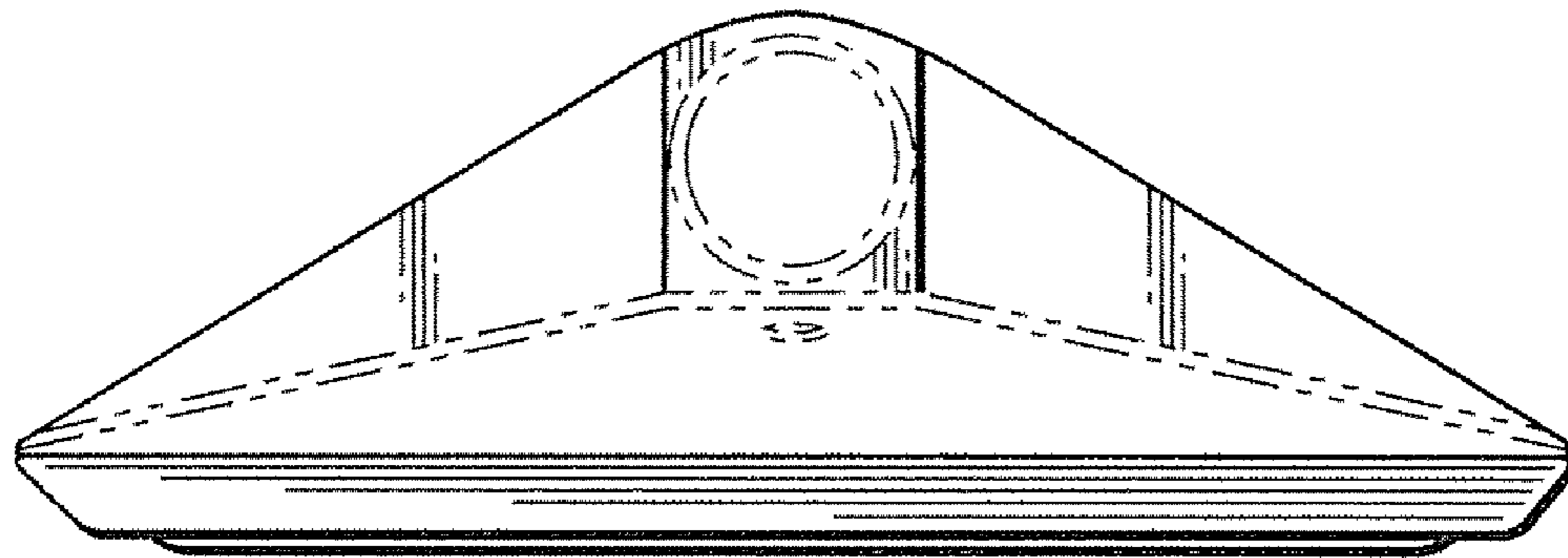


FIG. 6