



US00D598156S

(12) **United States Design Patent**
Xiao et al.

(10) **Patent No.:** **US D598,156 S**

(45) **Date of Patent:** **** Aug. 11, 2009**

(54) **SOLAR LED LAMP**

(75) Inventors: **Xin-Jian Xiao**, Shenzhen (CN);
Shih-Hsun Wung, Taipei Hsien (TW)

(73) Assignee: **Foxconn Technology Co., Ltd.**,
Tu-Cheng, Taipei Hsien (TW)

(**) Term: **14 Years**

(21) Appl. No.: **29/319,241**

(22) Filed: **Jun. 5, 2008**

(51) **LOC (9) Cl.** **26-05**

(52) **U.S. Cl.** **D26/69; D26/71**

(58) **Field of Classification Search** **D26/67-72,**
D26/85; 362/183, 431, 152-153.1

See application file for complete search history.

(56) **References Cited**

U.S. PATENT DOCUMENTS

D195,310 S * 5/1963 Zagel D26/70

D207,551 S * 5/1967 Spaulding D26/71

4,486,820 A * 12/1984 Baba et al. 362/183
6,942,361 B1 * 9/2005 Kishimura et al. 362/431
2009/0040750 A1 * 2/2009 Myer 362/183

* cited by examiner

Primary Examiner—Clare E Heflin

(74) *Attorney, Agent, or Firm*—Frank R. Niranjan

(57) **CLAIM**

The ornamental design for a solar LED lamp, as shown.

DESCRIPTION

FIG. 1 is a perspective view of a solar LED lamp showing our new design;

FIG. 2 is a front elevational view thereof;

FIG. 3 is a rear elevational view thereof;

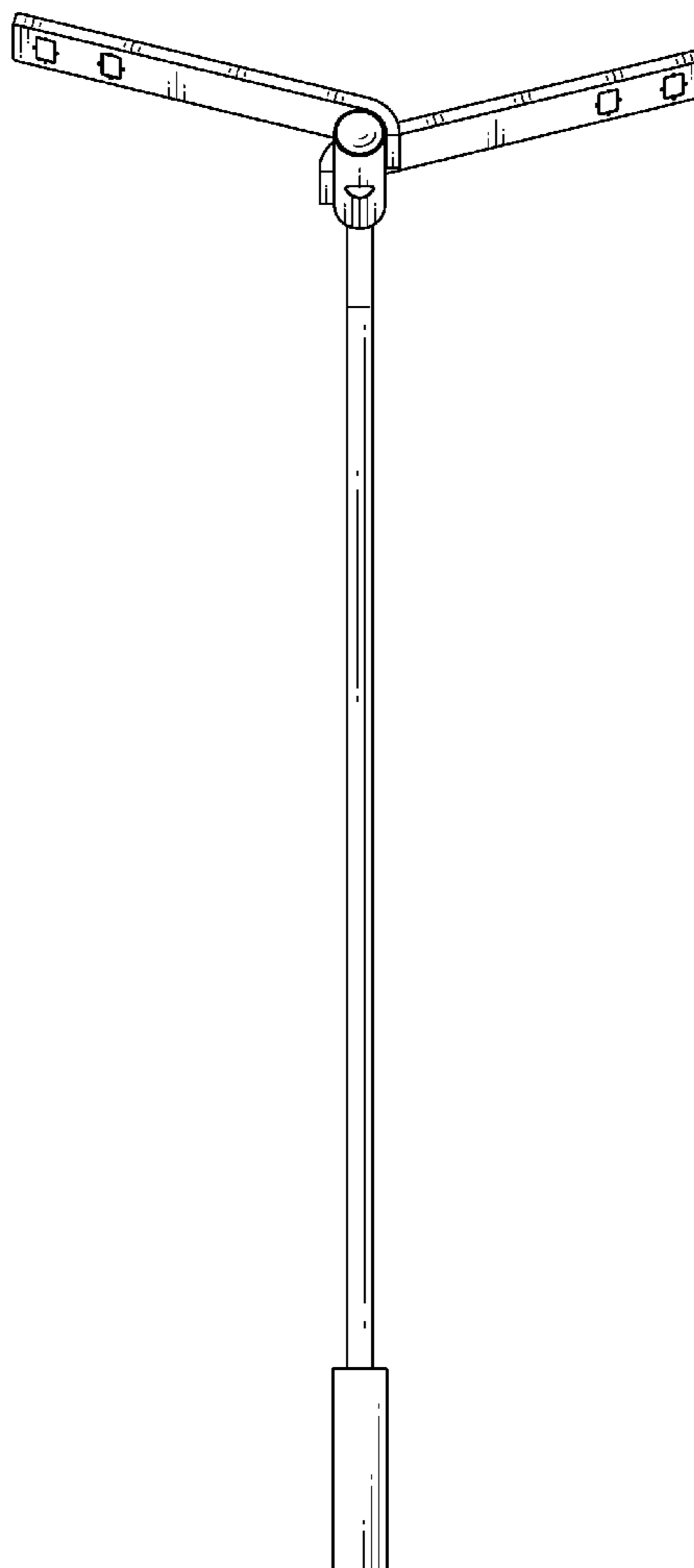
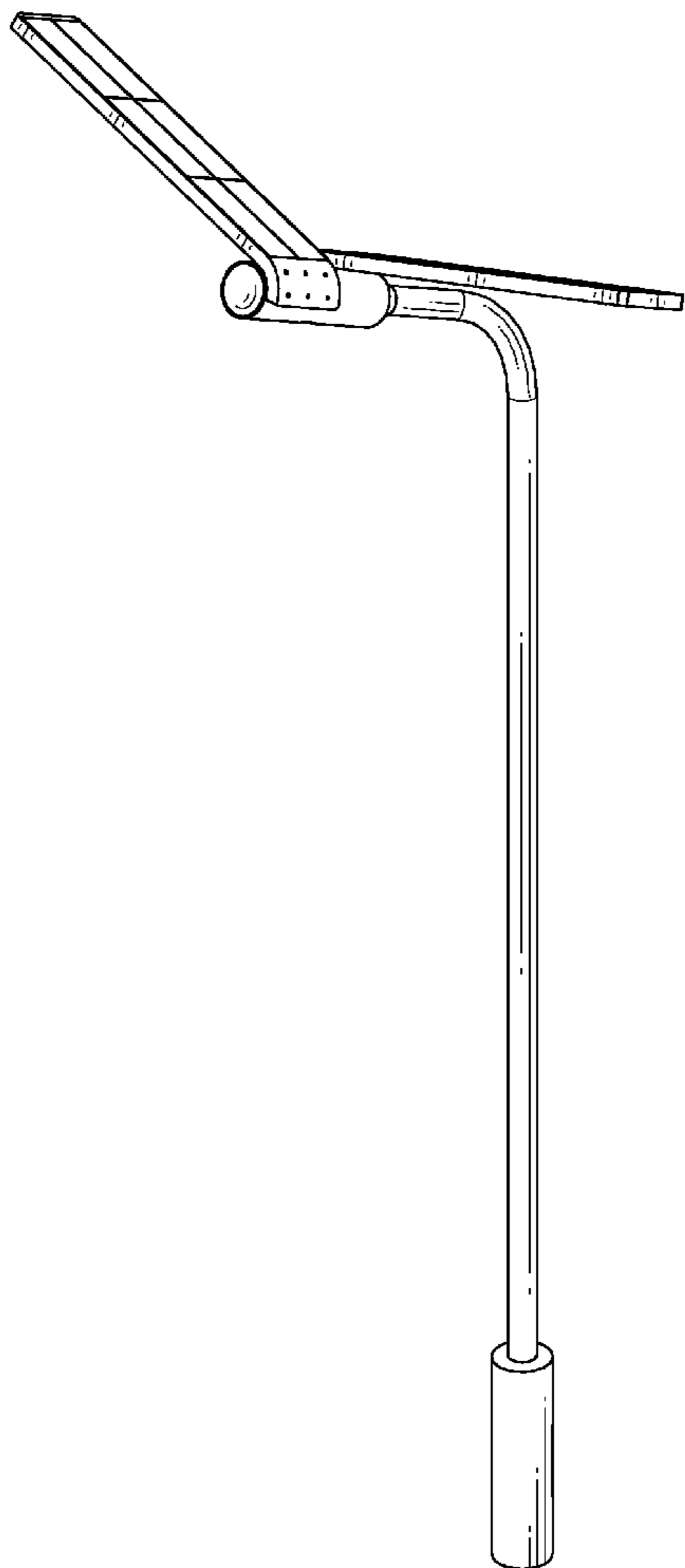
FIG. 4 is a left-side, elevational view thereof;

FIG. 5 is a right-side, elevational view thereof;

FIG. 6 is a top plan view thereof; and,

FIG. 7 is a bottom plan view thereof.

1 Claim, 7 Drawing Sheets



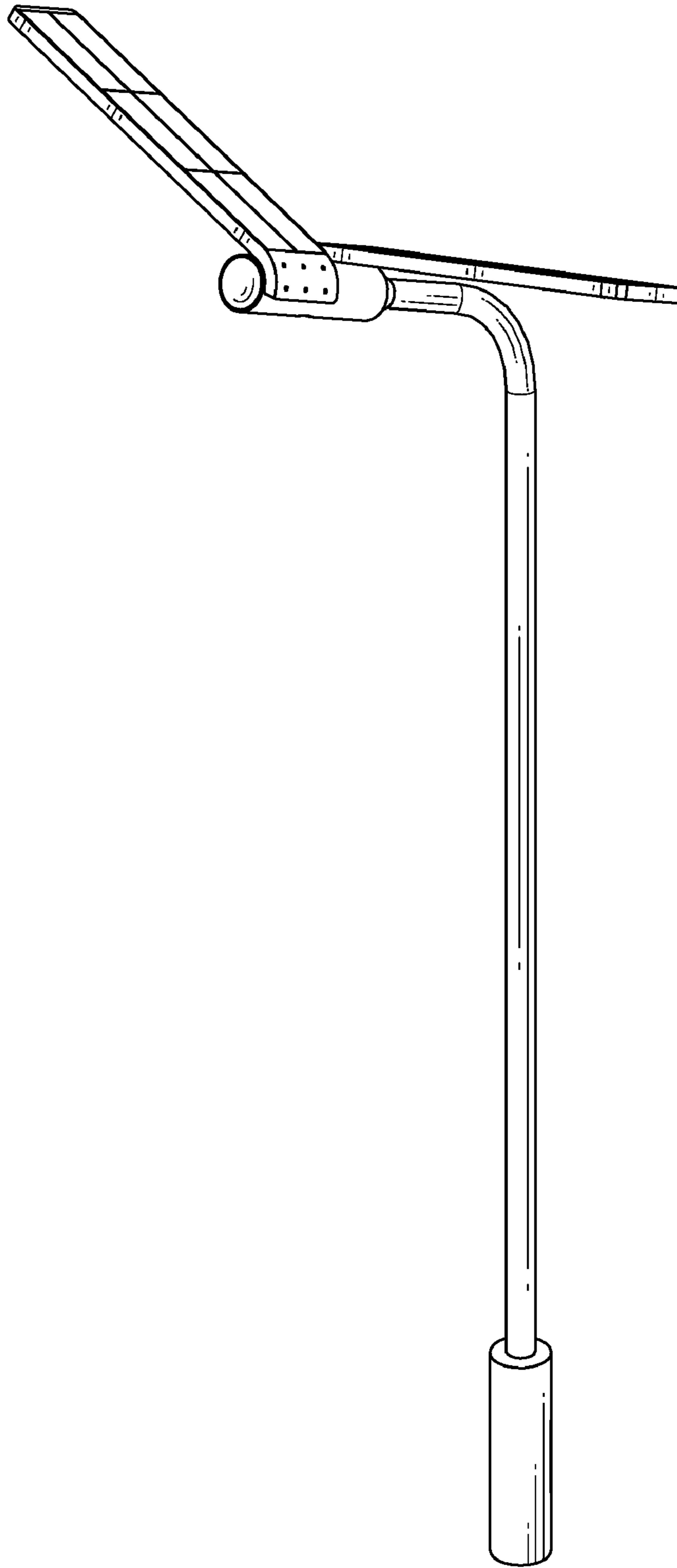


FIG. 1

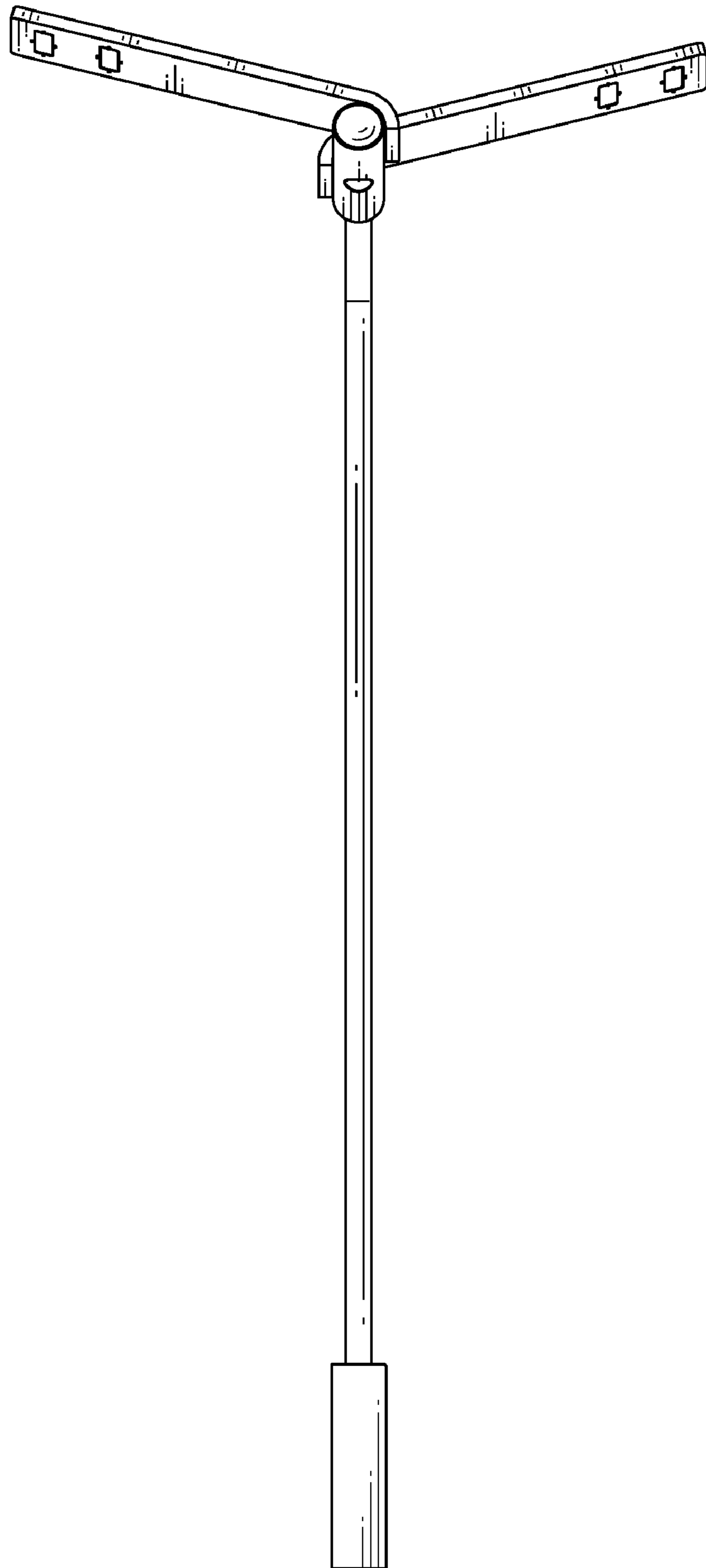


FIG. 2

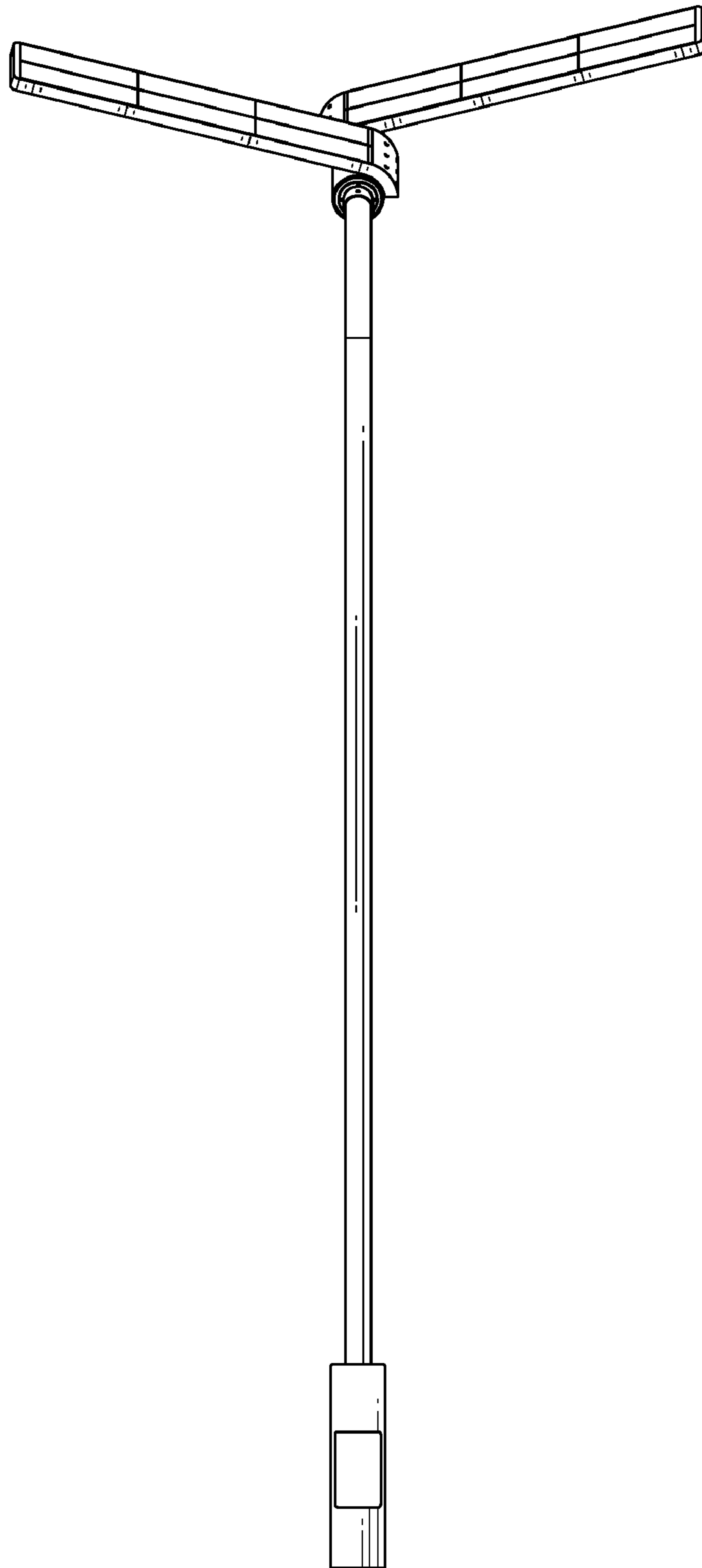


FIG. 3

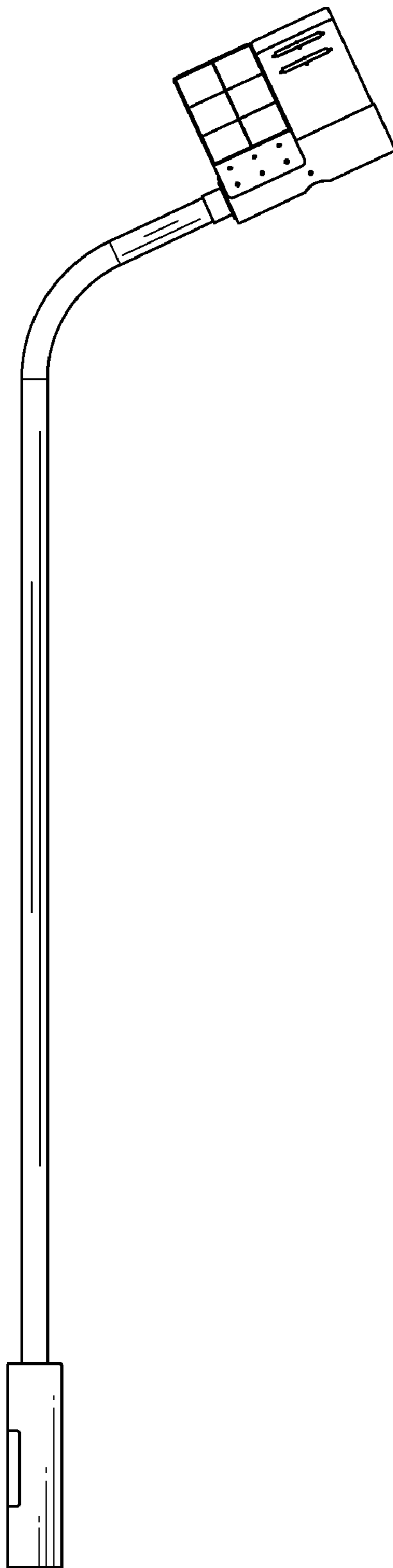


FIG. 4

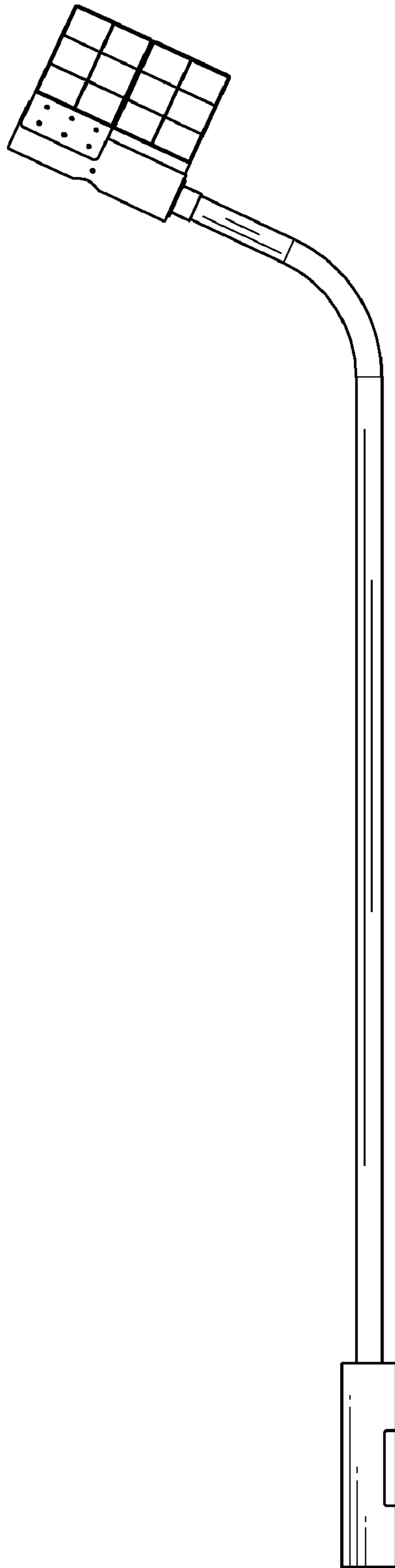


FIG. 5

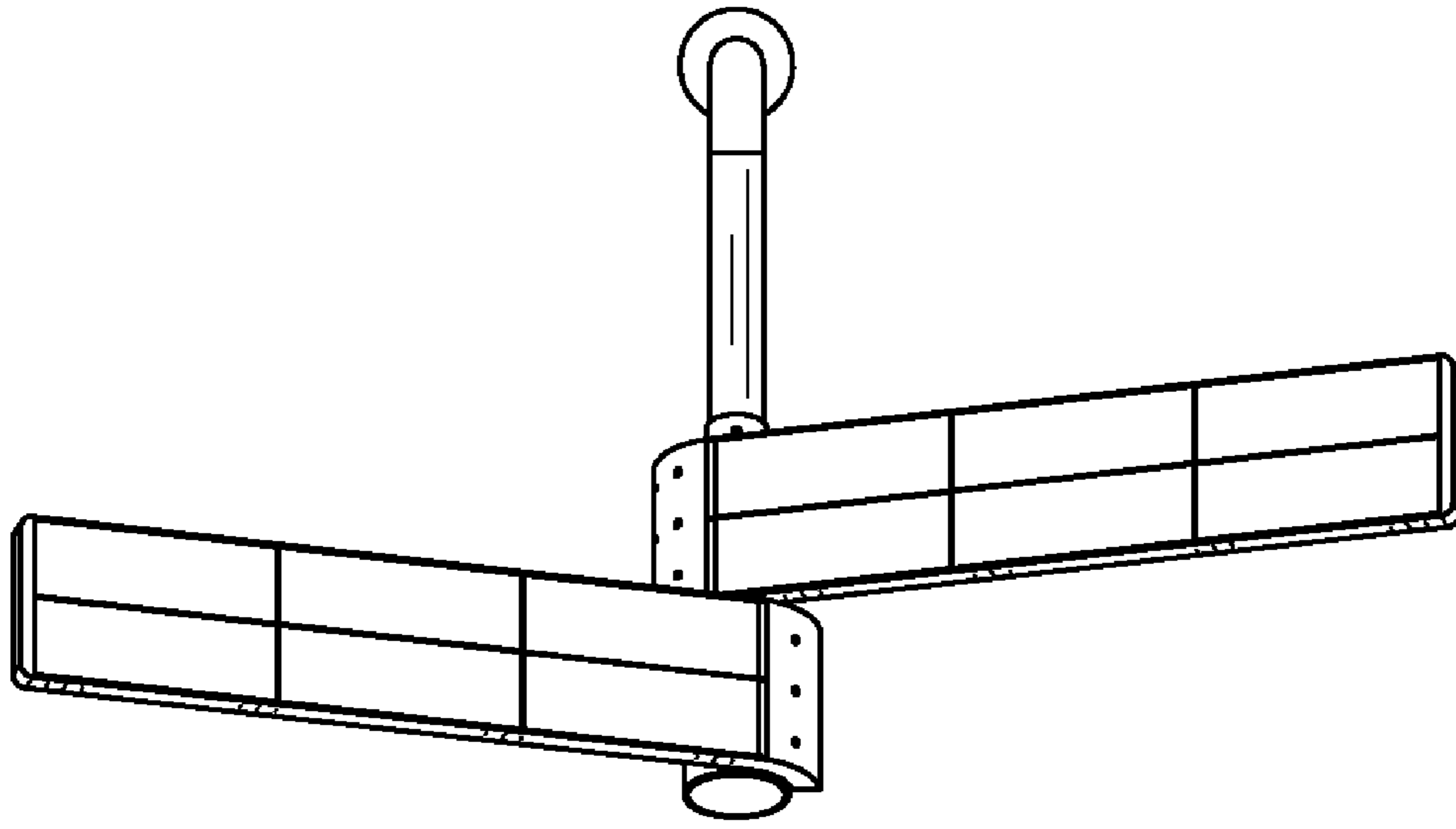


FIG. 6

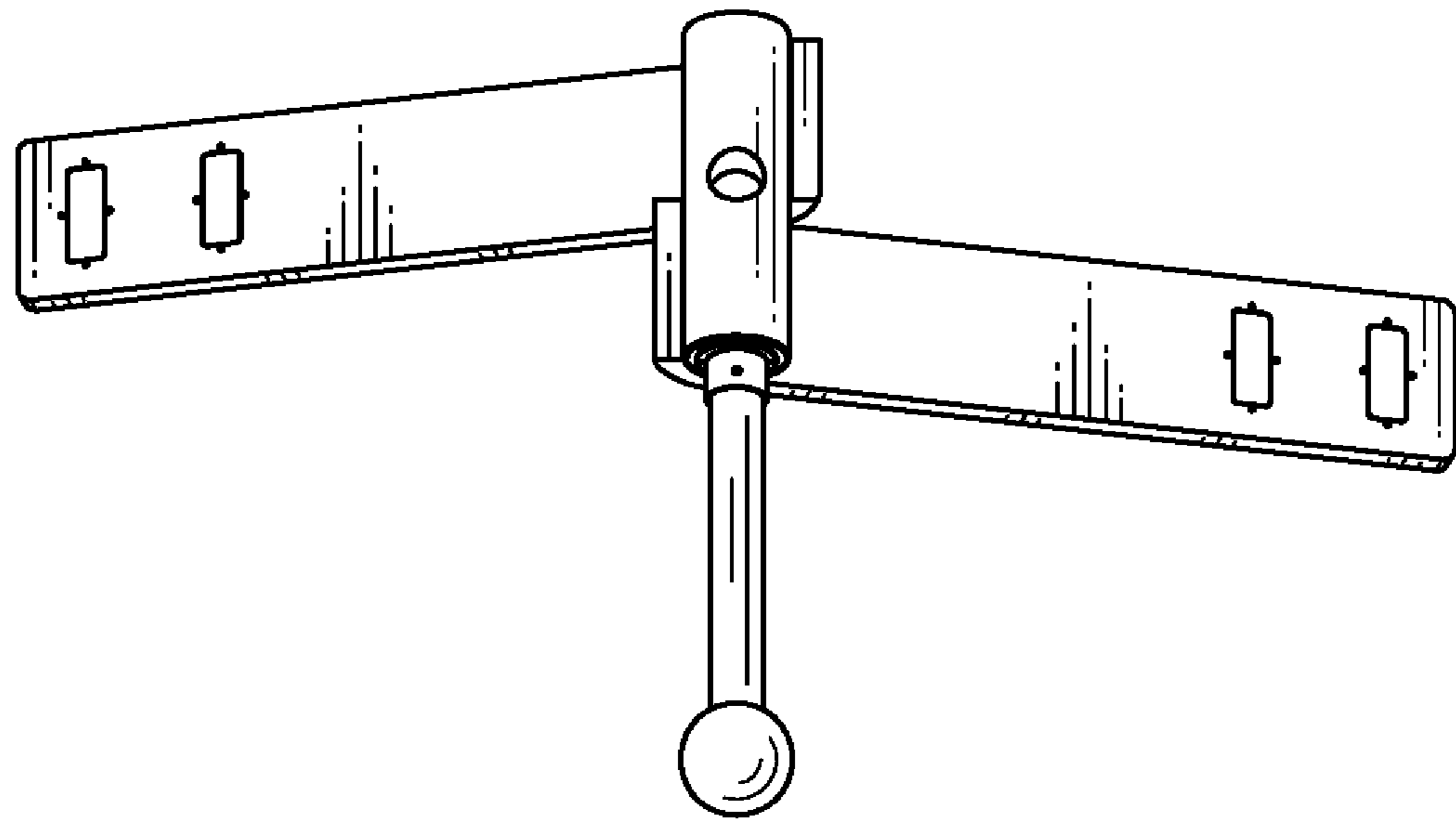


FIG. 7