



US00D598154S

(12) **United States Design Patent**
Zhou et al.

(10) **Patent No.:** **US D598,154 S**

(45) **Date of Patent:** **** Aug. 11, 2009**

(54) **LED LAMP**

(75) Inventors: **Qin-Fei Zhou**, Shenzhen (CN);
Yong-Dong Chen, Shenzhen (CN);
Shih-Hsun Wung, Taipei Hsien (TW)

(73) Assignee: **Foxconn Technology Co., Ltd.**,
Tu-Cheng, Taipei Hsien (TW)

(**) Term: **14 Years**

(21) Appl. No.: **29/319,240**

(22) Filed: **Jun. 5, 2008**

(51) **LOC (9) Cl.** **26-05**

(52) **U.S. Cl.** **D26/68**

(58) **Field of Classification Search** D26/67-72,
D26/85; 362/183, 431, 152-153.1
See application file for complete search history.

(56) **References Cited**

U.S. PATENT DOCUMENTS

| | | | | |
|---------------|---------|---------|-------|---------|
| D209,416 S * | 11/1967 | Smith | | D26/68 |
| D236,653 S * | 9/1975 | Stewart | | D26/68 |
| 4,438,484 A * | 3/1984 | Winden | | 362/153 |
| D299,554 S * | 1/1989 | Muller | | D26/69 |
| D299,555 S * | 1/1989 | Muller | | D26/69 |
| D316,452 S * | 4/1991 | Kira | | D26/68 |

| | | | | |
|----------------|---------|-----------|-------|-----------|
| D373,000 S * | 8/1996 | Brady | | D26/68 |
| 6,106,134 A * | 8/2000 | Bomas | | 362/153.1 |
| 6,457,847 B1 * | 10/2002 | LeVasseur | | 362/431 |
| D519,663 S * | 4/2006 | Wead | | D26/68 |

OTHER PUBLICATIONS

Sao Paulo Model #87287 from EGLO GmbH. Found at www.eglo.com Mar. 25, 2009.*

* cited by examiner

Primary Examiner—Clare E Heflin

(74) *Attorney, Agent, or Firm*—Frank R. Niranjana

(57) **CLAIM**

The ornamental design for an LED lamp, as shown.

DESCRIPTION

FIG. 1 is a perspective view of an LED lamp showing our new design;

FIG. 2 is a front elevational view thereof;

FIG. 3 is a rear elevational view thereof;

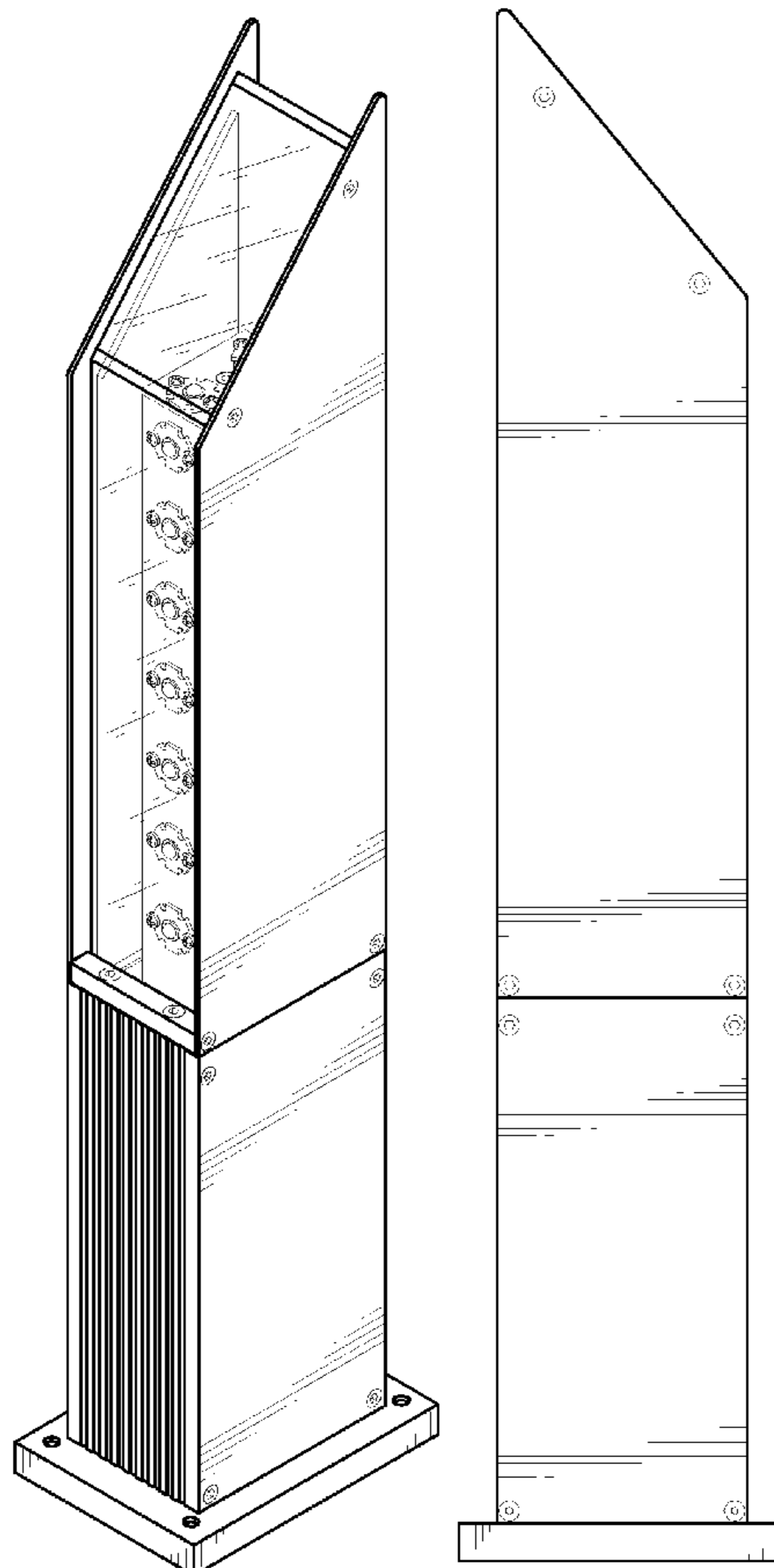
FIG. 4 is a left-side, elevational view thereof;

FIG. 5 is a right-side, elevational view thereof;

FIG. 6 is a top plan view thereof; and,

FIG. 7 is a bottom plan view thereof.

1 Claim, 7 Drawing Sheets



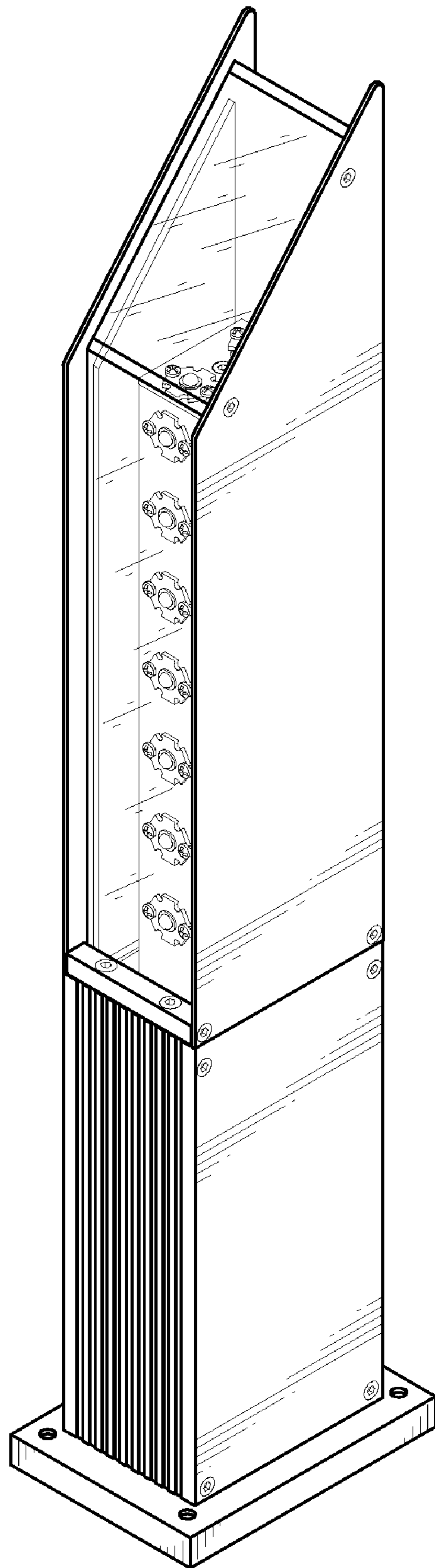


FIG. 1

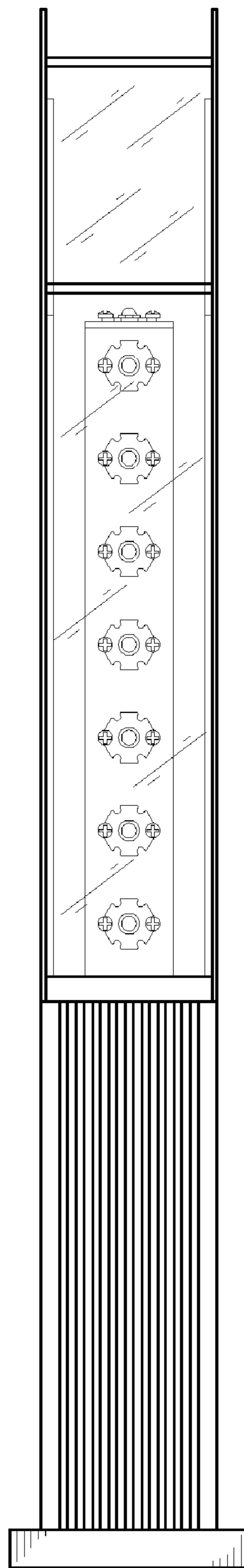


FIG. 2

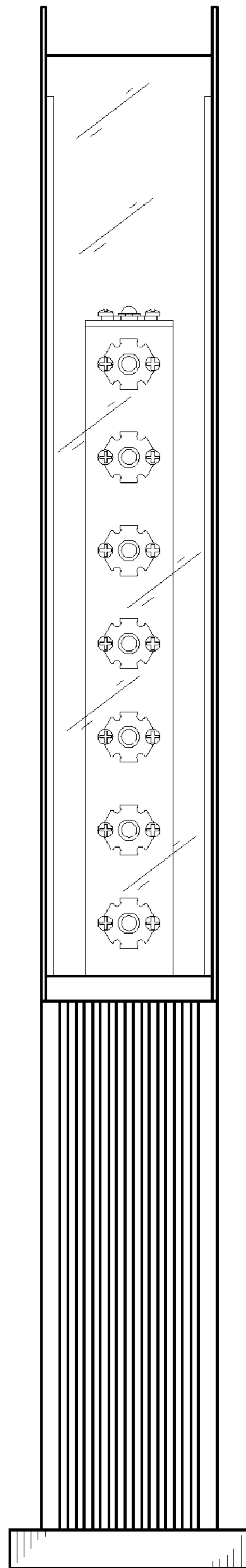


FIG. 3

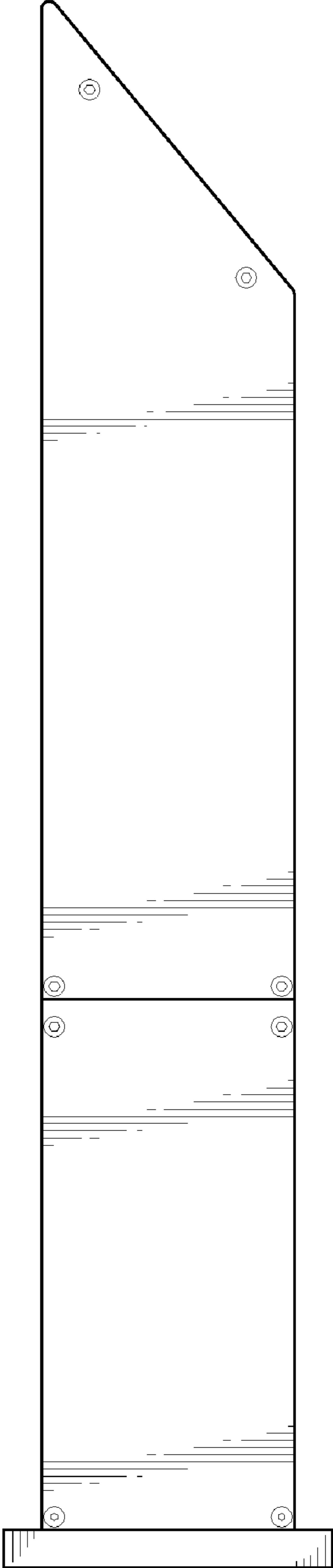


FIG. 4

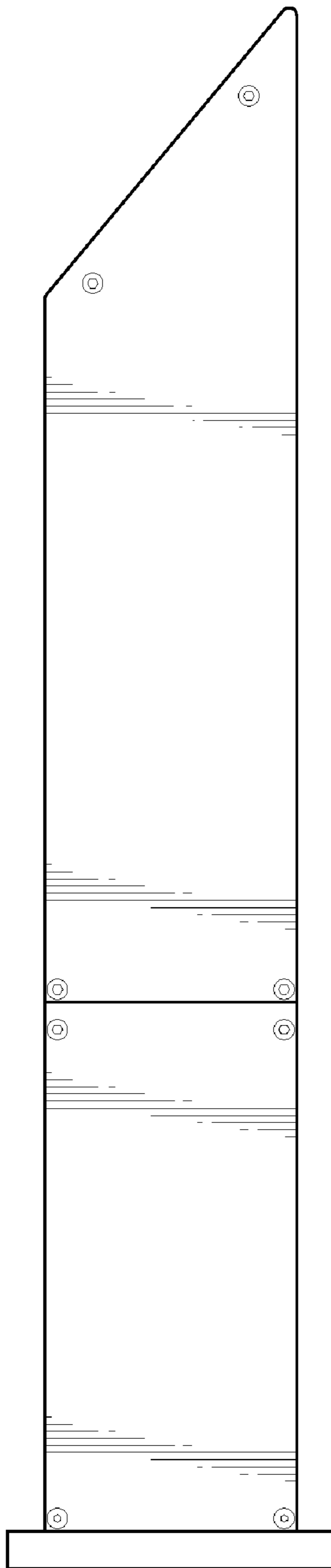


FIG. 5

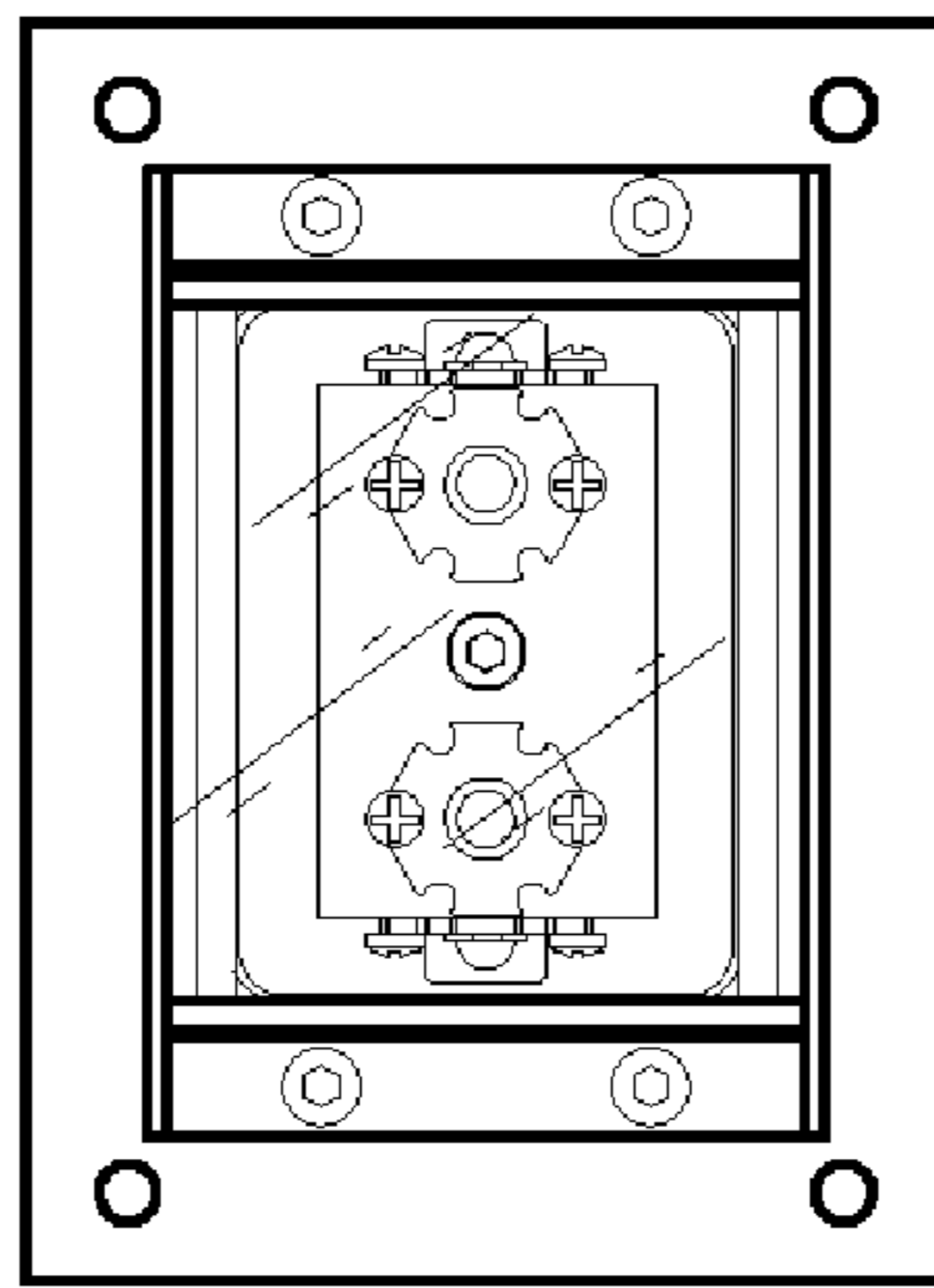


FIG. 6

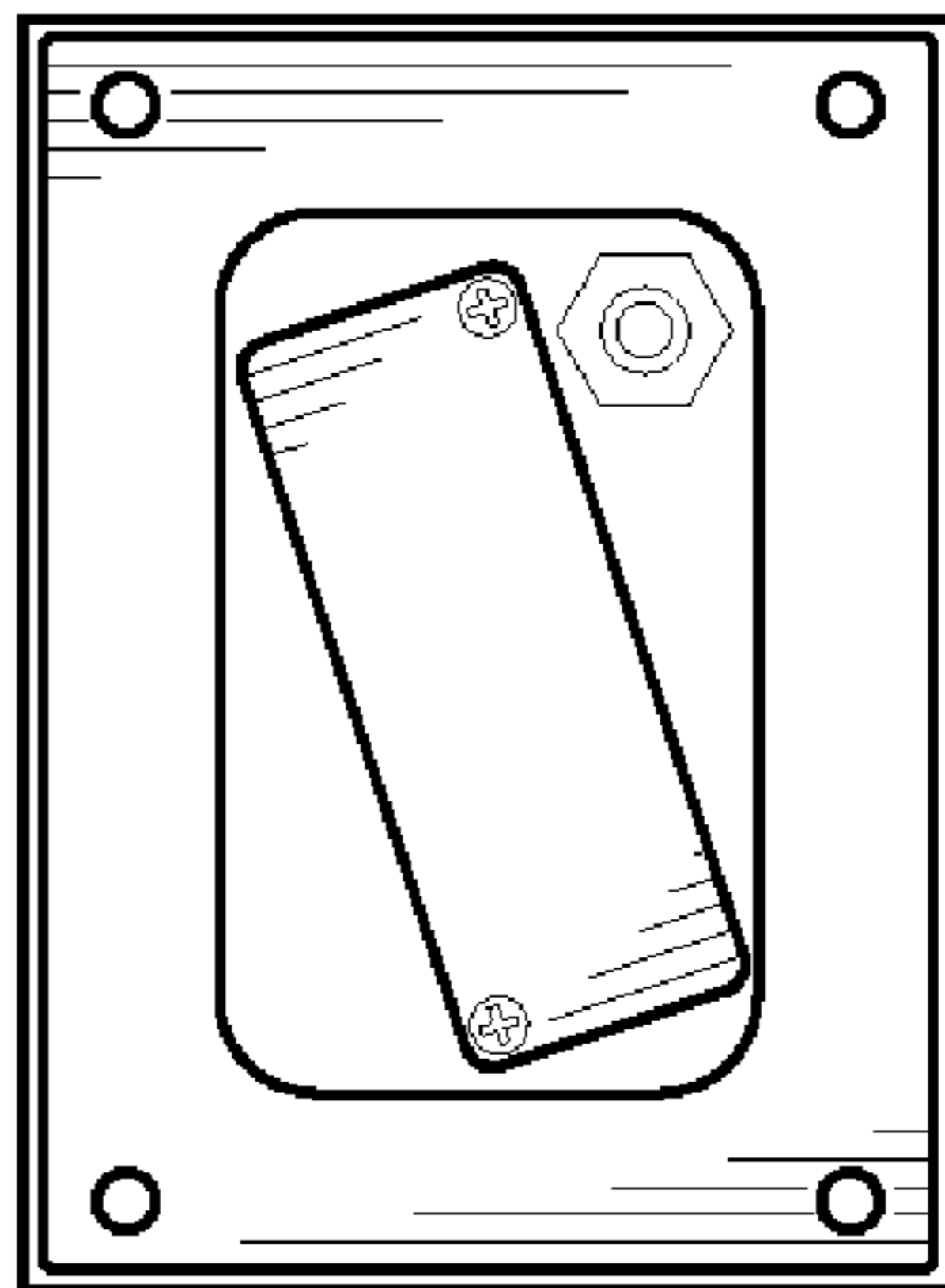


FIG. 7