



US00D598151S

(12) **United States Design Patent**
McGraw

(10) **Patent No.:** **US D598,151 S**

(45) **Date of Patent:** **** Aug. 11, 2009**

(54) **FLASHLIGHT**

(75) Inventor: **Sherrey McGraw**, Dallas, TX (US)

(73) Assignee: **The Brinkmann Corporation**, Dallas, TX (US)

(**) Term: **14 Years**

(21) Appl. No.: **29/288,989**

(22) Filed: **Jun. 28, 2007**

Related U.S. Application Data

(63) Continuation of application No. 29/271,123, filed on Jan. 9, 2007, now abandoned.

(51) **LOC (9) Cl.** **26-02**

(52) **U.S. Cl.** **D26/49**

(58) **Field of Classification Search** D26/37,
D26/46, 48, 49; 362/157, 158, 183, 184,
362/185, 187, 194-208

See application file for complete search history.

(56) **References Cited**

U.S. PATENT DOCUMENTS

D336,966 S *	6/1993	Yau	D26/49
D420,457 S	2/2000	Breit		
D431,085 S	9/2000	Poon		
D433,171 S	10/2000	Petterson et al.		
D435,922 S	1/2001	Shing		
D445,208 S	7/2001	Israel et al.		
D445,521 S	7/2001	Israel et al.		
D452,025 S	12/2001	Poon		
D463,594 S	9/2002	Cheong et al.		
D463,595 S	9/2002	Cheong et al.		
D481,482 S *	10/2003	Mah	D26/37

D486,935 S	2/2004	Shiu		
D491,301 S *	6/2004	Chen	D26/37
D495,077 S	8/2004	Chau		
D518,217 S *	3/2006	Rugendyke et al.	D26/49
D529,211 S *	9/2006	Lee	D26/37
D544,118 S *	6/2007	Osiecki et al.	D26/37
D554,787 S *	11/2007	Shiu	D26/49
D565,768 S *	4/2008	Shiu	D26/49
D566,314 S *	4/2008	Jen	D26/49

* cited by examiner

Primary Examiner—Ian Simmons

Assistant Examiner—Carissa C Fitts

(74) *Attorney, Agent, or Firm*—Sheppard, Mullin, Richter & Hampton LLP

(57) **CLAIM**

I claim the ornamental design for a flashlight, as shown and described.

DESCRIPTION

FIG. 1 is a perspective view of the flashlight showing the new design;

FIG. 2 is a front elevational view thereof;

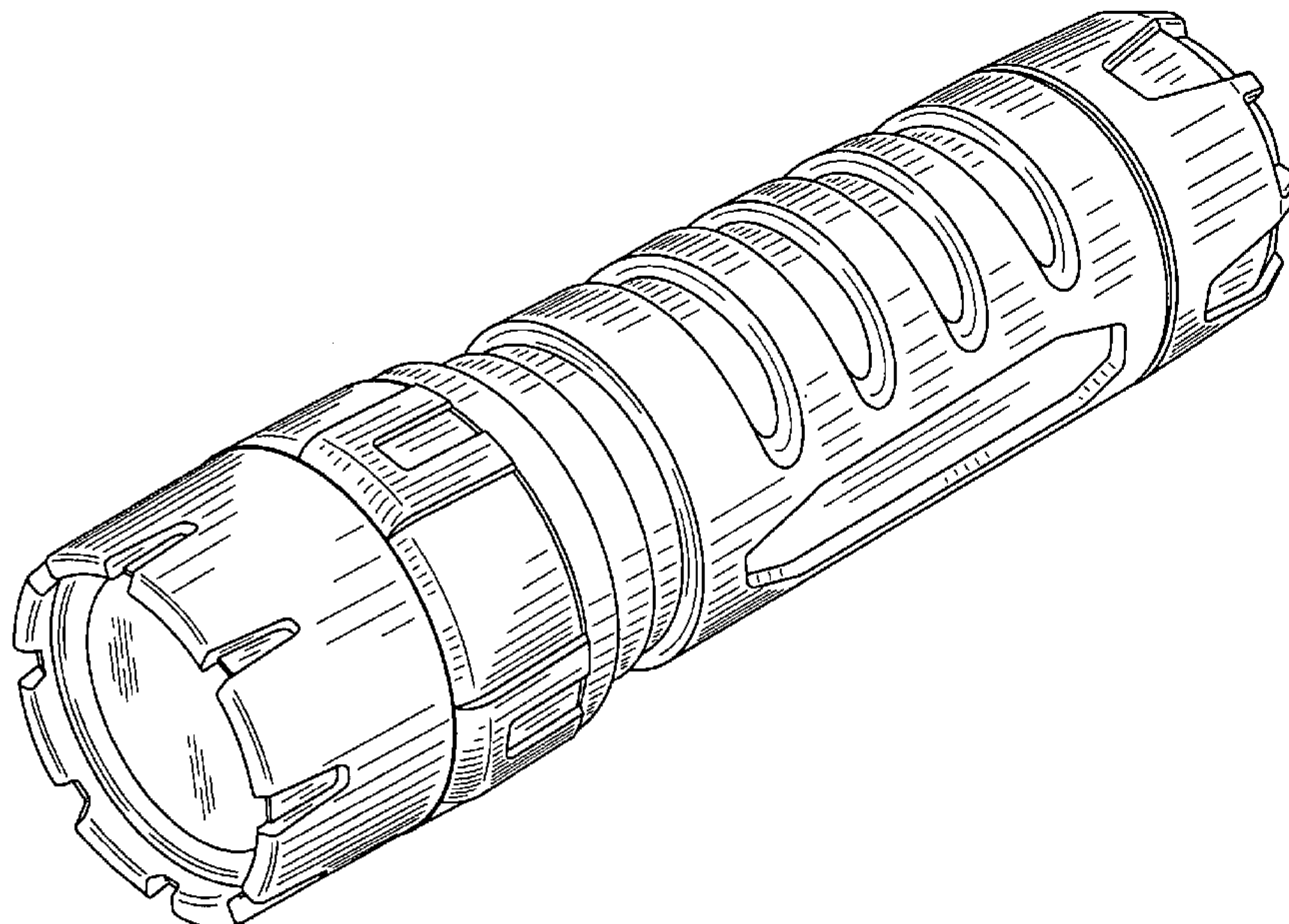
FIG. 3 is a rear elevational view thereof;

FIG. 4 is a right side elevational view thereof, the left side elevational view being a mirror image thereof; and,

FIG. 5 is a top plan view thereof, the bottom. plan view being a mirror image thereof.

The broken line showing is directed to environment and is for illustrative purposes only; the broken lines form no part of the claimed design.

1 Claim, 3 Drawing Sheets



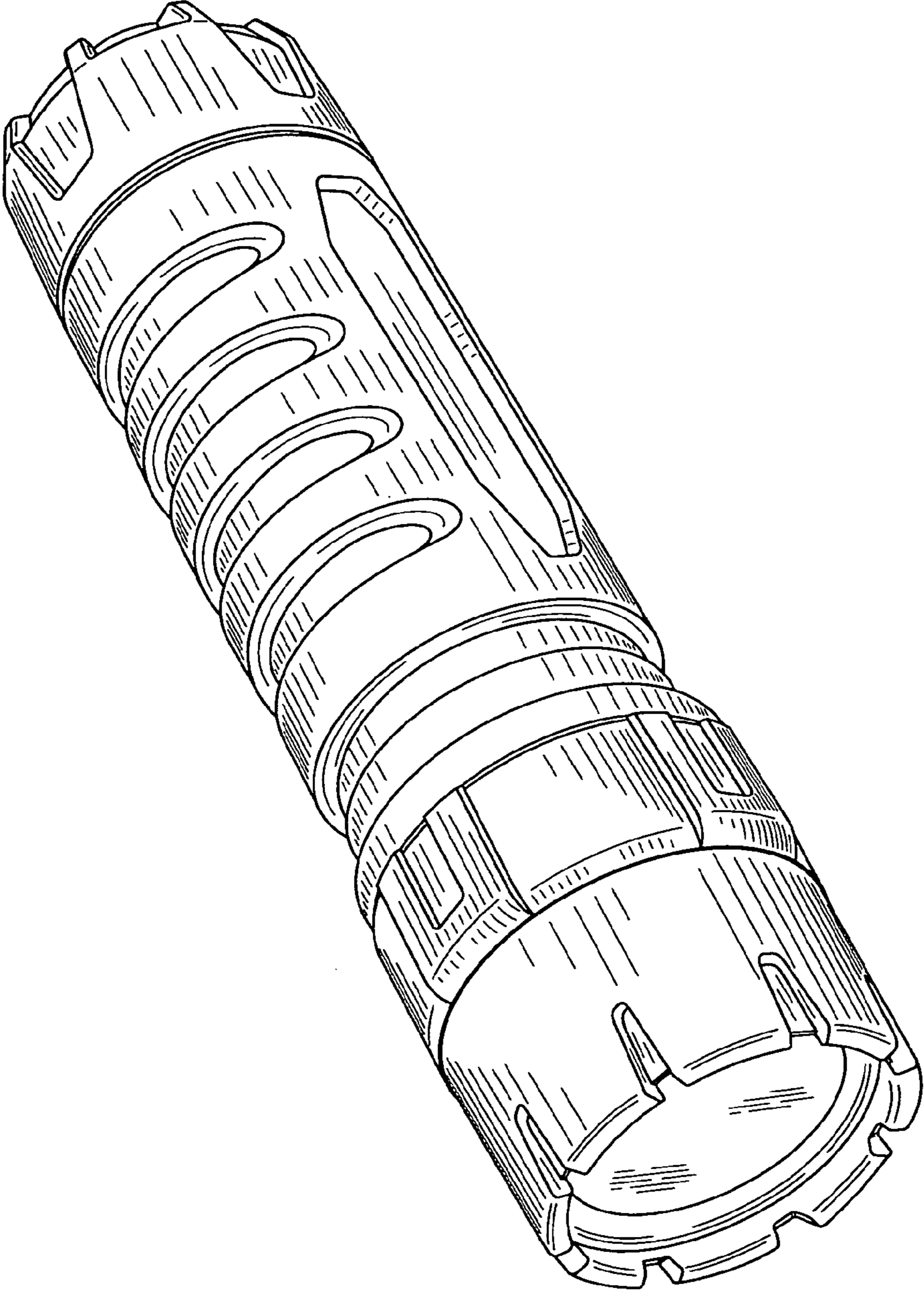


FIG. 1

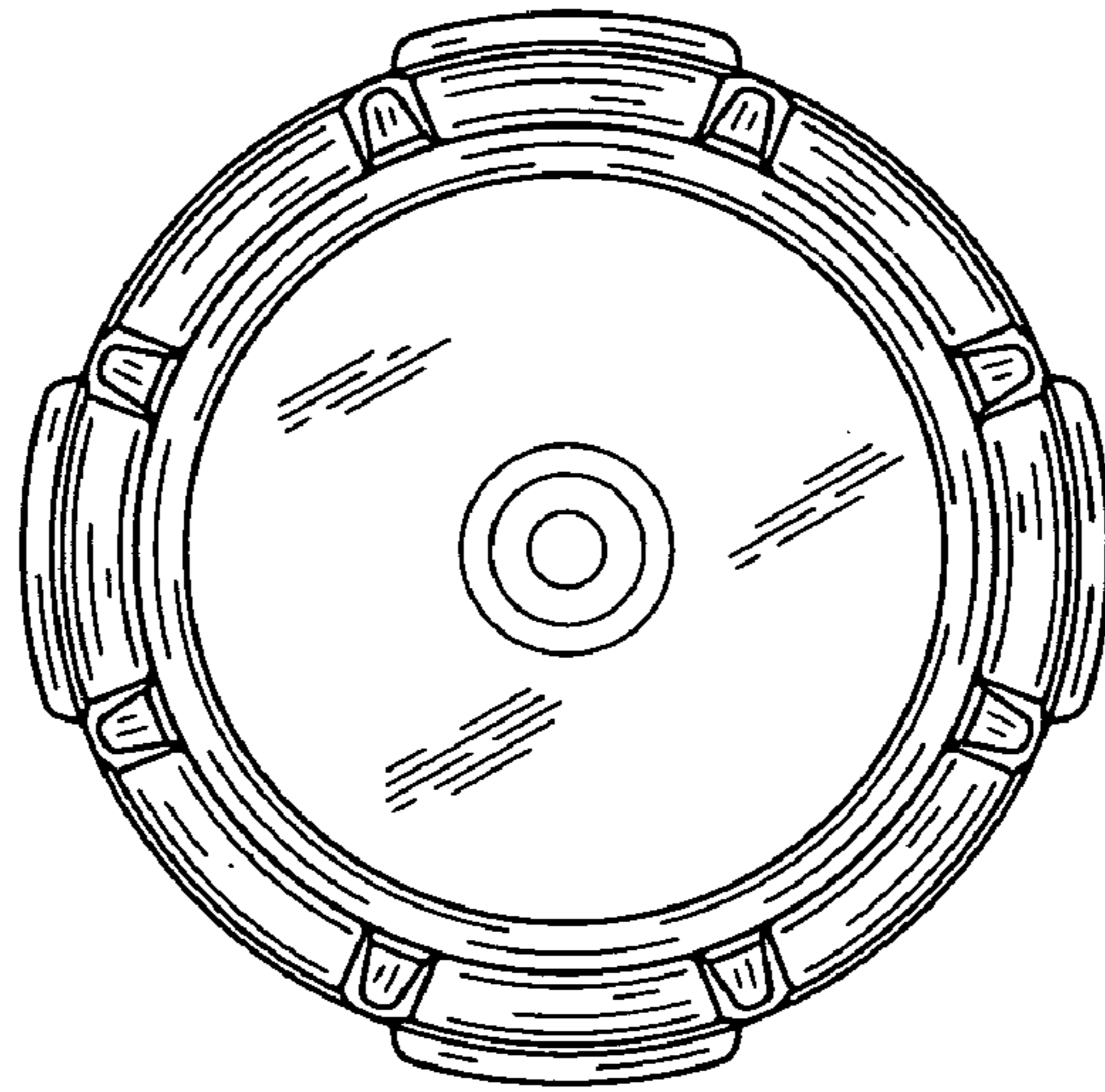


FIG. 2

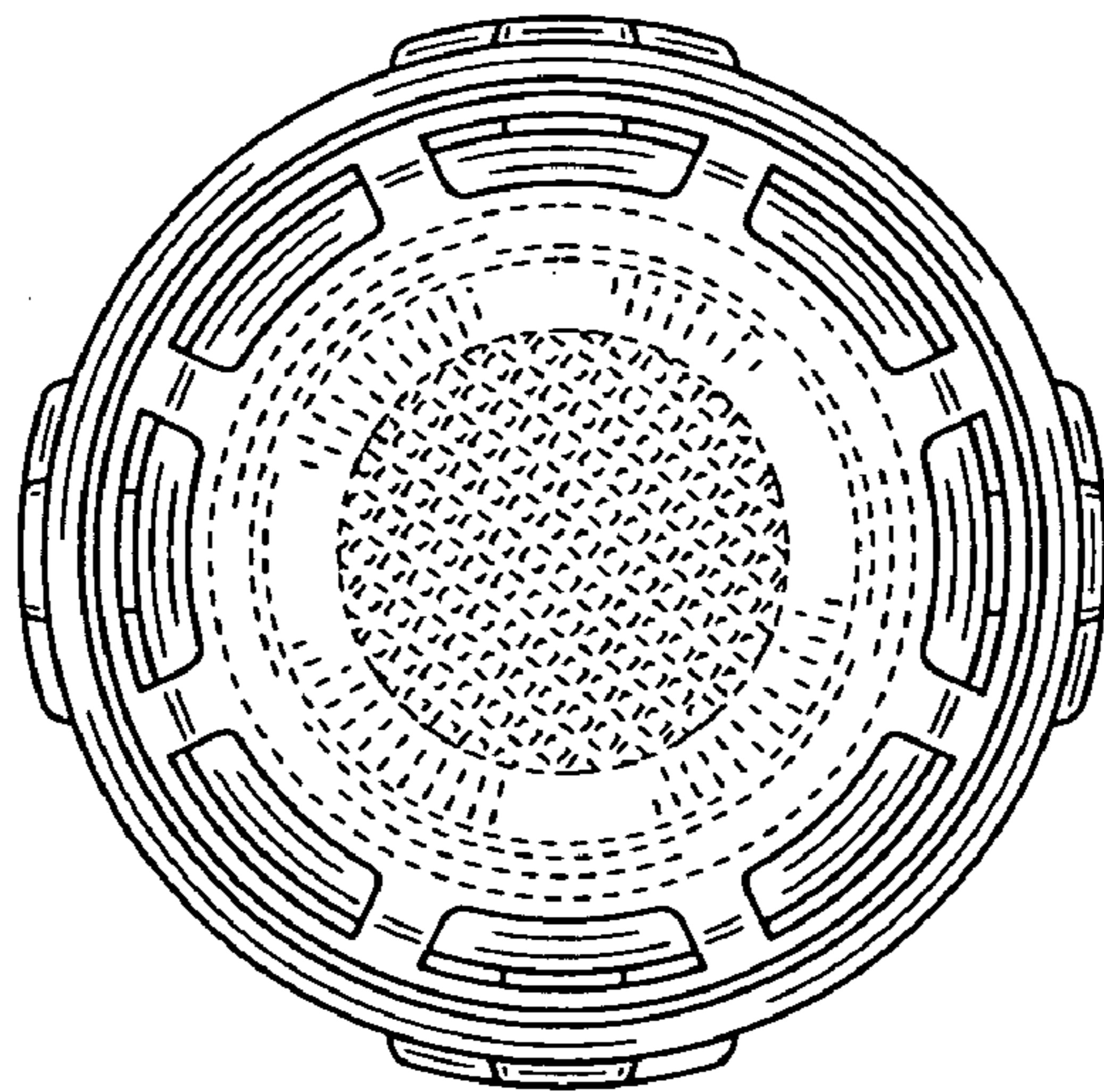


FIG. 3

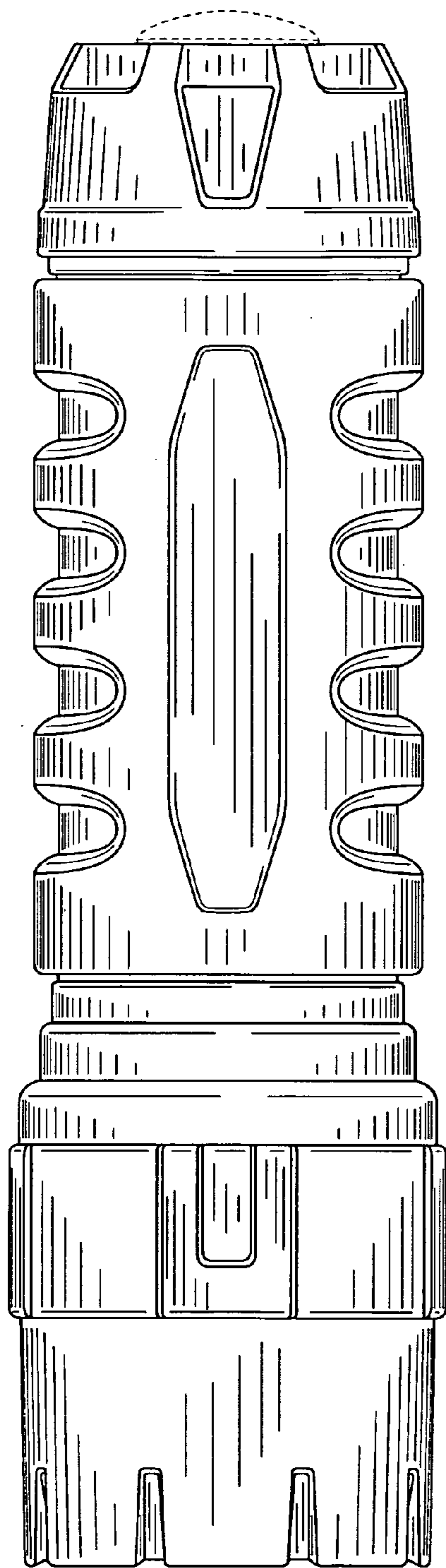


FIG. 4

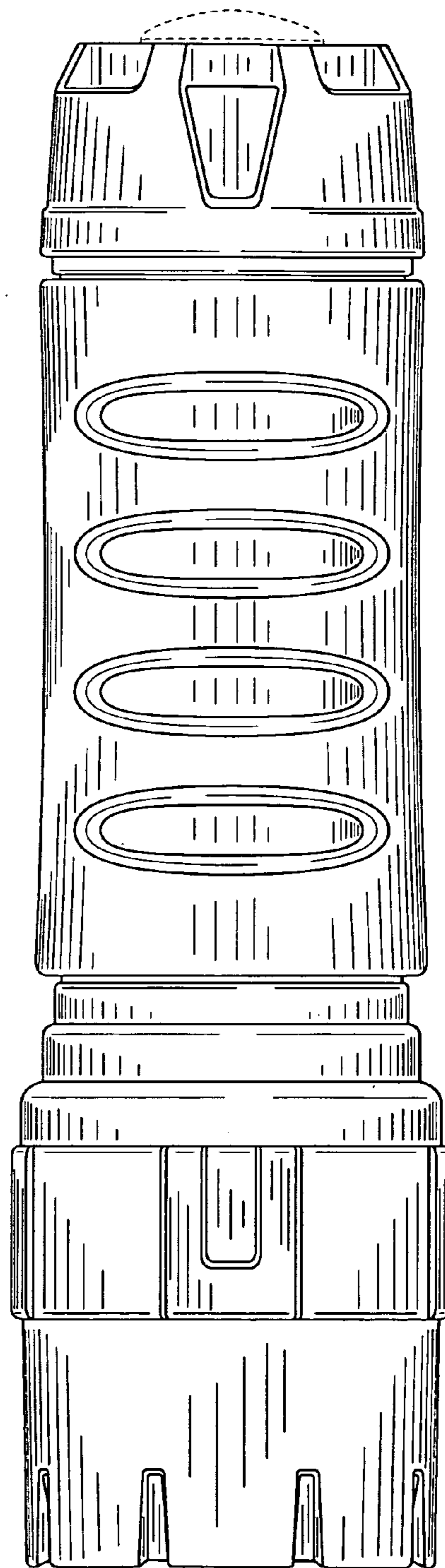


FIG. 5