



US00D598148S

(12) **United States Design Patent**  
**Leslie et al.**

(10) **Patent No.:** **US D598,148 S**  
(45) **Date of Patent:** **\*\* Aug. 11, 2009**

(54) **UTILITY LIGHT**

(75) Inventors: **Stuart Leslie**, Larchmont, NY (US);  
**Roland Zeder**, New York, NY (US)

(73) Assignee: **Honeywell International Inc.**,  
Morristown, NJ (US)

(\*\*) Term: **14 Years**

(21) Appl. No.: **29/325,901**

(22) Filed: **Oct. 8, 2008**

**Related U.S. Application Data**

(62) Division of application No. 29/283,357, filed on Aug. 11, 2007, now Pat. No. Des. 580,574.

(51) **LOC (9) Cl.** ..... **26-02**

(52) **U.S. Cl.** ..... **D26/37; D26/63**

(58) **Field of Classification Search** ..... D26/24,  
D26/26, 37, 72, 39, 43, 60-61, 63-64, 66;  
362/157, 159, 182-184, 186, 200-201, 208,  
362/640-644, 98-99, 177, 181, 190, 197-198,  
362/490, 116; D10/5

See application file for complete search history.

(56) **References Cited**

**U.S. PATENT DOCUMENTS**

D358,223 S \* 5/1995 Ferrell et al. .... D26/37  
D486,260 S \* 2/2004 Christianson et al. .... D26/60

D498,551 S \* 11/2004 Chan ..... D26/37  
D507,673 S \* 7/2005 Martin ..... D26/60  
D524,962 S \* 7/2006 Farmer ..... D26/37  
D527,129 S \* 8/2006 Hodgson ..... D26/42  
D580,574 S \* 11/2008 Leslie et al. .... D26/37

\* cited by examiner

*Primary Examiner*—Ian Simmons

*Assistant Examiner*—Dana L Sipos

(74) *Attorney, Agent, or Firm*—Cantor Colburn LLP.

(57) **CLAIM**

We claim, the ornamental design for a utility light, as shown and described.

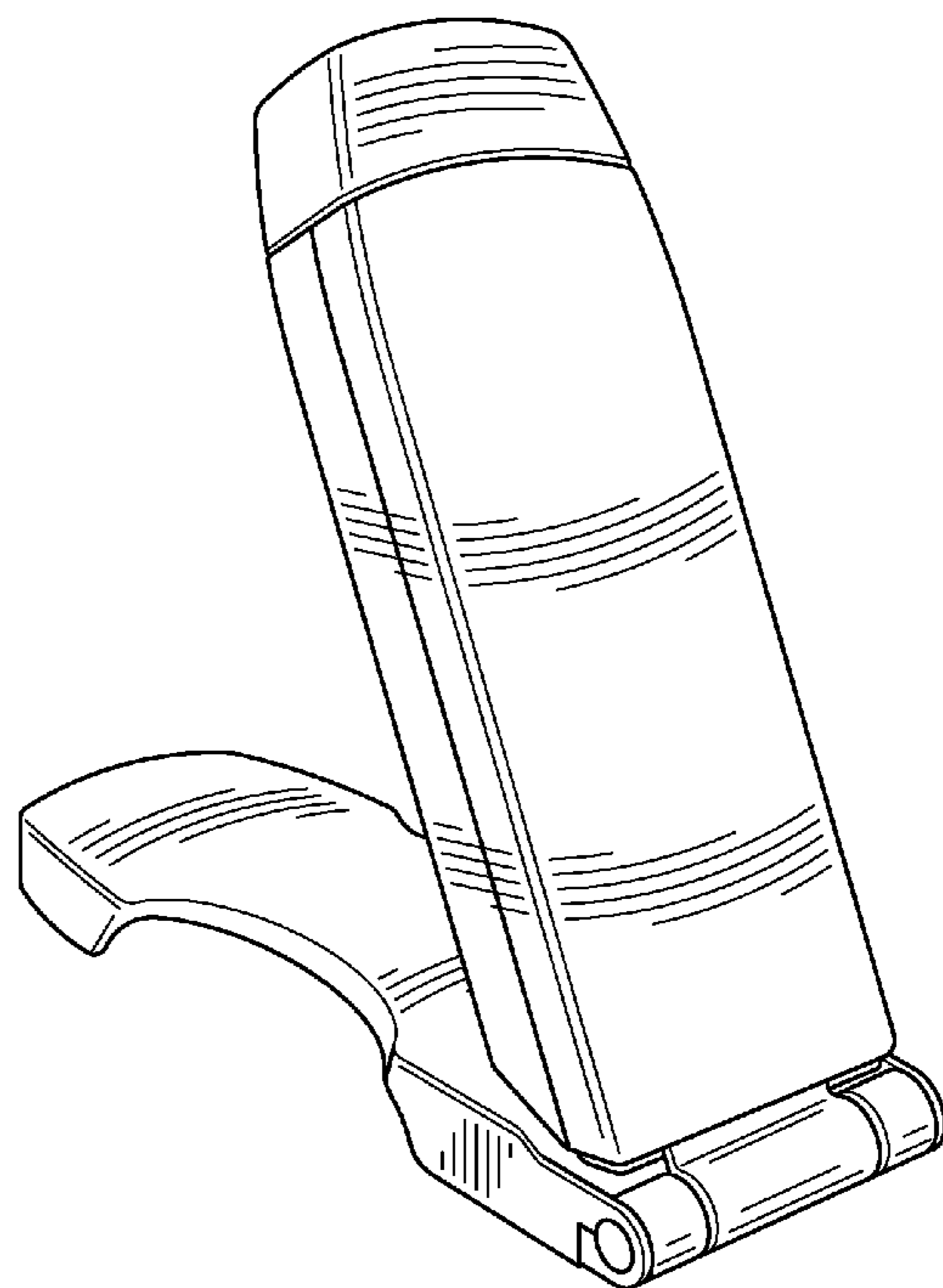
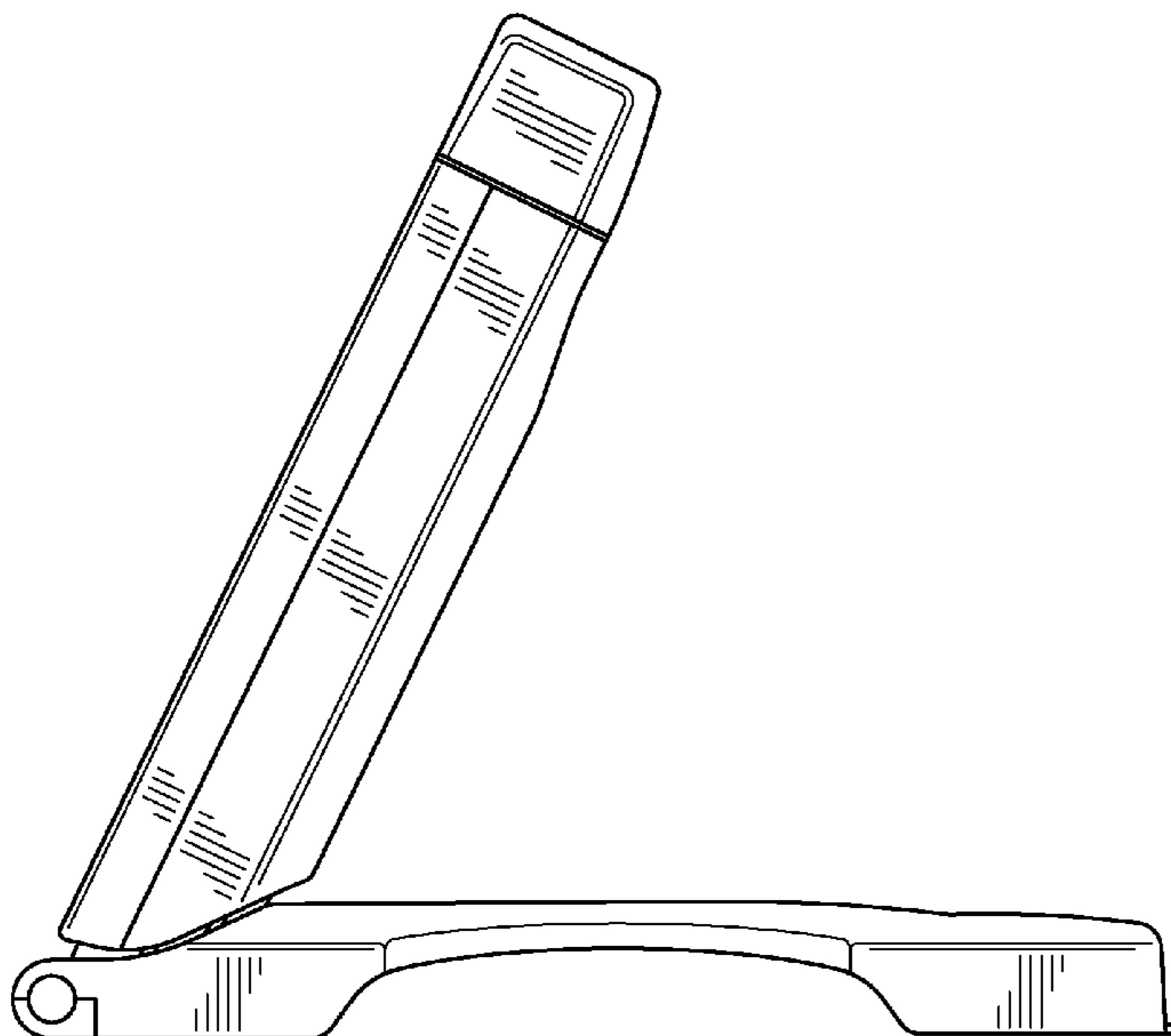
**DESCRIPTION**

FIG. 1 is a front elevation view of a utility light showing our new design in the operational position;

FIG. 2 is a right side elevation view thereof, the left side elevation view being a mirror image; and,

FIG. 3 is a top, front, left side perspective view thereof.

**1 Claim, 1 Drawing Sheet**



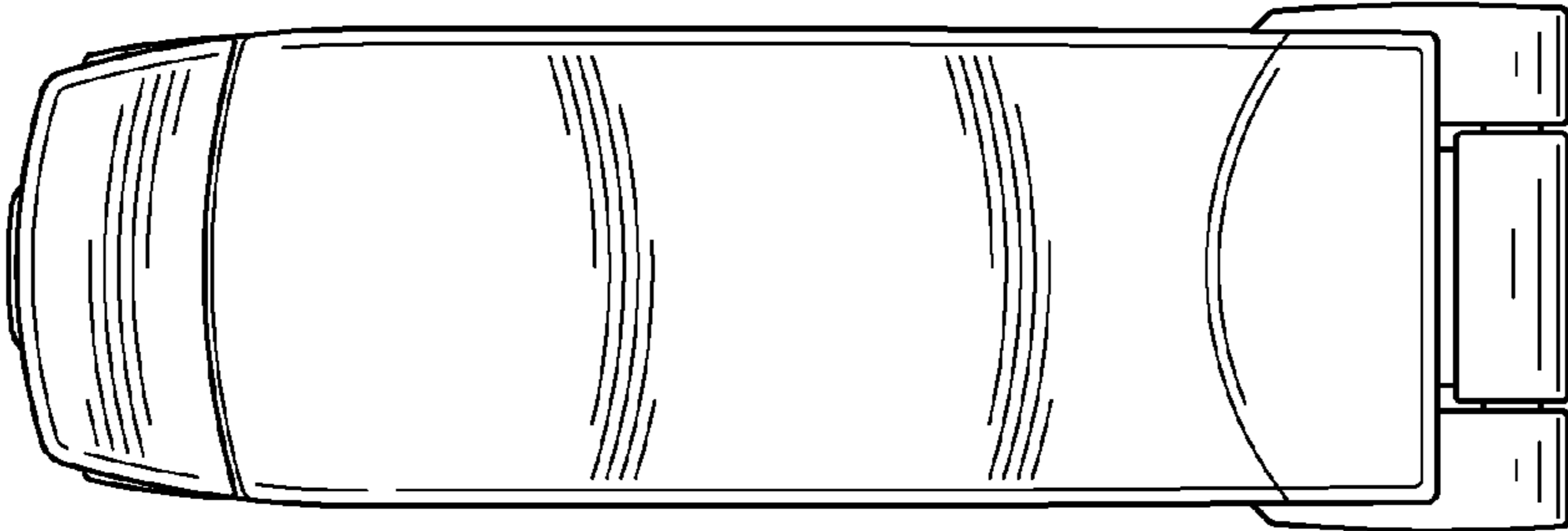


FIG. 1

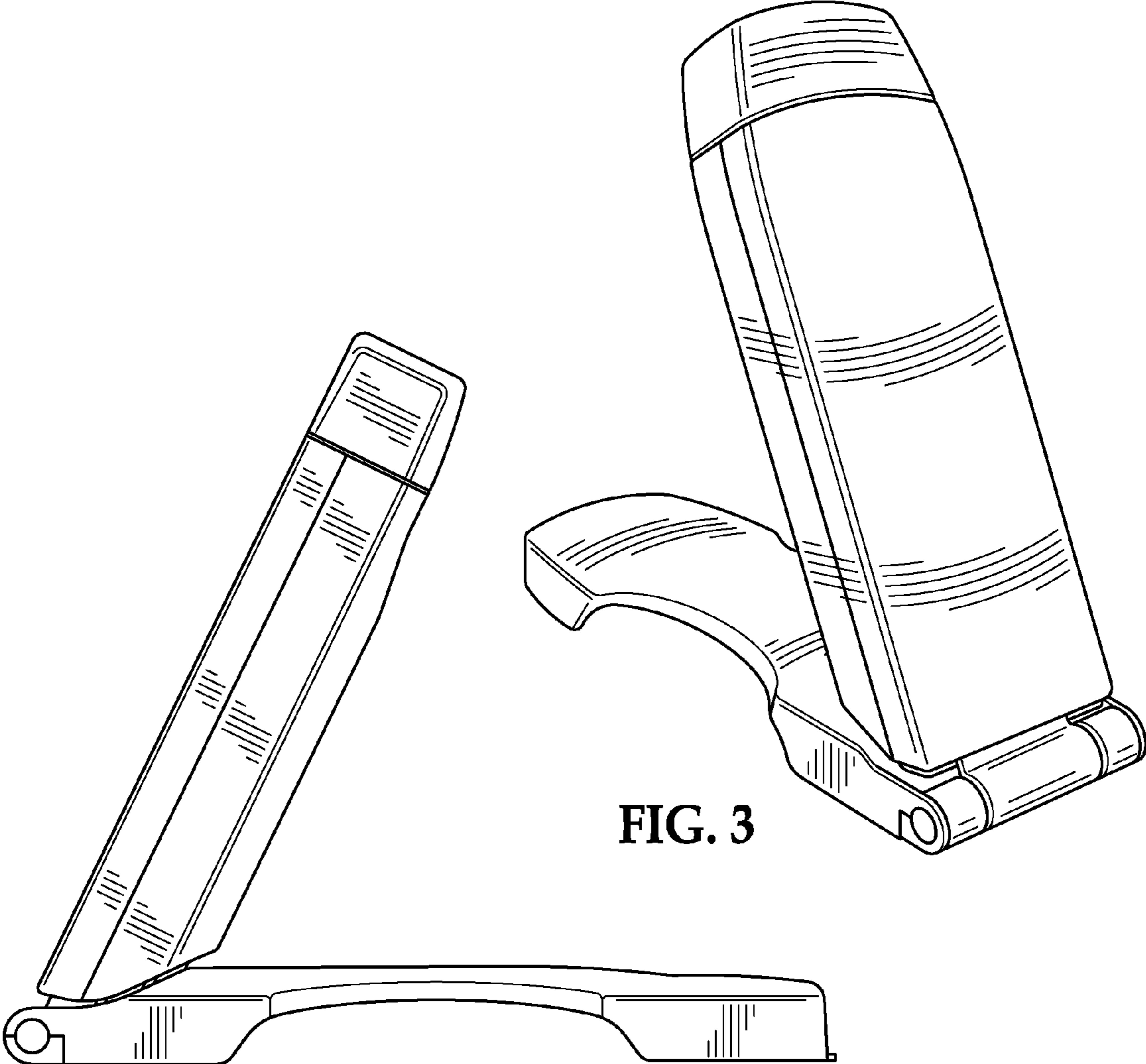


FIG. 3

FIG. 2