



US00D598147S

(12) **United States Design Patent**  
**Pelsma**

(10) **Patent No.:** **US D598,147 S**

(45) **Date of Patent:** **\*\* Aug. 11, 2009**

(54) **LAMPHOLDER FOR AUTOMOBILE**

D588,720 S \* 3/2009 Liu ..... D26/28

(75) Inventor: **Jelle Peter Pelsma**, Chartres (FR)

(73) Assignee: **Koninklijke Philips Electronics N.V.**,  
Eindhoven (NL)

\* cited by examiner

*Primary Examiner*—Marcus A. Jackson

(\*\*) Term: **14 Years**

(57) **CLAIM**

(21) Appl. No.: **29/331,493**

The ornamental design for a lampholder for automobile, as shown.

(22) Filed: **Jan. 27, 2009**

(30) **Foreign Application Priority Data**

**DESCRIPTION**

Jul. 30, 2008 (ES) ..... 000979273

(51) **LOC (9) Cl.** ..... **26-06**

(52) **U.S. Cl.** ..... **D26/28**

(58) **Field of Classification Search** ..... D26/28-36;  
362/459-468, 475-478, 485-487

See application file for complete search history.

FIG. 1 is a perspective view showing my design;

FIG. 2 is a front elevational view thereof;

FIG. 3 is a rear elevational view thereof;

FIG. 4 is a right side elevational view thereof;

FIG. 5 is a left side elevational view thereof;

FIG. 6 is a top plan view thereof; and,

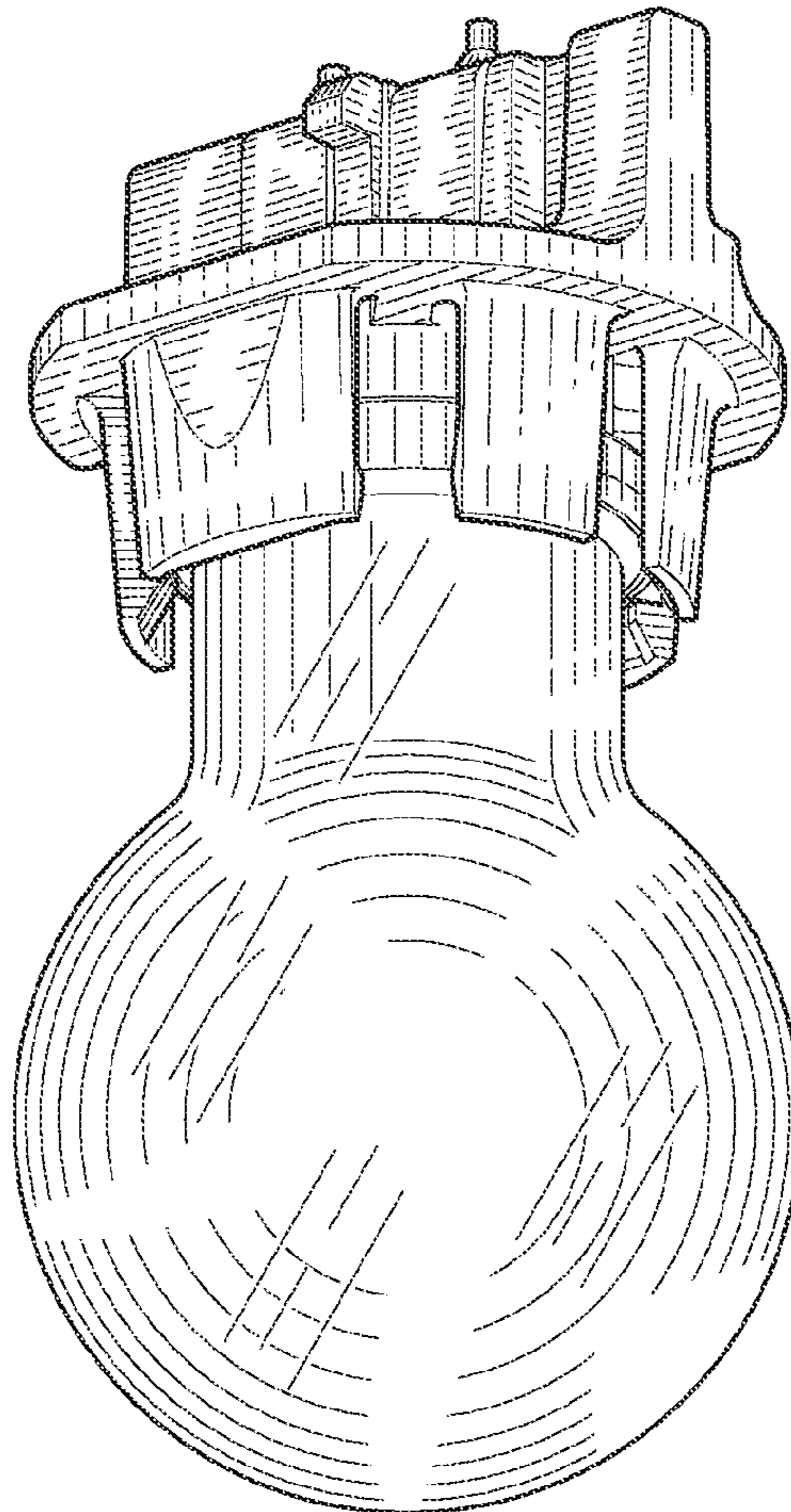
FIG. 7 is a bottom plan view thereof.

(56) **References Cited**

**U.S. PATENT DOCUMENTS**

D586,931 S \* 2/2009 Tseng ..... D26/28

**1 Claim, 3 Drawing Sheets**



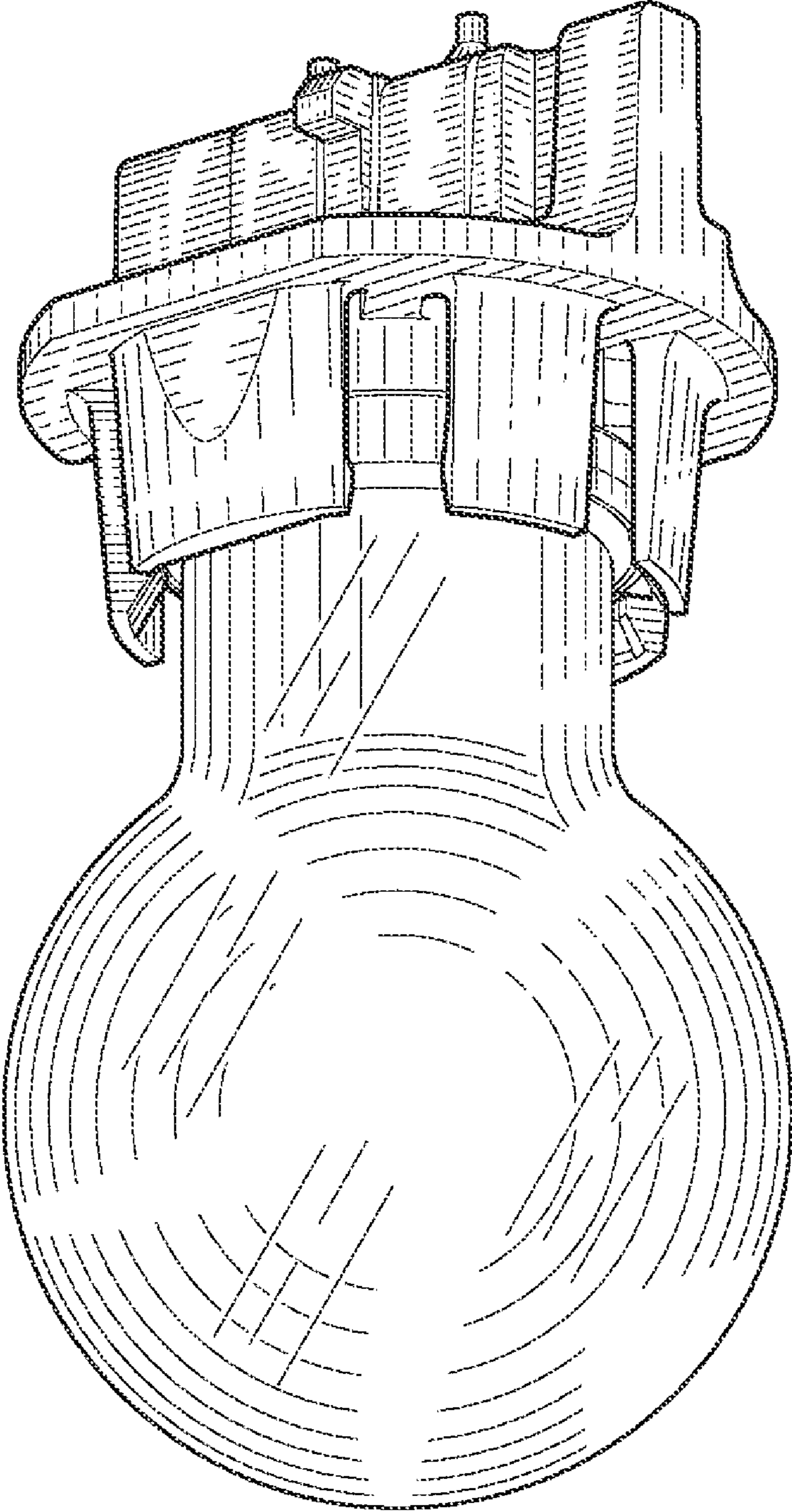


FIG. 1

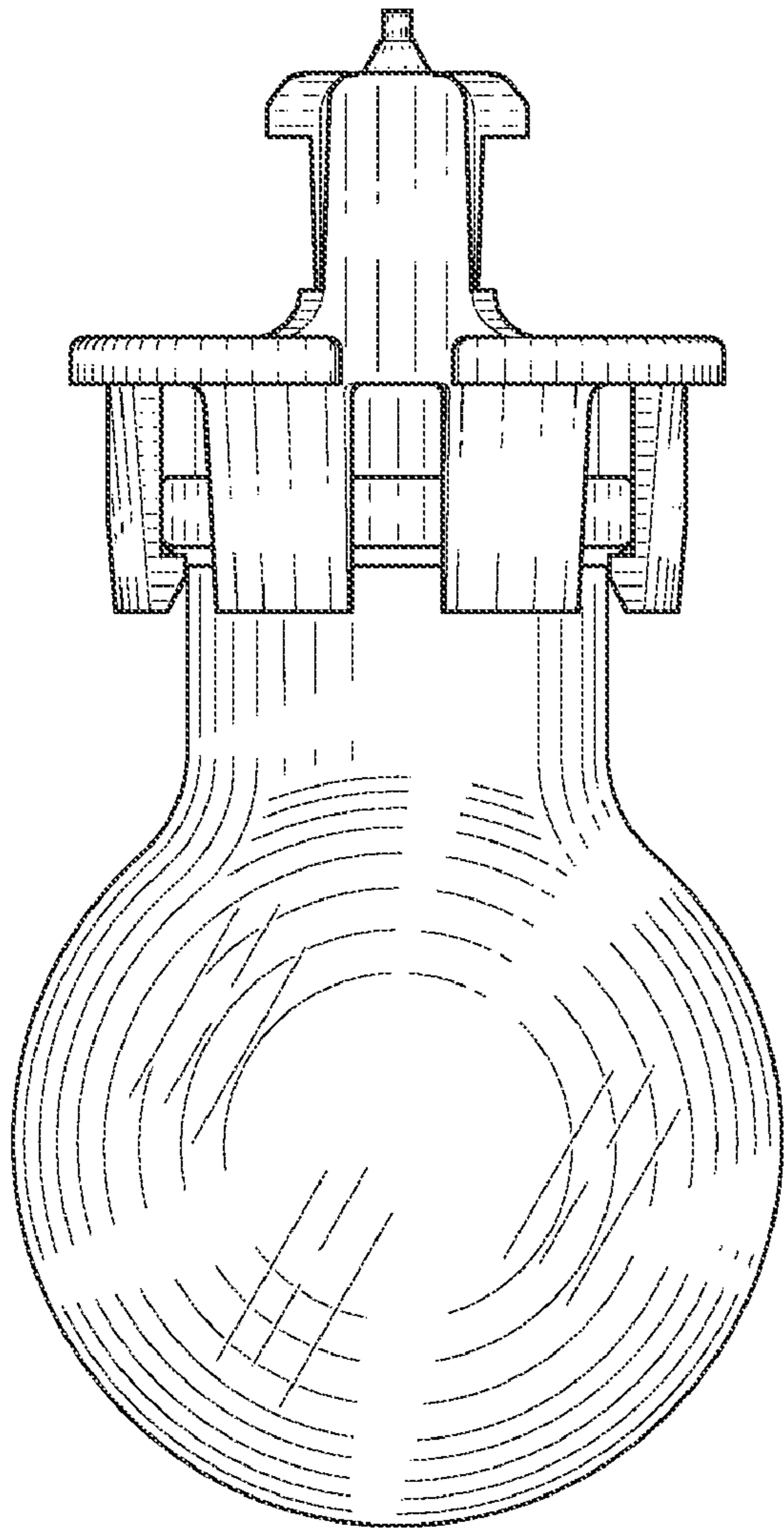


FIG. 2

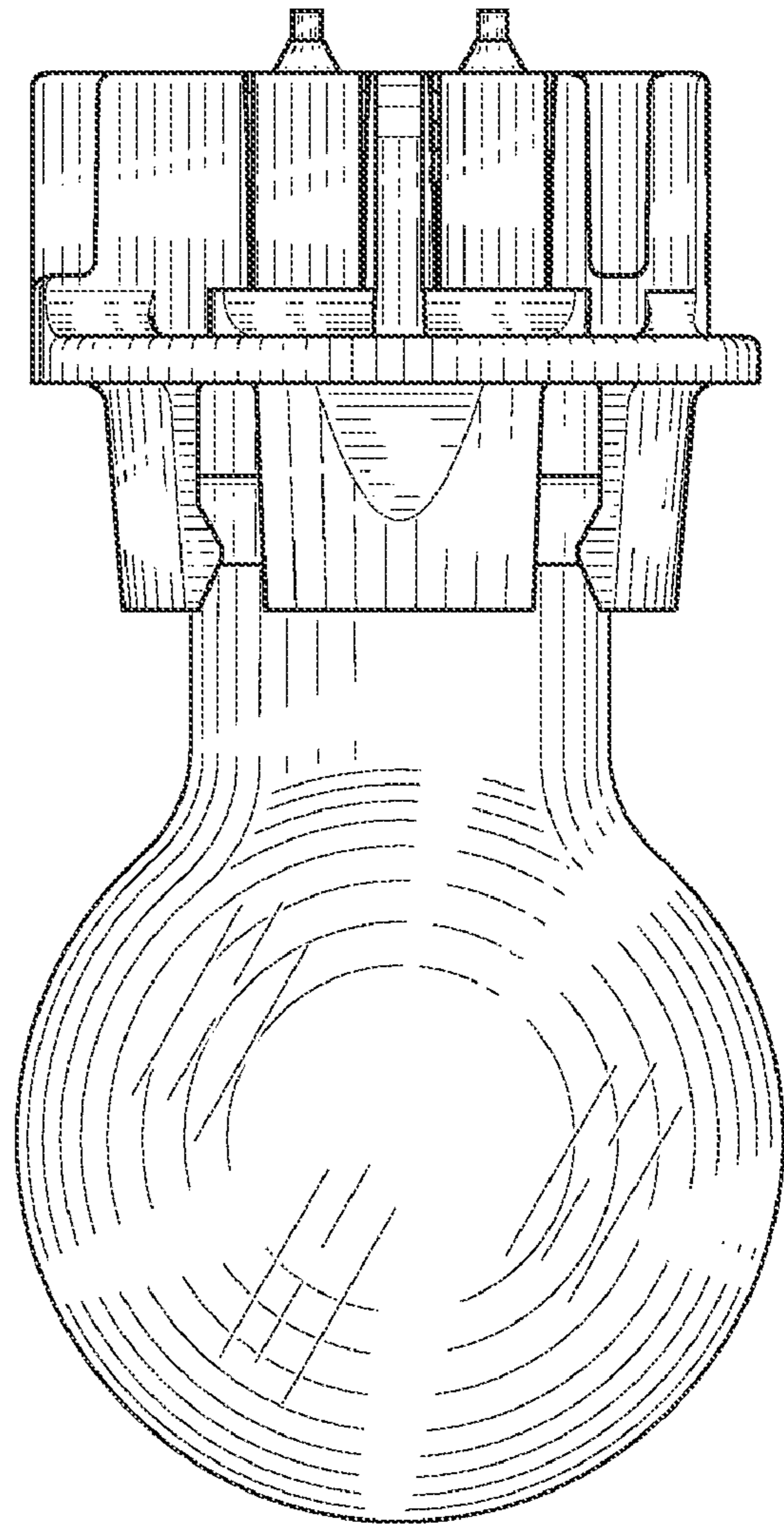


FIG. 3

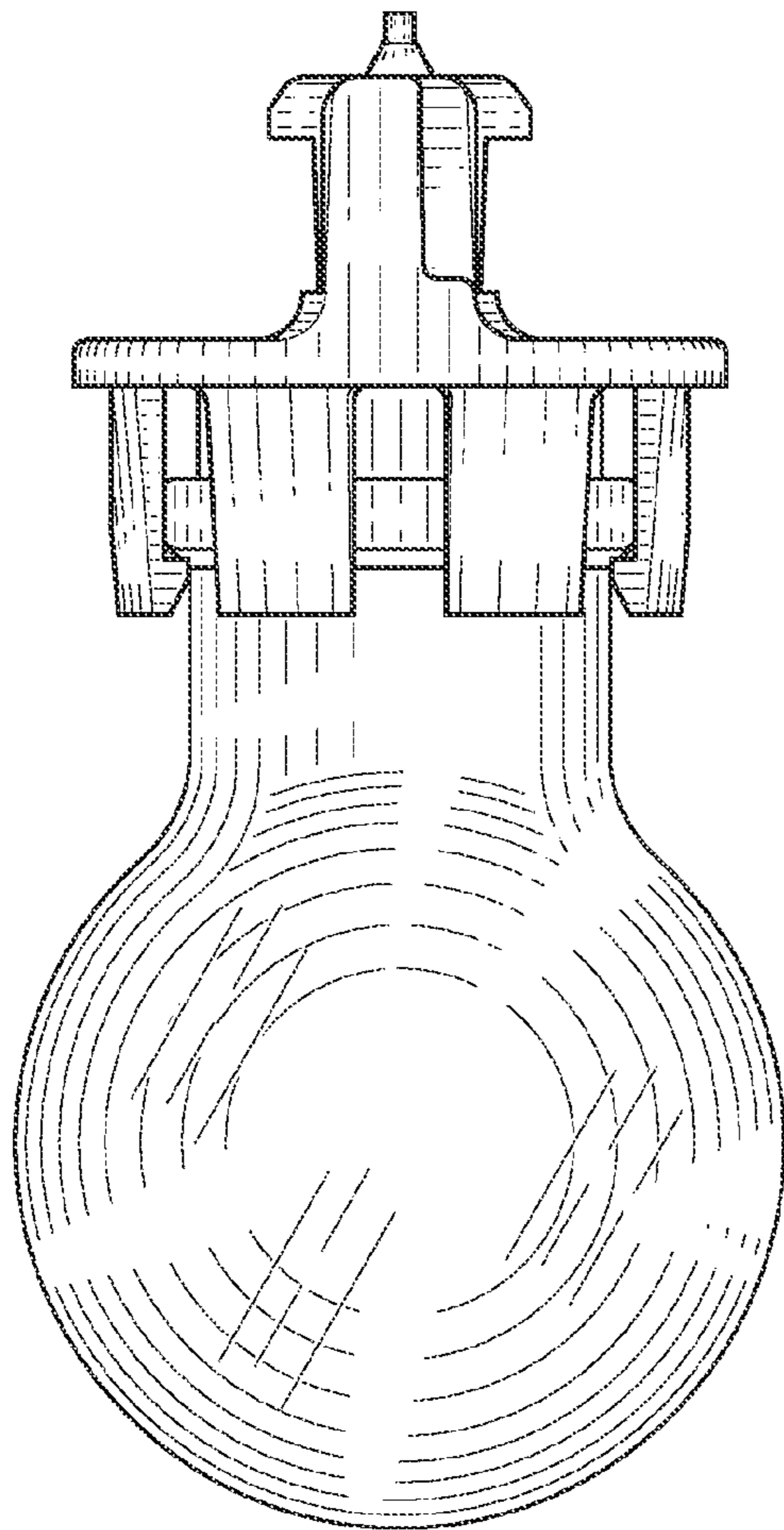


FIG. 4

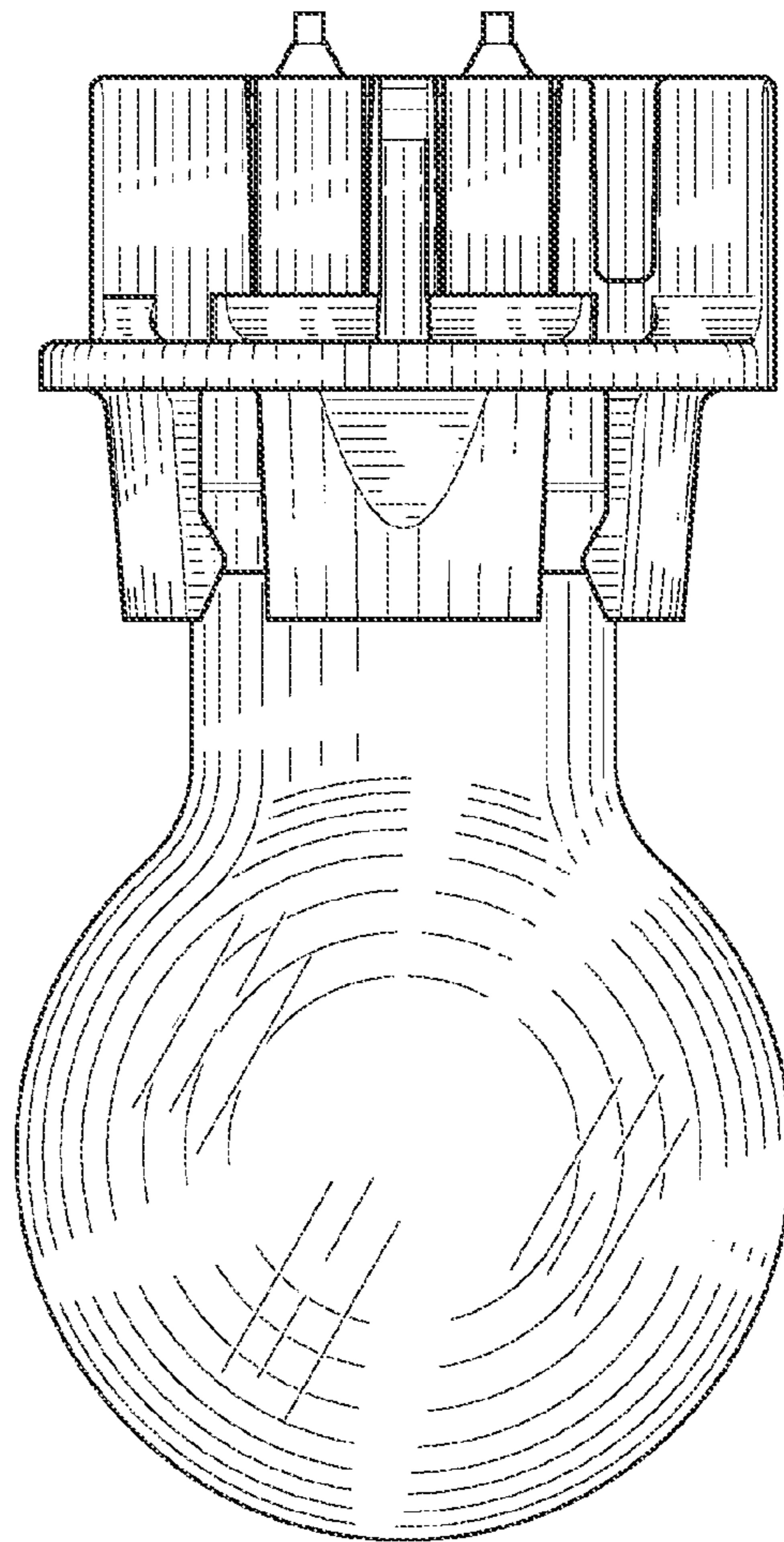


FIG. 5

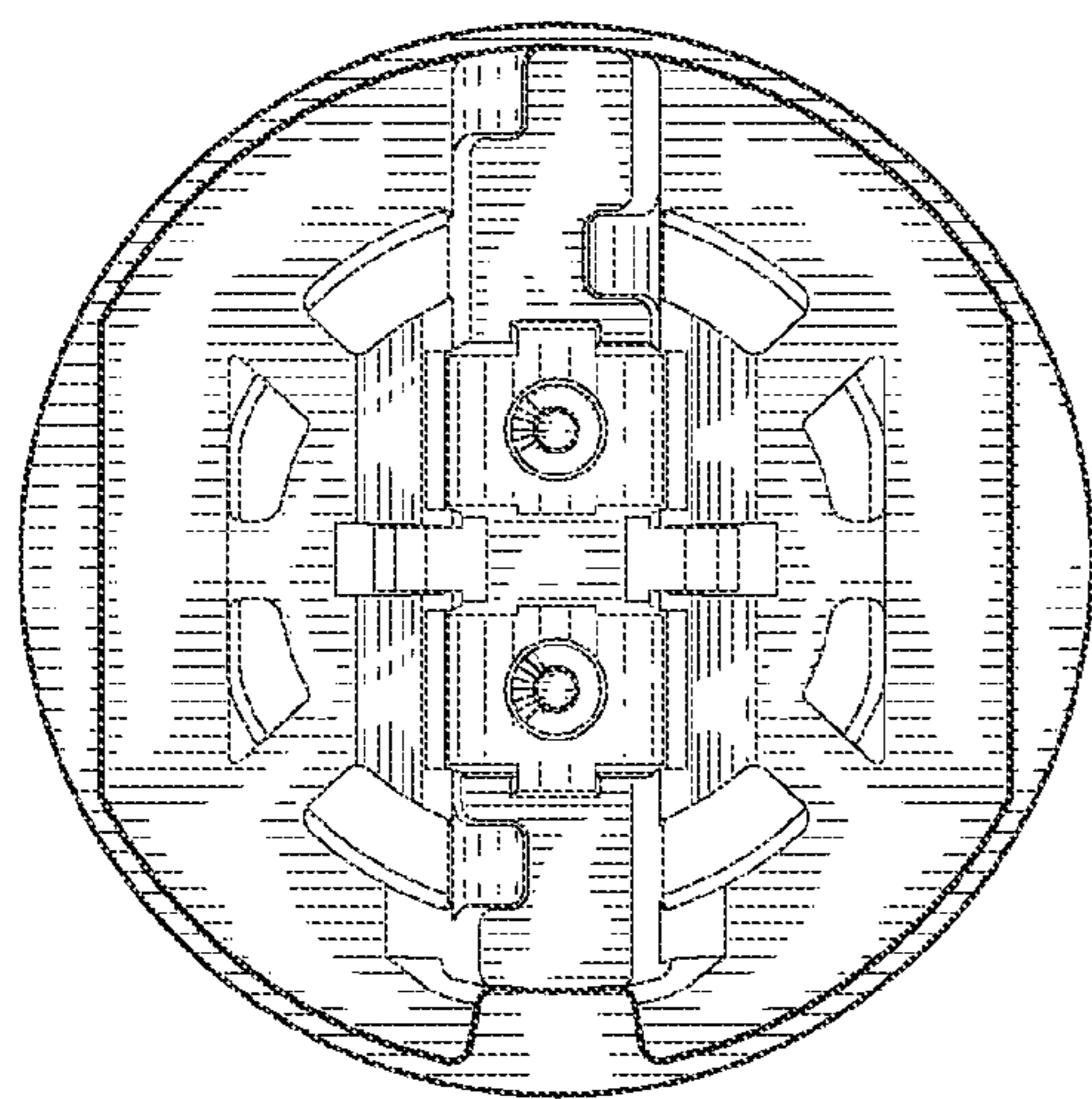


FIG. 6

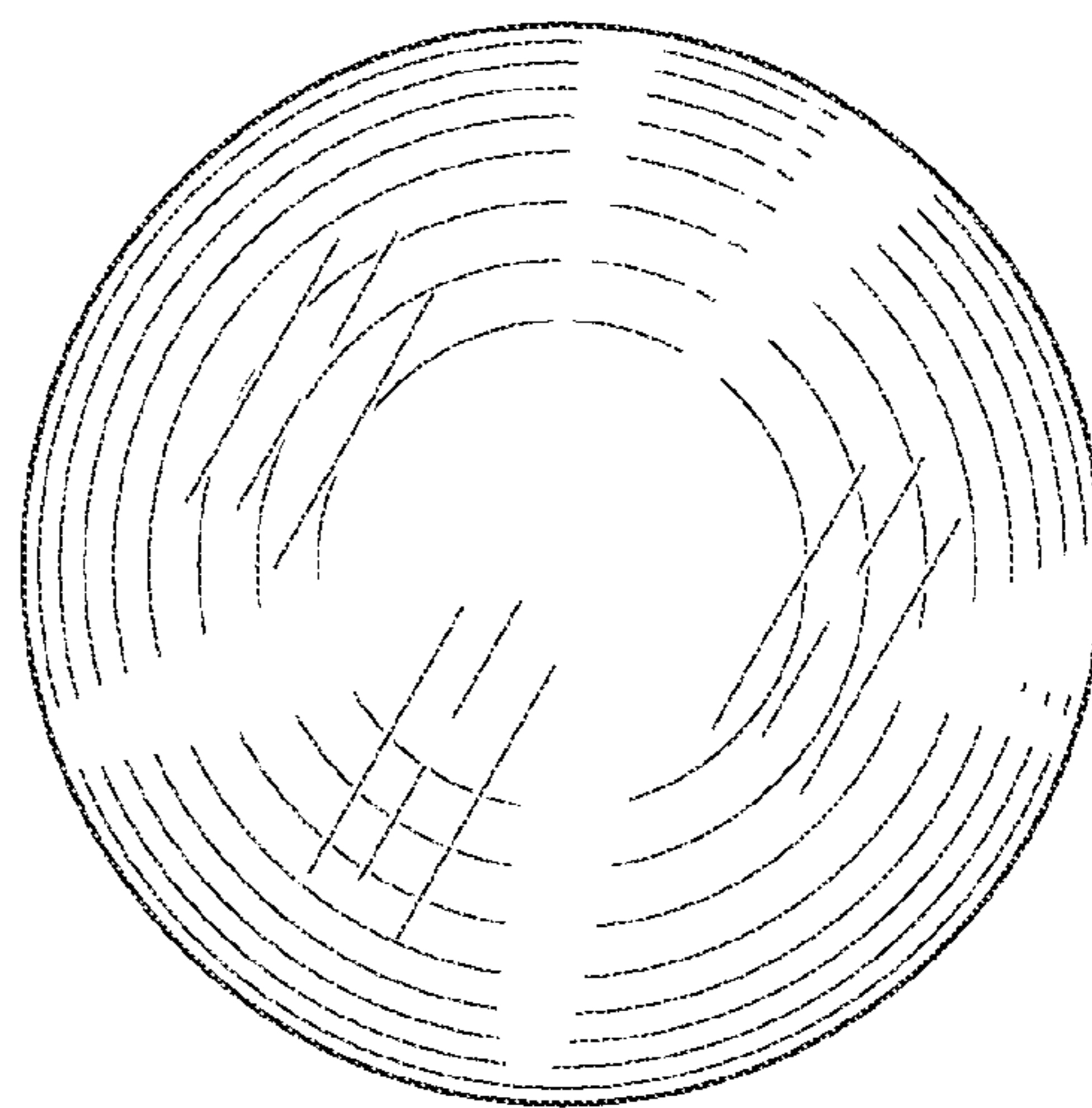


FIG. 7