



US00D598144S

(12) **United States Design Patent**
Ko

(10) **Patent No.:** **US D598,144 S**

(45) **Date of Patent:** **** Aug. 11, 2009**

(54) **HEADLIGHT FOR HEAVY EQUIPMENT**

D578,685 S * 10/2008 Manus D26/28
D581,069 S * 11/2008 Vanderhoek D26/28

(75) Inventor: **In-Hong Ko**, Seoul (KR)

* cited by examiner

(73) Assignee: **Wookang Tech Co., Ltd.**,
Cheongcheon-Dong, Bupyeong-Gu,
Incheon-Si (KR)

Primary Examiner—Marcus A. Jackson
(74) *Attorney, Agent, or Firm*—GWiPS

(**) Term: **14 Years**

(57) **CLAIM**

(21) Appl. No.: **29/311,180**

The ornamental design for a headlight for heavy equipment,
as shown and described.

(22) Filed: **Jan. 12, 2009**

DESCRIPTION

(51) **LOC (9) Cl.** **26-04**

FIG. 1 is a perspective view showing a new design of a
headlight for heavy equipment.

(52) **U.S. Cl.** **D26/28**

FIG. 2 is a front view thereof.

(58) **Field of Classification Search** D26/28-36;
362/459-468, 475-478, 485-487

FIG. 3 is a rear view thereof.

See application file for complete search history.

FIG. 4 is a left side view thereof.

FIG. 5 is a right side view thereof.

(56) **References Cited**

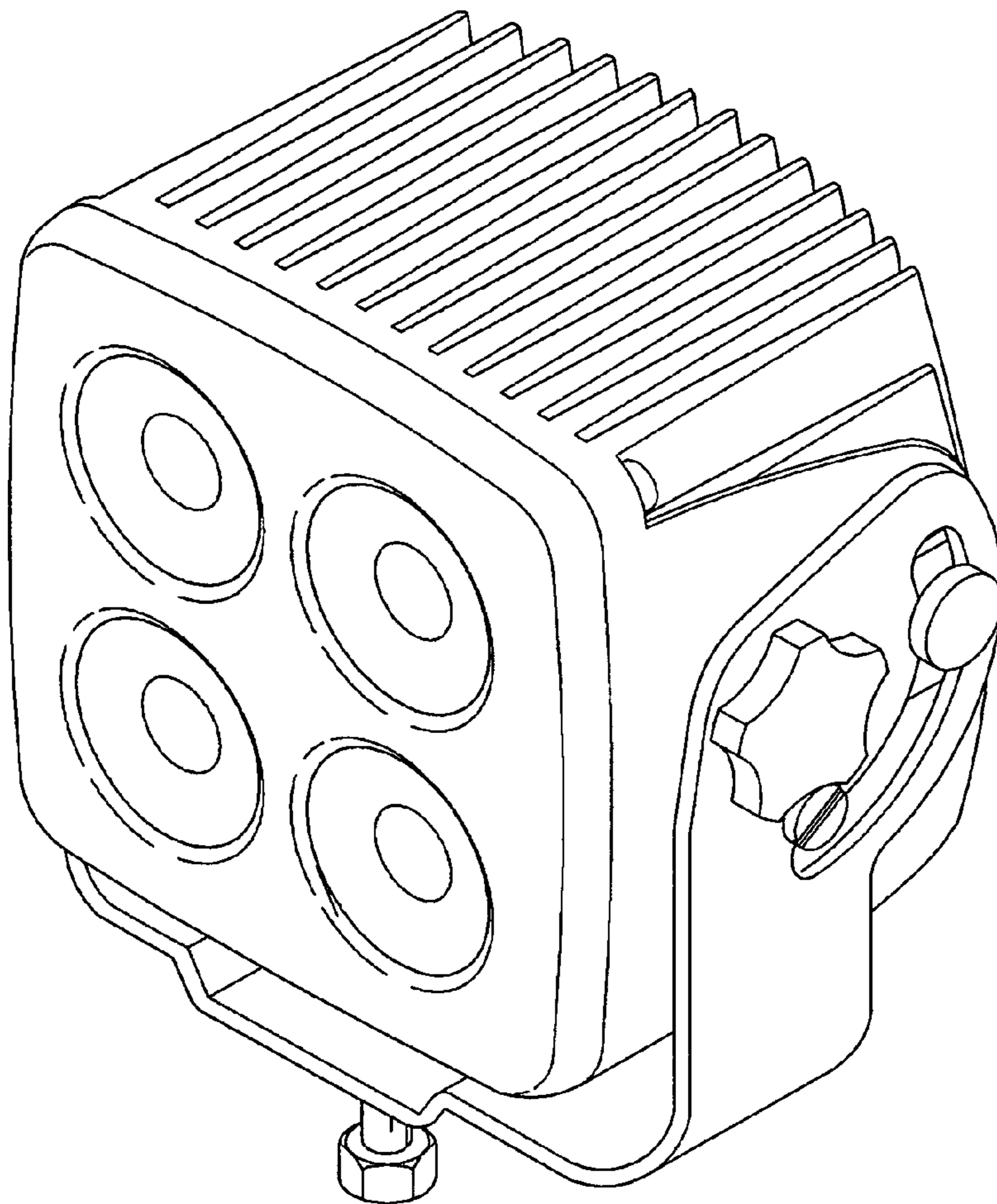
U.S. PATENT DOCUMENTS

D490,172 S * 5/2004 Yamamoto D26/28
D532,537 S * 11/2006 Shiu D26/39
D564,683 S * 3/2008 Roach et al. D26/28

FIG. 6 is a plan view thereof; and,

FIG. 7 is a bottom view thereof.

1 Claim, 6 Drawing Sheets



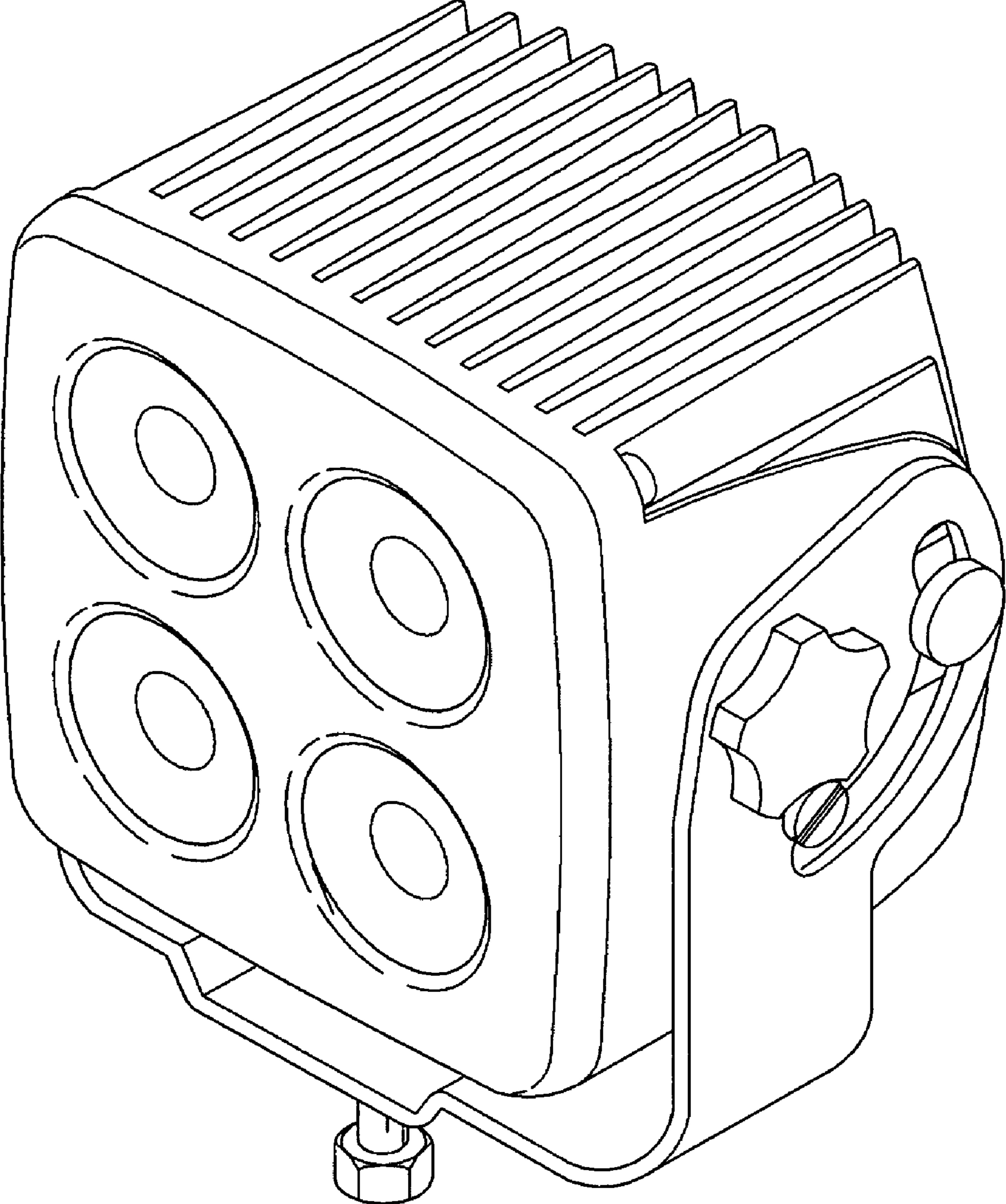


Fig. 1

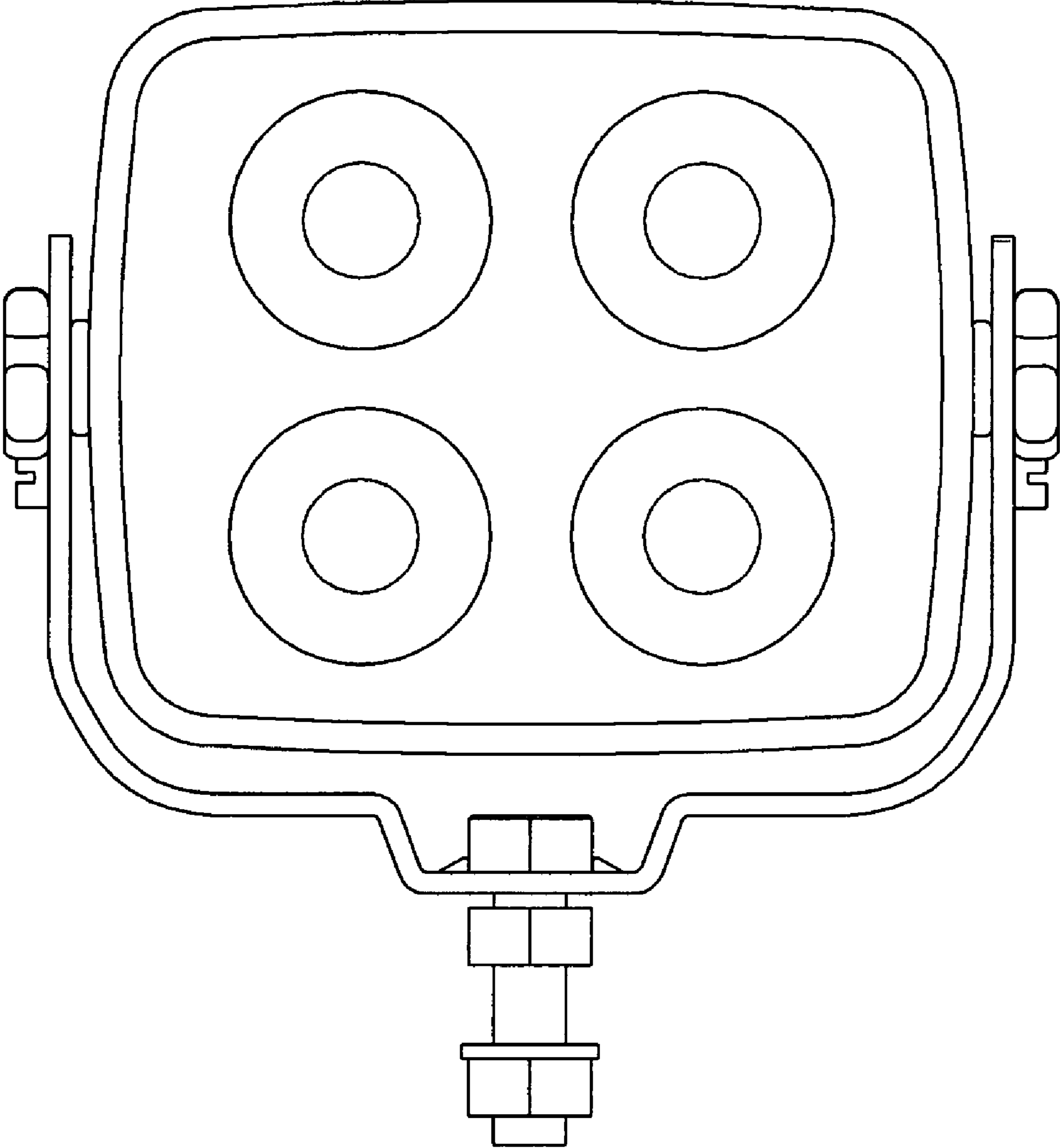


Fig. 2

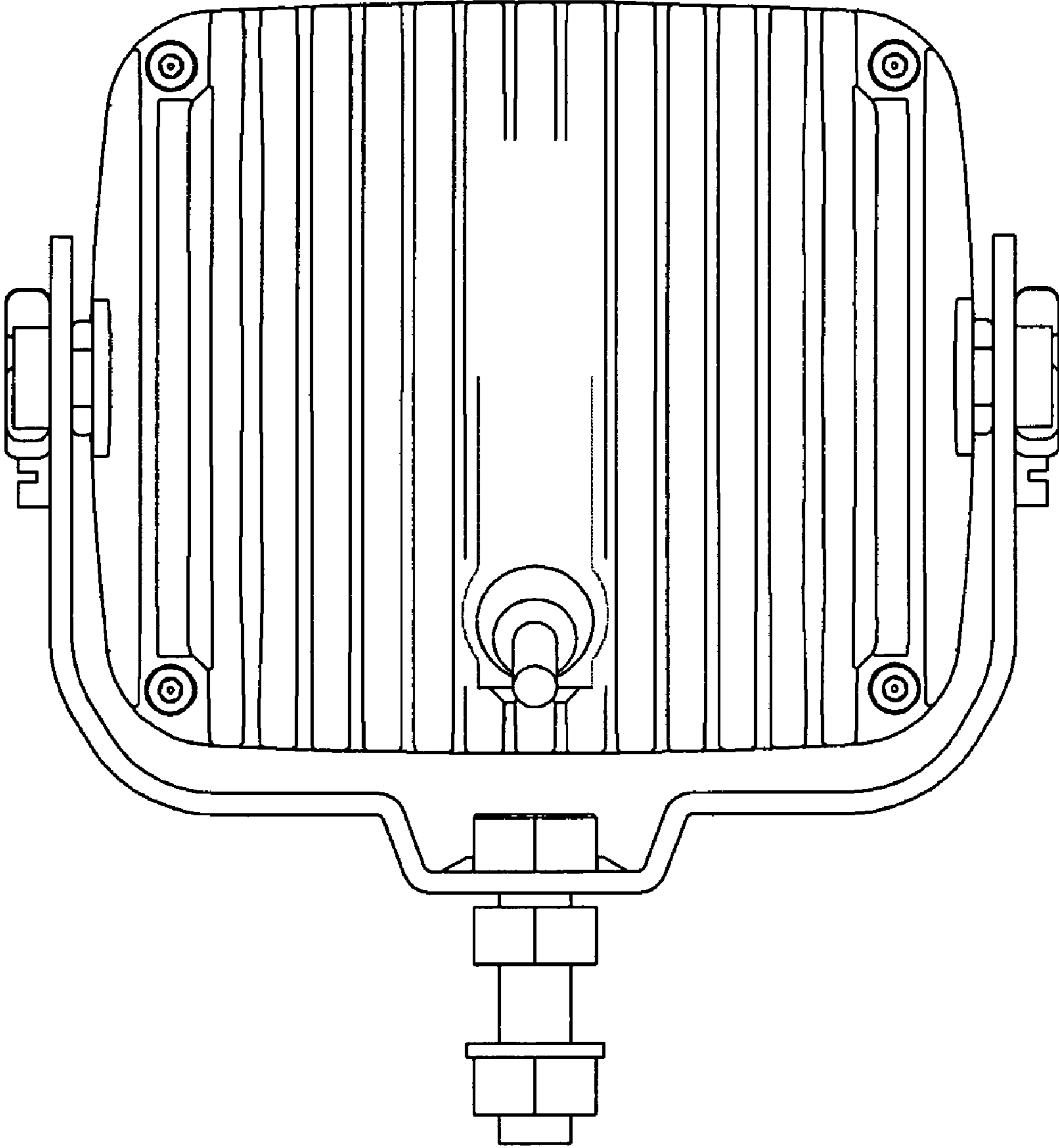


Fig. 3

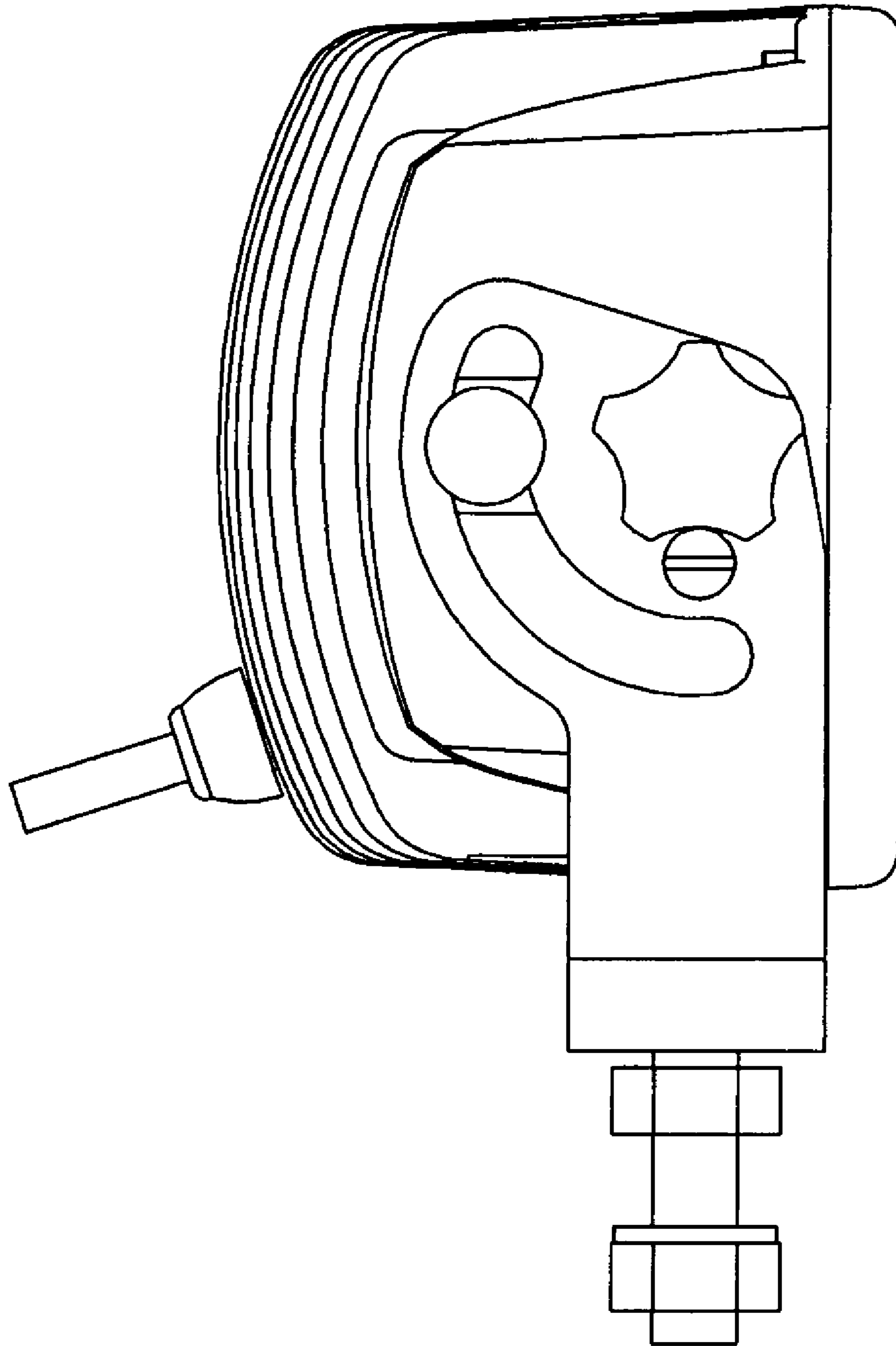


Fig. 4

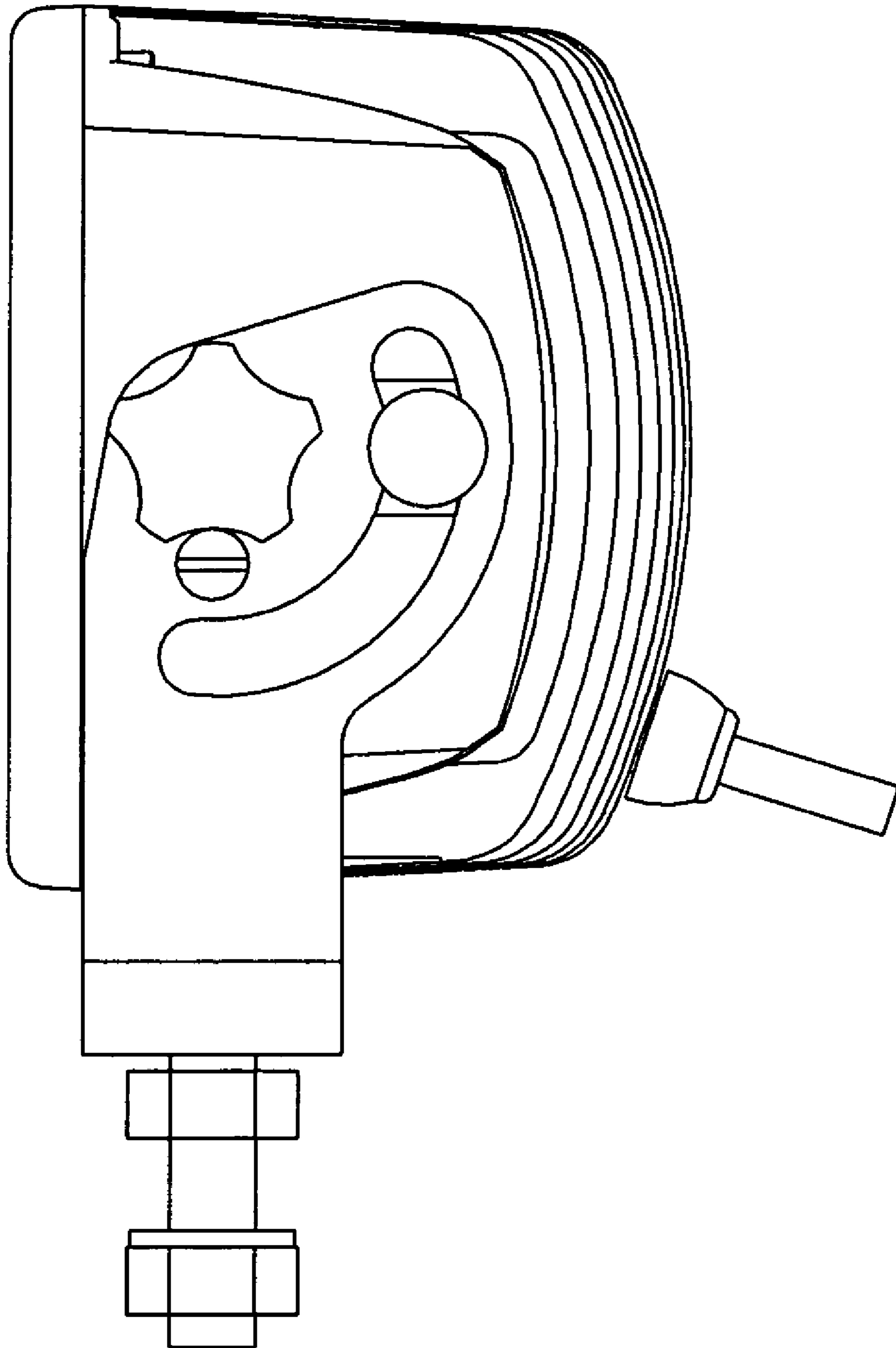


Fig. 5

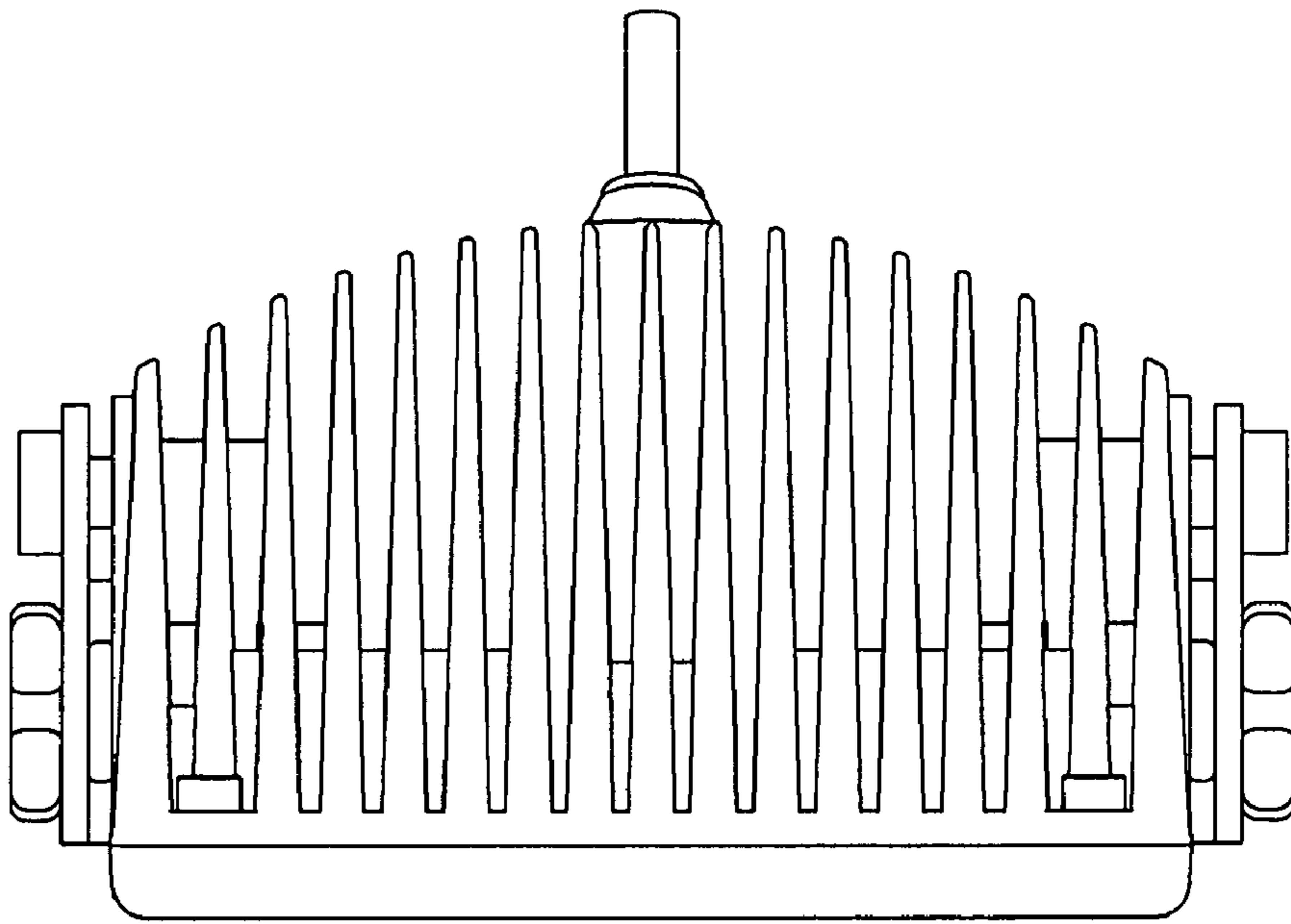


Fig. 6

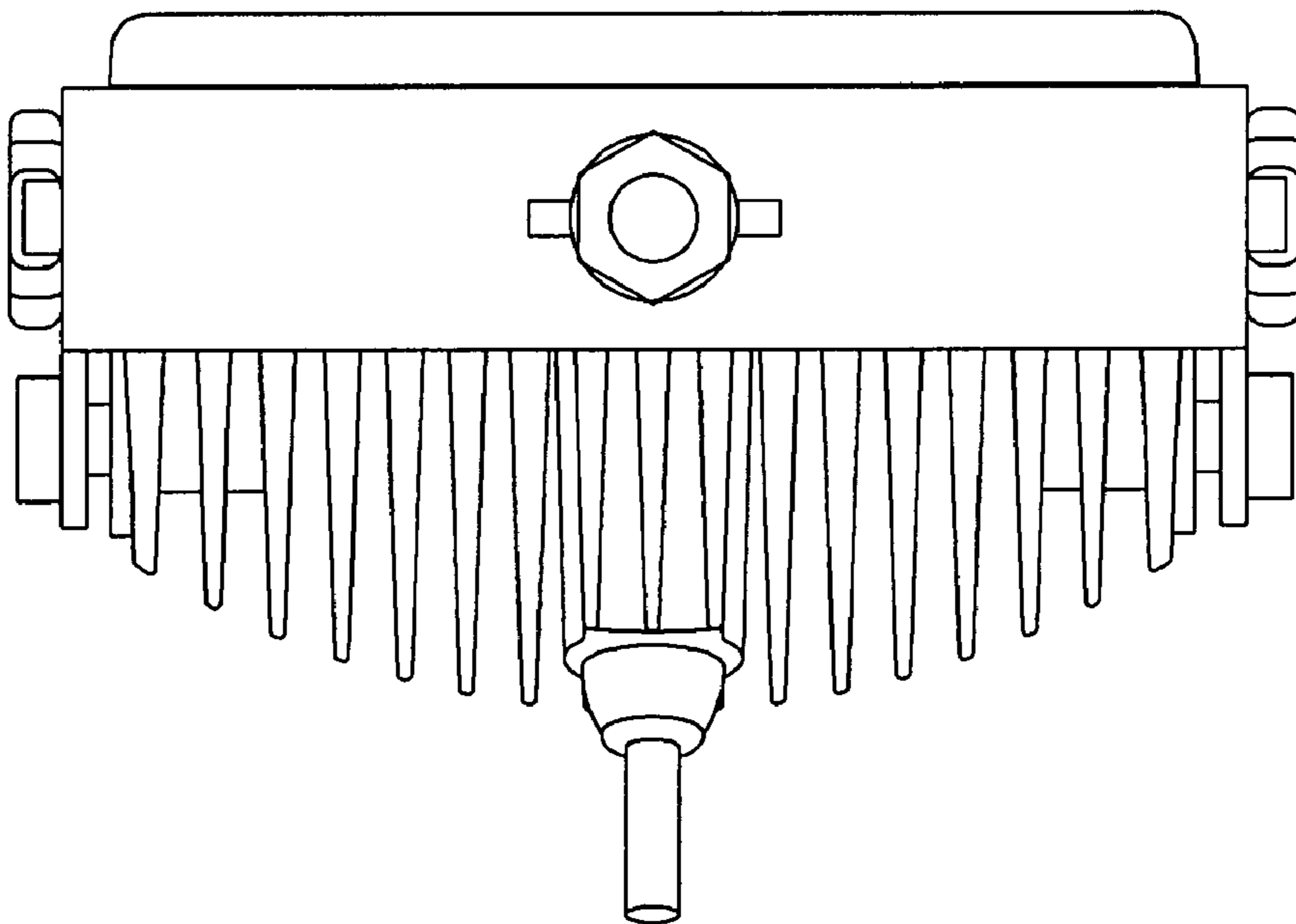


Fig. 7