

US00D598142S

(12) **United States Design Patent**
Kircher

(10) **Patent No.:** **US D598,142 S**

(45) **Date of Patent:** **** Aug. 11, 2009**

(54) **BELOW GROUND FENCE BARRIER**

2004/0251456 A1* 12/2004 Oden et al. 256/1
2005/0184281 A1 8/2005 Bryan

(76) Inventor: **Paul T Kircher**, 302 Fillmore St.,
Papillion, NE (US) 68046

* cited by examiner

(**) Term: **14 Years**

Primary Examiner—Doris Clark
(74) *Attorney, Agent, or Firm*—Crossley Patent Law; Mark A.
Crossley

(21) Appl. No.: **29/325,886**

(22) Filed: **Oct. 7, 2008**

(57) **CLAIM**

(51) **LOC (9) Cl.** **25-01**

The ornamental design for a below ground fence barrier, as shown and described.

(52) **U.S. Cl.** **D25/164**

(58) **Field of Classification Search** D25/199,
D25/38, 164; 47/32.7, 1; 256/1.01 R, 32.7;
52/583

See application file for complete search history.

DESCRIPTION

(56) **References Cited**

U.S. PATENT DOCUMENTS

5,328,156	A *	7/1994	Hoke	256/32
D353,214	S *	12/1994	DeGroot	D25/164
5,451,239	A	9/1995	Sewell et al.		
5,615,866	A *	4/1997	Kinnison	256/1
D413,397	S *	8/1999	Benjamin	D25/164
5,961,101	A *	10/1999	Anticole	256/24
2003/0160224	A1 *	8/2003	Damon et al.	256/19

FIG. 1 is a front elevation view of a below ground fence barrier showing my new design;

FIG. 2 is a right side elevation view thereof; the opposite side being the mirror image of the shown;

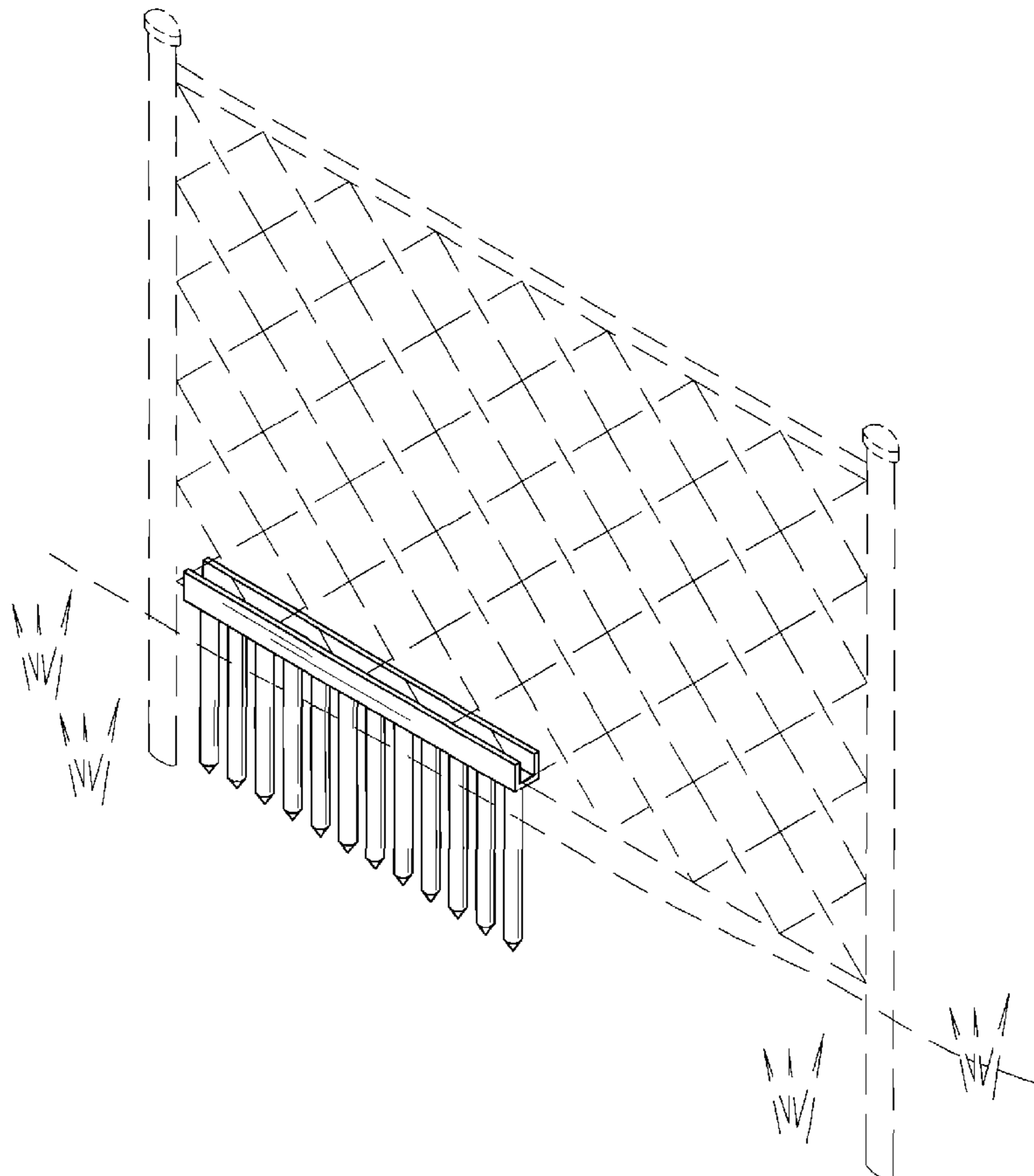
FIG. 3 is a top plan view thereof;

FIG. 4 is a bottom plan view thereof; and,

FIG. 5 is an isometric view thereof.

The broken lines shown in FIG. 5 are for illustrative purposes only and form no part of the claimed design.

1 Claim, 3 Drawing Sheets



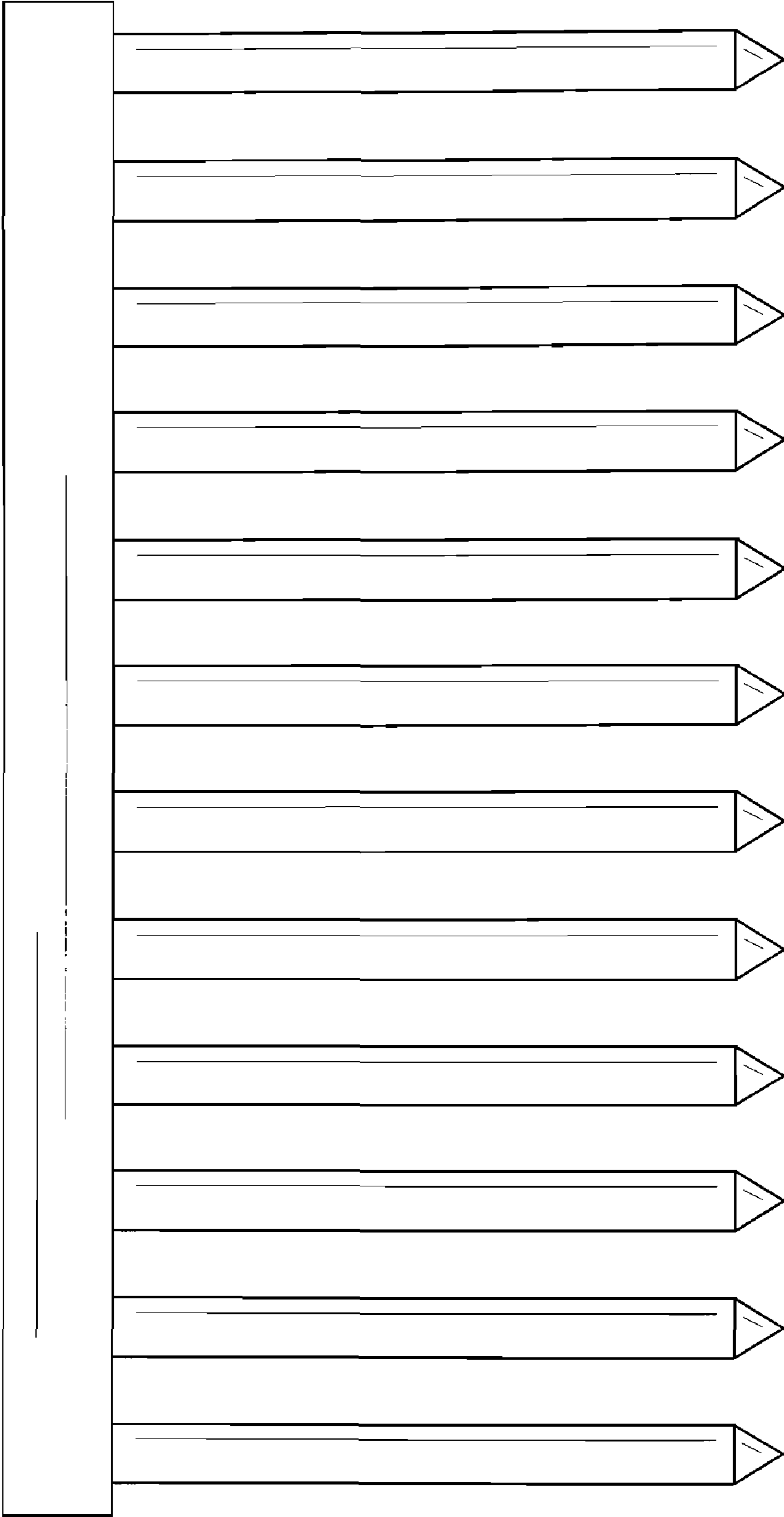


FIG. 1

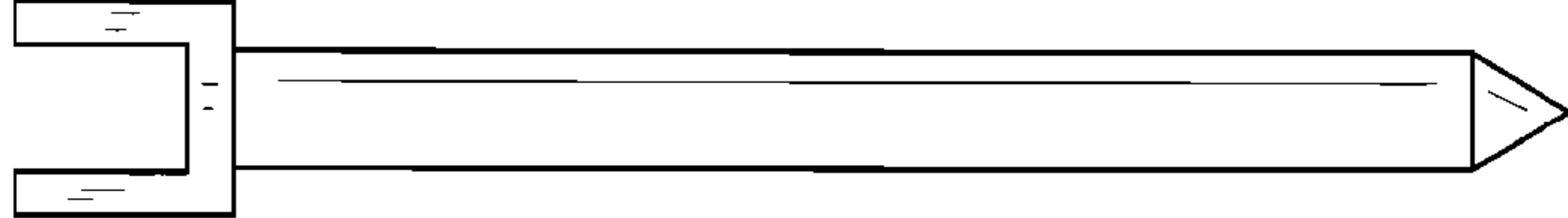


FIG. 2

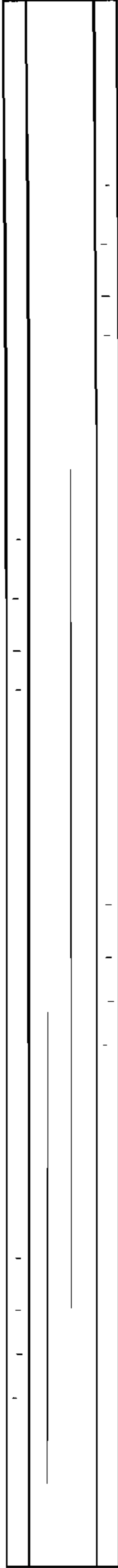


FIG. 3

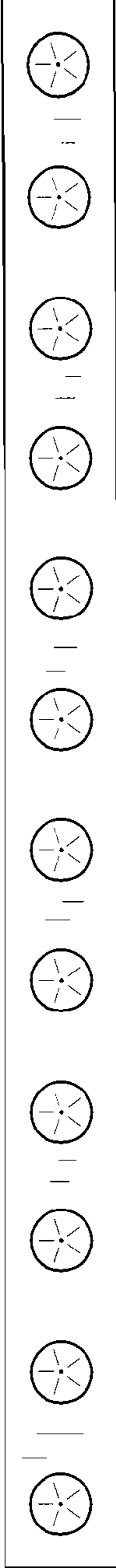


FIG. 4

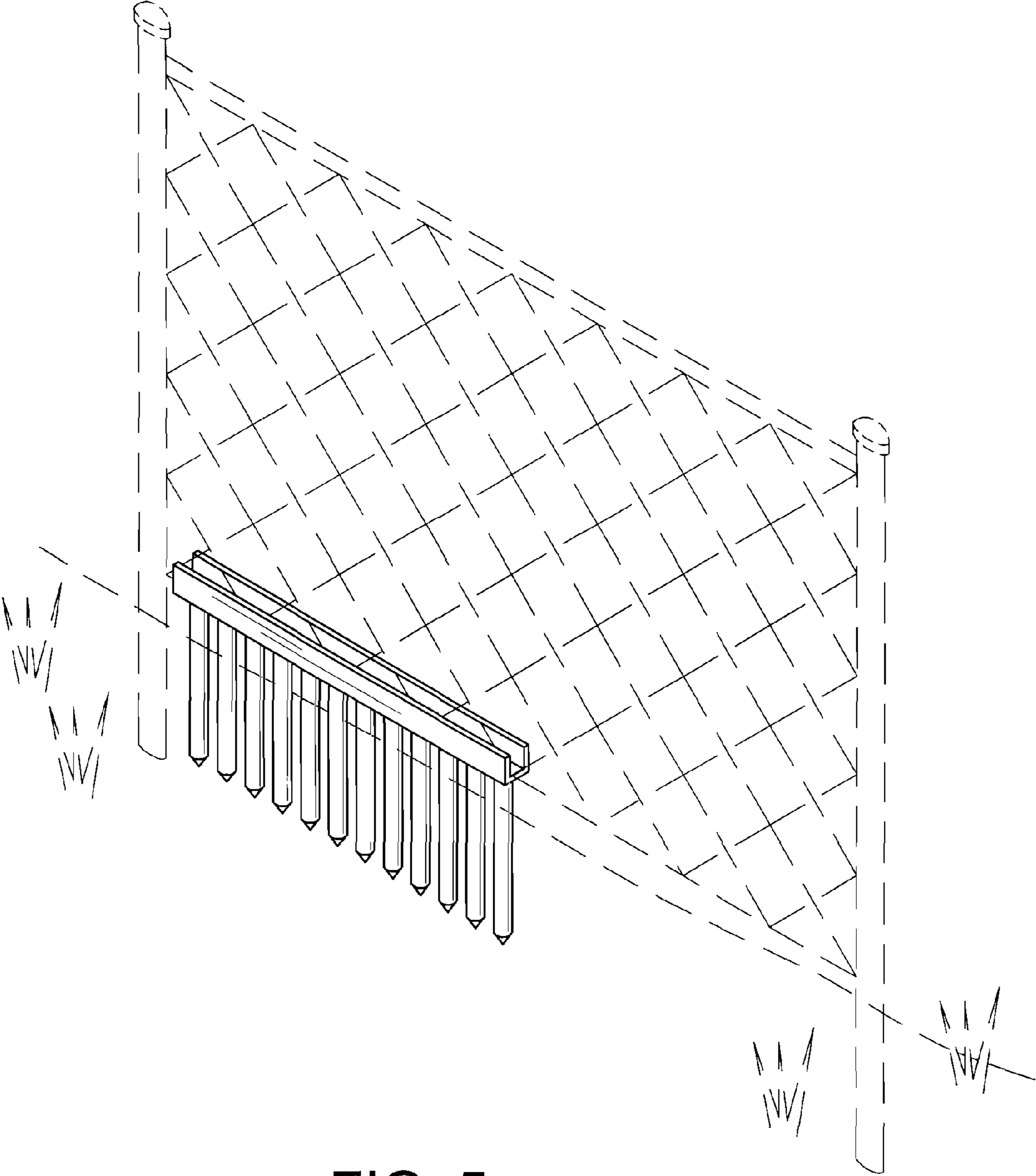


FIG. 5