



US00D598141S

(12) **United States Design Patent**
Prusmack

(10) **Patent No.:** **US D598,141 S**

(45) **Date of Patent:** **** *Aug. 11, 2009**

(54) **TELESCOPING CAMOUFLAGE POLE**

(57) **CLAIM**

(75) Inventor: **A. Jon Prusmack**, Valley Cottage, NY
(US)

The ornamental design for a telescoping camouflage pole, as shown in the drawings and as described.

(73) Assignee: **DHS Systems LLC**, Orangeburg, NY
(US)

DESCRIPTION

(*) Notice: This patent is subject to a terminal disclaimer.

(**) Term: **14 Years**

(21) Appl. No.: **29/209,763**

(22) Filed: **Jul. 20, 2004**

(51) **LOC (9) Cl.** **25-01**

(52) **U.S. Cl.** **D25/126**

(58) **Field of Classification Search** D25/126;
52/2.21, 149, 118, 632

See application file for complete search history.

FIG. 1 is a side view of the telescoping camouflage pole with segments contracted showing my new design.

FIG. 2 is an alternate side view of the telescoping camouflage pole with segments contracted showing my new design.

FIG. 3 is an alternate side view of the telescoping camouflage pole with segments contracted showing my new design.

FIG. 4 an alternate side view of the telescoping camouflage pole with segments contracted showing my new design.

FIG. 5 is a top view of the telescoping camouflage pole showing my new design.

FIG. 6 is a bottom view of the telescoping camouflage pole showing my new design.

FIG. 7 is an isometric view of the upper portion of the telescoping camouflage pole showing my new design.

FIG. 8 is an isometric view of the telescoping camouflage pole with the segments extended showing my new design; and,

FIG. 9 is an isometric view of the telescoping camouflage pole with the segments contracted showing my new design.

(56) **References Cited**

U.S. PATENT DOCUMENTS

3,378,978 A * 4/1968 Durand 52/632

D392,397 S * 3/1998 Werber D25/126

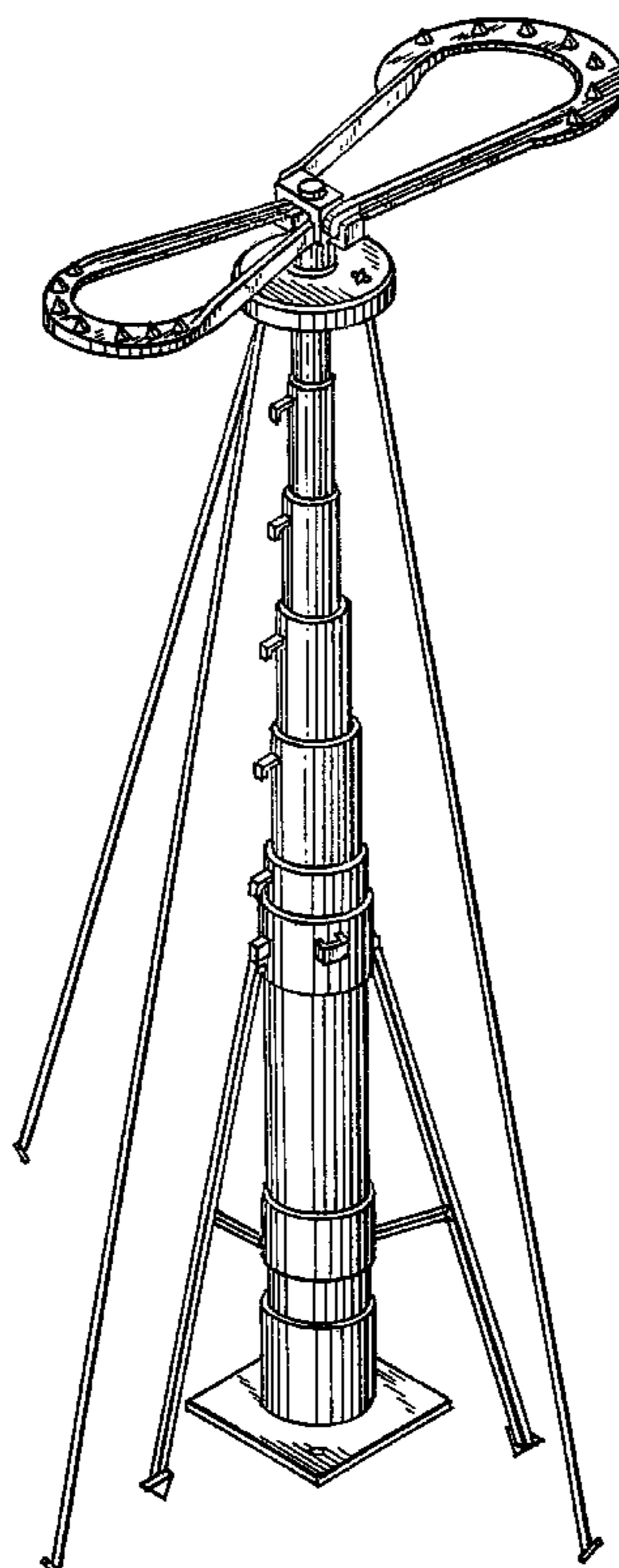
6,343,568 B1 * 2/2002 McClasky 119/428

* cited by examiner

Primary Examiner—Doris Clark

(74) *Attorney, Agent, or Firm*—Thomas A. Beck

1 Claim, 9 Drawing Sheets



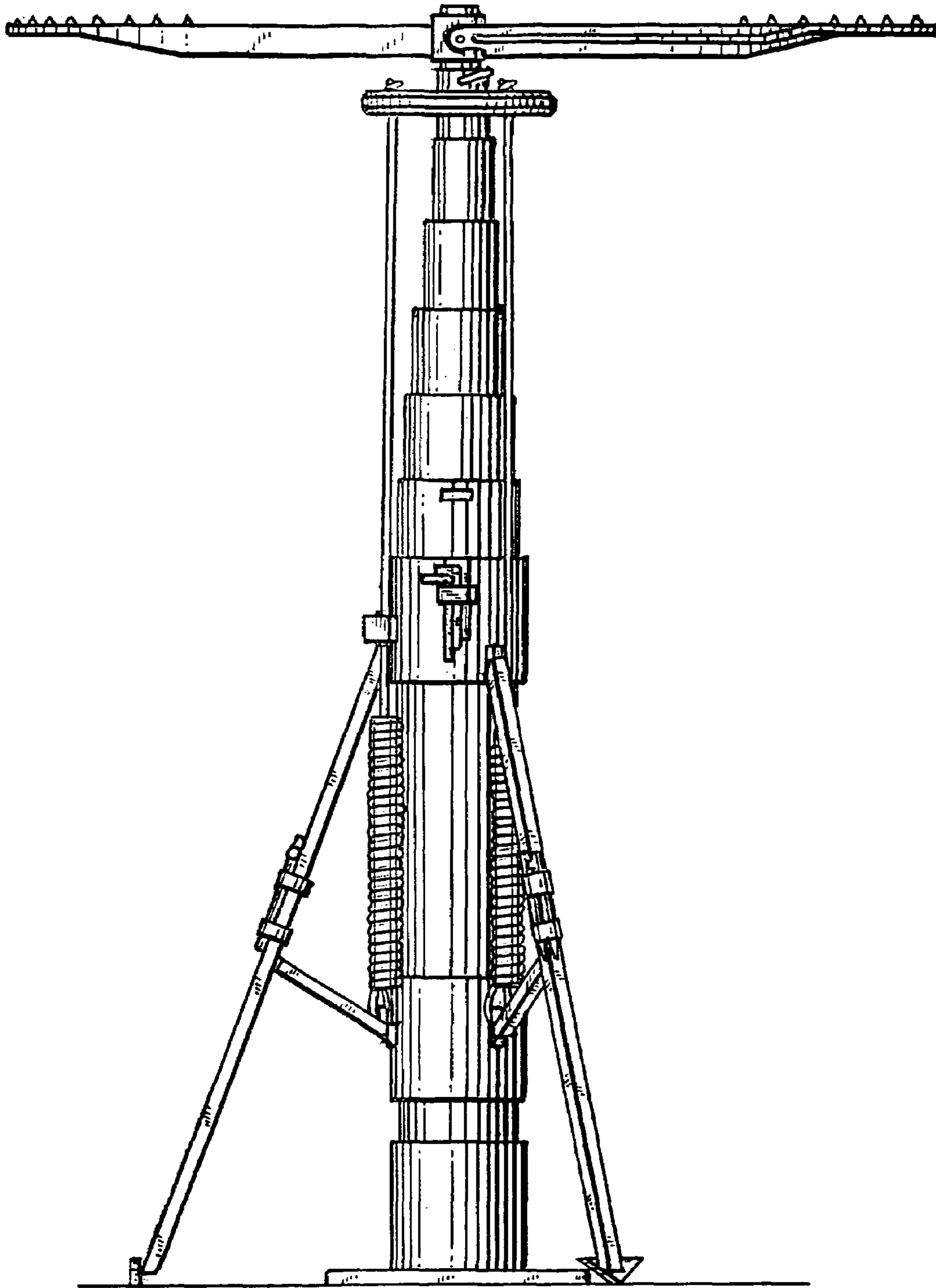
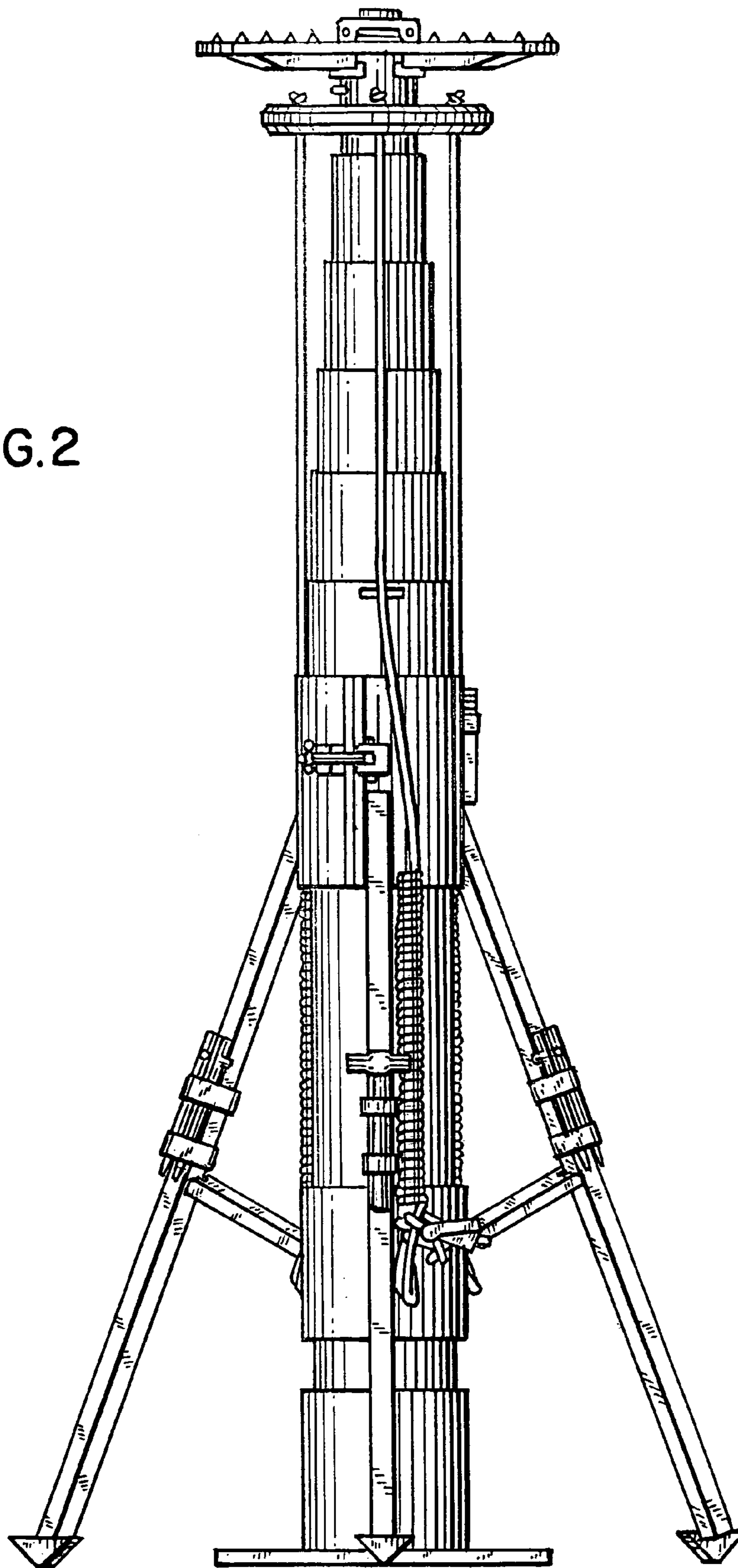


FIG. 1

FIG. 2



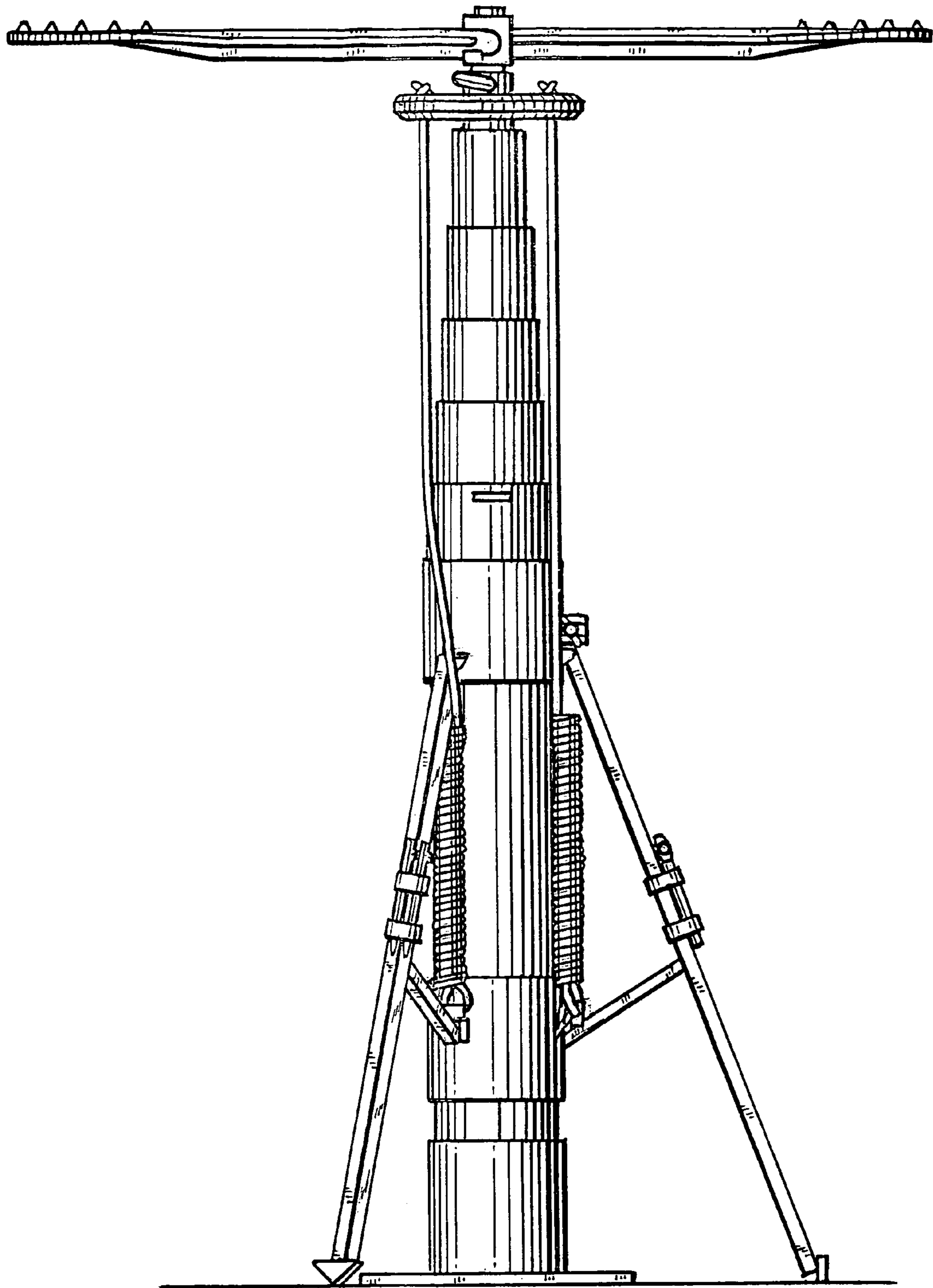
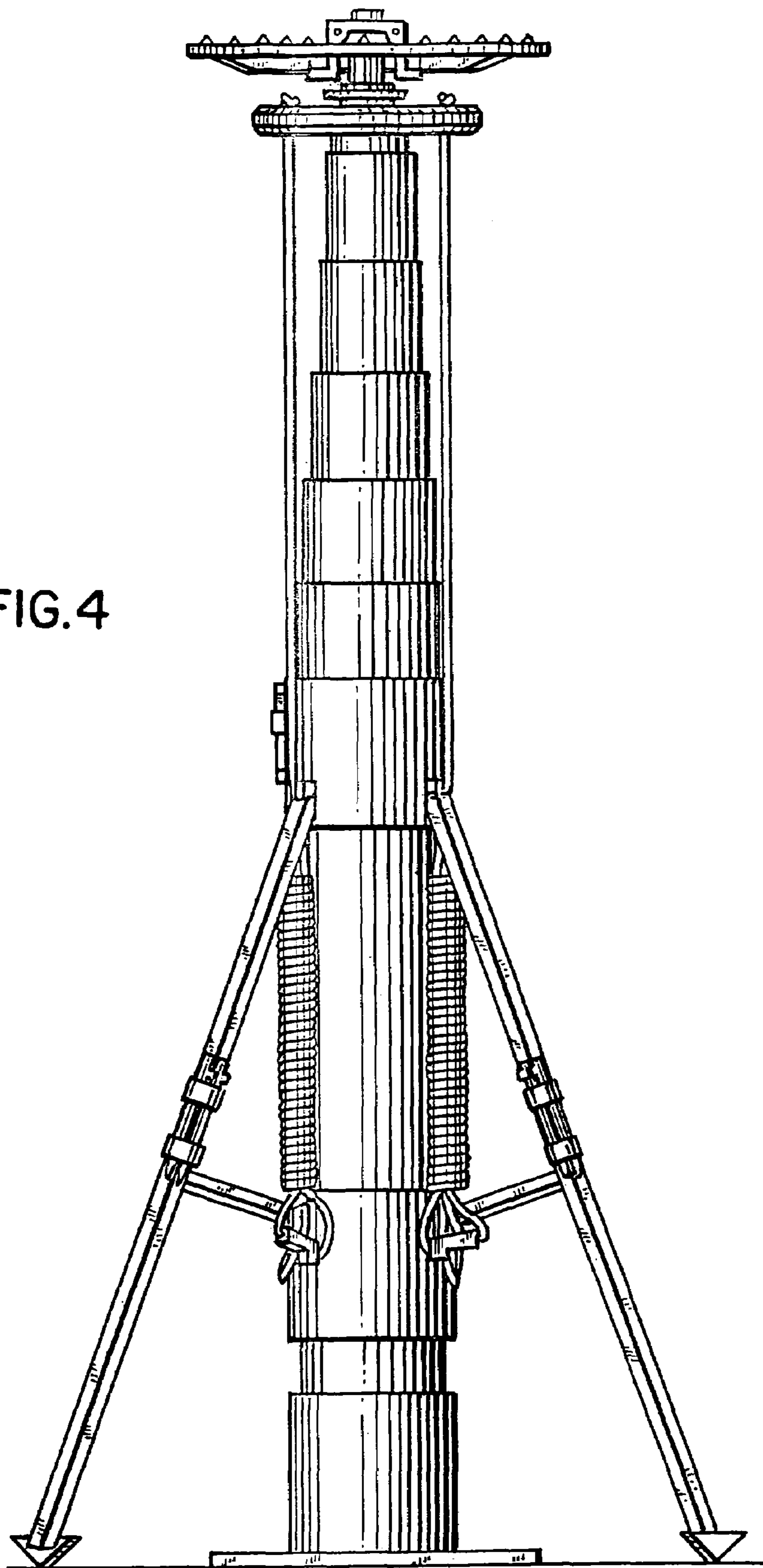


FIG.3

FIG. 4



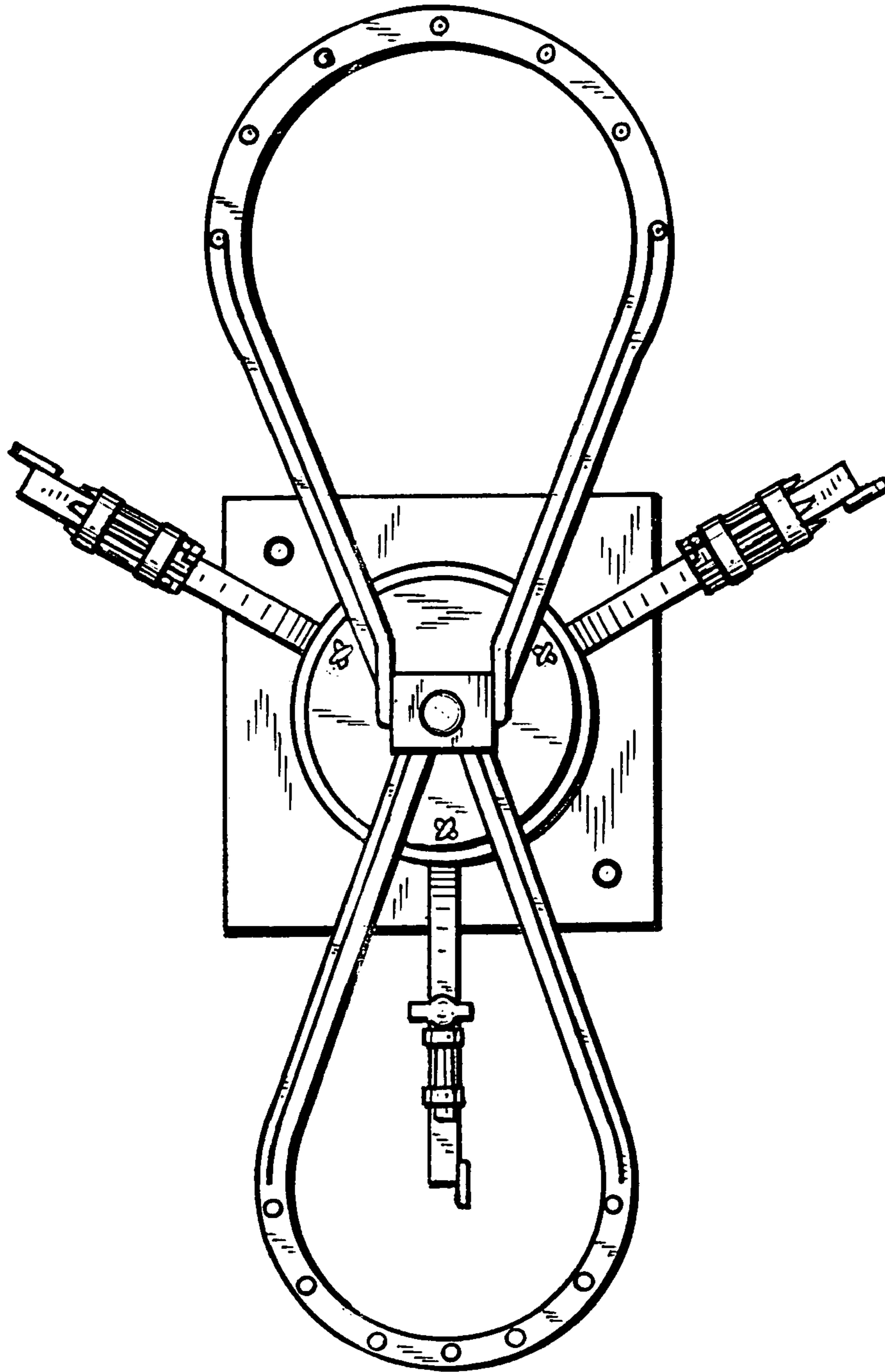


FIG.5

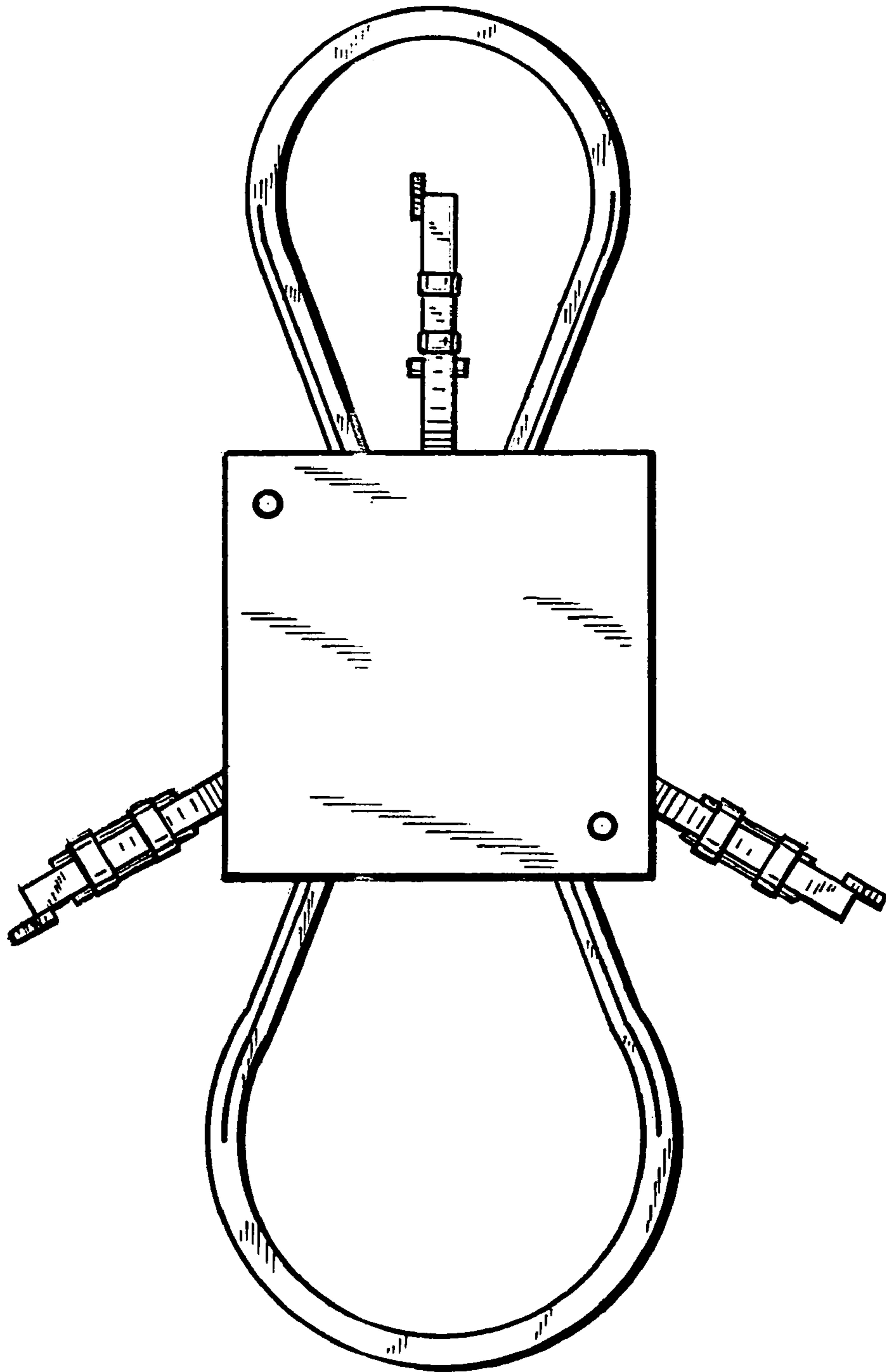


FIG.6

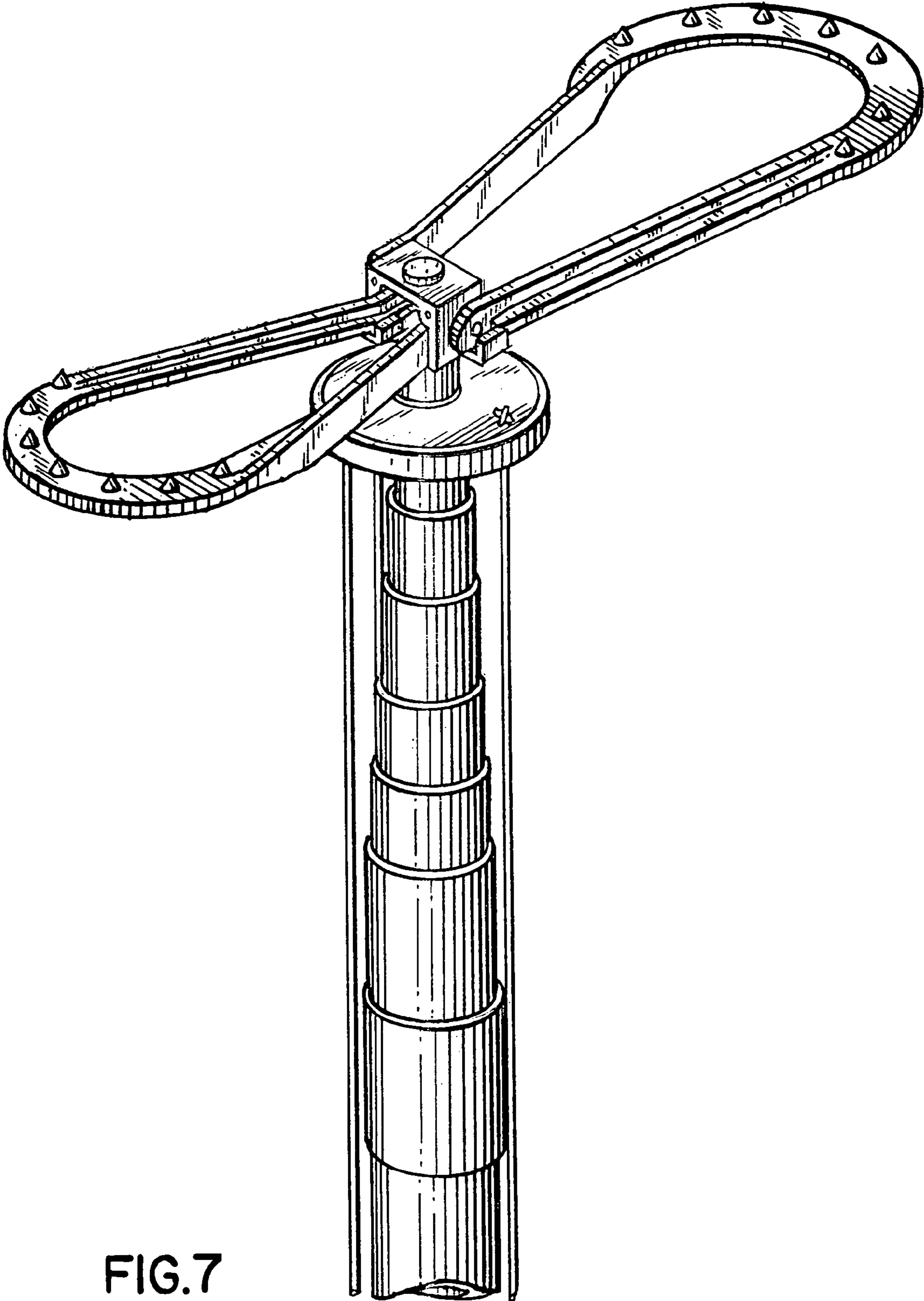
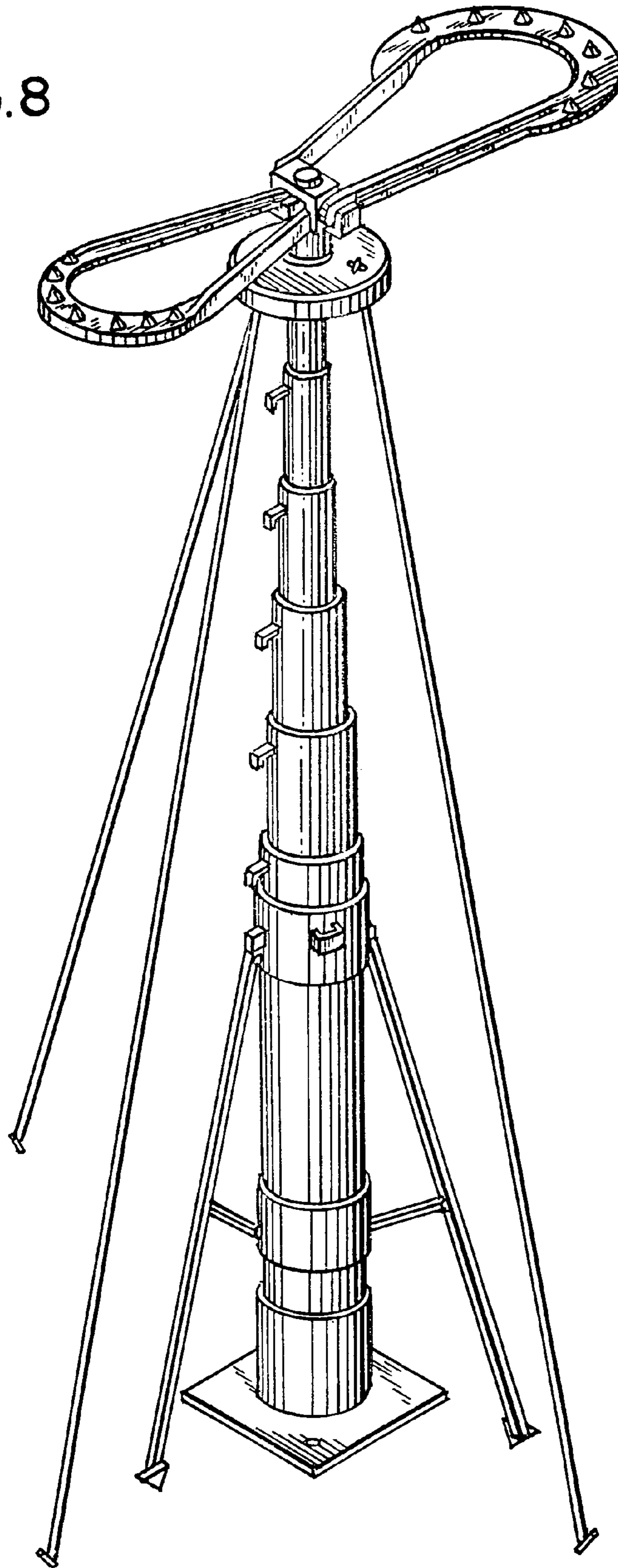


FIG.7

FIG. 8



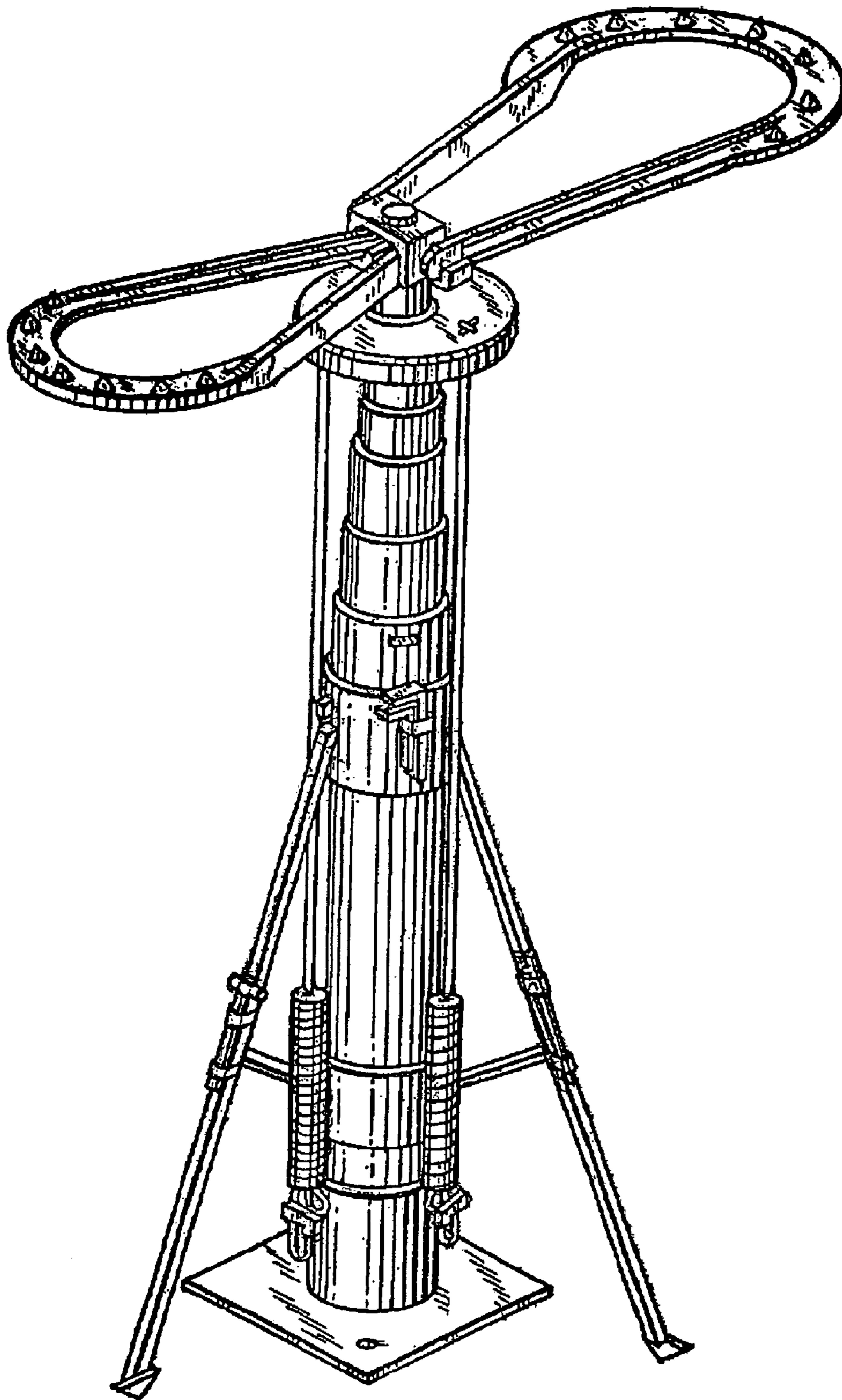


FIG. 9