

US00D598139S

(12) **United States Design Patent**
Bergmann

(10) **Patent No.:** **US D598,139 S**

(45) **Date of Patent:** **** Aug. 11, 2009**

(54) **FRAME FOR SLIDING DOOR AND WALL**

7,065,929 B2 * 6/2006 Manzella et al. 52/204.1

(75) Inventor: **Carsten Bergmann**, Bremen (DE)

* cited by examiner

(73) Assignee: **Raumplus GmbH & Co. KG**, Bremen (DE)

Primary Examiner—Doris Clark
(74) *Attorney, Agent, or Firm*—Laurence P. Colton; Smith, Gambrell & Russell

(**) Term: **14 Years**

(21) Appl. No.: **29/319,184**

(22) Filed: **Jun. 5, 2008**

(30) **Foreign Application Priority Data**

Dec. 7, 2007 (EM) 000838305-0002

(51) **LOC (9) Cl.** **25-01**

(52) **U.S. Cl.** **D25/122**

(58) **Field of Classification Search** D25/60,
D25/122, 124, 121; 52/204.1, 207, 206;
49/66, 130, 504, 408, 372

See application file for complete search history.

(56) **References Cited**

U.S. PATENT DOCUMENTS

2,120,783 A * 6/1938 Hoffman 49/408
3,383,815 A * 5/1968 Smith, Jr. 52/209
4,561,210 A * 12/1985 Kvas et al. 49/372
D407,828 S * 4/1999 Hart D25/122

(57) **CLAIM**

I claim the ornamental design for a frame for sliding door and wall, as shown and described.

DESCRIPTION

FIG. 1 is top view of a frame for sliding door and wall showing my new design, the bottom view being identical thereto;

FIG. 2 is a front perspective view thereof;

FIG. 3 is a rear perspective view thereof;

FIG. 4 is a front elevation view thereof;

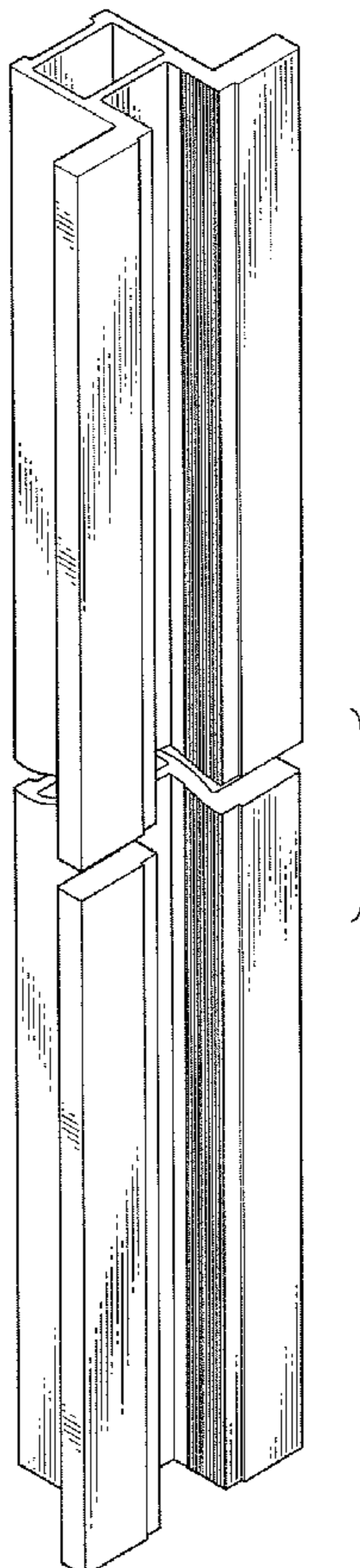
FIG. 5 is a rear elevation view thereof;

FIG. 6 is a side elevation view thereof; and,

FIG. 7 is an opposite side elevation view thereof.

The claimed design is broken in the center to indicate indeterminate length.

1 Claim, 5 Drawing Sheets



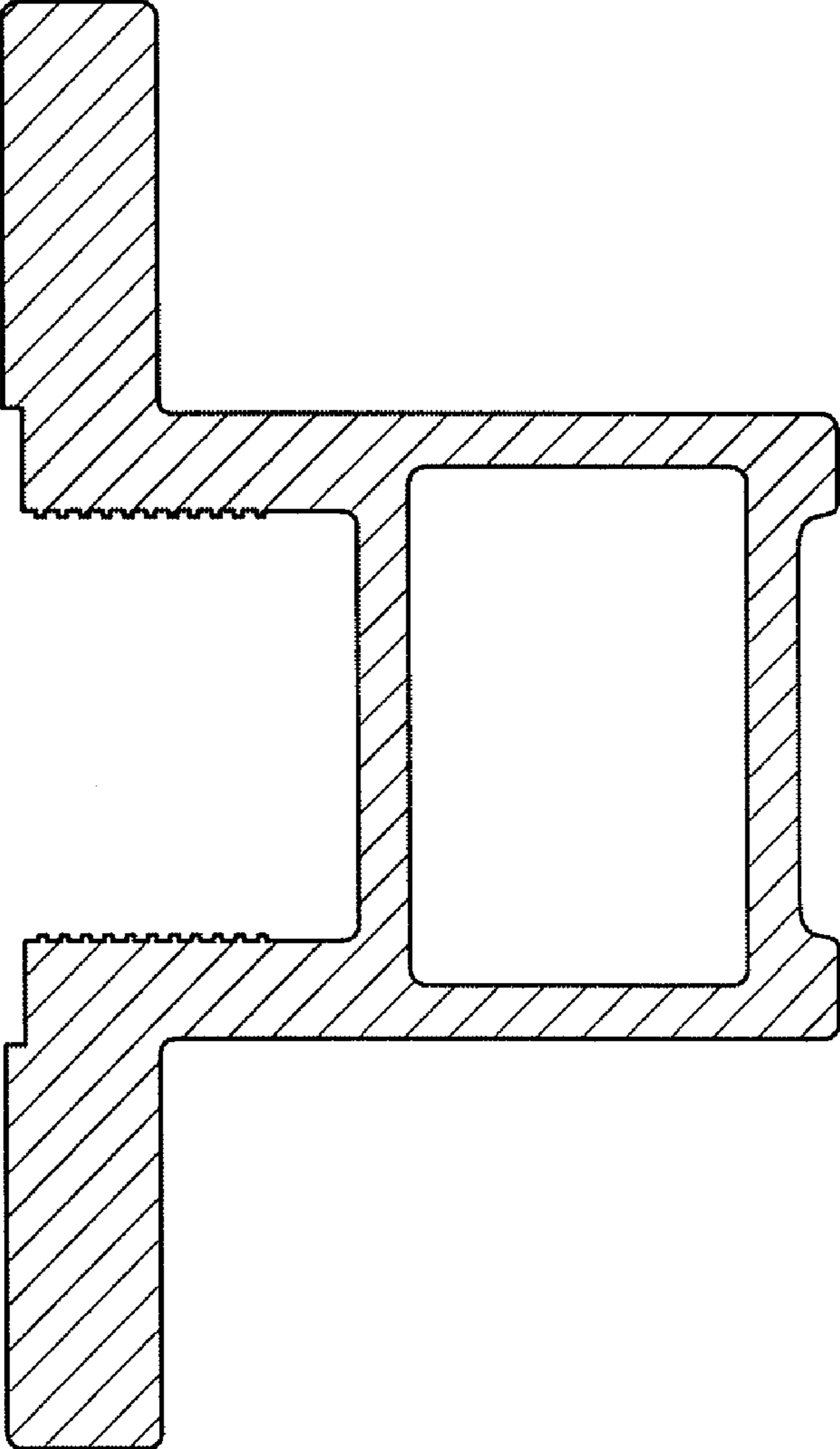


FIG. 1

FIG. 2

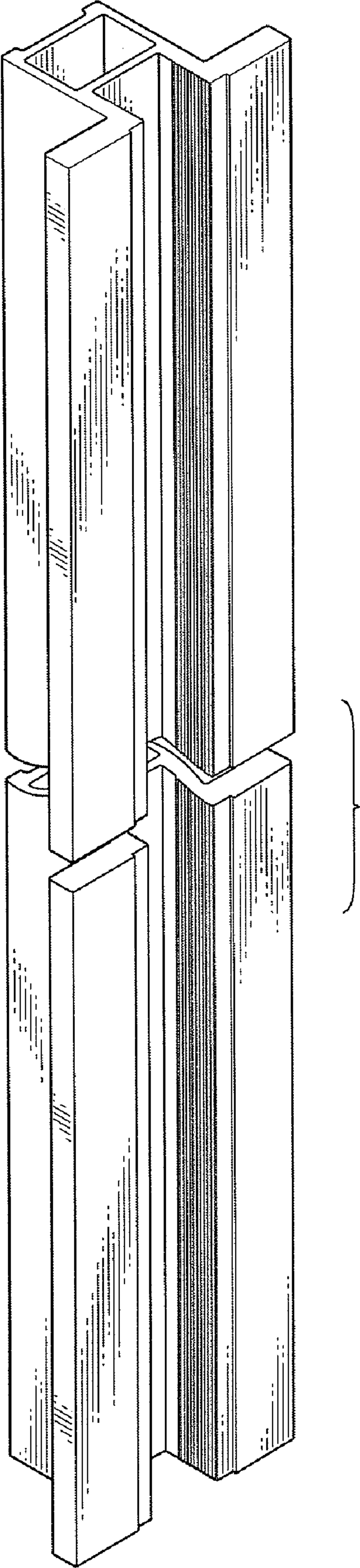
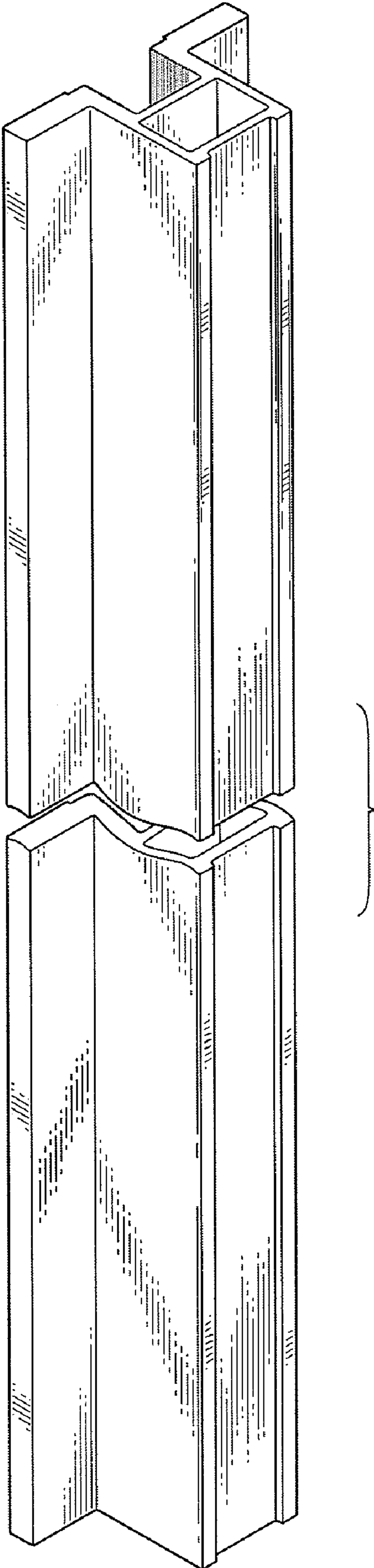


FIG. 3



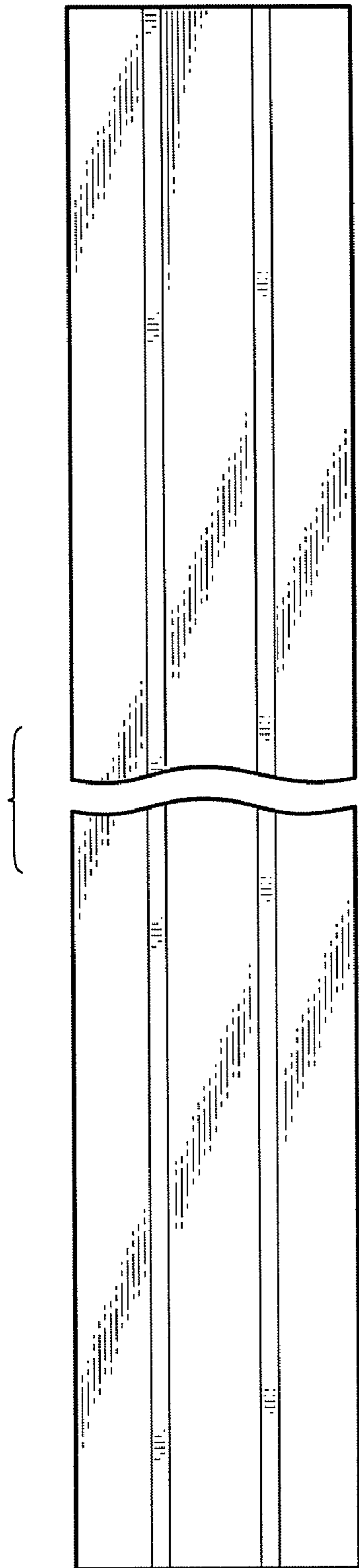


FIG. 4

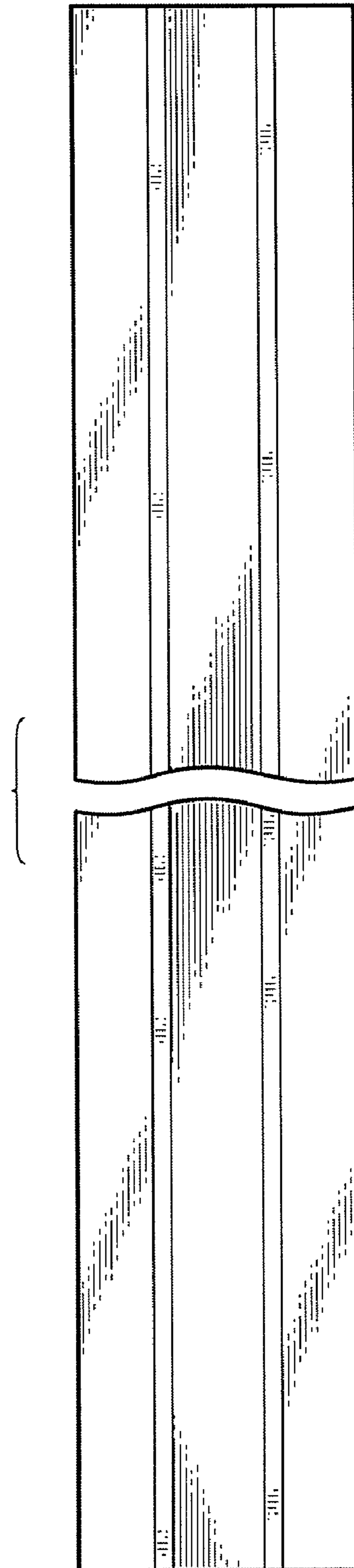


FIG. 5

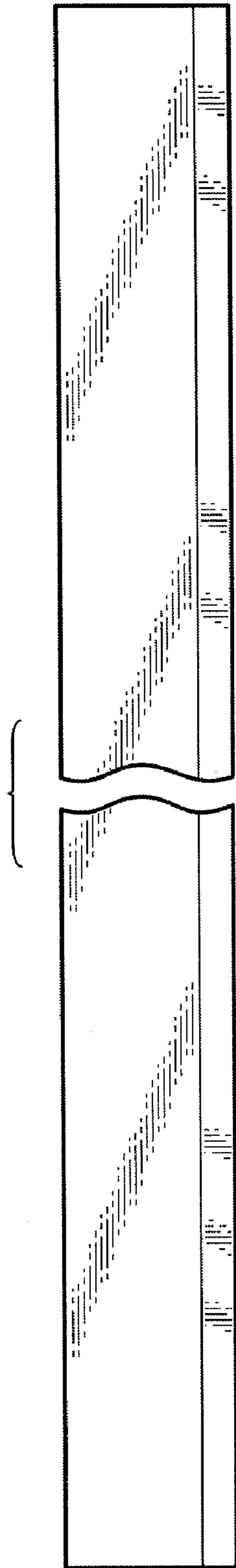


FIG. 6

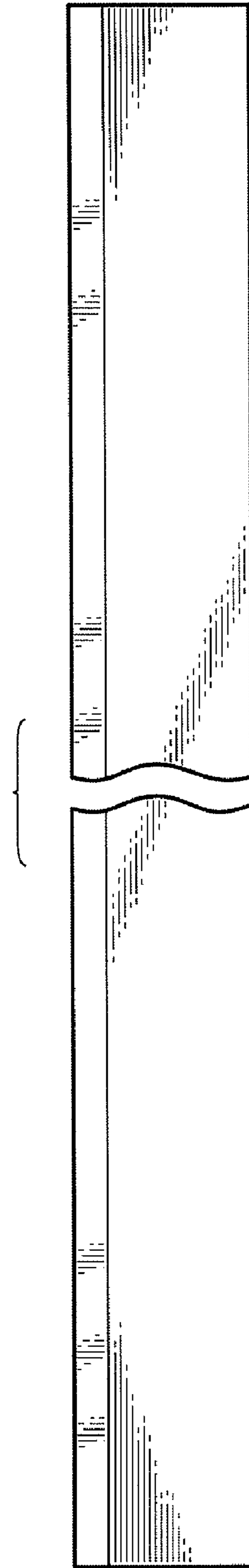


FIG. 7