



US00D598132S

(12) **United States Design Patent**  
**Hamelin**

(10) **Patent No.:** **US D598,132 S**

(45) **Date of Patent:** **\*\* Aug. 11, 2009**

(54) **AQUATIC STRUCTURE**

(76) **Inventor:** **Stephen Hamelin**, 191,  
Sydney-Cunningham, Beaconsfield  
(Québec) (CA) H9W 6E3

(\*\*) **Term:** **14 Years**

(21) **Appl. No.:** **29/330,099**

(22) **Filed:** **Dec. 29, 2008**

(51) **LOC (9) Cl.** ..... **25-03**

(52) **U.S. Cl.** ..... **D25/2**

(58) **Field of Classification Search** ..... D25/1,  
D25/2, 20; D32/1, 25, 15, 21; 210/169,  
210/416.2; 15/1.7

See application file for complete search history.

(56) **References Cited**

**U.S. PATENT DOCUMENTS**

D152,843	S	*	2/1949	Wagner	.....	D32/50
D185,727	S	*	7/1959	Yemen et al.	.....	D32/50
4,749,478	A	*	6/1988	Brooks	.....	210/167.17
D309,965	S	*	8/1990	Brooks	.....	D32/25
D374,750	S	*	10/1996	Vanderhoef et al.	.....	D32/50
5,596,787	A	*	1/1997	Stevens et al.	.....	15/220.1
D386,907	S	*	12/1997	Rittenbaum	.....	D4/199
D460,232	S	*	7/2002	Weihrauch	.....	D32/50
D514,761	S	*	2/2006	Seregni et al.	.....	D32/40

D528,113	S	*	9/2006	Sun et al.	.....	D14/349
D544,667	S	*	6/2007	Nelson et al.	.....	D32/50
D549,415	S	*	8/2007	Trotter et al.	.....	D32/50
D552,814	S	*	10/2007	Munro et al.	.....	D32/40
D581,607	S	*	11/2008	van der Meijden et al.	...	D32/15
2005/0217698	A1	*	10/2005	Mitchell et al.	.....	134/6

\* cited by examiner

*Primary Examiner*—T. Chase Nelson  
*Assistant Examiner*—Kathleen M Sims

(57) **CLAIM**

The ornamental design for an aquatic structure, as shown.

**DESCRIPTION**

FIG. 1 is a top view of the aquatic structure showing my new design;

FIG. 2 is a right side view of the aquatic structure;

FIG. 3 is a left side view of the aquatic structure;

FIG. 4 is a bottom view of the aquatic structure;

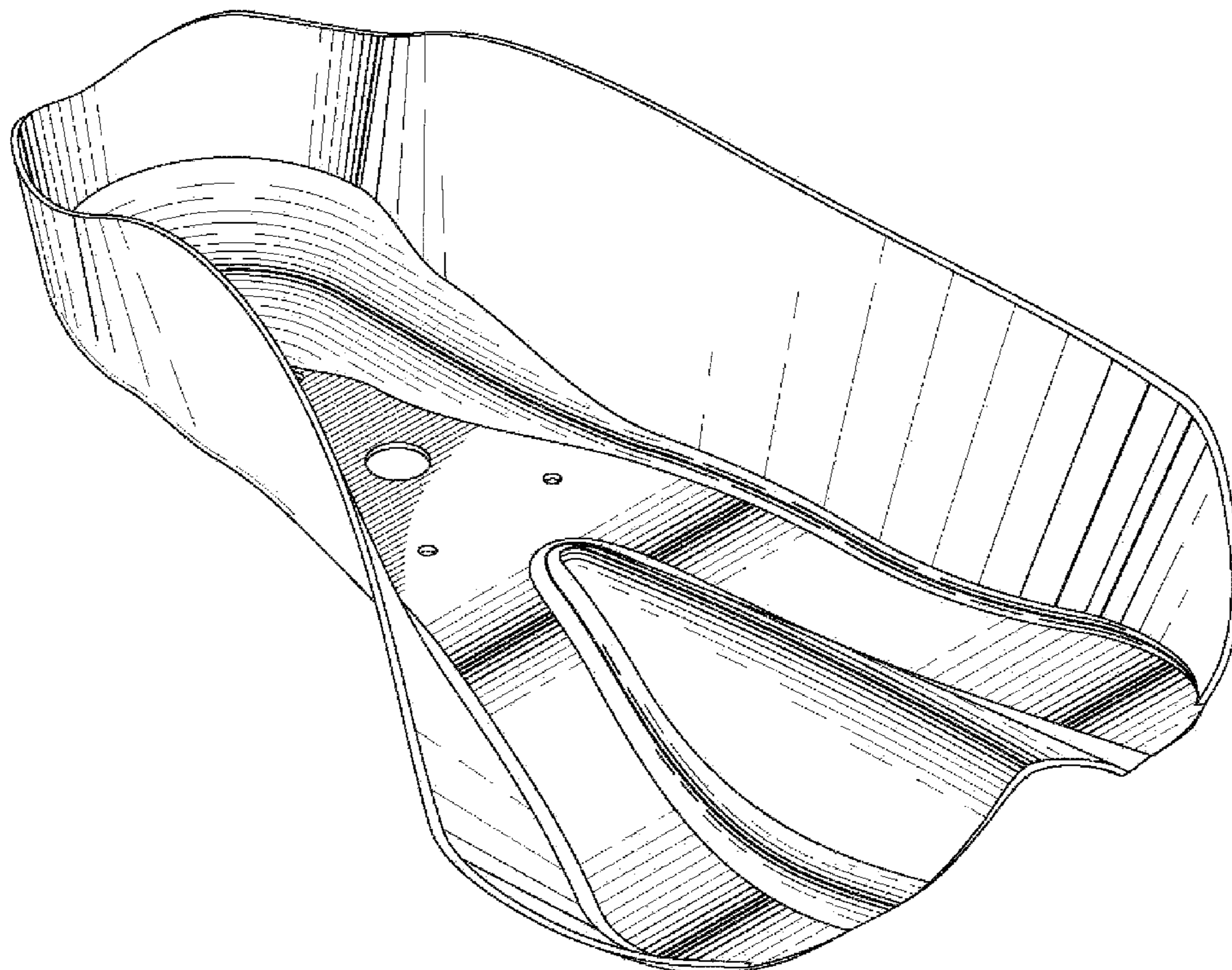
FIG. 5 is a top front perspective view of the aquatic structure;

FIG. 6 is a bottom rear perspective view of the aquatic structure;

FIG. 7 is a front view of the aquatic structure; and,

FIG. 8 is a rear view of the aquatic structure.

**1 Claim, 6 Drawing Sheets**



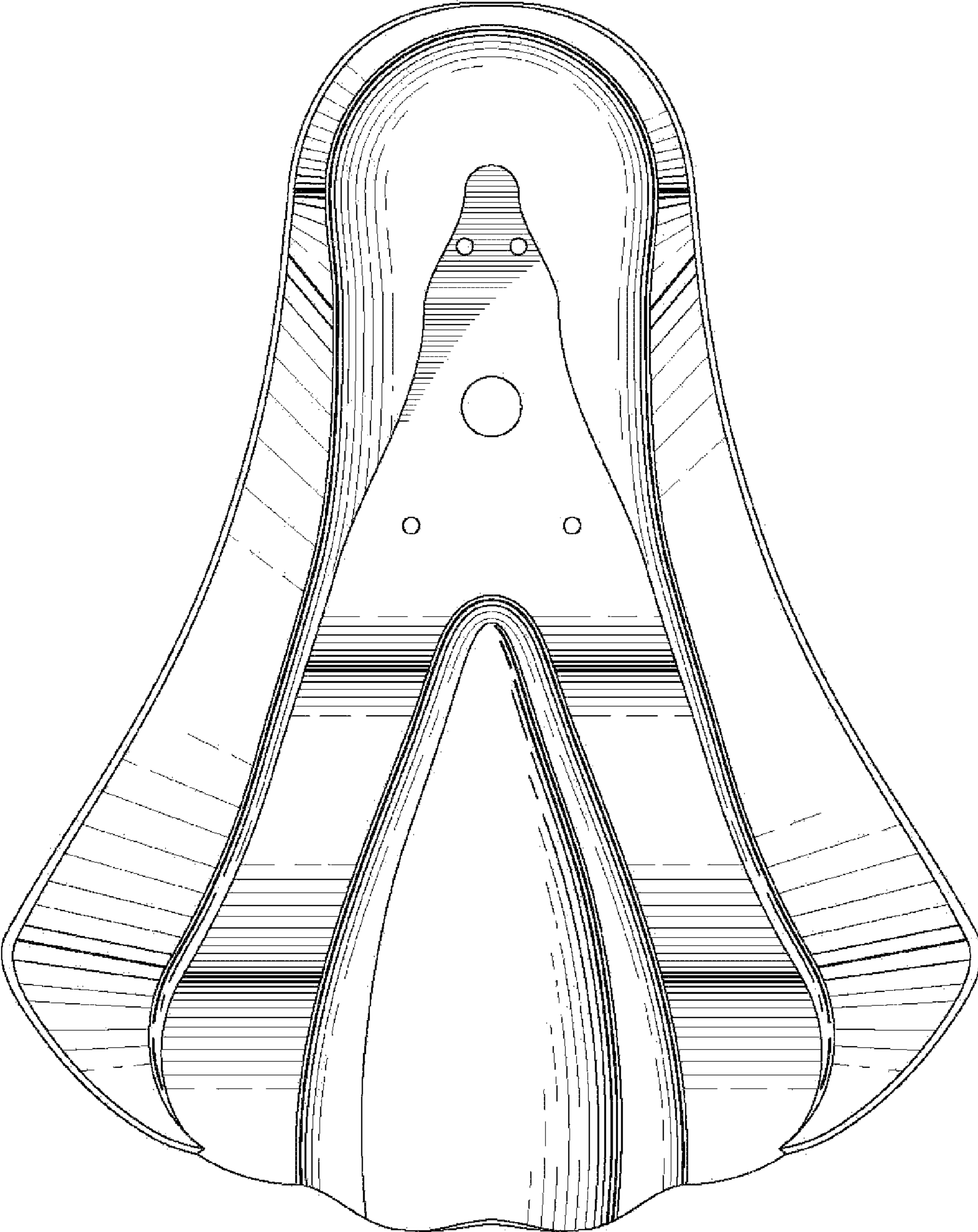


FIG. 1

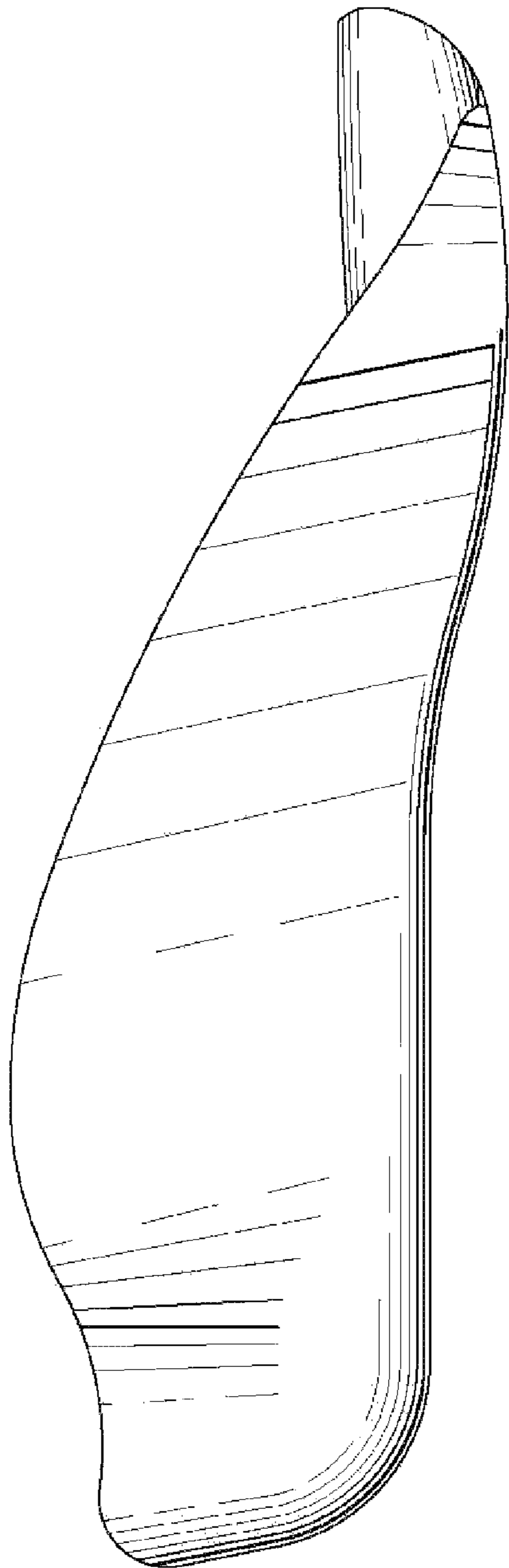


FIG. 2

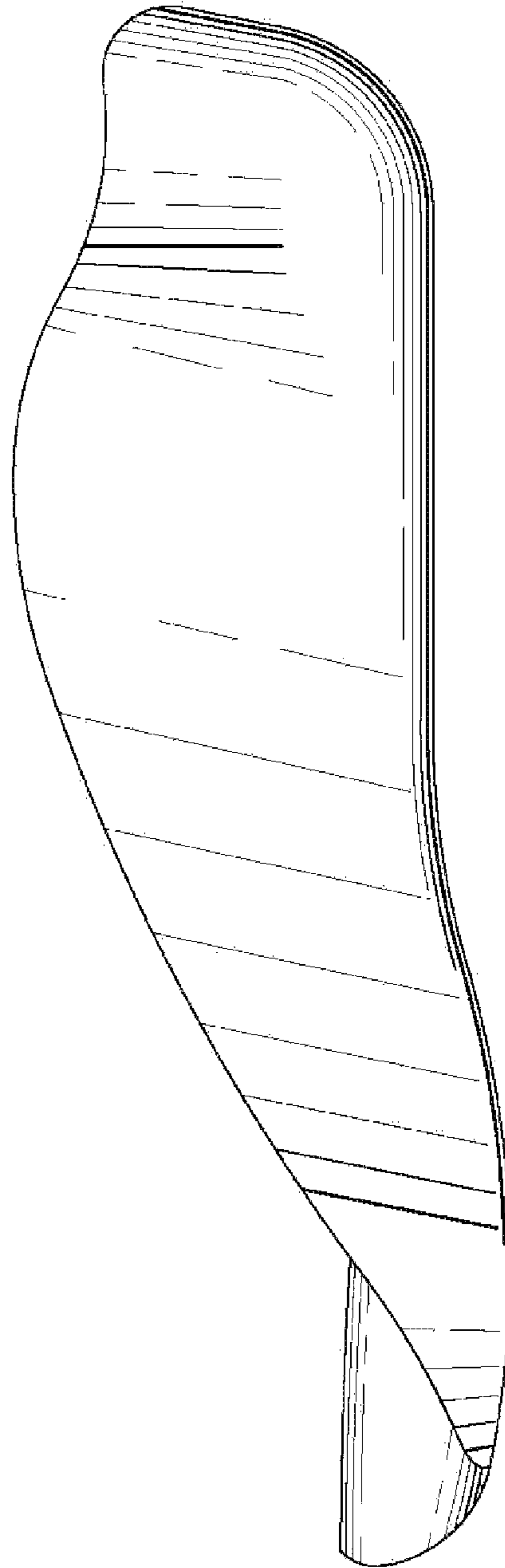


FIG. 3



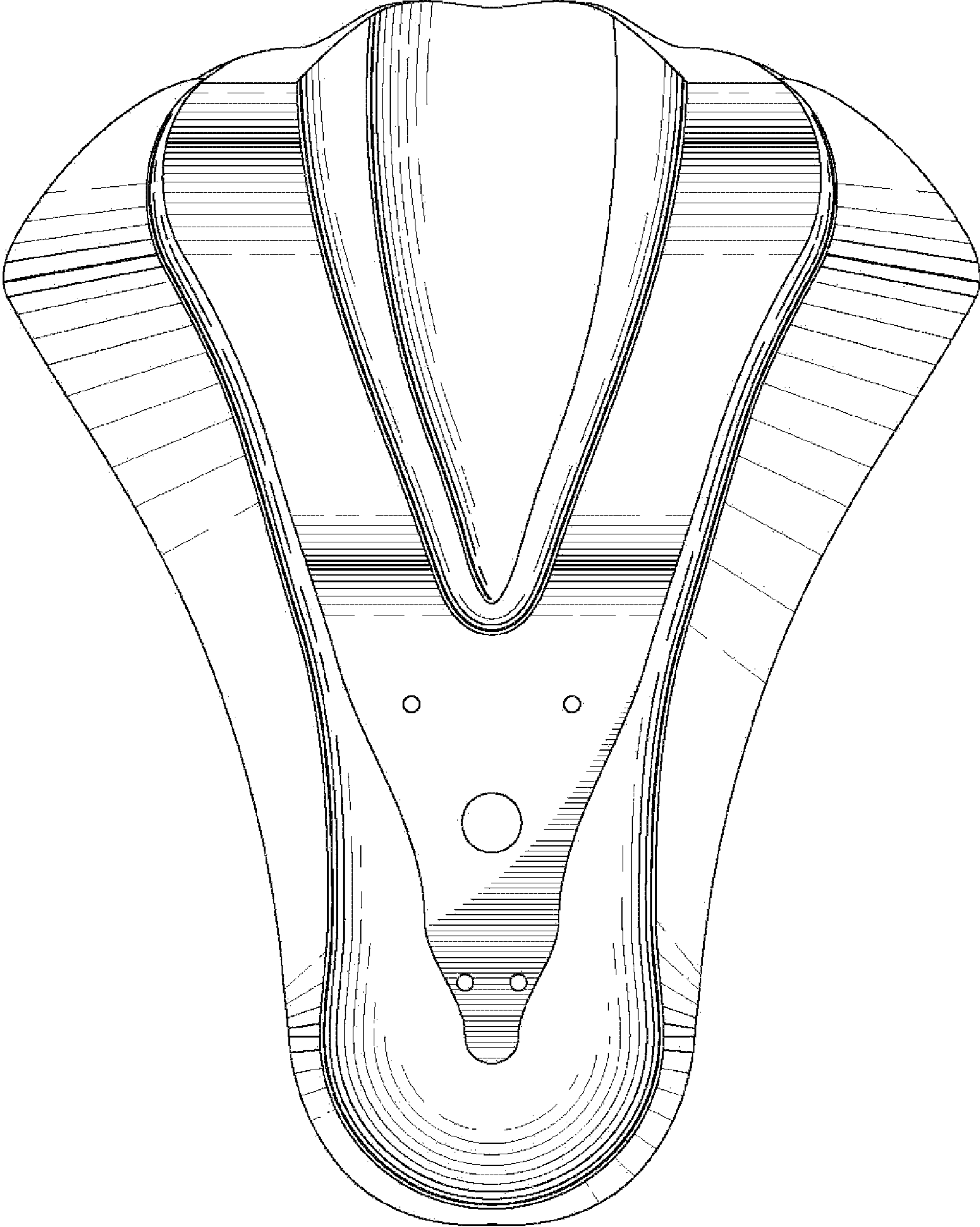


FIG. 4

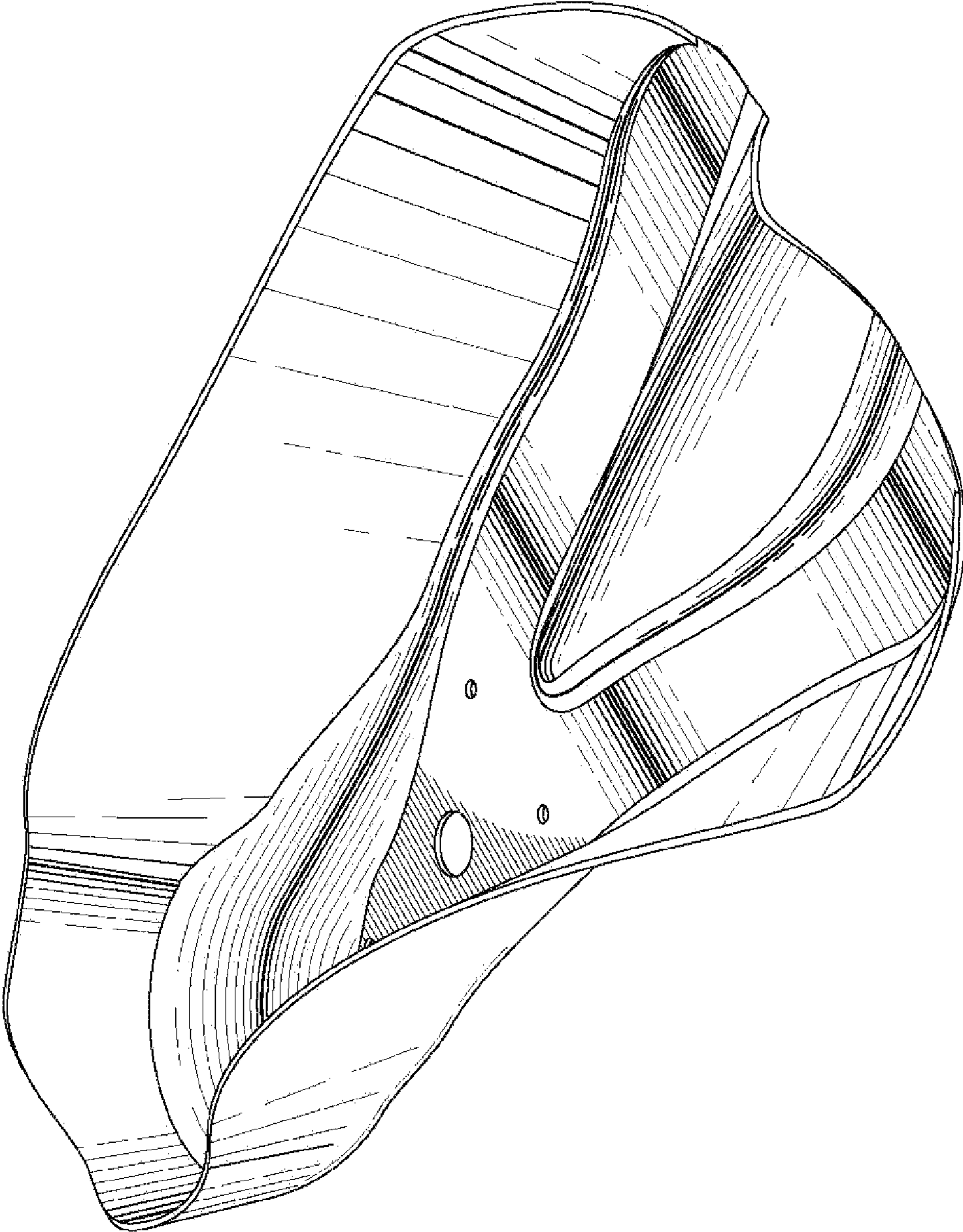


FIG. 5

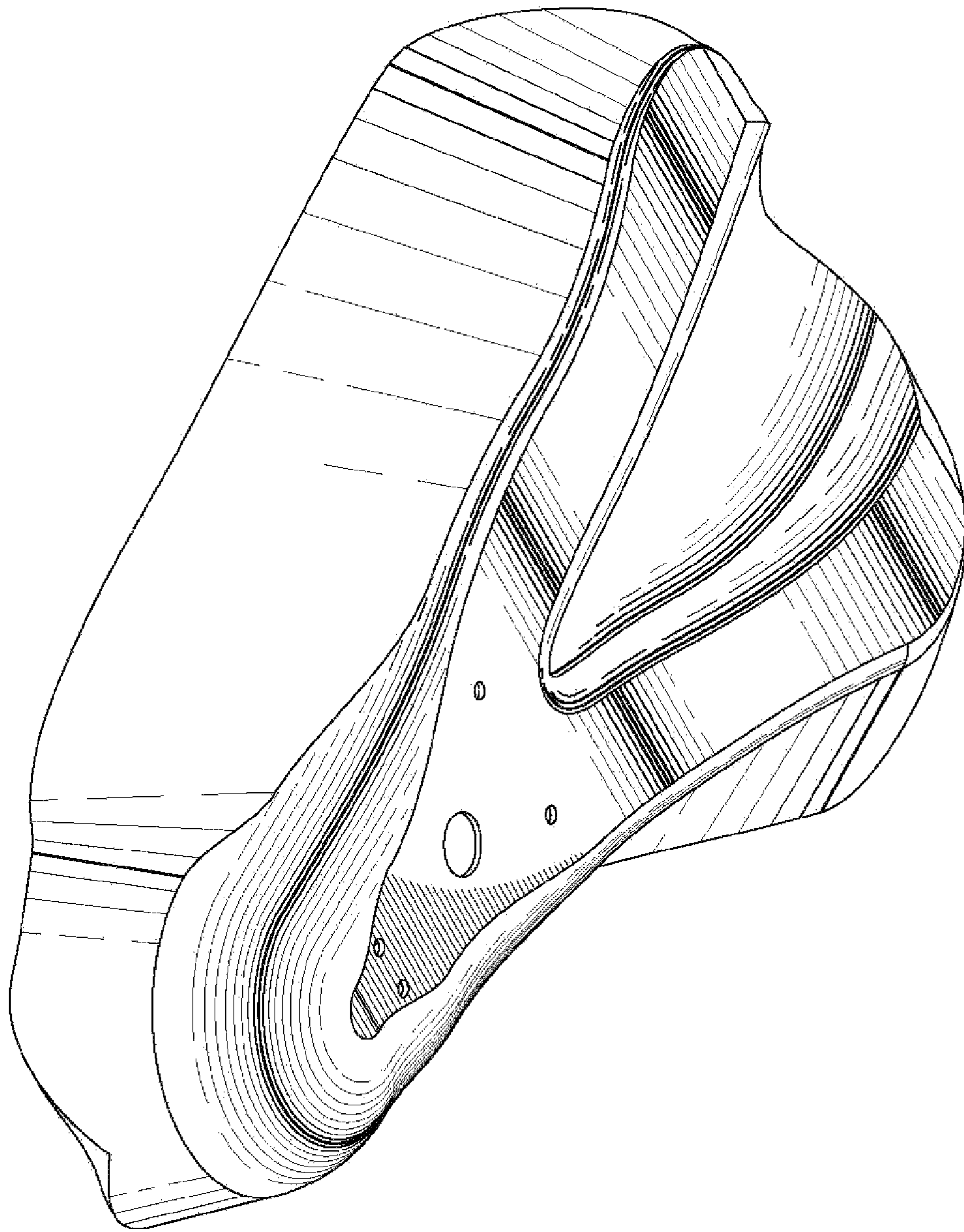


FIG. 6



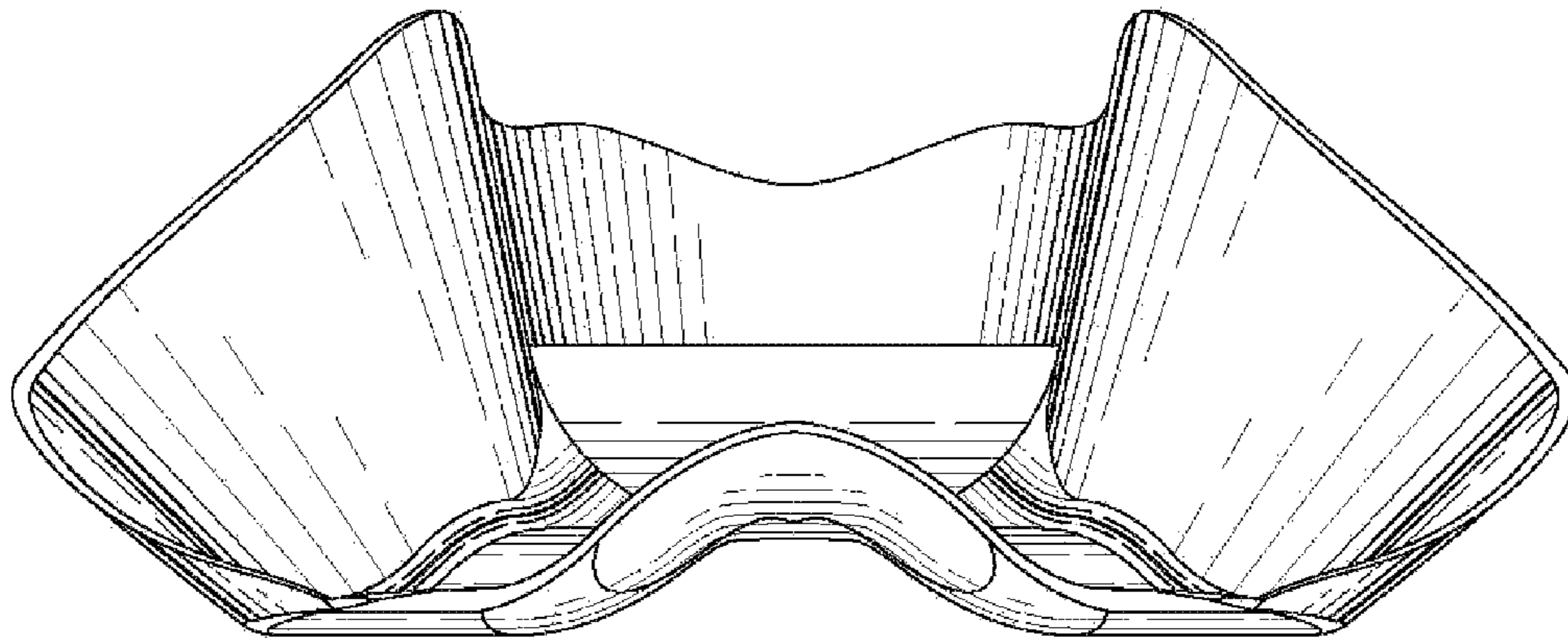


FIG. 7

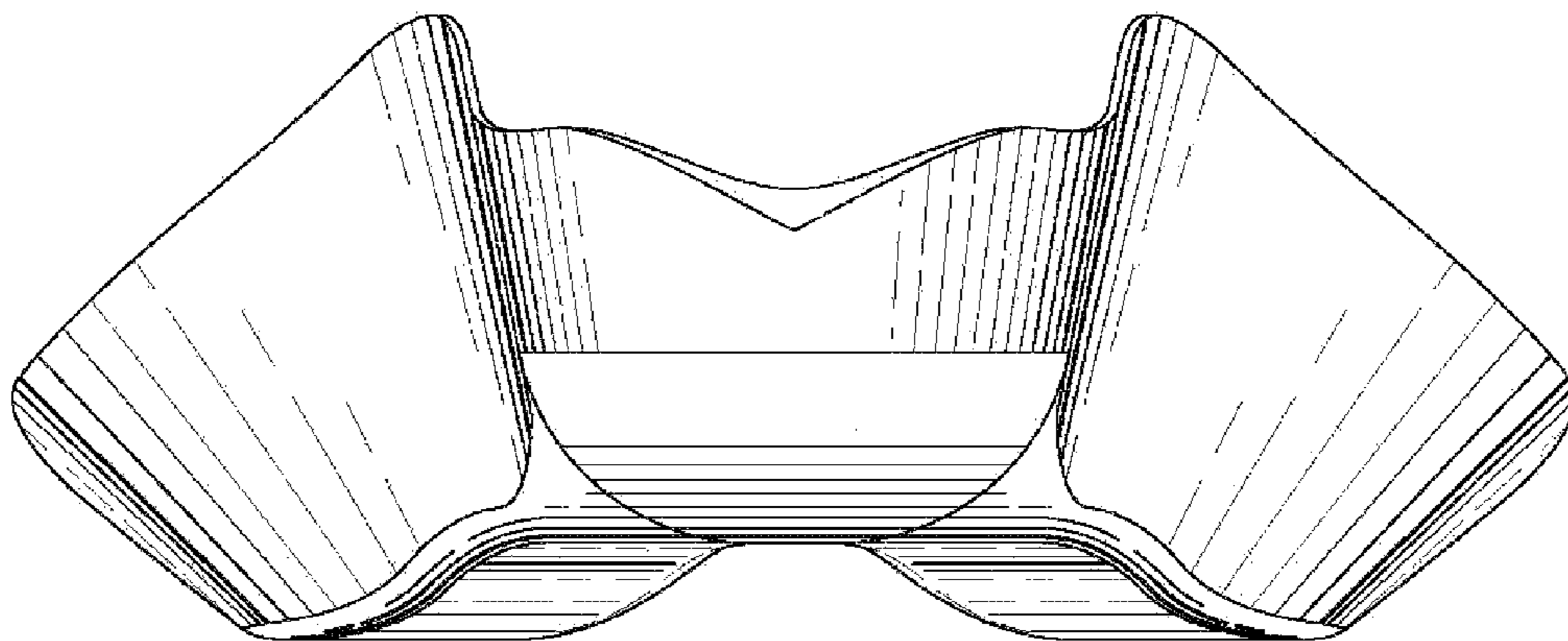


FIG. 8