

US00D598131S

(12) **United States Design Patent**  
**Hamelin**

(10) **Patent No.:** **US D598,131 S**

(45) **Date of Patent:** **\*\* Aug. 11, 2009**

(54) **AQUATIC STRUCTURE**

(76) Inventor: **Stephen Hamelin**, 191,  
Sydney-Cunningham, Beaconsfield  
(Québec (CA) H9W 6E3

(\*\*) Term: **14 Years**

(21) Appl. No.: **29/330,095**

(22) Filed: **Dec. 29, 2008**

(51) **LOC (9) Cl.** ..... **25-03**

(52) **U.S. Cl.** ..... **D25/2**

(58) **Field of Classification Search** ..... D25/1,  
D25/2, 20; D32/1, 25, 15, 21; 210/169,  
210/416.2; 15/1.7

See application file for complete search history.

(56) **References Cited**

**U.S. PATENT DOCUMENTS**

D294,963 S \* 3/1988 Alanis et al. .... D23/209  
4,856,913 A \* 8/1989 Campbell ..... 383/42

\* cited by examiner

*Primary Examiner*—T. Chase Nelson  
*Assistant Examiner*—Kathleen M Sims

(57) **CLAIM**

The ornamental design for an aquatic structure, as shown.

**DESCRIPTION**

FIG. 1 is a top view of the aquatic structure showing my new design;

FIG. 2 is a right side view of the aquatic structure;

FIG. 3 is a left side view of the aquatic structure;

FIG. 4 is a bottom view of the aquatic structure;

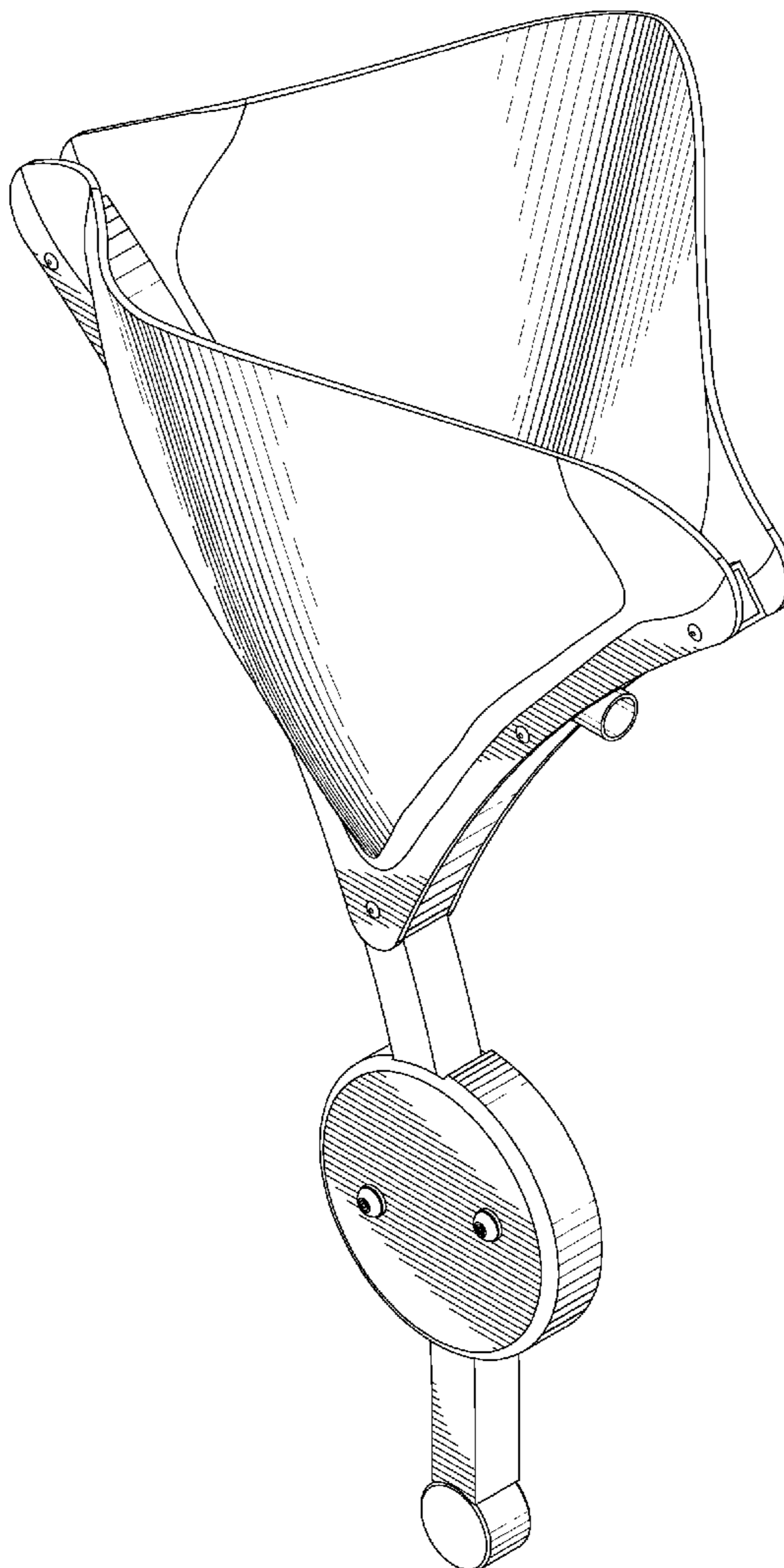
FIG. 5 is a top front perspective view of the aquatic structure;

FIG. 6 is a bottom front perspective view of the aquatic structure;

FIG. 7 is a front view of the aquatic structure; and,

FIG. 8 is a rear view of the aquatic structure.

**1 Claim, 8 Drawing Sheets**



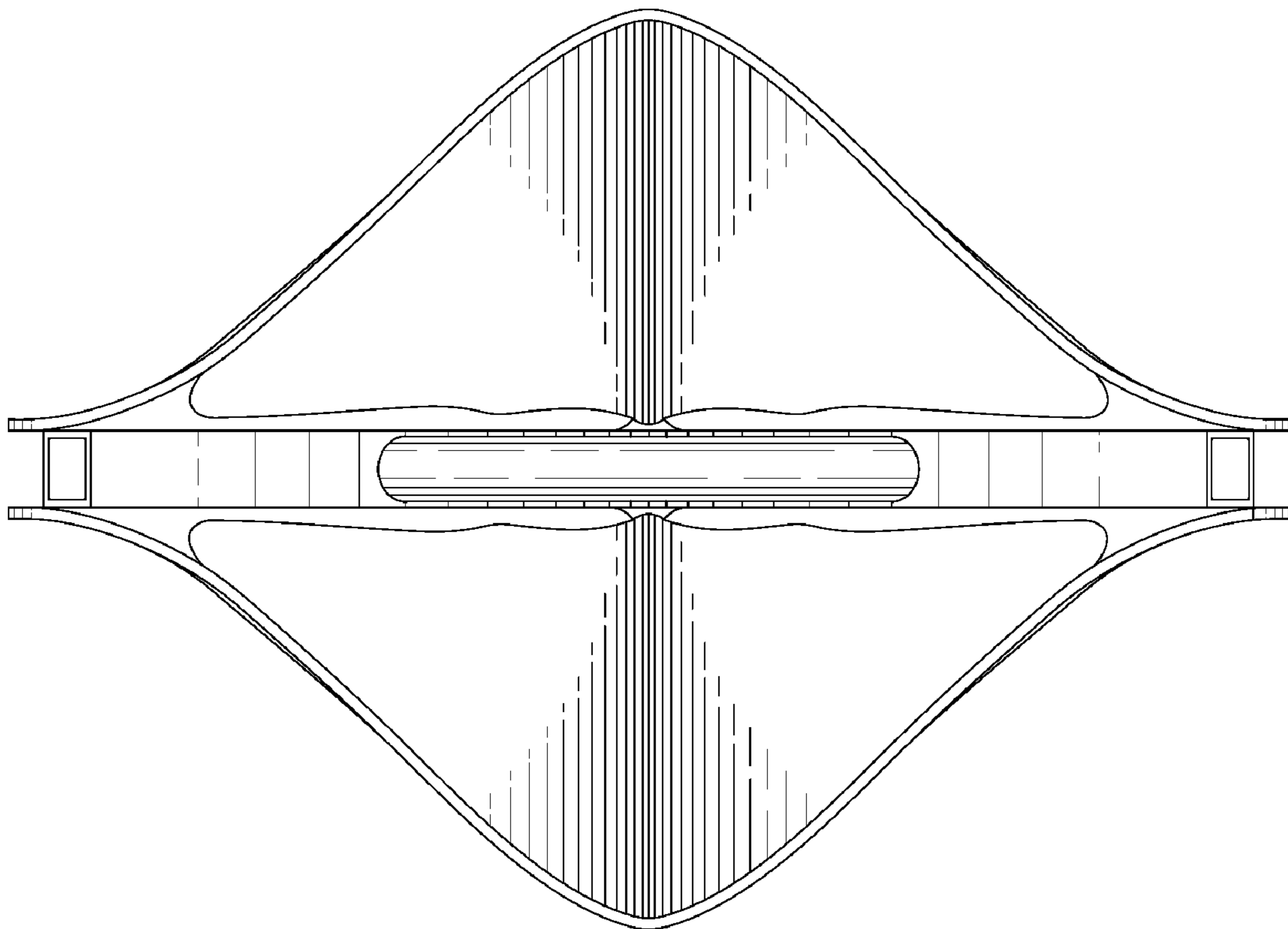


FIG. 1

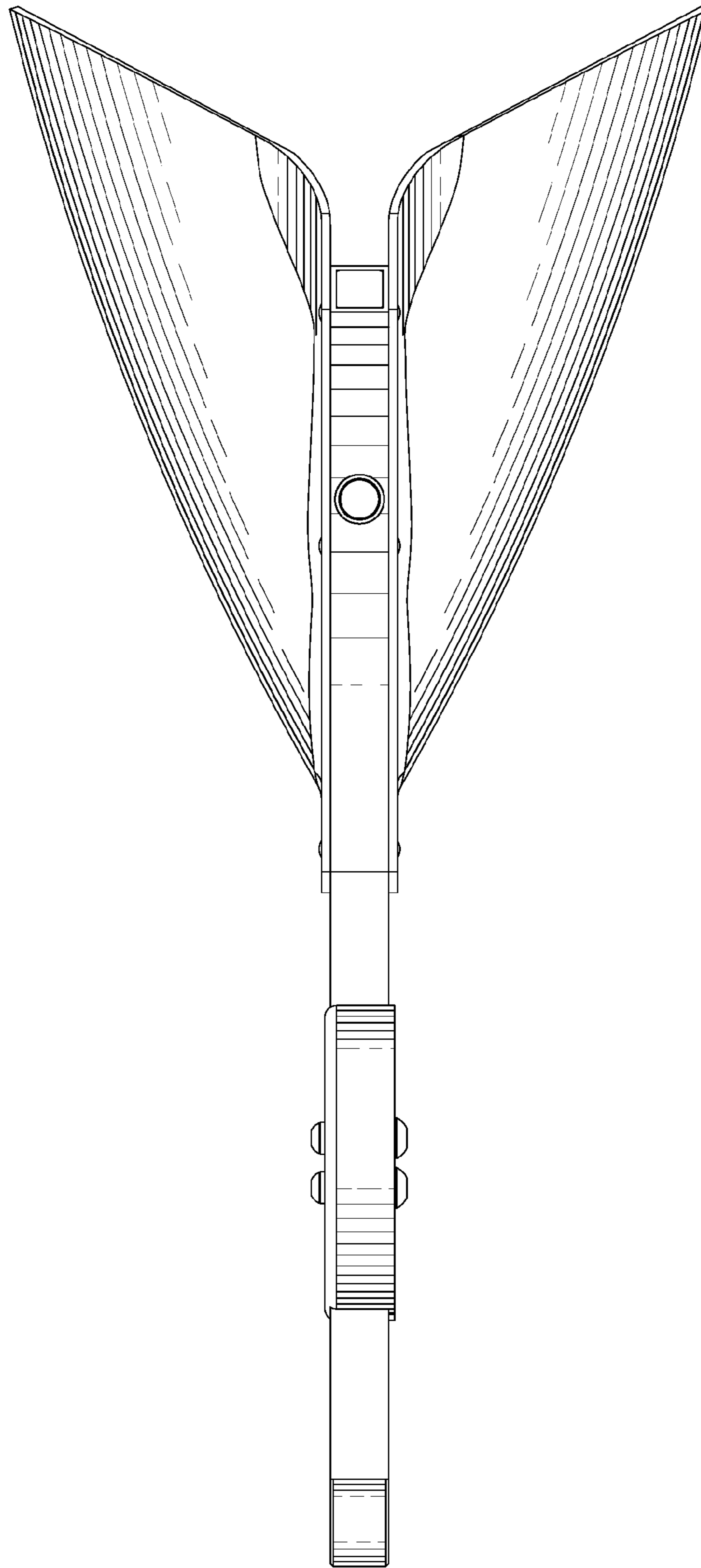


FIG. 2

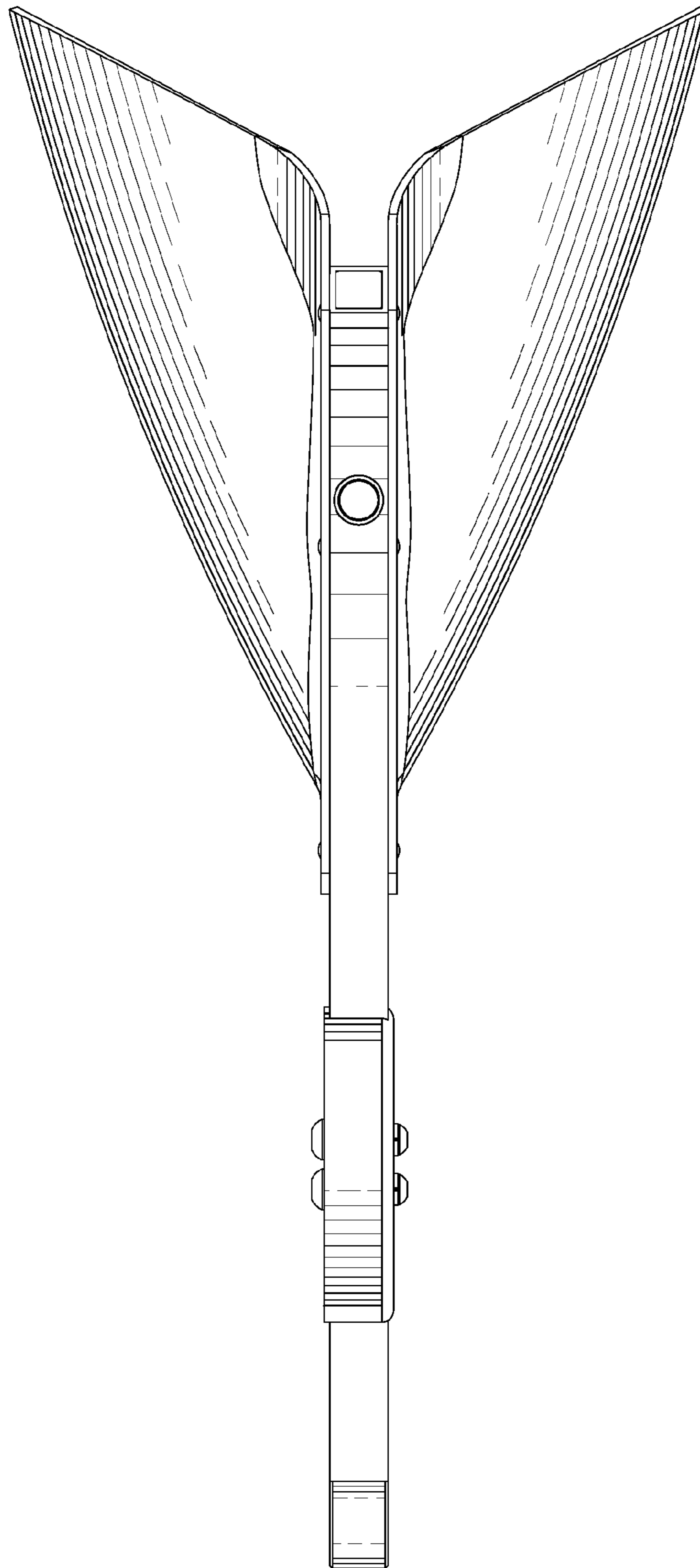


FIG. 3

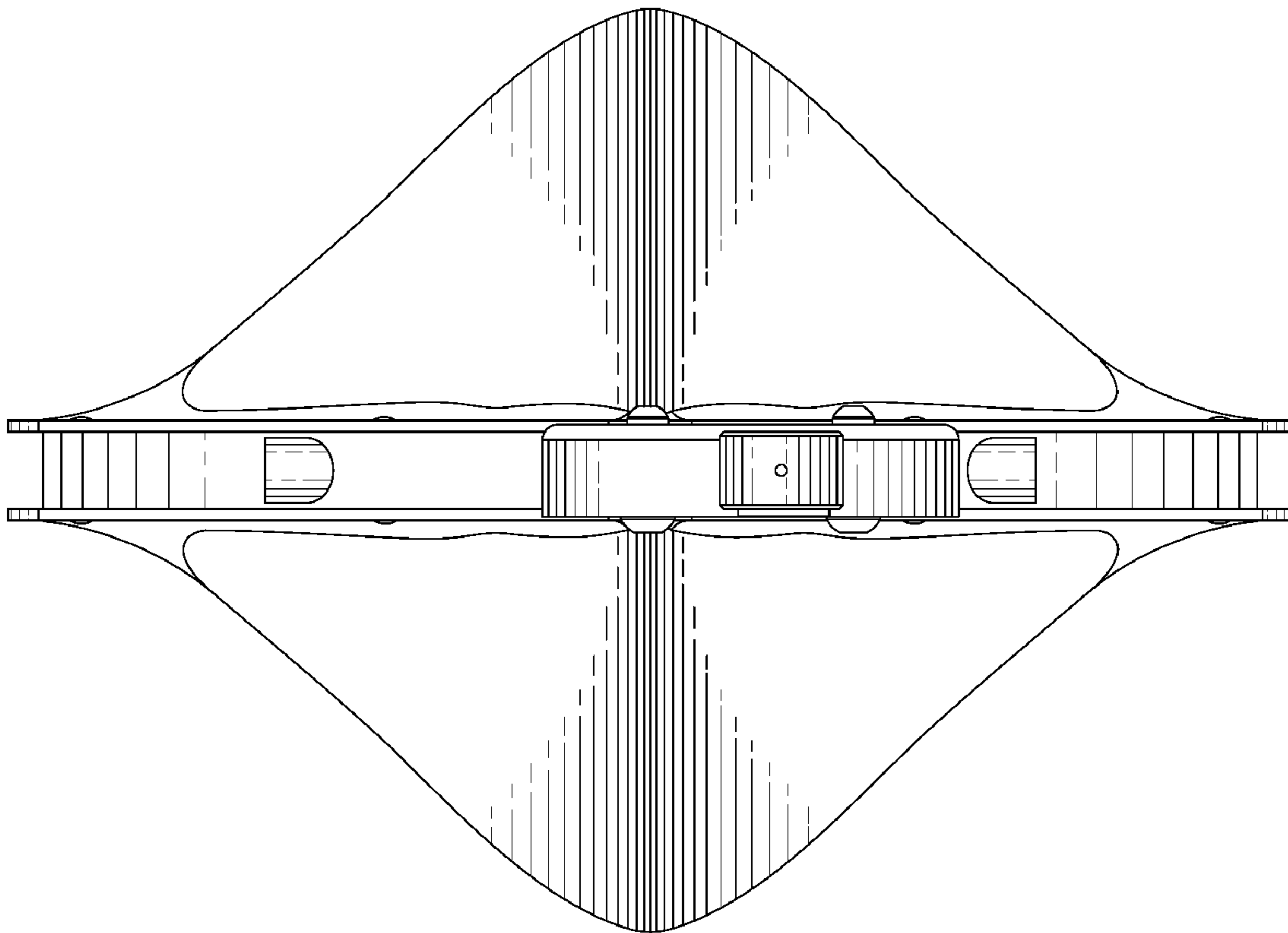


FIG. 4

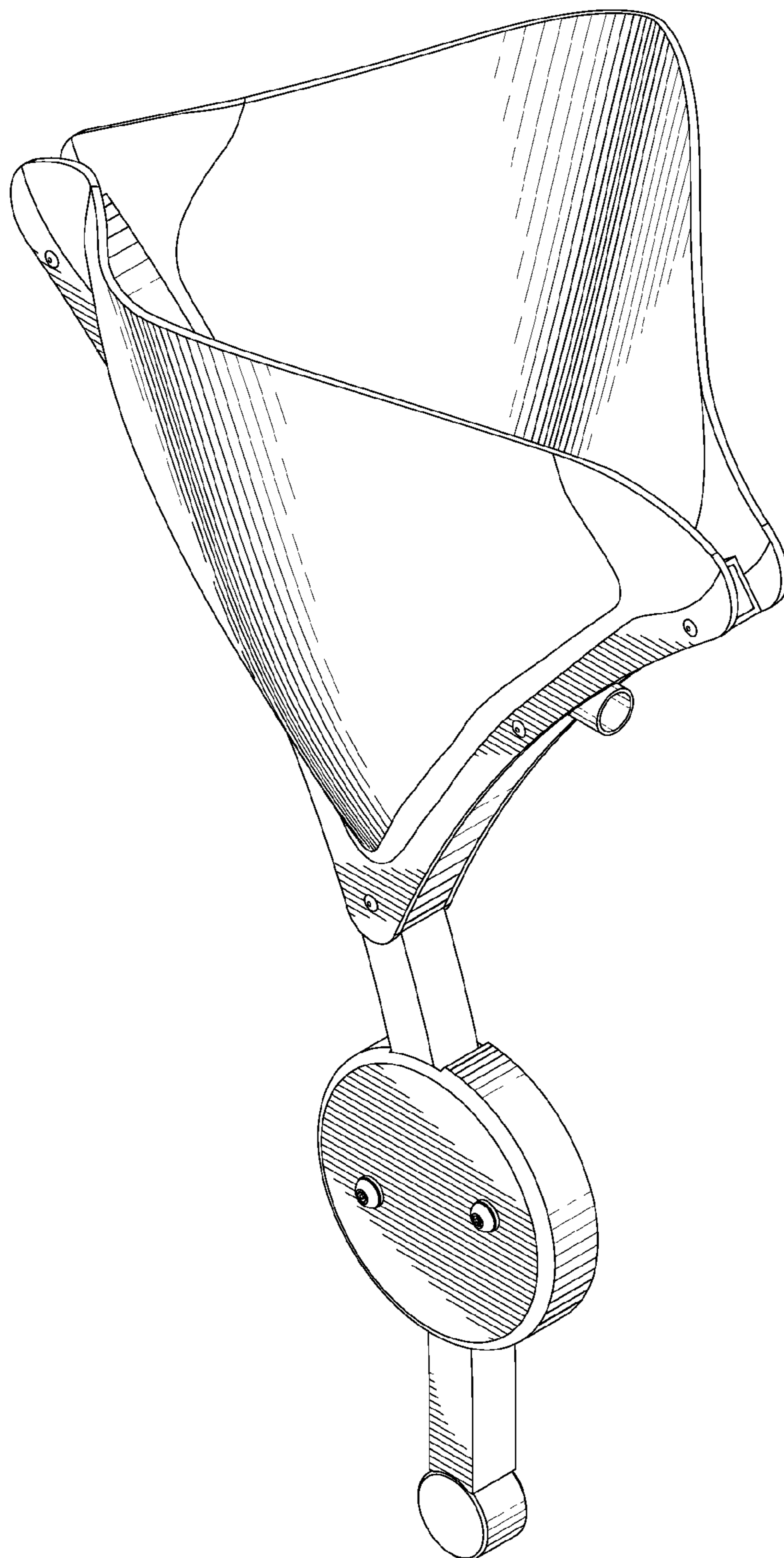


FIG. 5

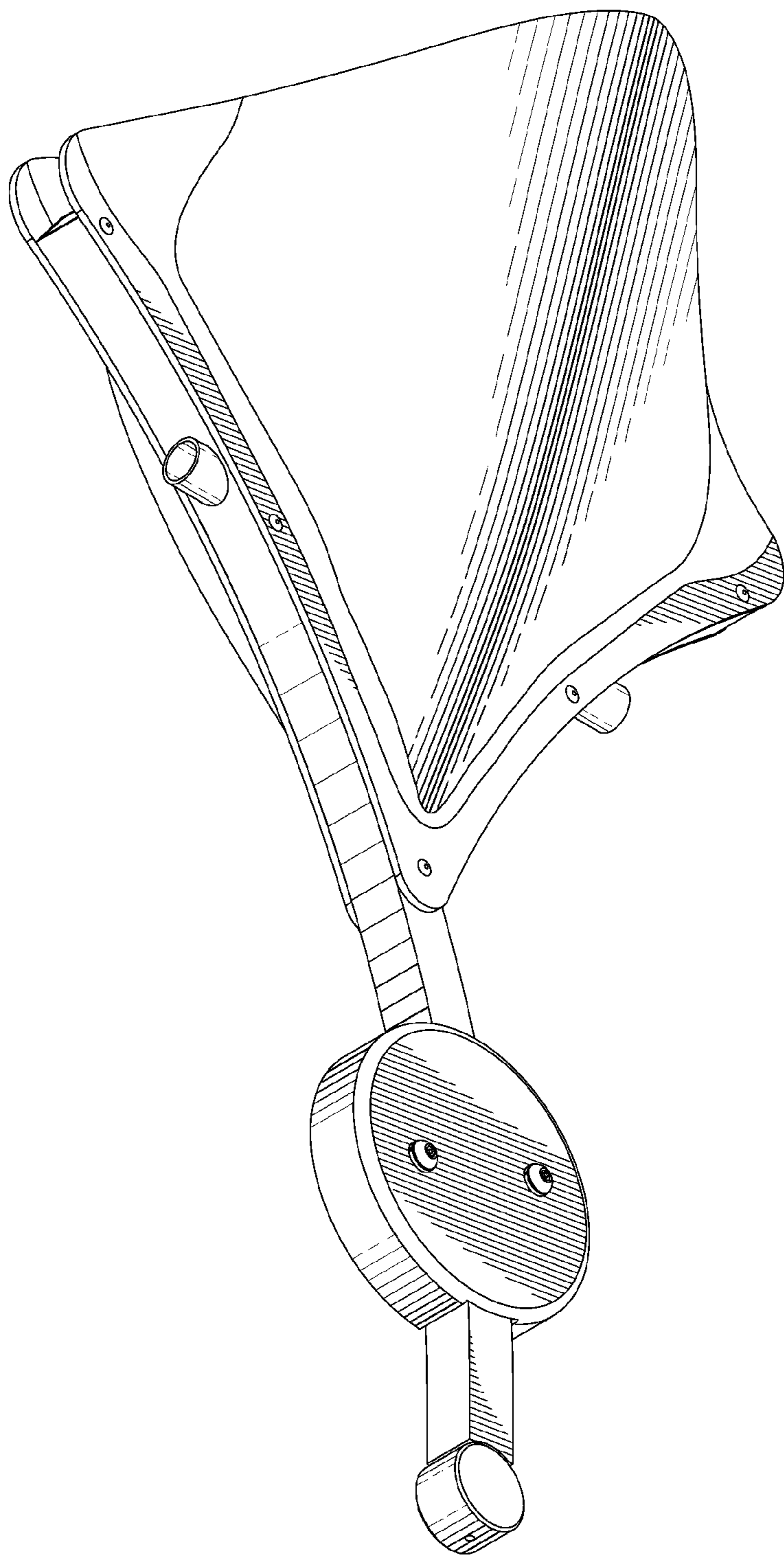


FIG. 6

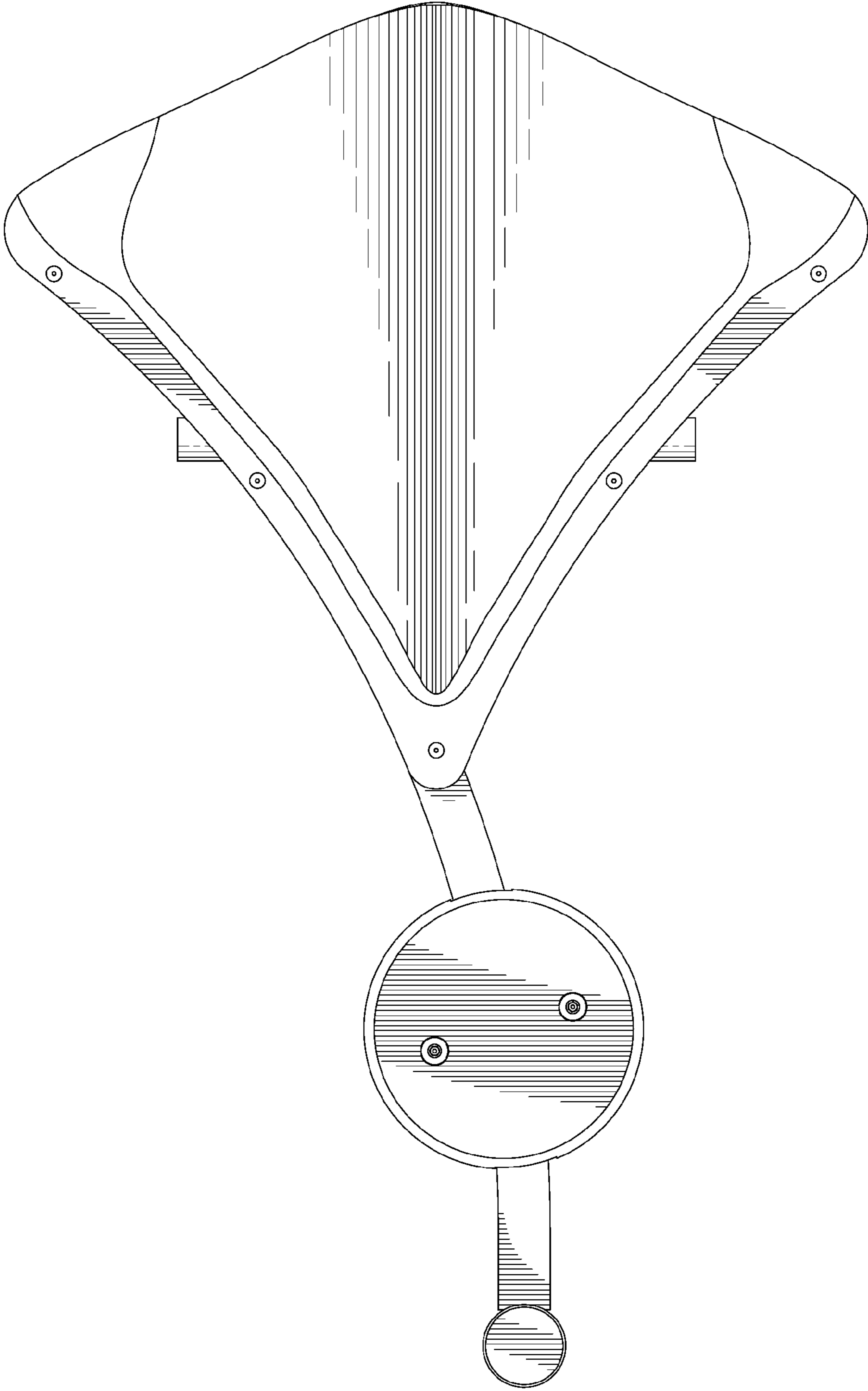


FIG. 7



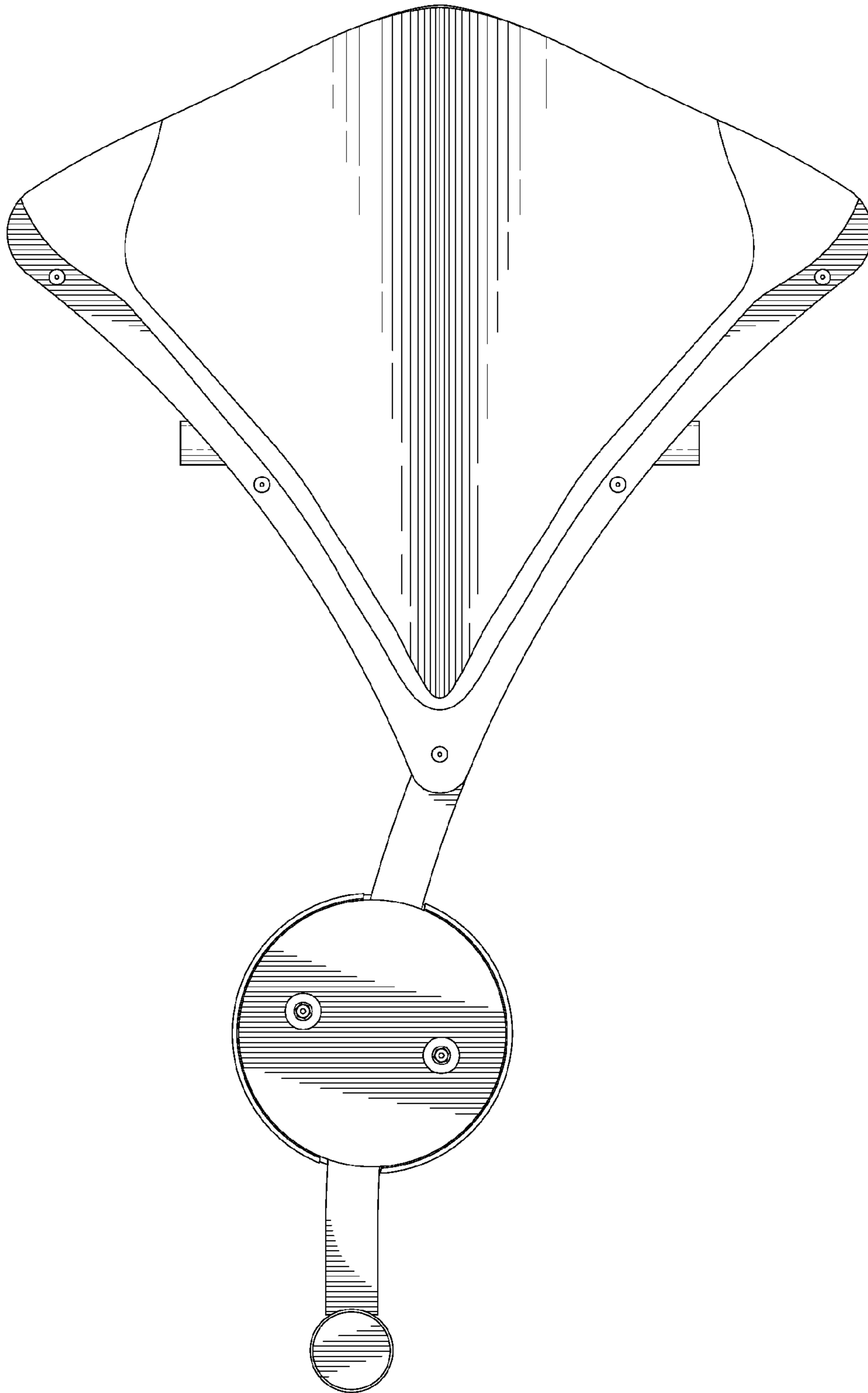


FIG. 8