



US00D598127S

(12) **United States Design Patent**
Lea

(10) **Patent No.:** **US D598,127 S**
(45) **Date of Patent:** **** Aug. 11, 2009**

(54) **DRYING DEVICE**

(75) Inventor: **Peter Lea**, Toronto (CA)

(73) Assignee: **SQI Diagnostics Systems Inc.**, Toronto, Ontario (CA)

(**) Term: **14 Years**

(21) Appl. No.: **29/297,227**

(22) Filed: **Nov. 7, 2007**

(30) **Foreign Application Priority Data**

May 8, 2007 (CA) 120632

(51) **LOC (9) Cl.** **24-02**

(52) **U.S. Cl.** **D24/227**

(58) **Field of Classification Search** D24/216,
D24/224, 226–232; 422/63, 64, 99–104,
422/266, 297, 300; 211/69, 71–72, 74, 71.01;
D32/55–59; D6/462–469, 552; D3/23
See application file for complete search history.

(56) **References Cited**

U.S. PATENT DOCUMENTS

2,956,686 A * 10/1960 Garey D24/228
D195,622 S * 7/1963 Wing D24/230
D221,220 S * 7/1971 Emmitte D24/227
D246,726 S * 12/1977 Fox D24/230
D318,332 S * 7/1991 Allen D24/229
D322,343 S * 12/1991 Percy D32/58

D322,344 S * 12/1991 Winkler D32/58
D349,773 S * 8/1994 Malin et al. D24/216
D366,529 S * 1/1996 Babaoglu et al. D24/229
D368,532 S * 4/1996 Jonkman et al. D24/227
D371,233 S * 7/1996 Kelly D3/25
D373,867 S * 9/1996 Rask D6/552
D465,891 S * 11/2002 Brown D32/55

* cited by examiner

Primary Examiner—Robert A. Delehanty

Assistant Examiner—Mark Cavanna

(74) *Attorney, Agent, or Firm*—Kilyk & Bowersox, P.L.L.C.

(57) **CLAIM**

A design for a drying device, as shown and described.

DESCRIPTION

FIG. 1 is a slightly reduced perspective view of the drying device showing my new design;

FIG. 2 is a top plan view thereof; and,

FIG. 3 is a side elevational view thereof.

The design consists of the features of shape and configuration shown in solid lines in the drawings. The stippled lines in FIGS. 1 and 4 show environment and do not form part of the design.

The broken lines shown on the drying device are included for the purpose of illustrating a portion of the drying device that forms no part of the claimed design.

1 Claim, 2 Drawing Sheets

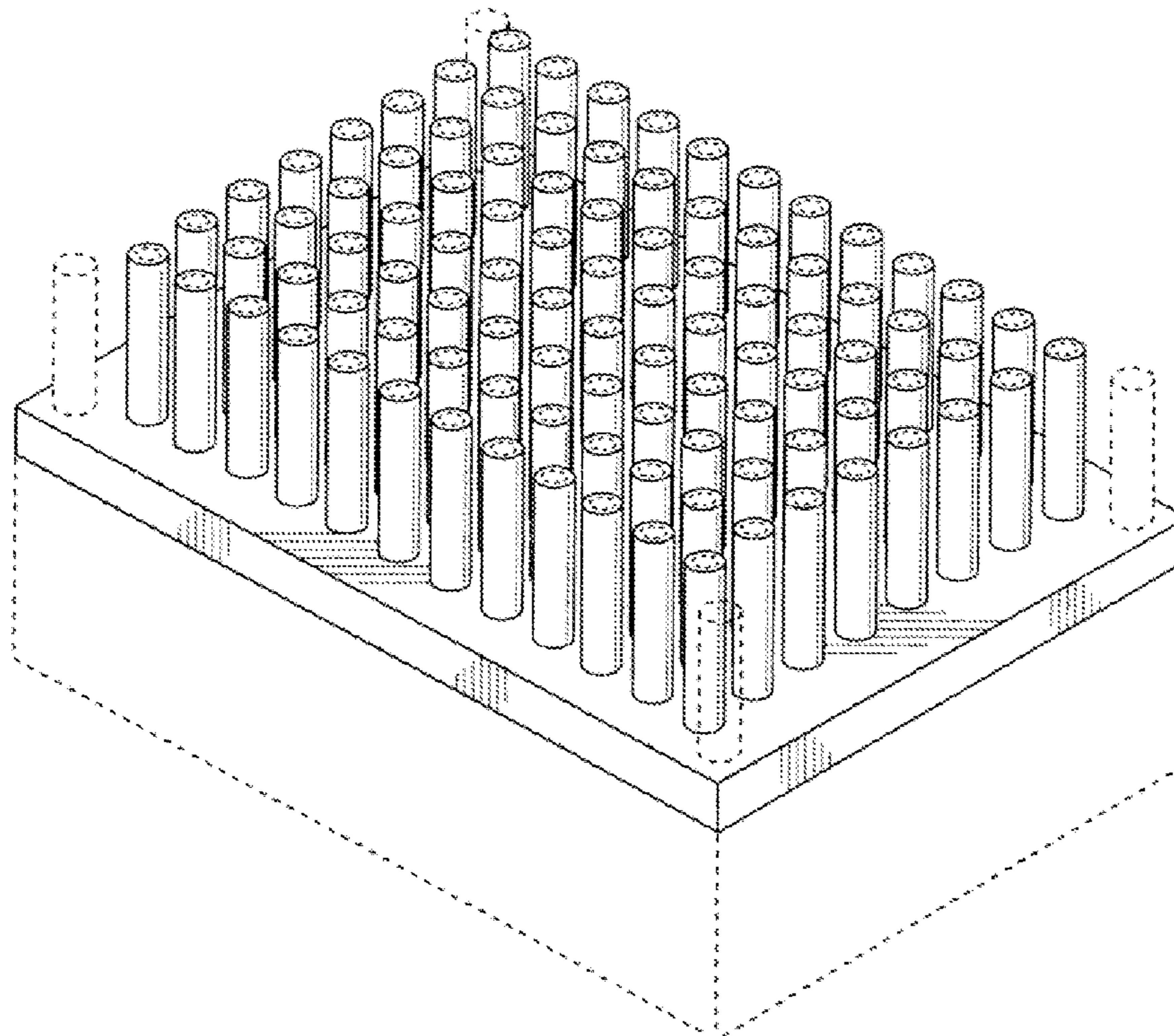


Fig.1

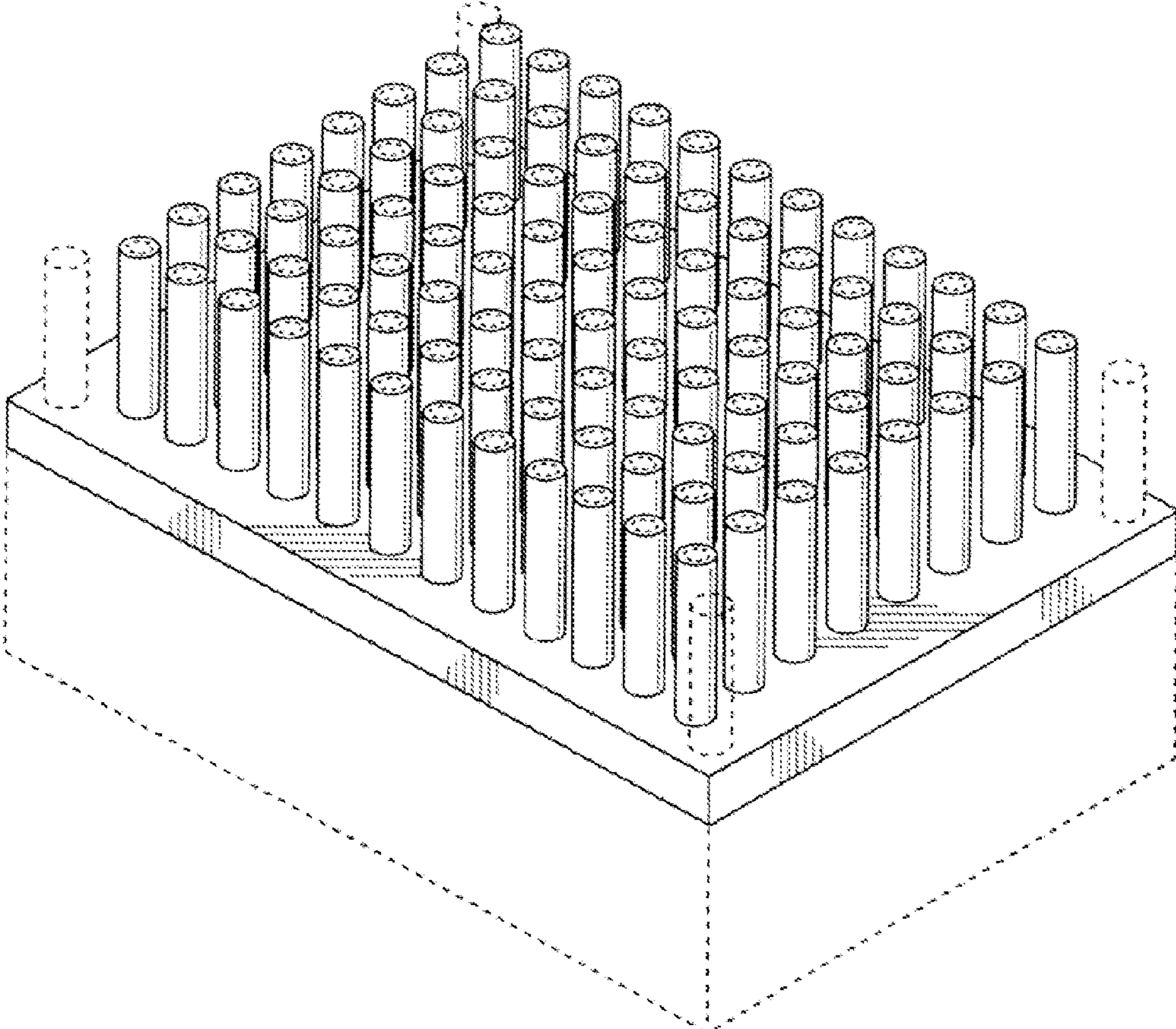


Fig.2

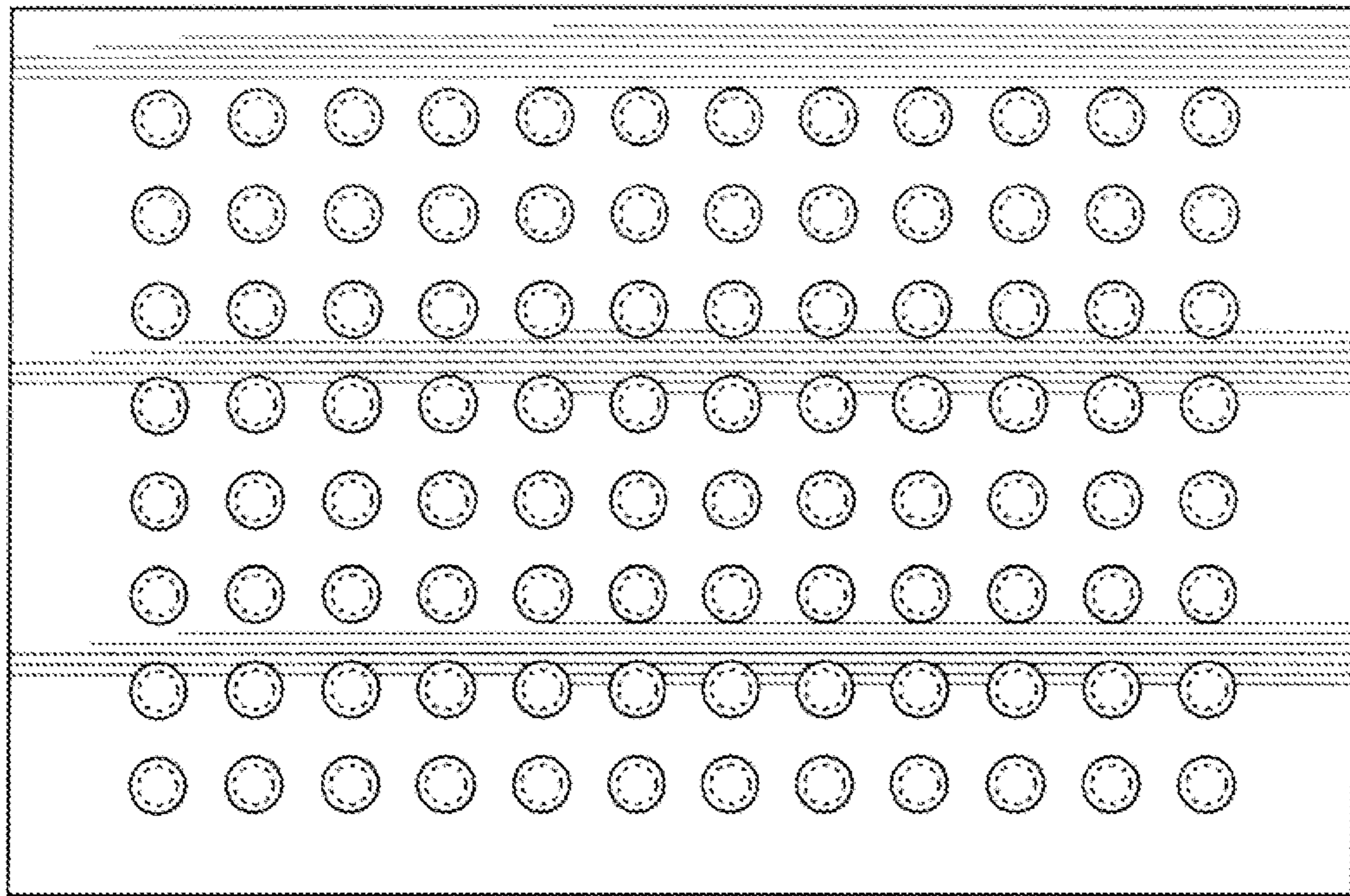


Fig.3

