



US00D598125S

(12) **United States Design Patent**
Wounder

(10) **Patent No.:** **US D598,125 S**

(45) **Date of Patent:** **** *Aug. 11, 2009**

(54) **STAND FOR A CHROMATOGRAPHY COLUMN**

D551,104 S * 9/2007 Wounder D24/224

* cited by examiner

(75) Inventor: **Sven Wounder**, Uppsala (SE)

Primary Examiner—T. Chase Nelson

(73) Assignee: **GE Healthcare Bio-Sciences AB**,
Uppsala (SE)

Assistant Examiner—Anhdao Doan

(74) *Attorney, Agent, or Firm*—Yonggang Ji

(*) Notice: This patent is subject to a terminal disclaimer.

(57) **CLAIM**

(**) Term: **14 Years**

The ornamental design for a stand for a chromatography column, as shown and described.

(21) Appl. No.: **29/305,733**

DESCRIPTION

(22) Filed: **Mar. 27, 2008**

FIG. 1 is a perspective view of the stand for a chromatography column showing our new design.

(30) **Foreign Application Priority Data**

Sep. 28, 2007 (EM) 000798681-0001

FIG. 2 is a left side view of the stand for a chromatography column of FIG. 1

(51) **LOC (9) Cl.** **24-01**

(52) **U.S. Cl.** **D24/224**

(58) **Field of Classification Search** D24/216–232;
D10/81; 422/99, 102, 104; D6/429, 491,
D6/495, 496; 248/129, 188.1, 188.8, 188.9
See application file for complete search history.

FIG. 3 is a right side view of the stand for a chromatography column of FIG. 1.

FIG. 4 is a front view of the stand for a chromatography column of FIG. 1.

FIG. 5 is a top plan view of the stand for a chromatography column of FIG. 1.

(56) **References Cited**

U.S. PATENT DOCUMENTS

D247,034 S * 1/1978 Brodmann D6/495
D307,182 S * 4/1990 Smith D24/128
5,165,632 A * 11/1992 Kuan 248/129
D376,550 S * 12/1996 Sims et al. D24/224
6,139,219 A * 10/2000 Vinarsky 248/129
D468,137 S * 1/2003 Ulmer D6/496

FIG. 6 is a perspective view of the stand for a chromatography column of FIG. 1 with the column in vertical position; and,

FIG. 7 is a perspective view of the stand for a chromatography column of FIG. 1 with the column in angled position.

The broken line showing of a chromatography column is for purposes of illustrating environmental structure that forms no part of the claimed design.

1 Claim, 7 Drawing Sheets

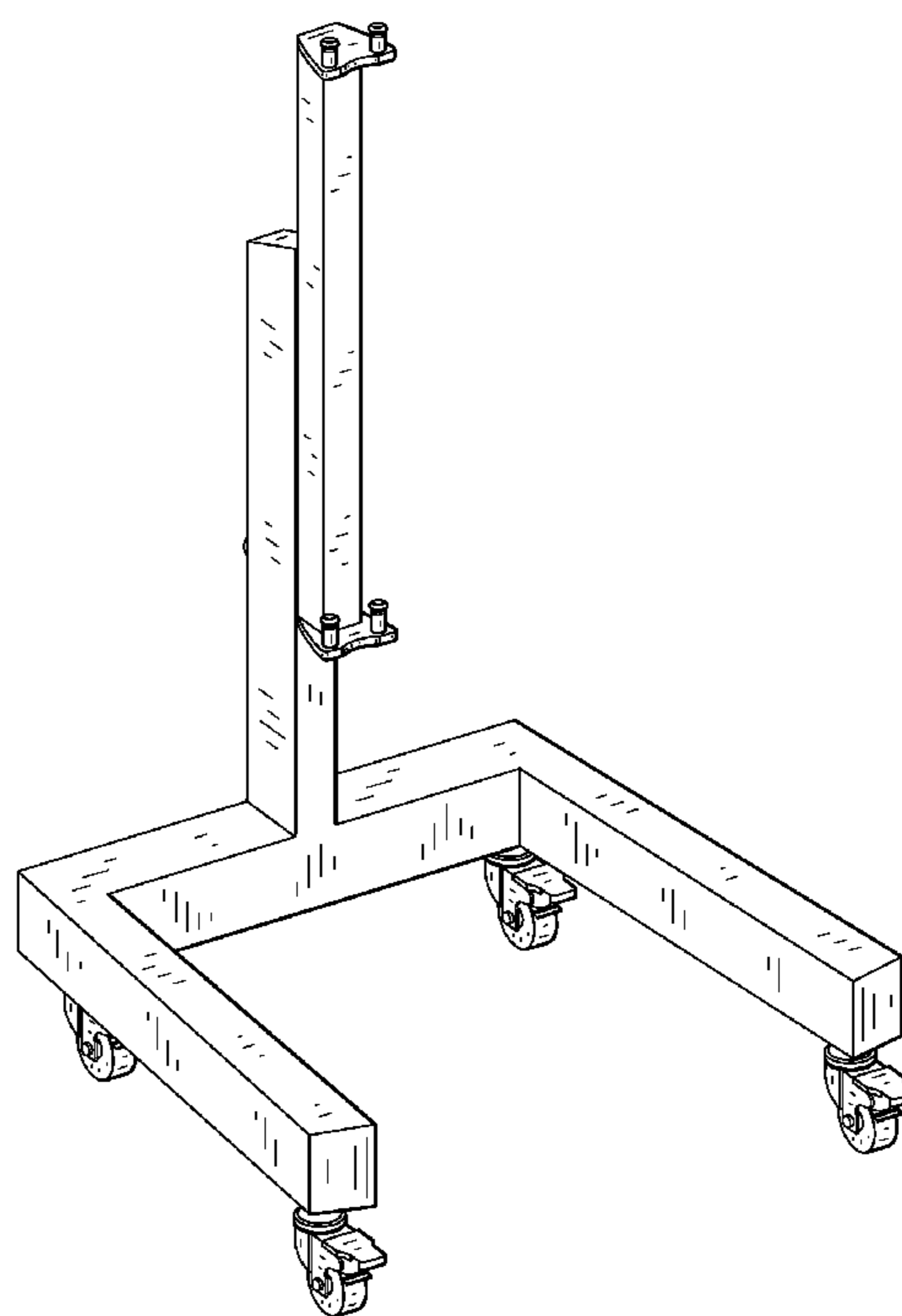


FIG. 1

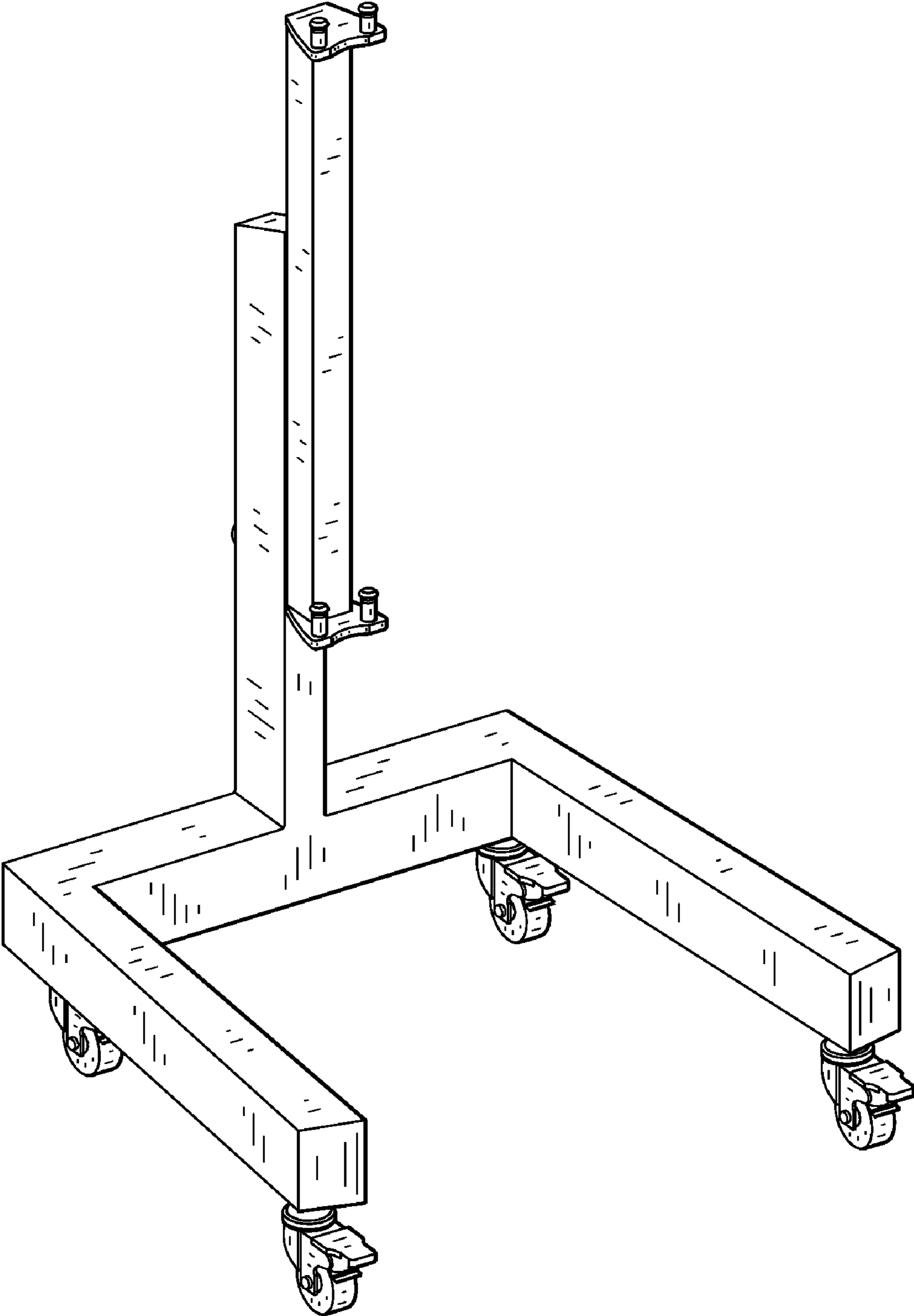


FIG. 2

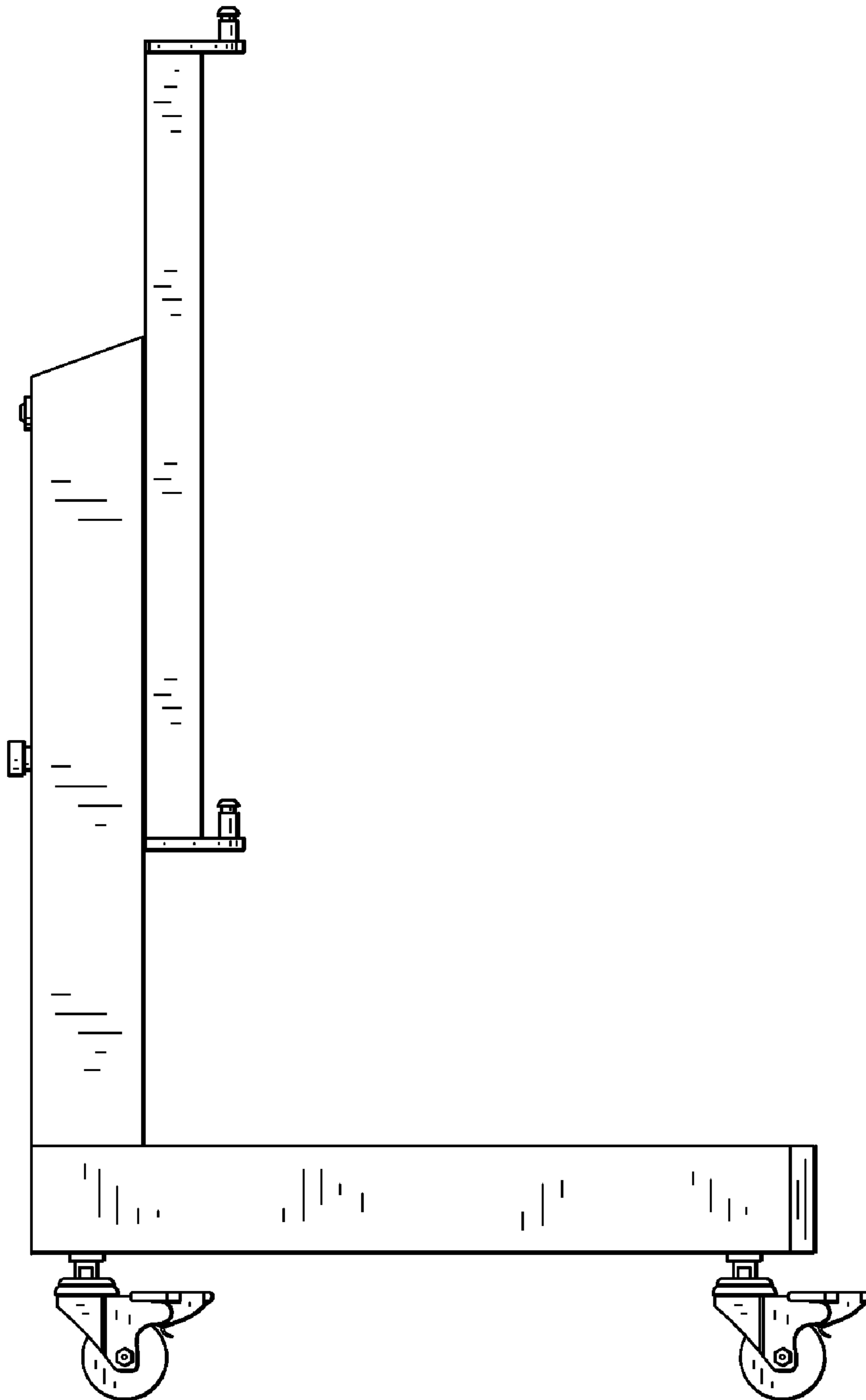


FIG. 3

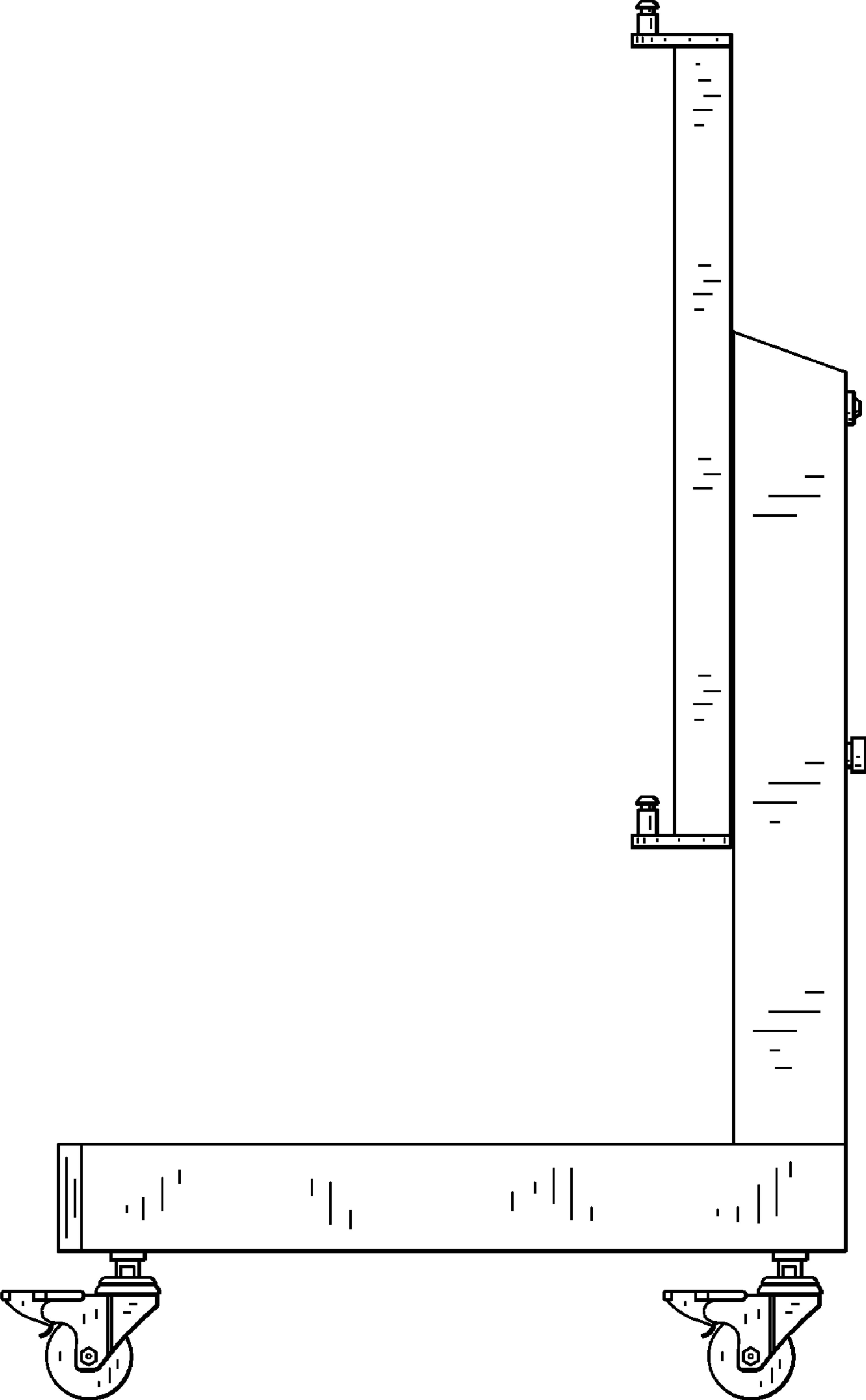


FIG. 4

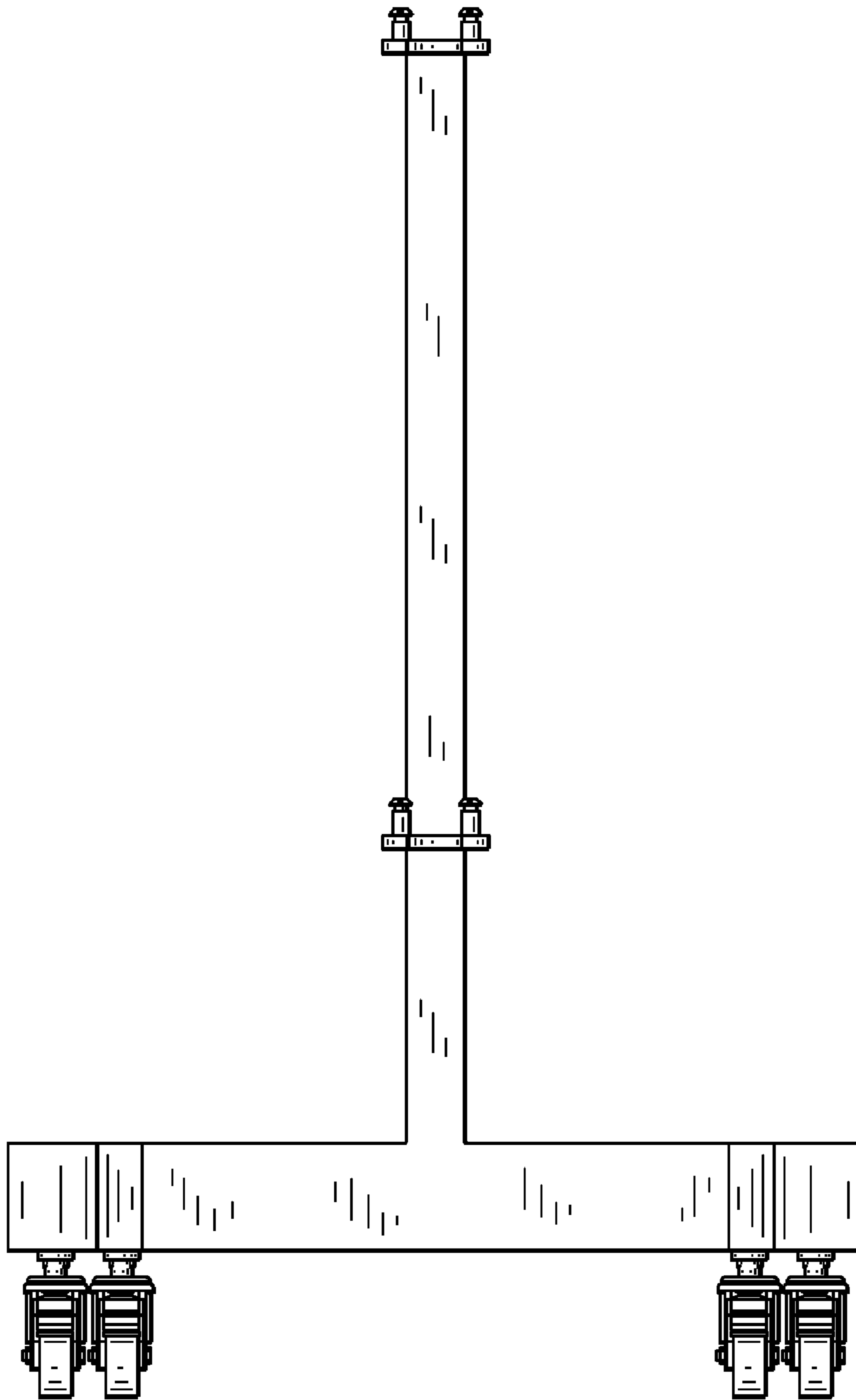


FIG. 5

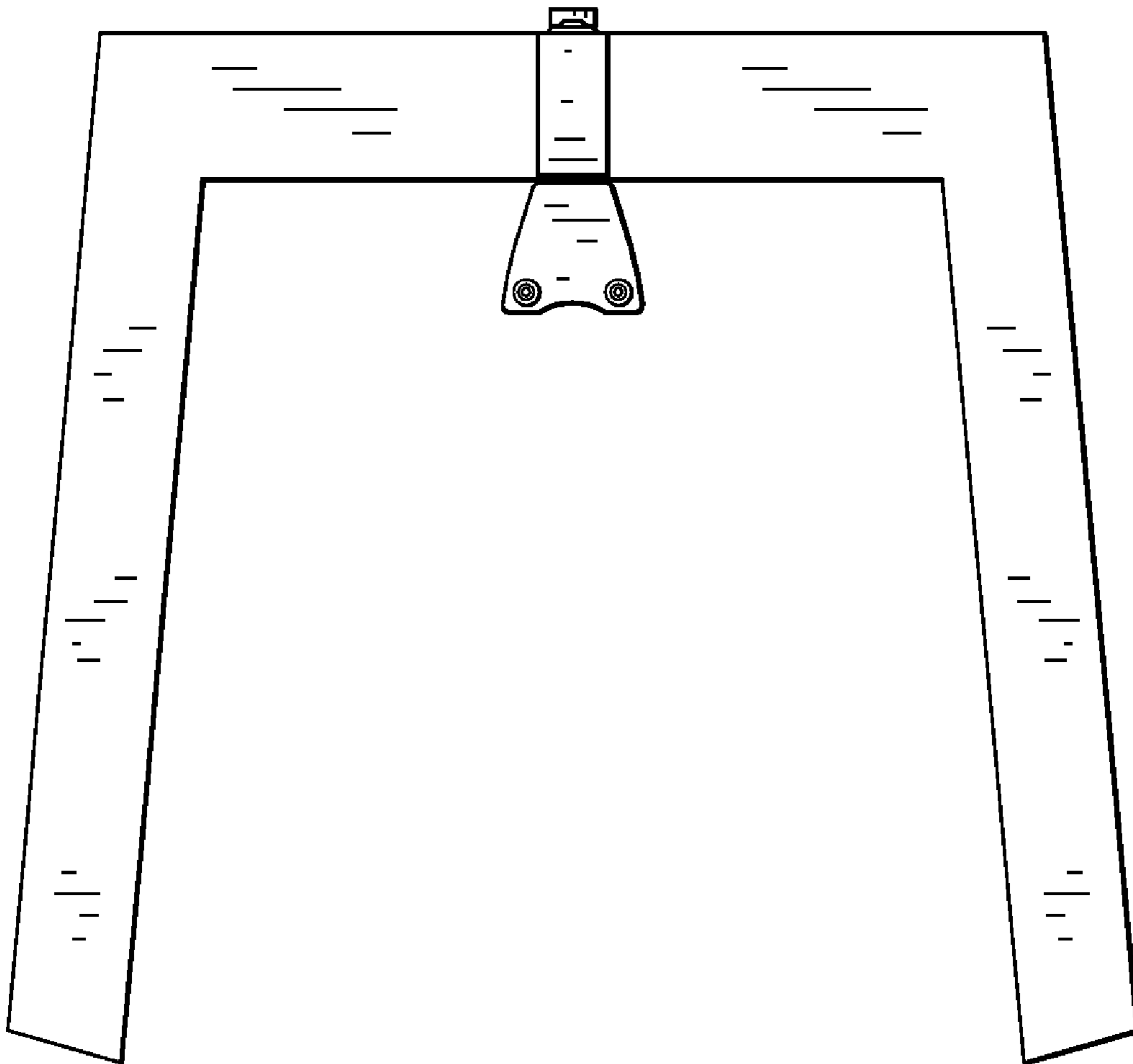


FIG. 6

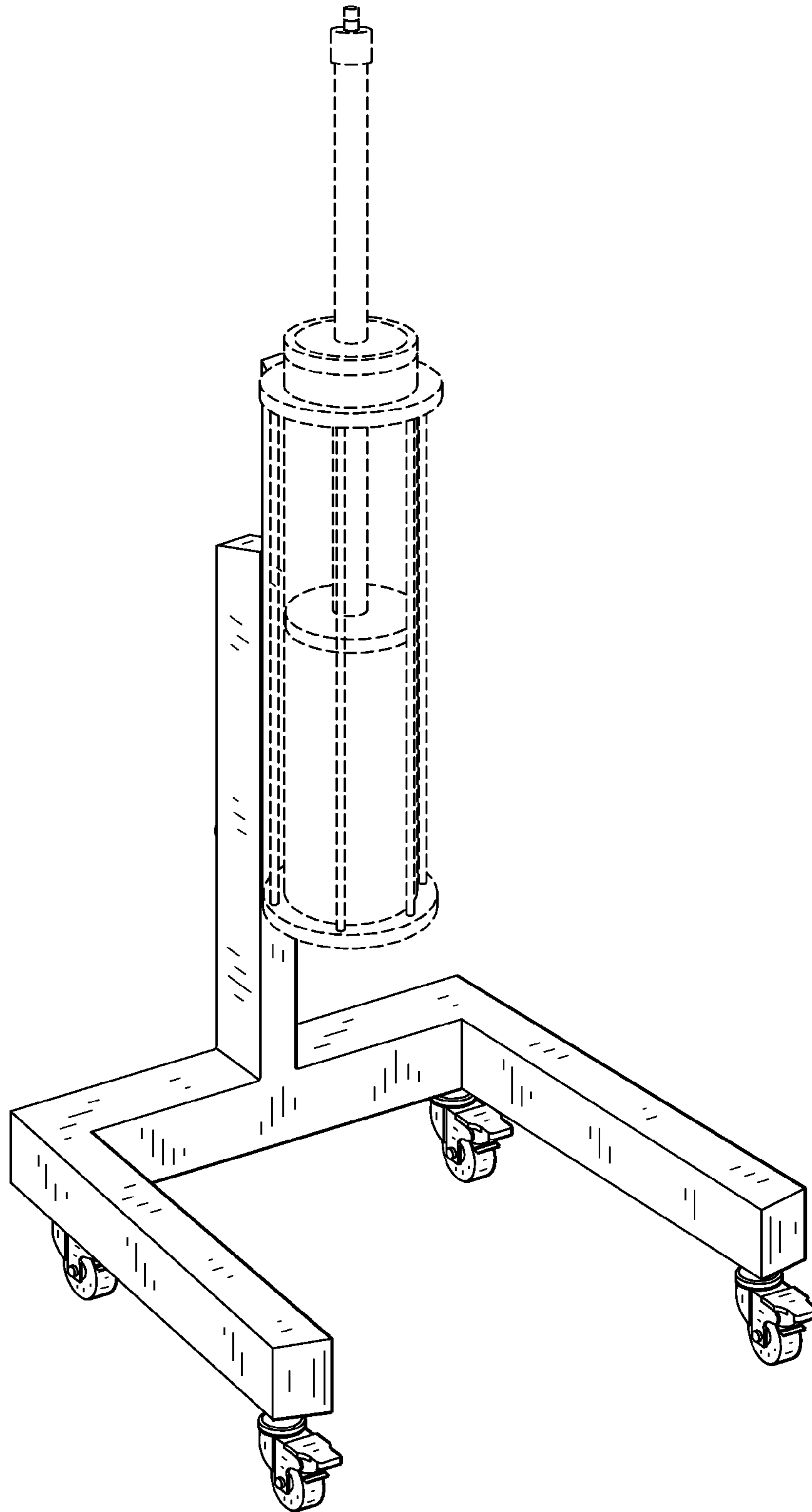


FIG. 7

