



US00D598123S

(12) **United States Design Patent**
Steinhobel

(10) **Patent No.:** **US D598,123 S**

(45) **Date of Patent:** **** Aug. 11, 2009**

(54) **TOOTHBRUSH SANITIZER**

(75) Inventor: **Brian Steinhobel**, Sandton (ZA)
(73) Assignee: **Bonfit America Inc.**, Culver City, CA (US)

(**) Term: **14 Years**

(21) Appl. No.: **29/308,443**

(22) Filed: **Jun. 18, 2008**

(51) **LOC (9) Cl.** **24-01**

(52) **U.S. Cl.** **D24/217**

(58) **Field of Classification Search** D24/216–226;
D6/528, 534; D32/1; 422/26, 291, 292,
422/295–297, 299; 250/455.11

See application file for complete search history.

(56) **References Cited**

U.S. PATENT DOCUMENTS

D379,280 S	*	5/1997	Butler et al.	D6/534
D434,854 S	*	12/2000	Muller	D24/218
D527,461 S	*	8/2006	Yue	D24/217
D538,437 S	*	3/2007	Yue	D24/217
D542,929 S	*	5/2007	Shin	D24/217
D556,337 S	*	11/2007	Davis	D24/217
D573,263 S	*	7/2008	Pinsky	D24/217

* cited by examiner

Primary Examiner—T. Chase Nelson
Assistant Examiner—Anhdao Doan
(74) *Attorney, Agent, or Firm*—Thomas I. Rozsa

(57) **CLAIM**

The ornamental design for a toothbrush sanitizer, as shown and described.

DESCRIPTION

FIG. 1 is a bottom perspective view when viewed from the left side of a toothbrush sanitizer ornament, showing my design.

FIG. 2 is a top perspective view when viewed from the left side;

FIG. 3 is a bottom perspective view when viewed from the right side;

FIG. 4 is a side elevational view when viewed from the left side;

FIG. 5 is a side elevational view when viewed from the right side;

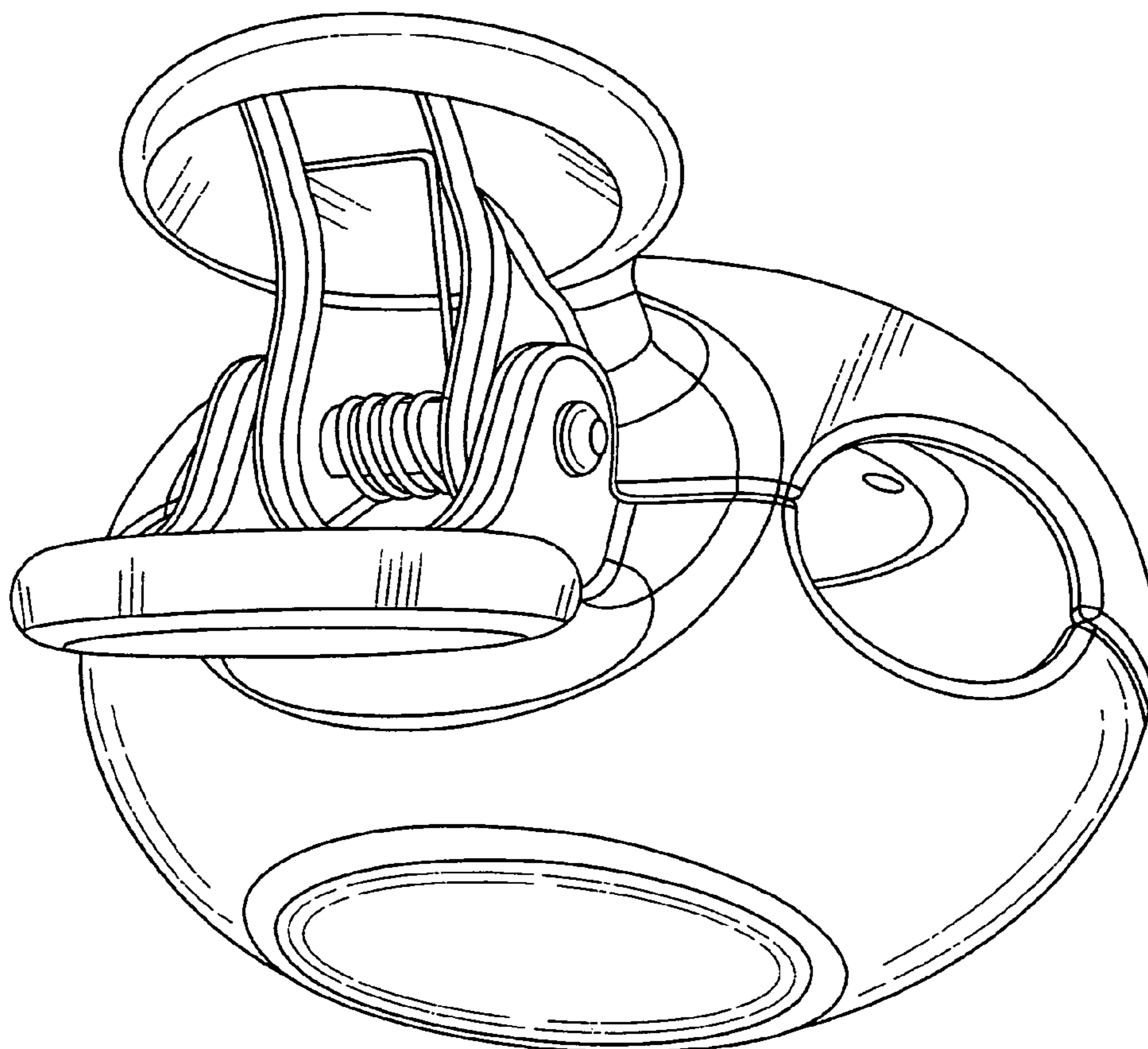
FIG. 6 is a top plan view;

FIG. 7 is a bottom plan view;

FIG. 8 is an end view when viewed from the right end; and,

FIG. 9 is an end view when viewed from the left end.

1 Claim, 8 Drawing Sheets



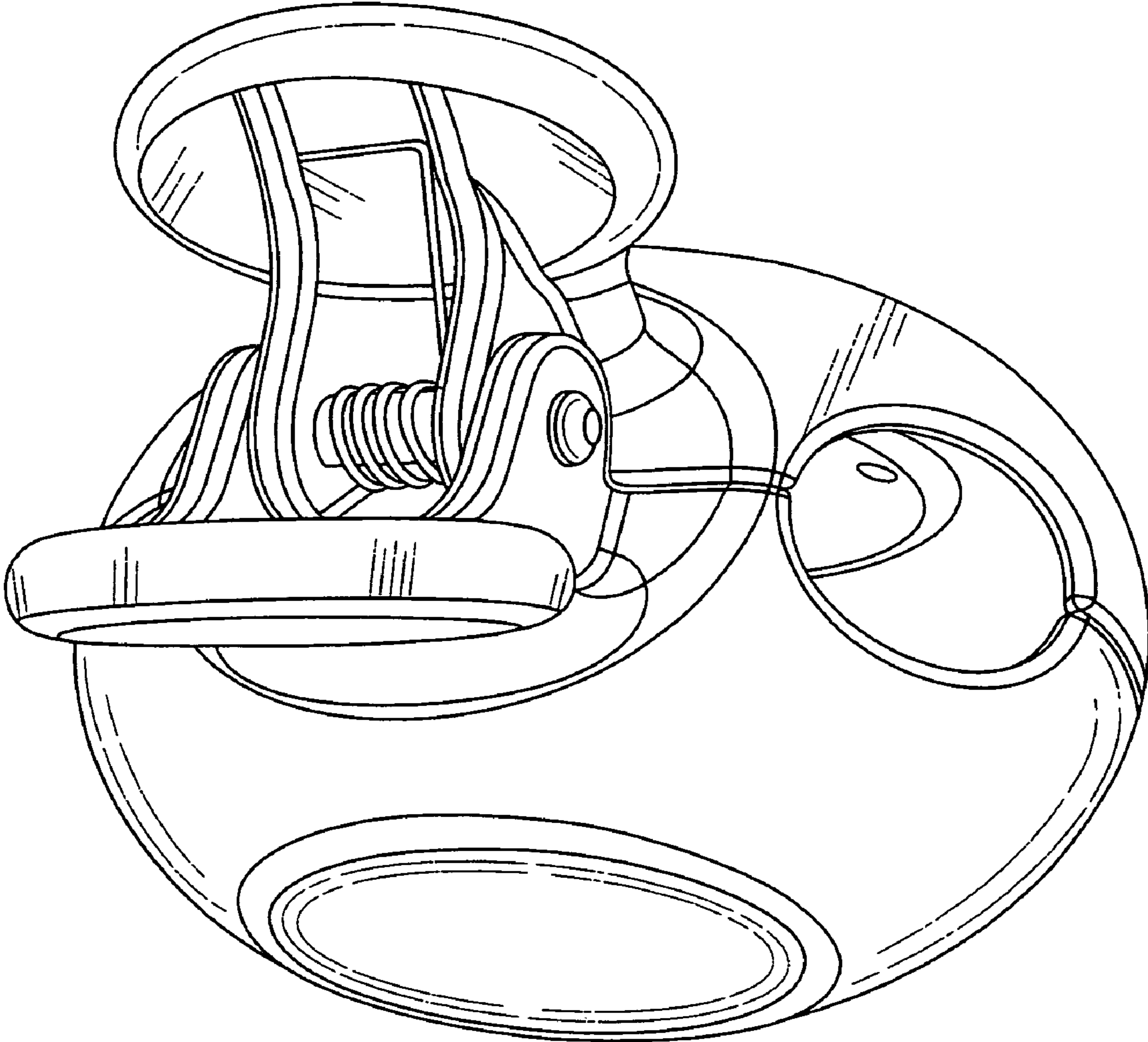


FIG. 1

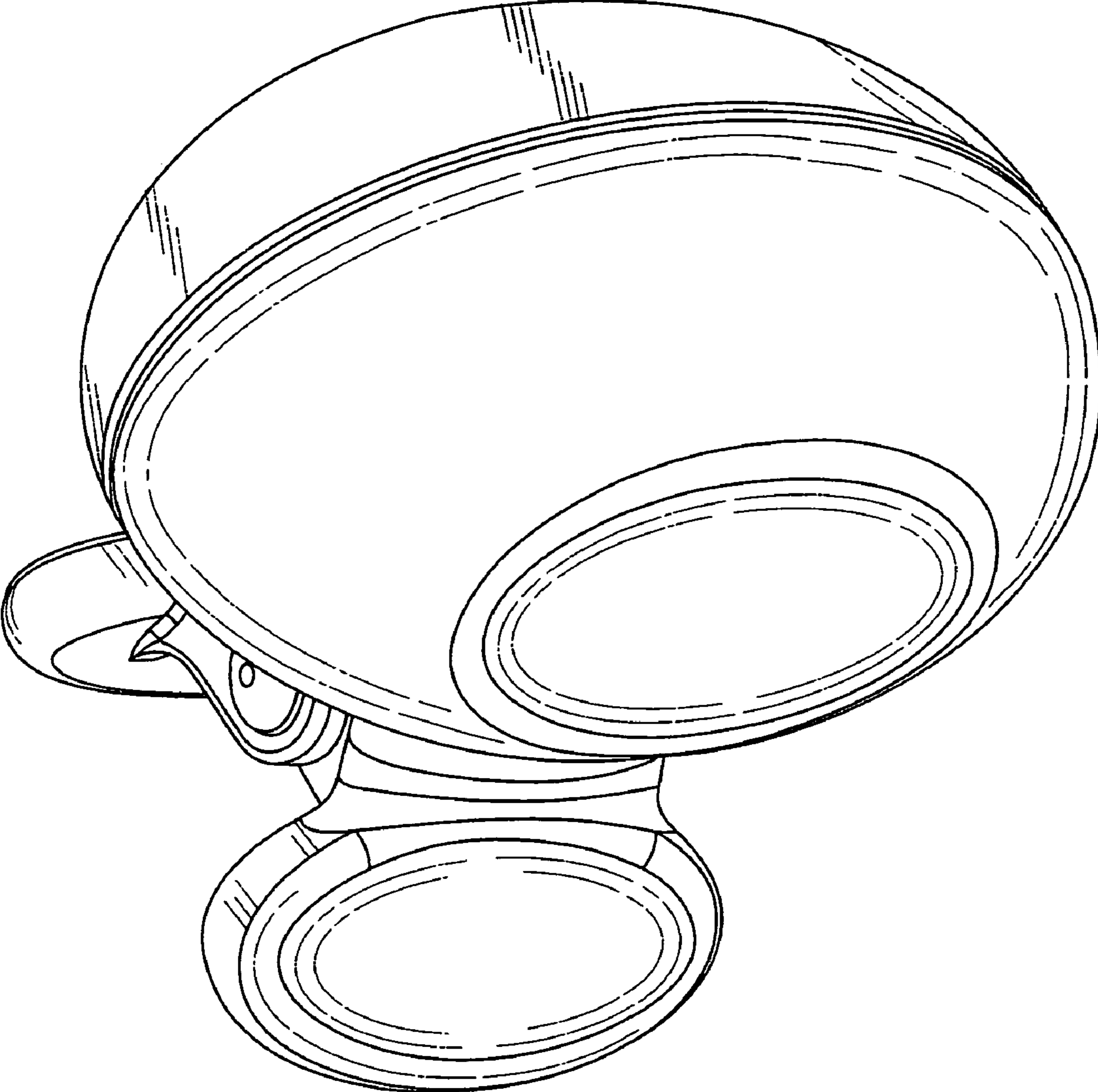


FIG. 2

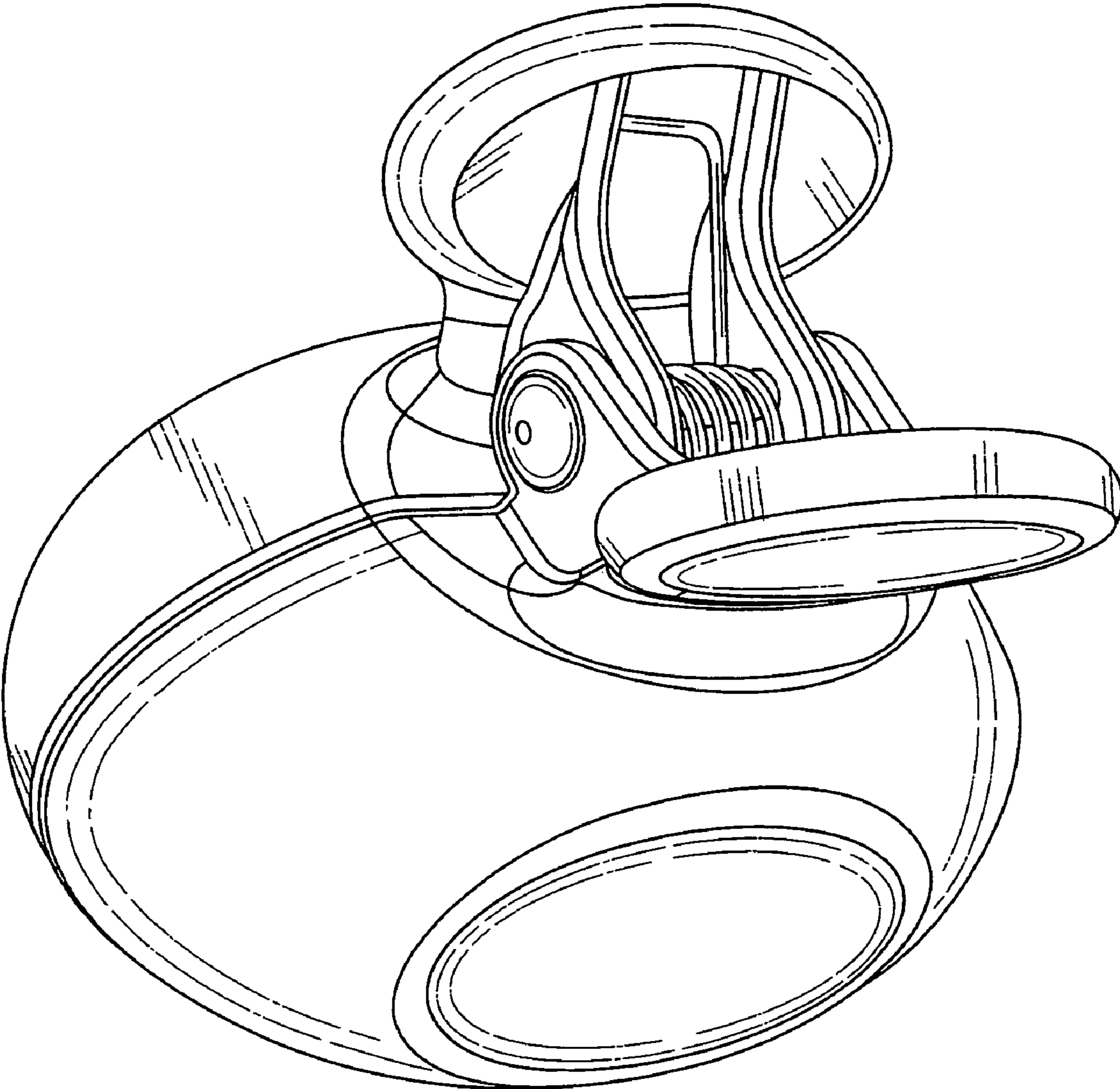


FIG. 3

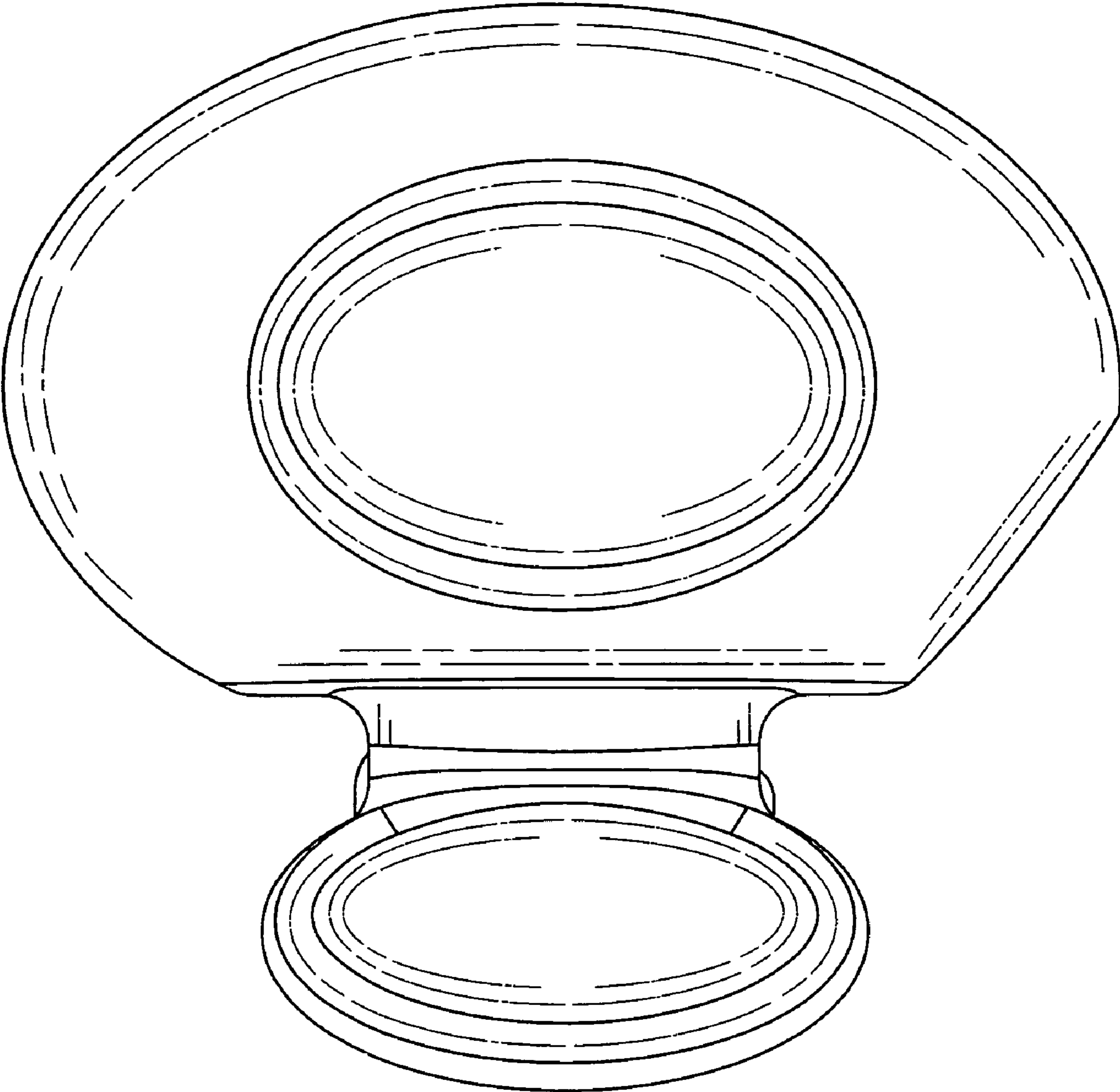


FIG. 4

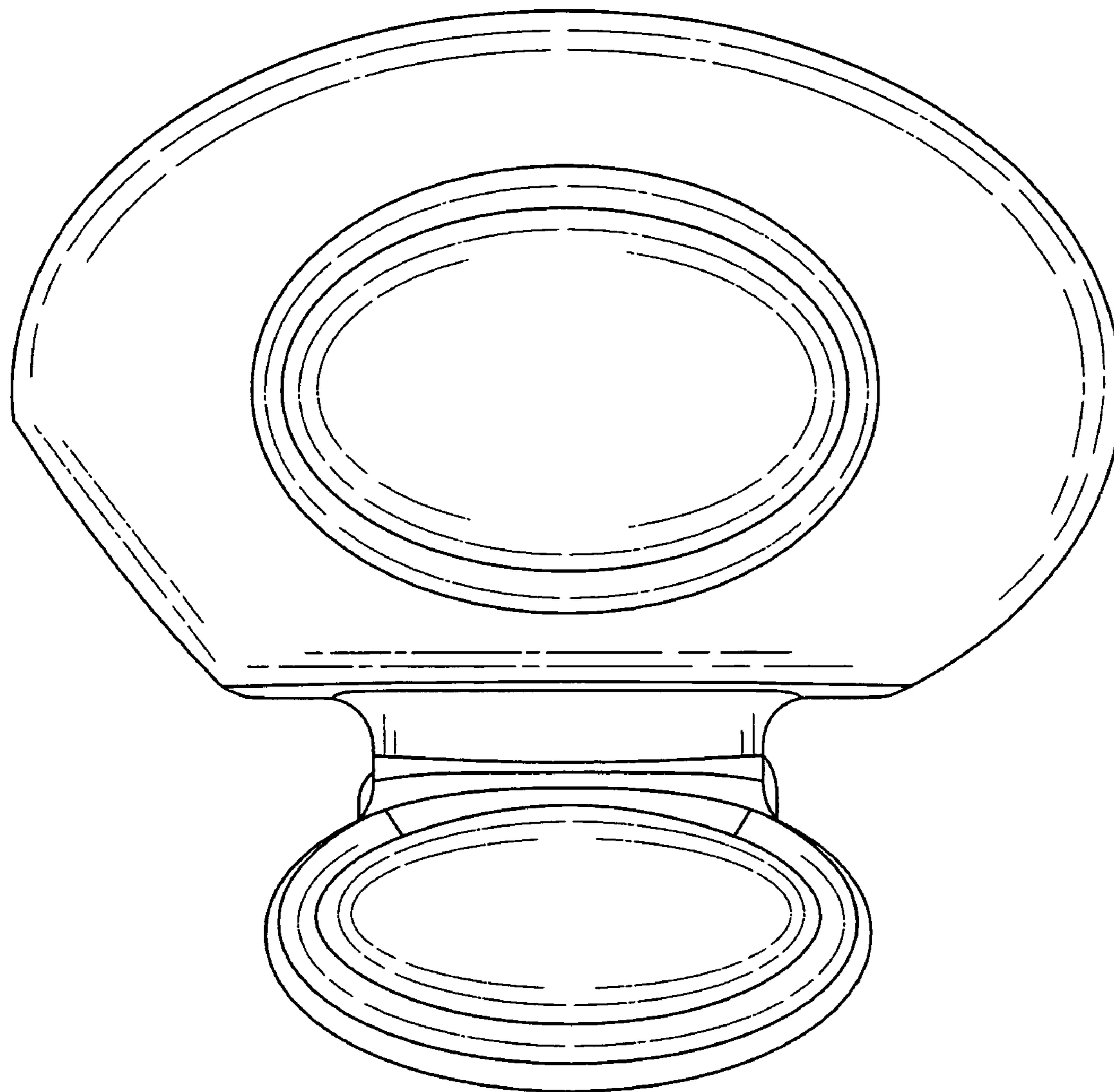


FIG. 5

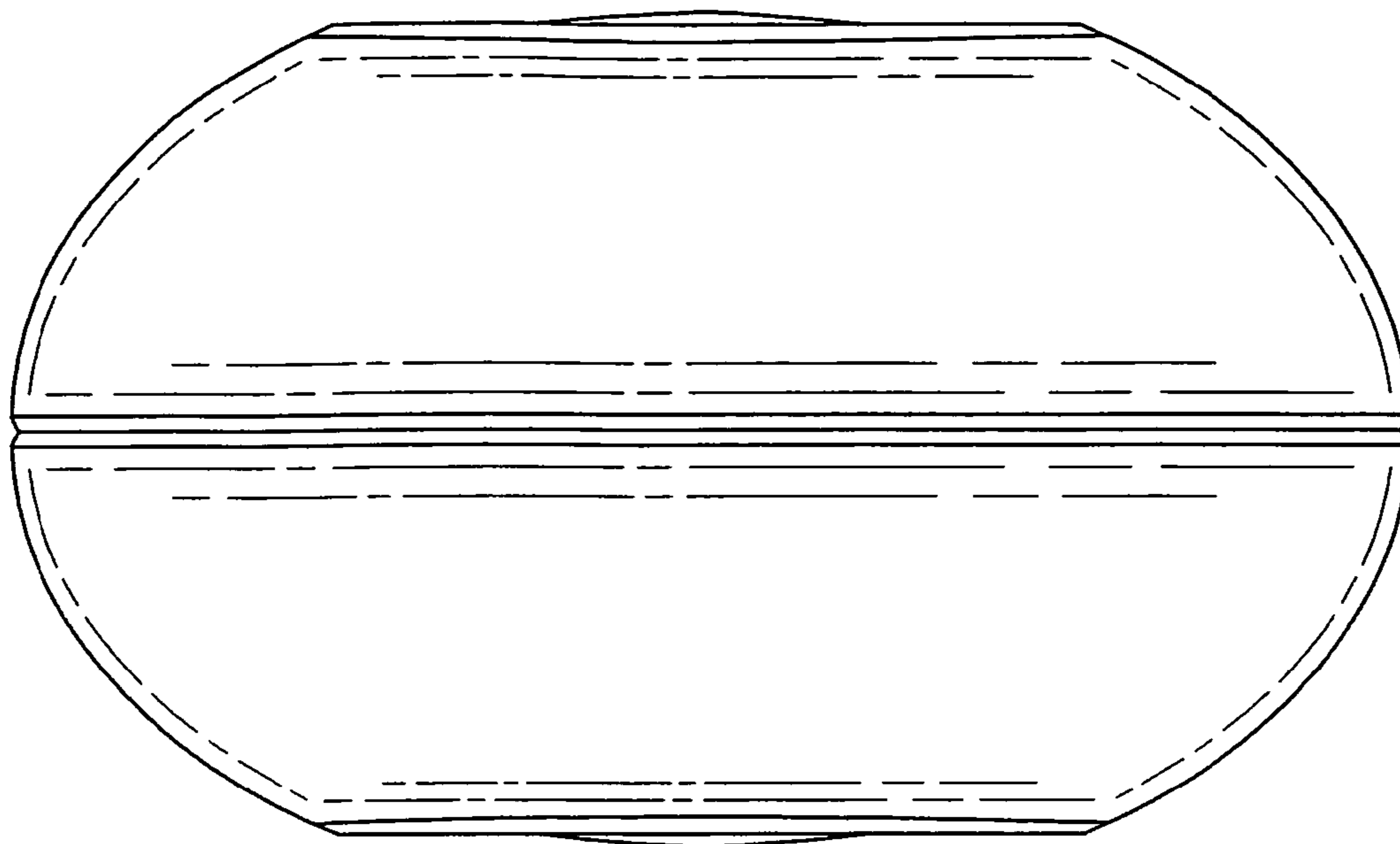


FIG. 6

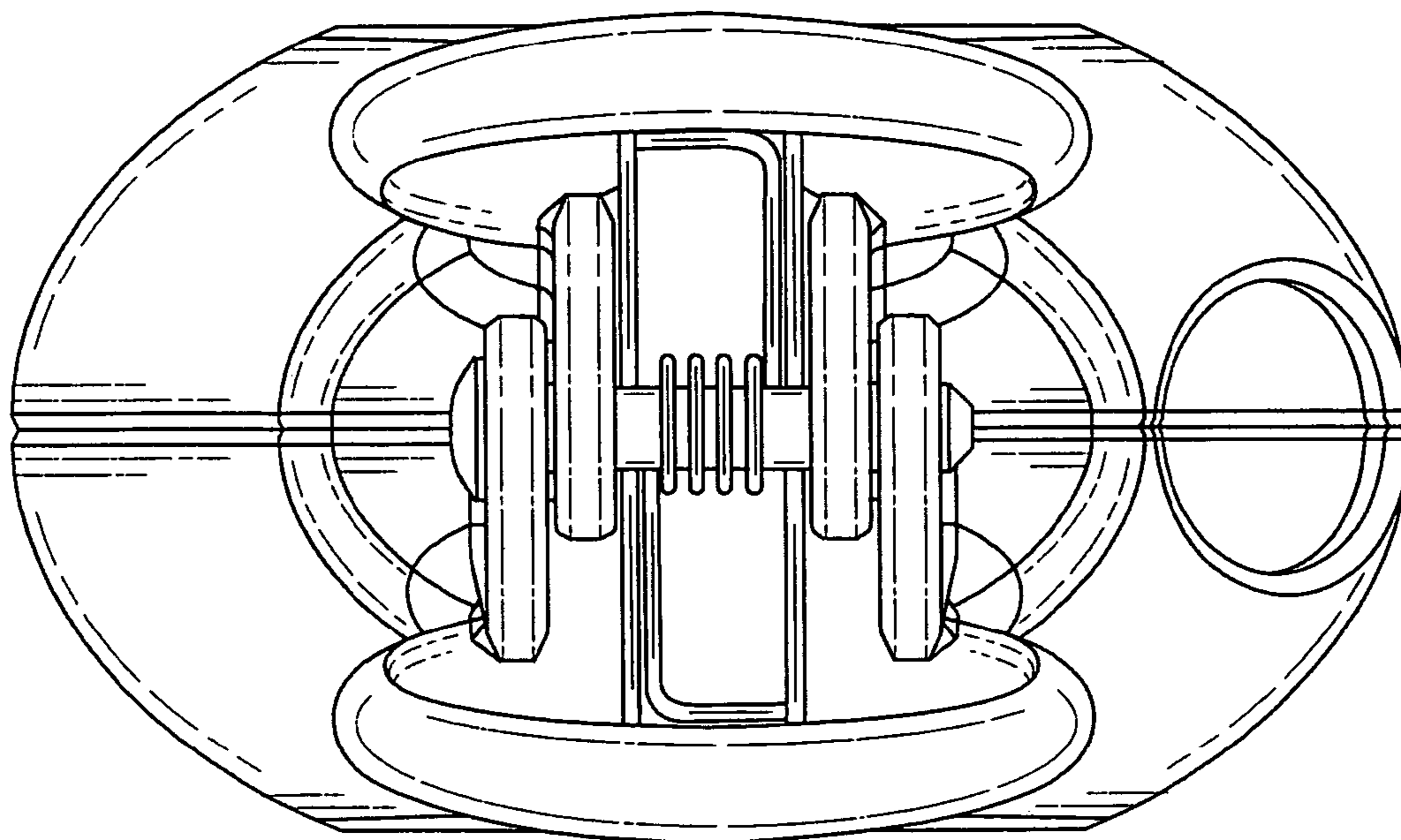


FIG. 7

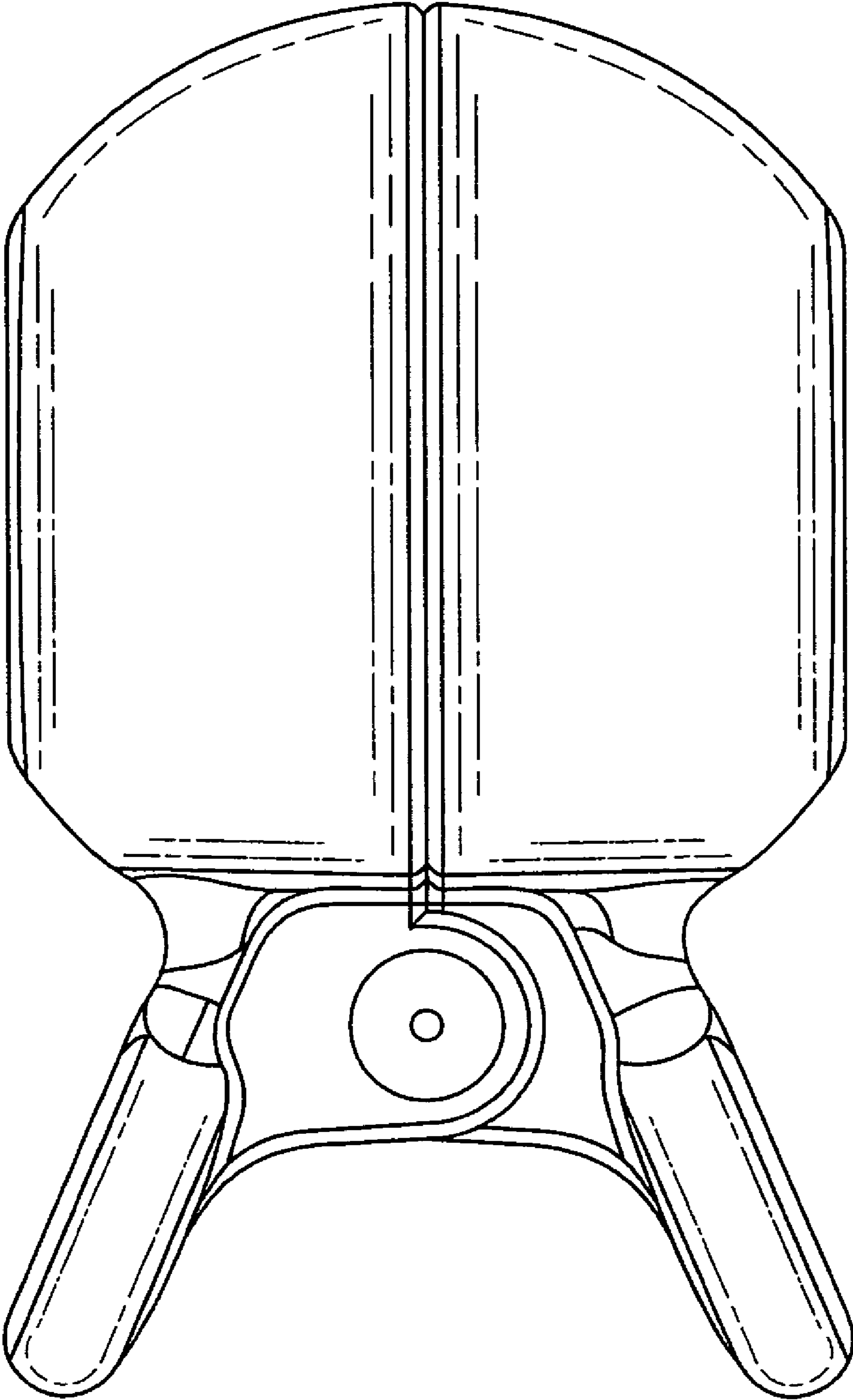


FIG. 8

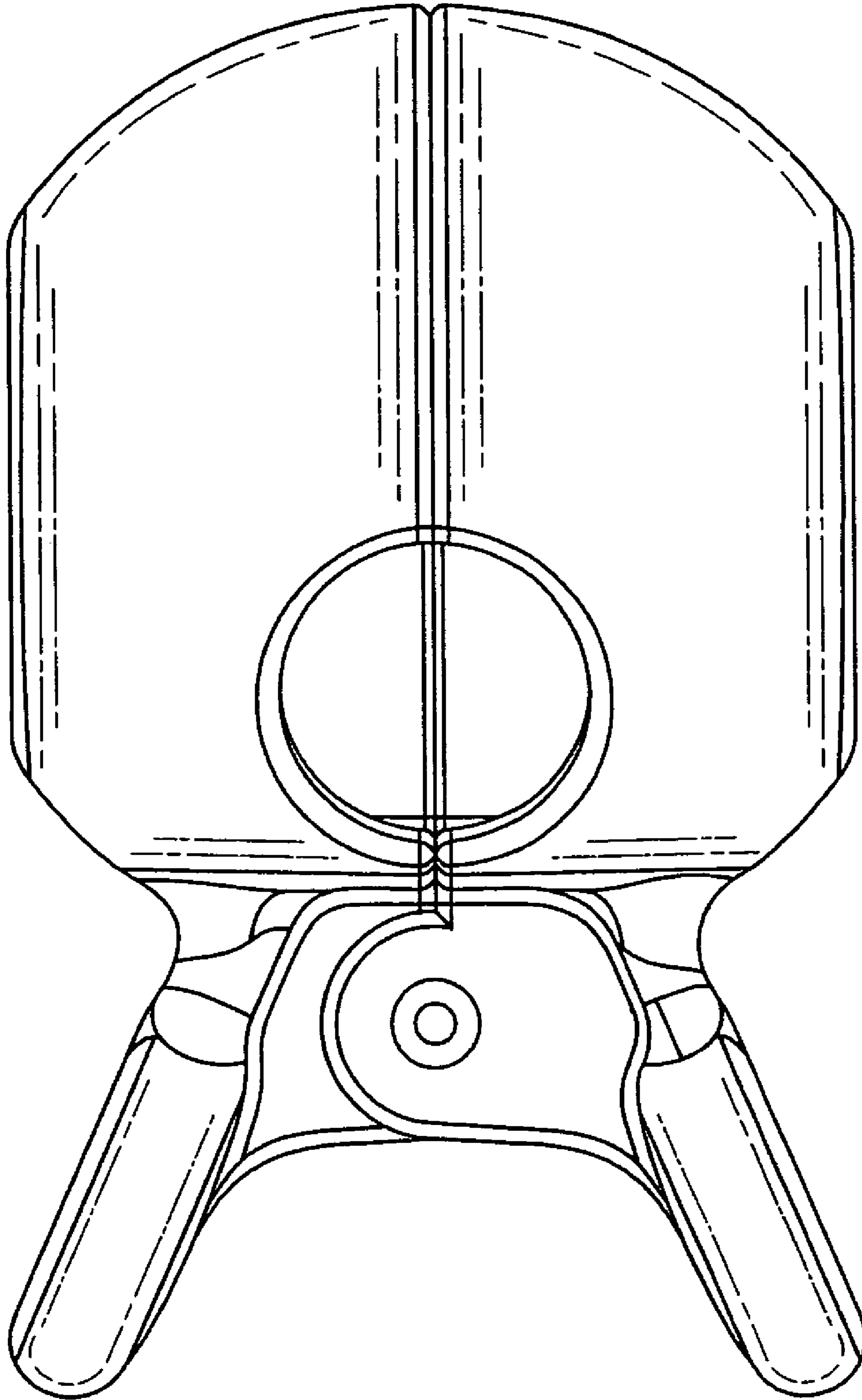


FIG. 9