



US00D598121S

(12) **United States Design Patent**
LaStella

(10) **Patent No.:** **US D598,121 S**

(45) **Date of Patent:** **** Aug. 11, 2009**

(54) **SAMPLING DEVICE**

(57) **CLAIM**

(76) Inventor: **Vincent LaStella**, 107 William St.,
Clark, NJ (US) 07066

The ornamental design for a sampling device, as shown and described.

(**) Term: **14 Years**

DESCRIPTION

(21) Appl. No.: **29/296,977**

(22) Filed: **Oct. 31, 2007**

Related U.S. Application Data

(63) Continuation-in-part of application No. 11/137,817, filed on Jul. 22, 2004, and a continuation-in-part of application No. 10/896,607, filed on Jul. 22, 2004, now Pat. No. 7,427,507.

(51) **LOC (9) Cl.** **24-02**

(52) **U.S. Cl.** **D24/216**

(58) **Field of Classification Search** D24/216-230;
422/64, 102, 56, 58, 61, 63, 99, 104; 356/246;
D10/81, 103; 436/66, 67; 435/287.1, 288.7
See application file for complete search history.

(56) **References Cited**

U.S. PATENT DOCUMENTS

2,291,173 A * 7/1942 Simpson 40/702

(Continued)

FOREIGN PATENT DOCUMENTS

EP 1619 502 A1 1/2006

(Continued)

OTHER PUBLICATIONS

Extended European Search Report (Apr. 4, 2006).

(Continued)

Primary Examiner—T. Chase Nelson

Assistant Examiner—Anhdao Doan

(74) *Attorney, Agent, or Firm*—Stroock & Stroock & Lavan
LLP

FIG. 1 is a perspective view of a first embodiment of a sampling device in the open position constructed in accordance with the present invention;

FIG. 2 is an top view of the interior panel of the sampling device of FIG. 1 when the sampling device is in the open position;

FIG. 3 is a front view of the sampling device of FIG. 1 in the open position;

FIG. 4 is a side view of the sampling device of FIG. 1 in the open position;

FIG. 5 is a rear view of the sampling device of FIG. 1;

FIG. 6 is a bottom view of the sampling device of FIG. 1;

FIG. 7 is a top perspective view of the sampling device of FIG. 1 in the closed position;

FIG. 8 is a perspective view of a second embodiment of a sampling device in the open position constructed in accordance with the present invention;

The long broken lines in FIGS. 6 and 13 of the drawing represent perforation lines. All other broken lines in the drawings are included for the purpose of illustrating portions of the sampling device that form no part of the claimed design.

FIG. 9 is an top view of the interior panel of the sampling device of FIG. 8 when the sampling device is in the open position;

FIG. 10 is a front view of the sampling device of FIG. 8 in the open position;

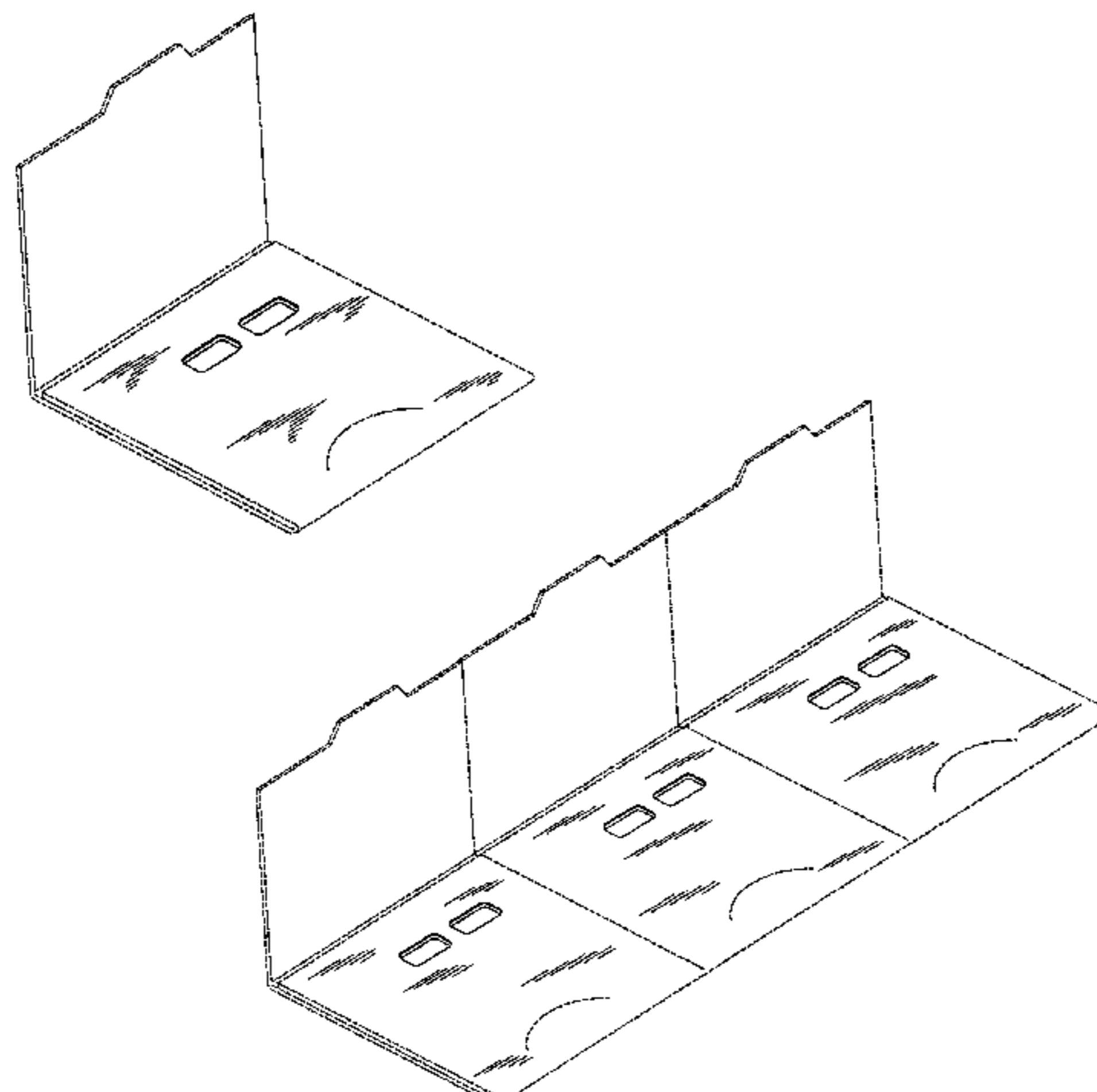
FIG. 11 is a side view of the sampling device of FIG. 8 in the open position;

FIG. 12 is a rear view of the sampling device of FIG. 8;

FIG. 13 is a bottom view of the sampling device of FIG. 8; and,

FIG. 14 is a top perspective view of the sampling device of FIG. 8 in the closed position.

1 Claim, 10 Drawing Sheets



US D598,121 S

Page 2

U.S. PATENT DOCUMENTS

3,996,006 A 12/1976 Pagano 23/253
4,112,165 A 9/1978 Russell 428/134
4,225,557 A 9/1980 Hartl et al. 422/56
4,259,964 A 4/1981 Levine 600/371
4,365,970 A 12/1982 Lawrence et al. 436/66
4,367,750 A 1/1983 Levine 600/371
4,420,353 A 12/1983 Levine 156/227
4,486,536 A 12/1984 Baker et al. 436/66
D281,903 S * 12/1985 Duffy D24/225
4,559,949 A 12/1985 Levine 600/371
4,645,743 A 2/1987 Baker et al. 436/66
4,789,629 A * 12/1988 Baker et al. 422/61
4,804,518 A 2/1989 Levine et al. 422/56
4,808,379 A 2/1989 Wardlaw et al. 422/56
5,064,766 A 11/1991 Wardlaw et al. 436/66
5,100,619 A 3/1992 Baker et al. 422/58
5,106,582 A 4/1992 Baker 422/58
5,150,971 A 9/1992 Strong et al. 383/84
5,171,529 A 12/1992 Schreiber 422/58
5,192,501 A 3/1993 Guadagno et al. 422/56
5,196,167 A 3/1993 Guadagno et al. 436/66
5,215,713 A 6/1993 Steinbiss et al. 422/61
5,217,874 A 6/1993 Guadagno et al. 435/28
5,264,181 A 11/1993 Schreiber 422/58
5,273,888 A * 12/1993 Guadagno 436/66

D351,475 S * 10/1994 Gerber D24/223
5,411,893 A * 5/1995 Eden et al. 422/58
D383,215 S * 9/1997 Levy D24/225
5,702,913 A 12/1997 Guadagno 435/28
5,747,344 A 5/1998 Cleator 436/66
5,747,351 A 5/1998 Hemmati 436/514
5,948,687 A 9/1999 Cleator 436/66
6,006,911 A * 12/1999 Levy 206/456
D423,110 S * 4/2000 Cipkowski D24/225
D430,303 S 8/2000 Cipkowski D24/225
6,221,678 B1 4/2001 Chandler 436/530
6,271,046 B1 8/2001 Chandler 436/530
6,436,714 B1 8/2002 Clawson et al. 436/66
7,189,356 B1 3/2007 Clawson 422/56
7,288,413 B2 * 10/2007 Goulden 436/66
2004/0053417 A1 * 3/2004 Sinsky et al. 436/164

FOREIGN PATENT DOCUMENTS

WO WO 90/03927 4/1990
WO WO 90/13819 11/1990
WO WO 00/54029 9/2000

OTHER PUBLICATIONS

Website: www.insuretest.com, undated.

* cited by examiner

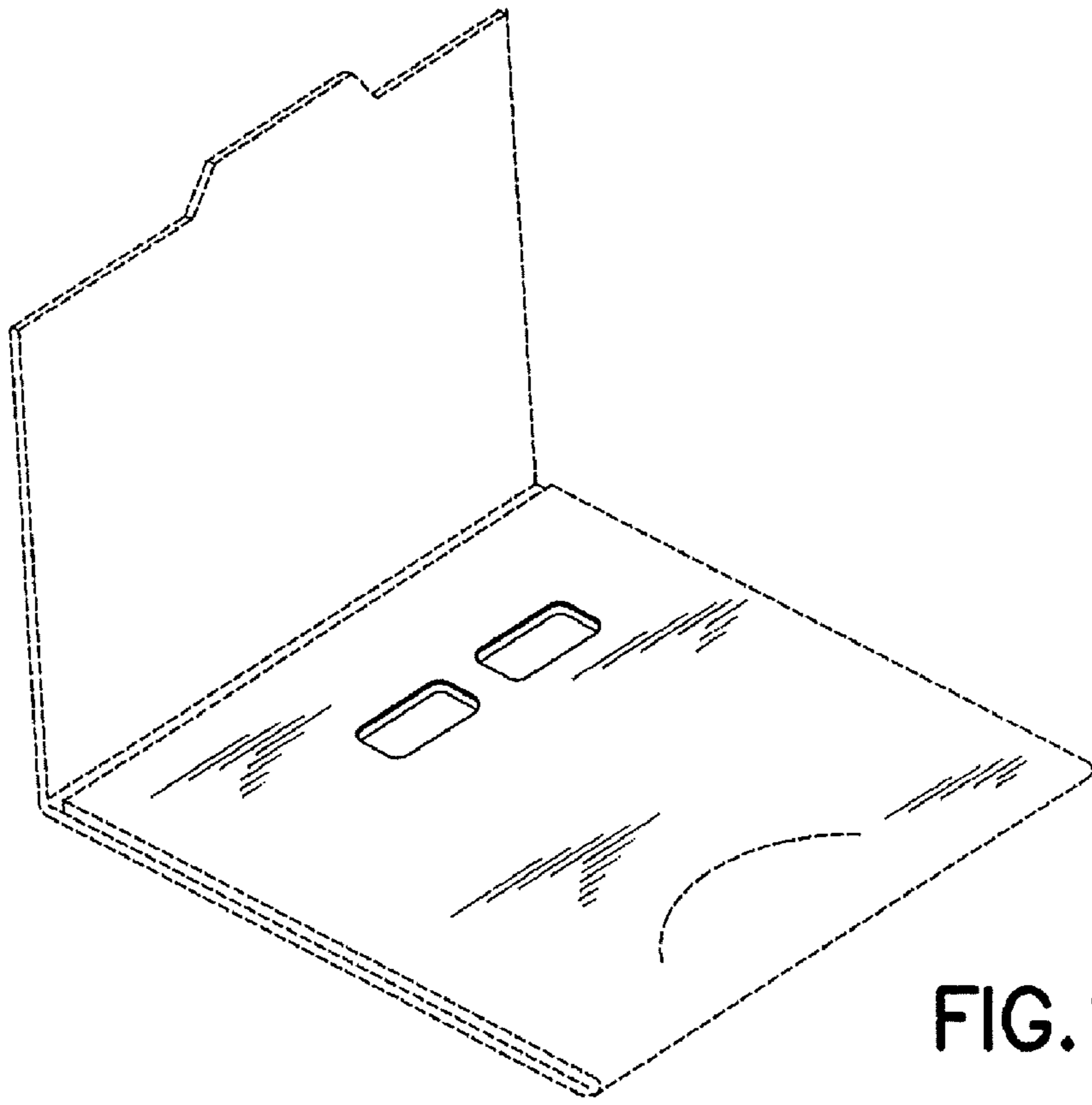


FIG. 1

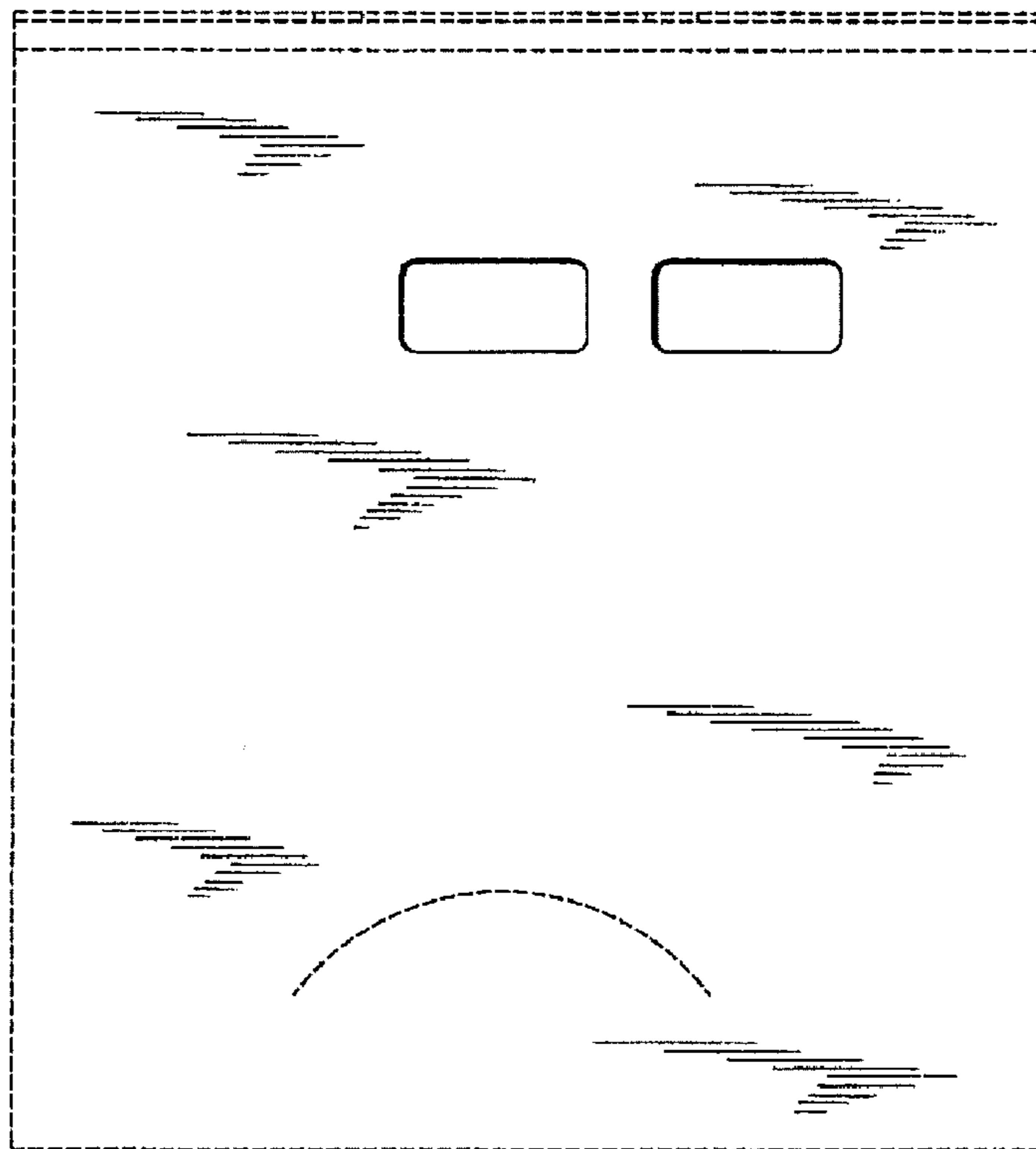


FIG. 2

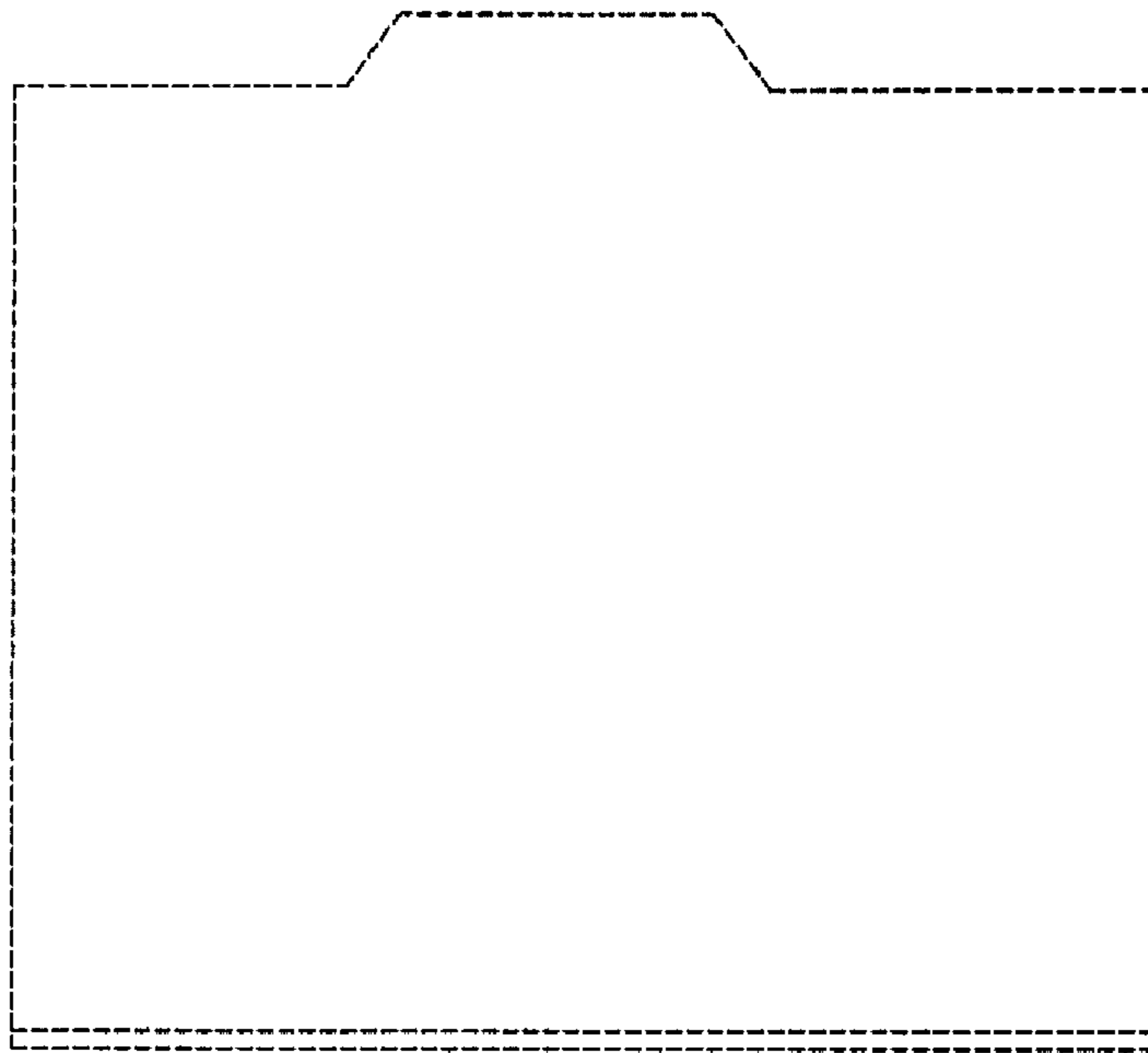


FIG.3



FIG.4

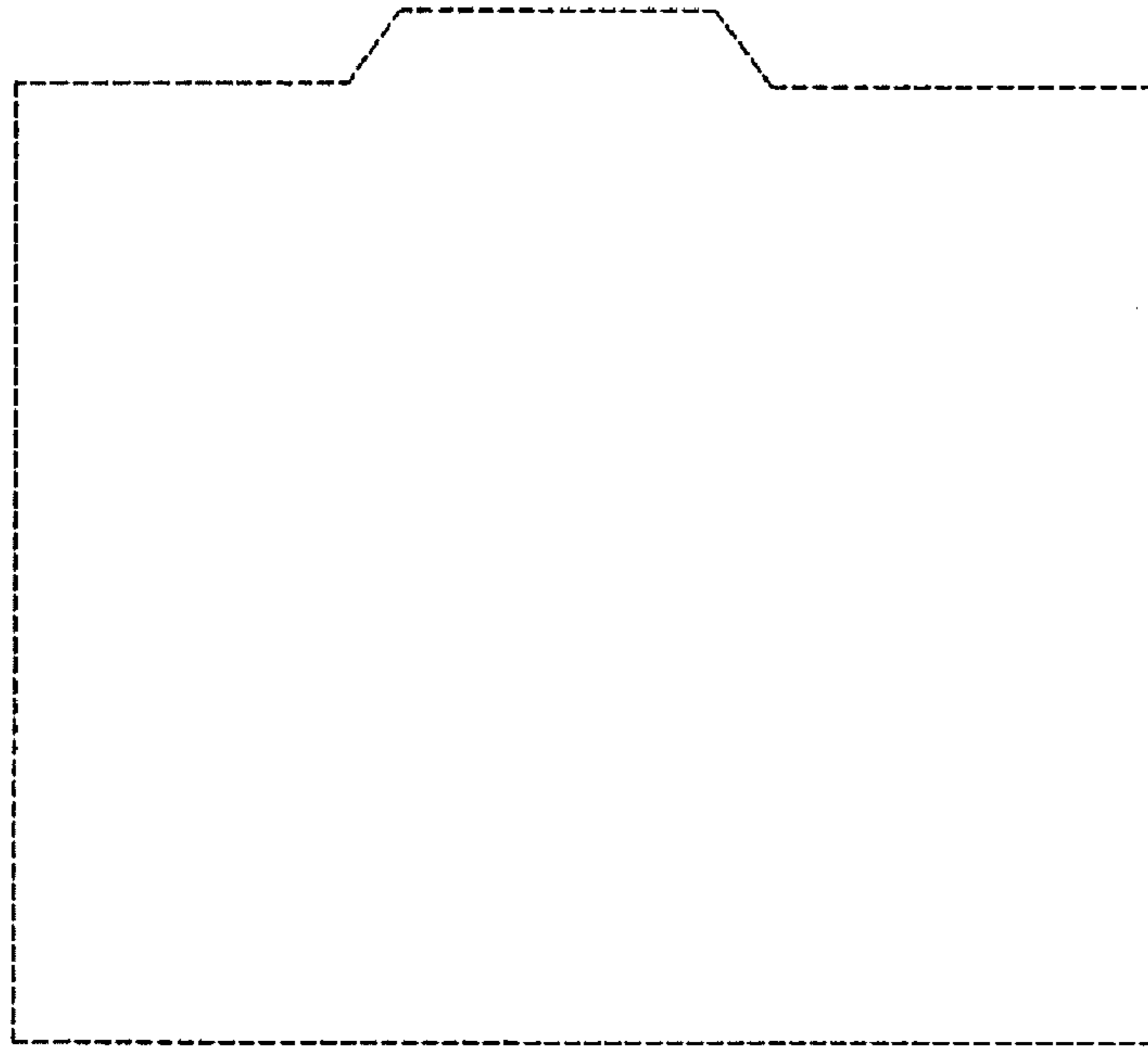


FIG. 5

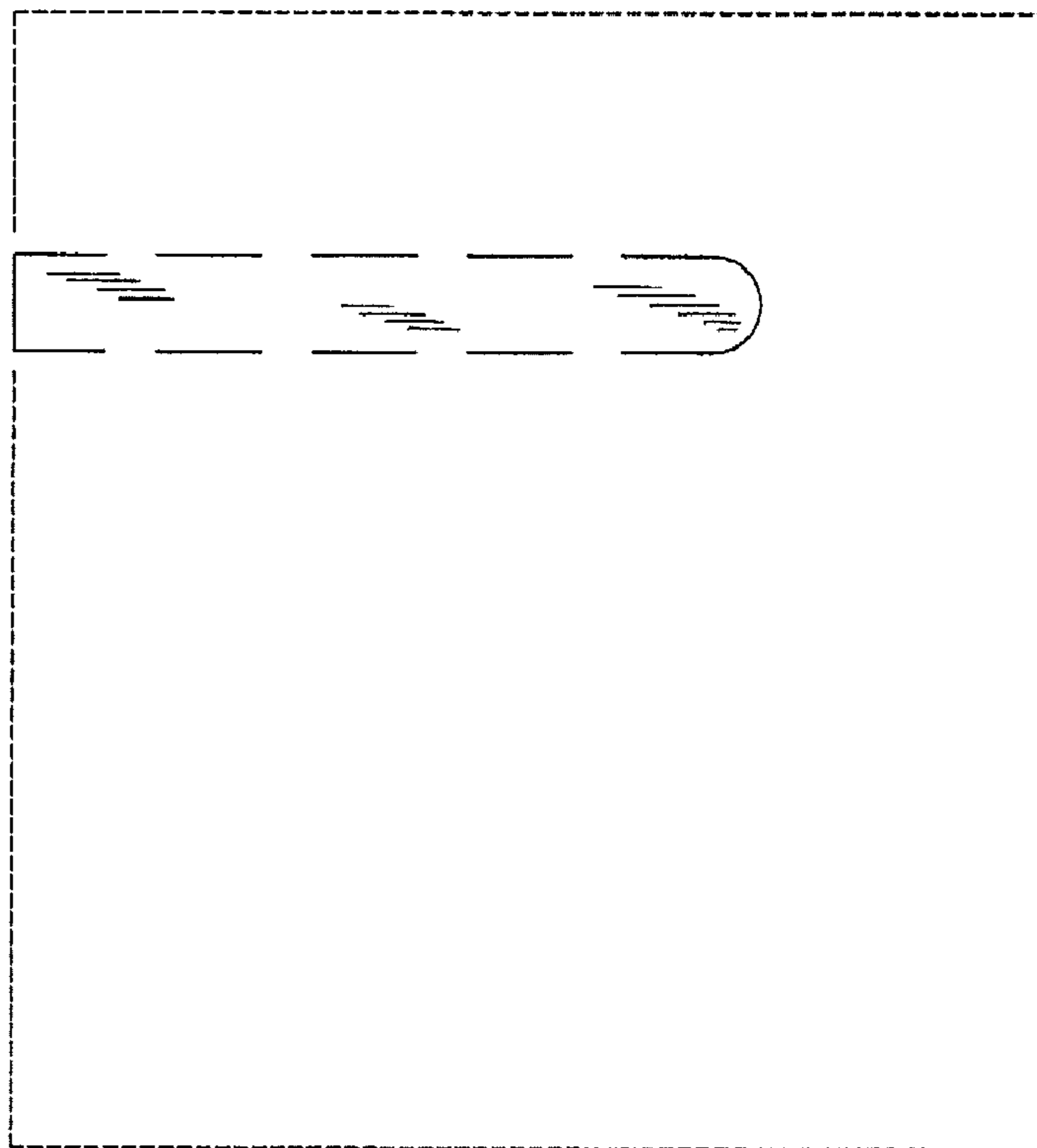


FIG. 6

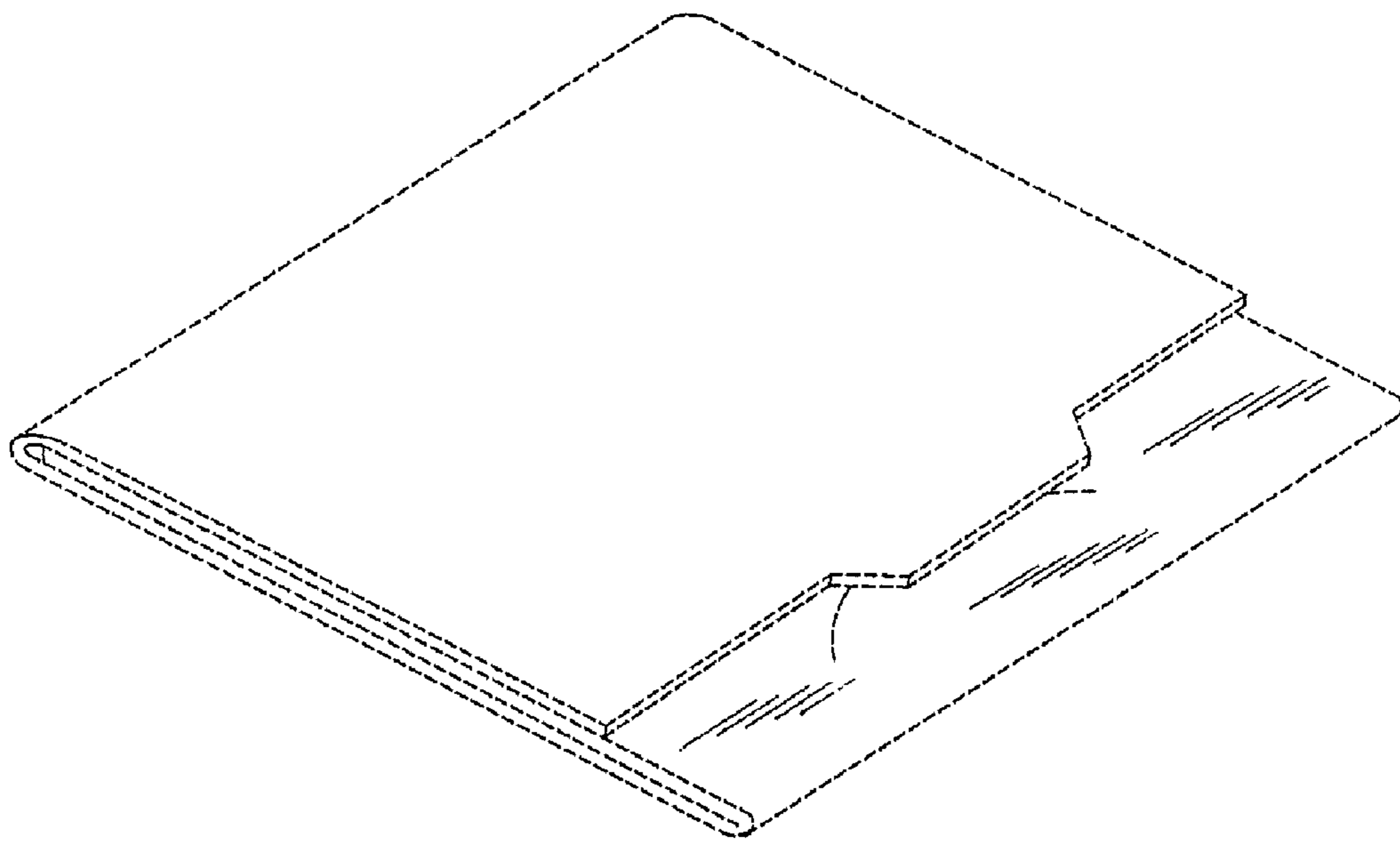


FIG.7

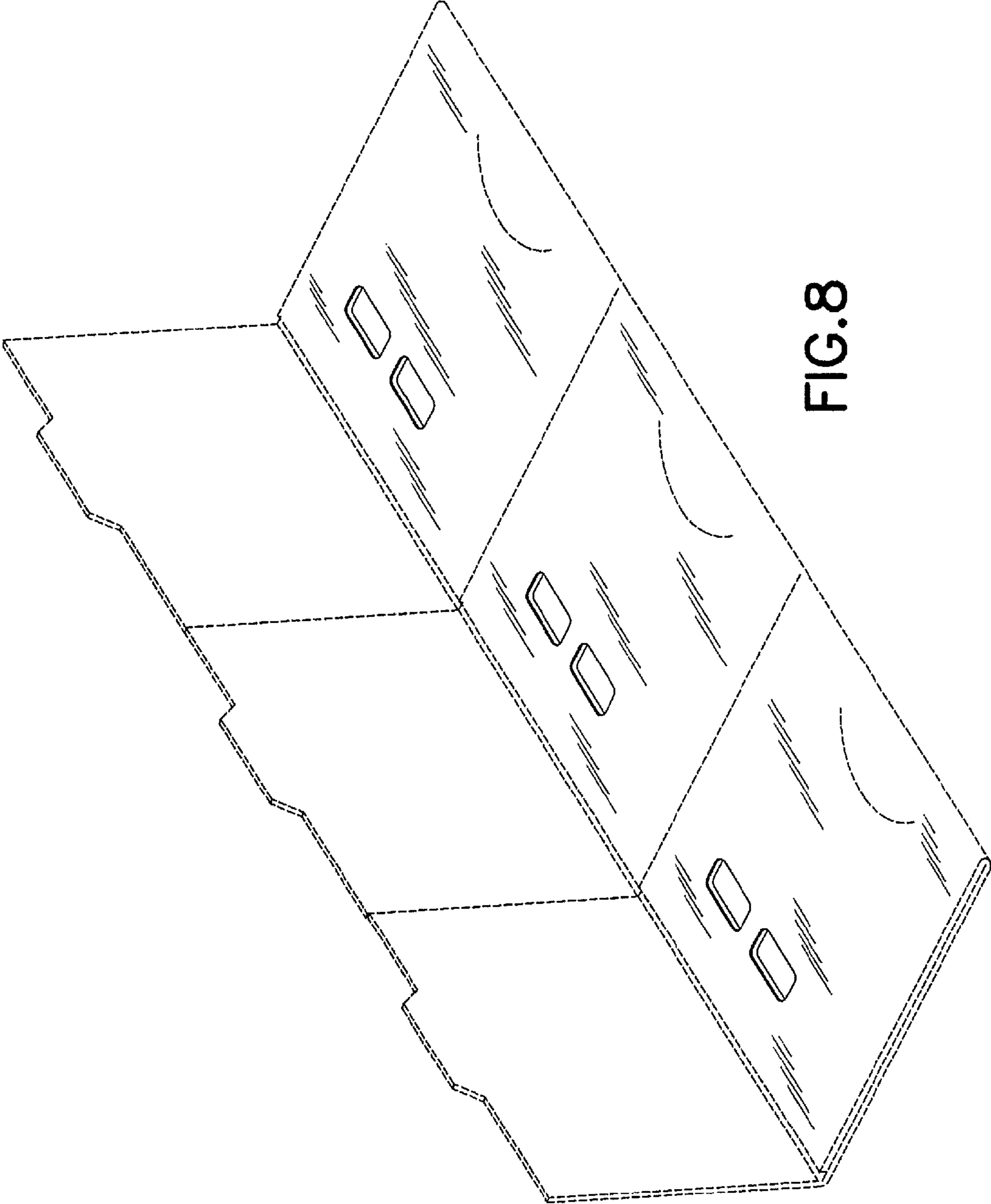


FIG.8

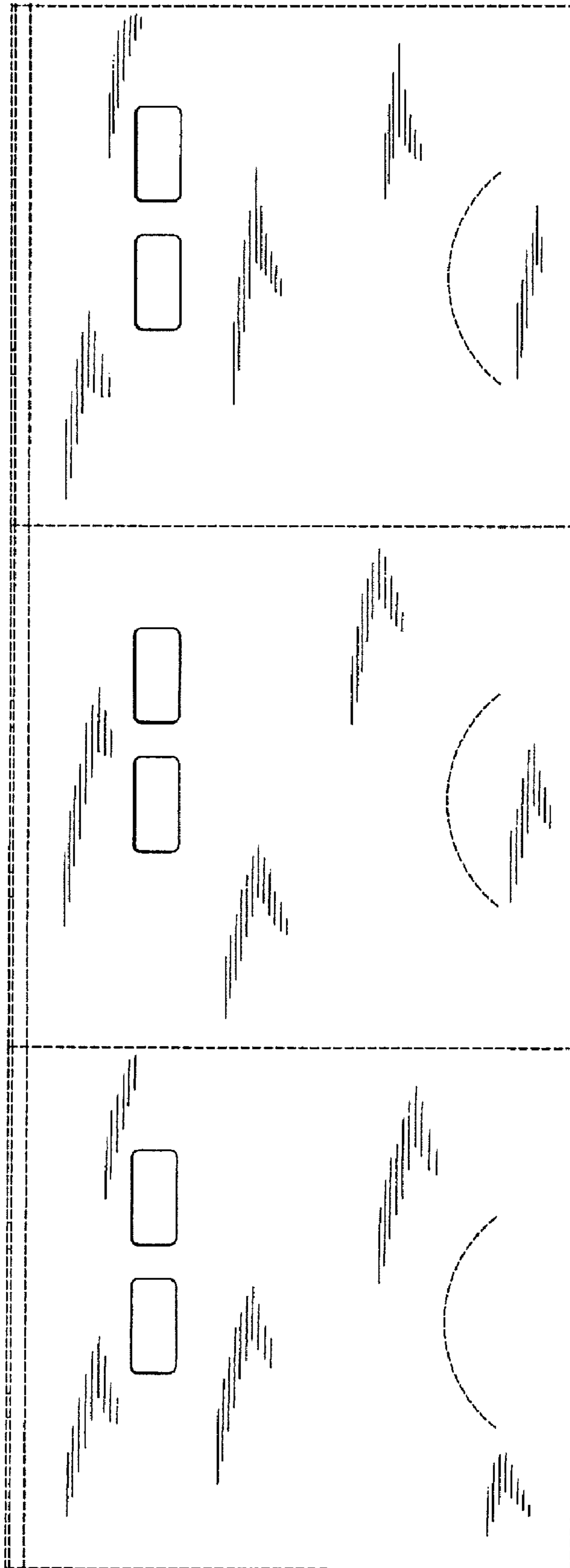


FIG.9

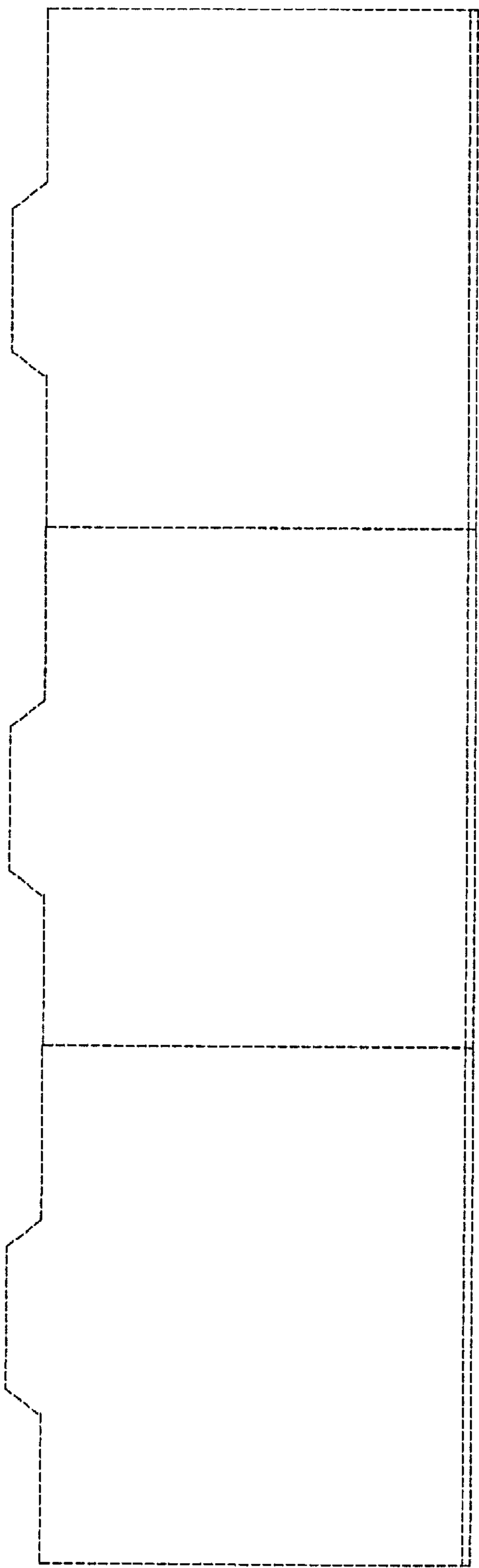


FIG. 10



FIG. 11

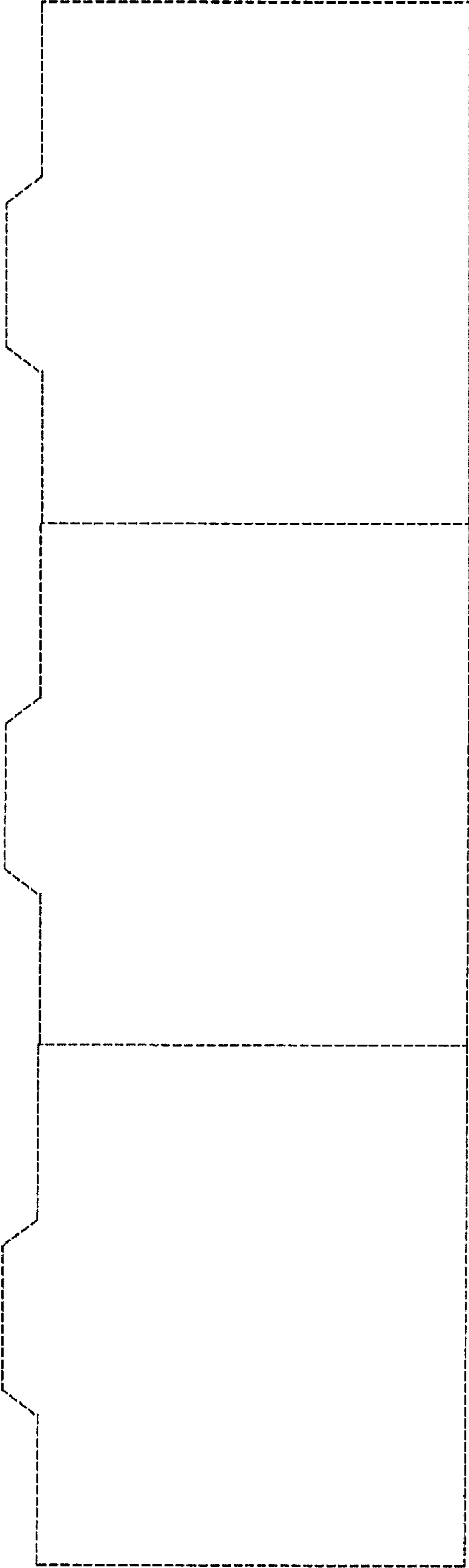


FIG.12

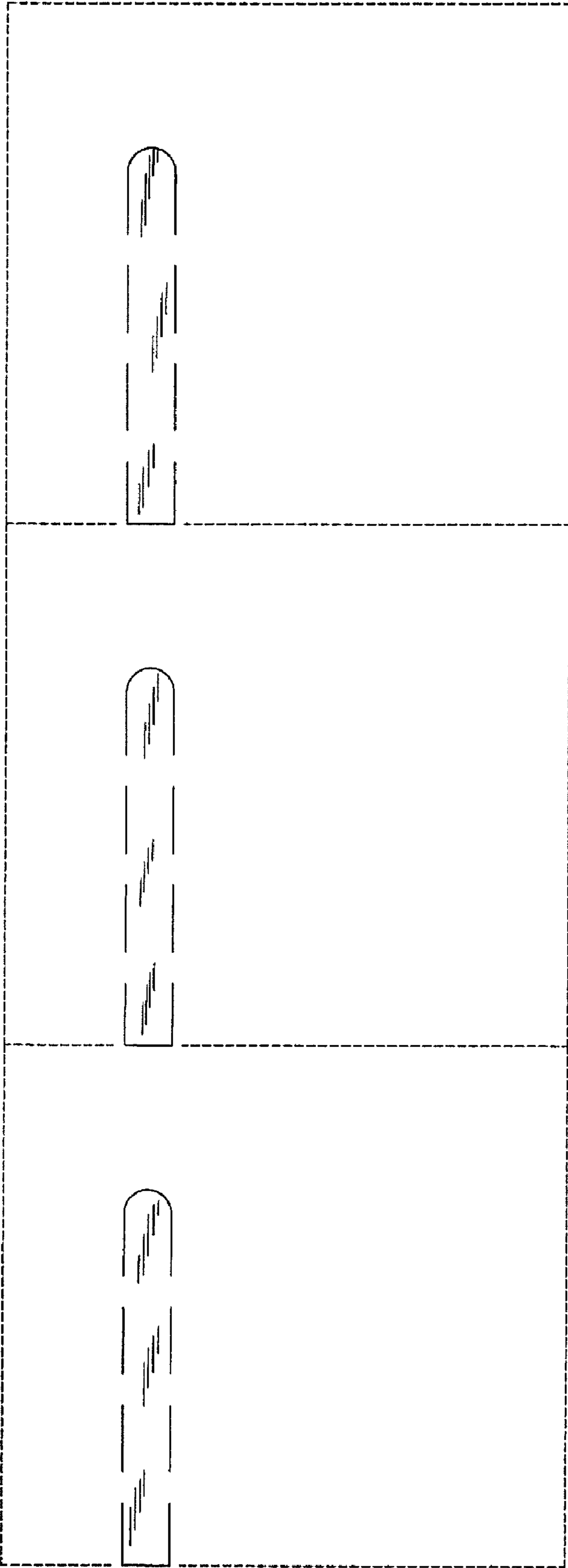


FIG.13

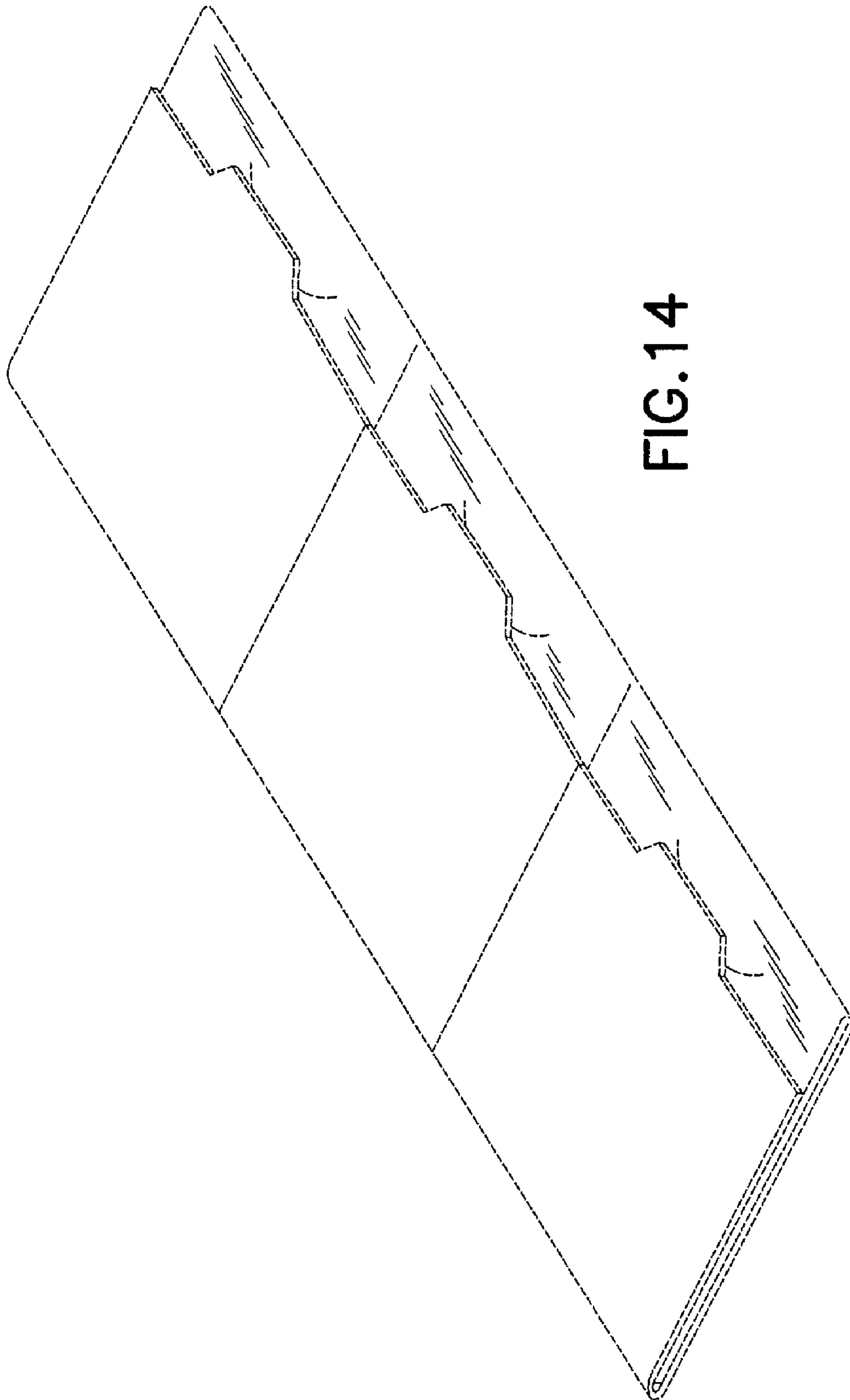


FIG. 14

UNITED STATES PATENT AND TRADEMARK OFFICE
CERTIFICATE OF CORRECTION

PATENT NO. : Des. 598,121 S
APPLICATION NO. : 29/296977
DATED : August 11, 2009
INVENTOR(S) : Vincent LaStella

Page 1 of 1

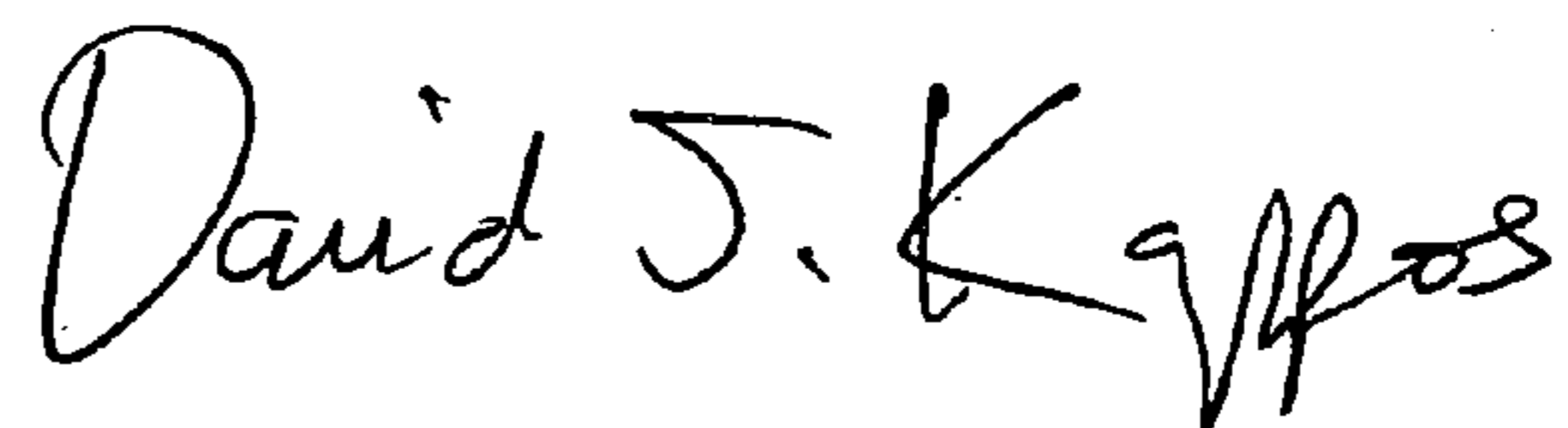
It is certified that error appears in the above-identified patent and that said Letters Patent is hereby corrected as shown below:

Title Page:

Item [63], RELATED U.S. APPLICATION DATA, correct the filing date of priority application No. 11/137,817 from "Jul. 22, 2004" to --May 24, 2005--.

Signed and Sealed this

Twenty-ninth Day of September, 2009



David J. Kappos
Director of the United States Patent and Trademark Office